



PARTS CATALOGUE

WR450F (DP01) EUROPE



31DP0-300E1

()

WR450F
PARTS CATALOGUE
©2025 by Yamaha Motor Co., Ltd.
1st edition, September 2025
All rights reserved.
Any reprinting or unauthorized use
without the written permission of
Yamaha Motor Co., Ltd.
is expressly prohibited.
Printed in Japan.

FOREWORD

This Parts Catalogue is related to the parts for the model(s) on the cover page. When you are ordering replacement parts, please refer to this Parts Catalogue and quote both part numbers and part names correctly.

1. Modifications or additions which have been made after the issue of the Parts Catalogue will be announced in the Parts News.
It is advisable that you make the necessary corrections to the Parts Catalogue according to the Parts News.

2. Abbreviations

The following abbreviations are used in this Parts Catalogue.

“UR” Use specified parts number.

“UN” Use as many as needed.

“AP” Alternate Parts

“LM” Locally Made (Parts need to be ordered locally)

“F#” Frame No. (Applicable machine No.)

“O/S” Over Size

3. The number of components for assembly

- Parts, which are to be supplied in an assembly, are listed with a dot (.) in front of the part name as shown below.
- The numeral appearing to the right of each component part indicates the quantity of parts for each assembly unit.

PART NO.	DESCRIPTION	Q'TY	REMARKS
2F5-83310-60	FRONT FLASHER LIGHT ASSY	2	
115-83311-60	.BULB (6V-18W)	1	

4. Applicable colours of graphics are represented in the “REMARKS” as shown below.

PART NO.	DESCRIPTION	Q'TY	REMARKS
2N4-24110-00-X5	FUEL TANK COMP.	2	MXR
3J1-24240-10	.GRAPHIC, FUEL TANK	1	FOR MXR

5. Note that the illustrations for reference in finding parts numbers are not to be used for assembling. When assembling, please use the applicable service manual.

6. The asterisk (*) before a reference number indicates modified items after the first edition.

CONTENTS

SCHEDULED SERVICE PARTS.....	1
MAINTENANCE PARTS KIT.....	2
PISTON REBUILT KIT.....	5

ENGINE

CYLINDER.....	6
CRANKSHAFT & PISTON.....	8
VALVE.....	9
CAMSHAFT & CHAIN.....	11
WATER PUMP.....	12
RADIATOR & HOSE.....	13
OIL PUMP.....	14
OIL CLEANER.....	15
INTAKE.....	16
INTAKE 2.....	17
AIR INDUCTION SYSTEM.....	18
EXHAUST.....	19
CRANKCASE.....	21
CRANKCASE COVER 1.....	23
STARTER CLUTCH.....	24
CLUTCH.....	25
TRANSMISSION.....	27
SHIFT CAM & FORK.....	29
SHIFT SHAFT.....	30

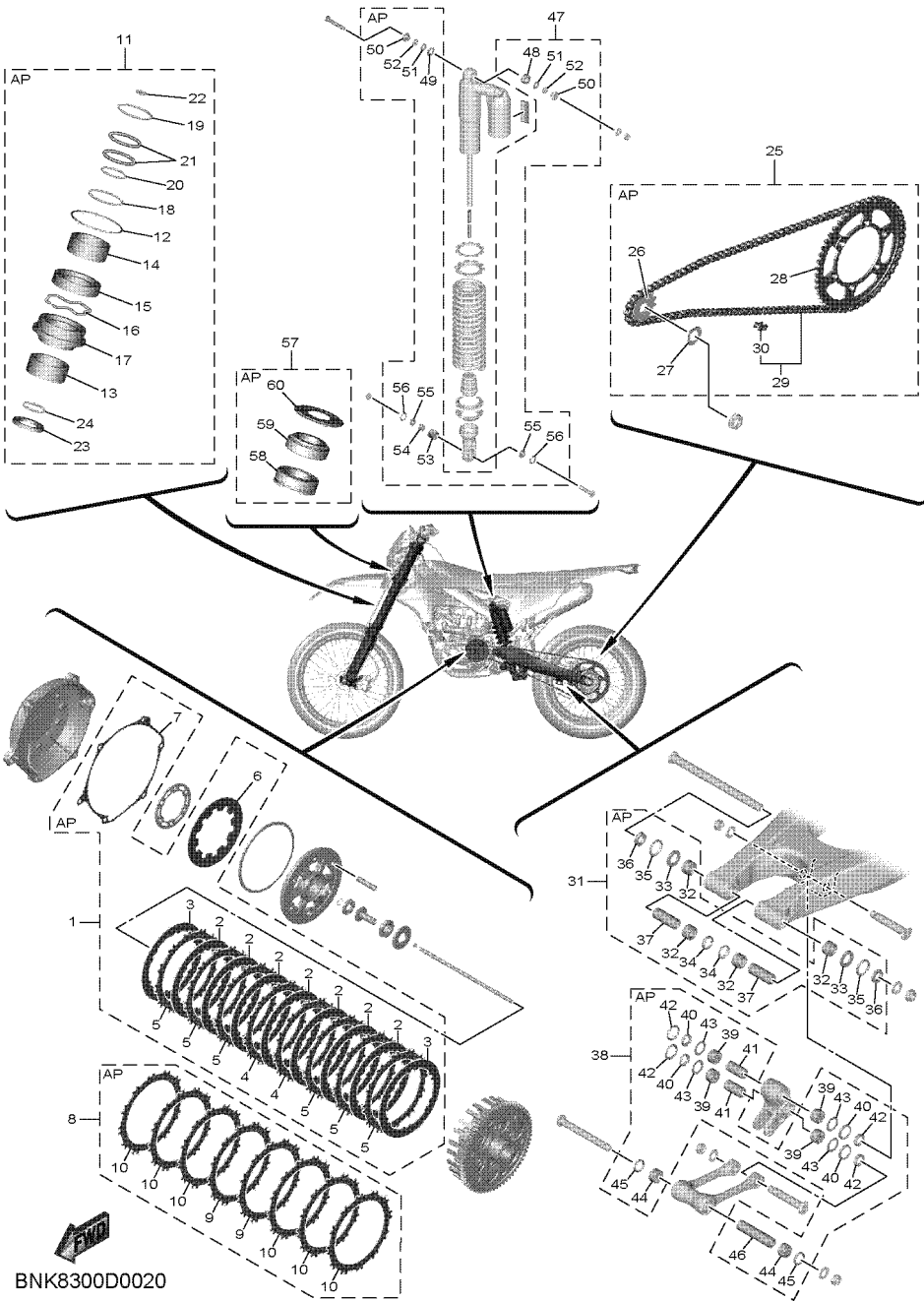
CHASSIS

FRAME.....	31
FENDER.....	33
SIDE COVER.....	34
REAR ARM.....	36
REAR SUSPENSION.....	38
STEERING.....	39
FRONT FORK.....	40
FUEL TANK.....	43
SEAT.....	44
FRONT WHEEL.....	45
FRONT BRAKE CALIPER.....	46
REAR WHEEL.....	47
REAR BRAKE CALIPER.....	49
STEERING HANDLE & CABLE.....	50

FRONT MASTER CYLINDER.....	51
STAND & FOOTREST.....	52
REAR MASTER CYLINDER.....	53
GENERATOR.....	54
STARTING MOTOR.....	55
METER.....	56
HEADLIGHT.....	57
TAILLIGHT.....	58
HANDLE SWITCH & LEVER.....	59
ELECTRICAL 1.....	60
ELECTRICAL 2.....	61
ALTERNATE FOR CHASSIS.....	63

INDEX

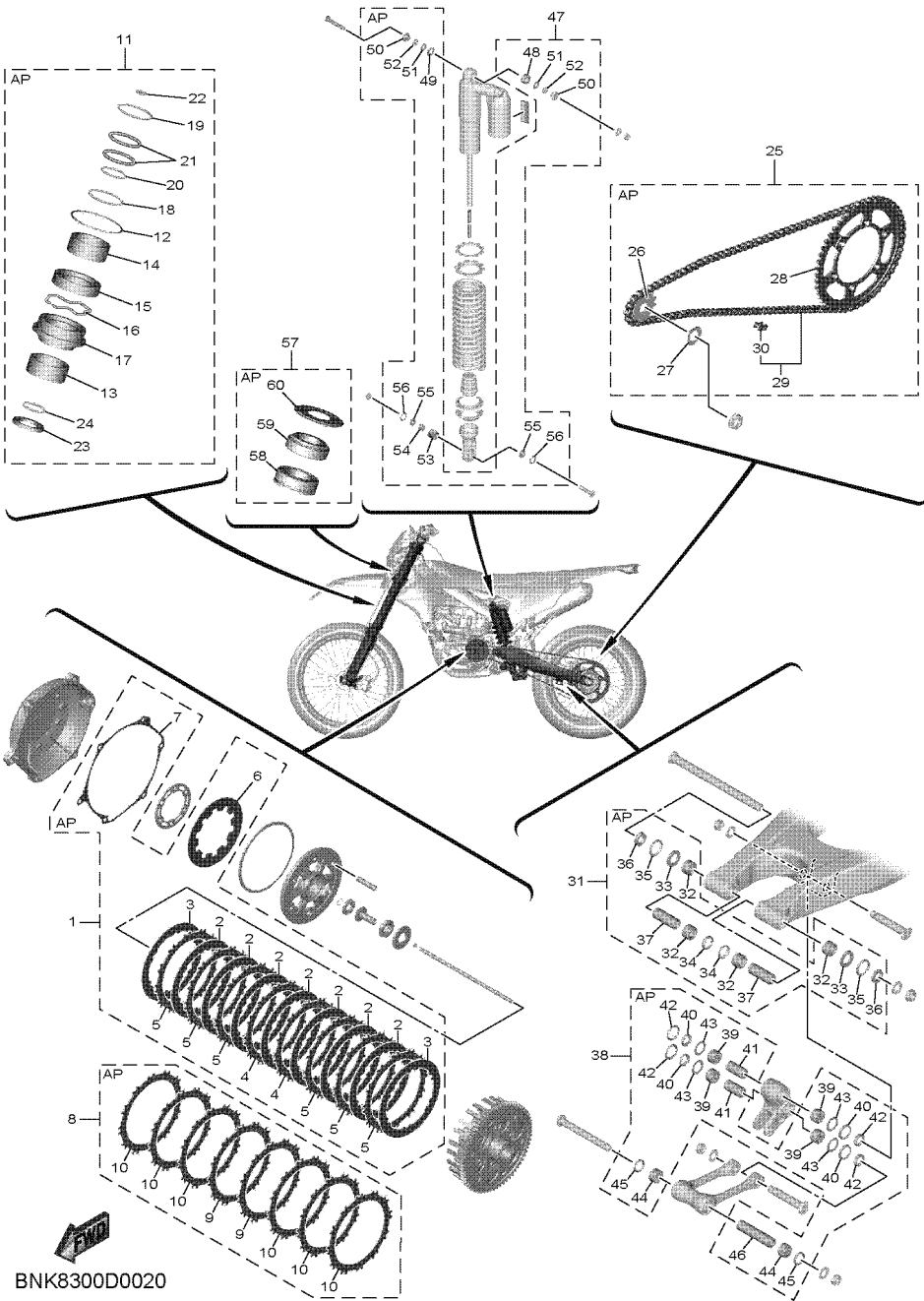
NUMERICAL INDEX.....	64
----------------------	----



BNK8300D0020

FIG. 2 MAINTENANCE PARTS KIT

REF. NO.	PART NO.	DESCRIPTION	DP01				REMARKS
1	BNK-W001G-00	CLUTCH PLATE KIT	1				AP
2	BHR-16324-00	.PLATE, CLUTCH 1	7				
3	BHR-16325-00	.PLATE, CLUTCH 2	2				
4	BNK-16321-00	.PLATE, FRICTION	2				
5	BNK-16330-00	.PLATE, FRICTION 2	6				
6	BHR-16334-00	.SPRING, CLUTCH 2	1				
7	BHR-15453-00	.GASKET	1				
8	BNK-W001M-00	FRICTION PLATE KIT	1				AP
9	BNK-16321-00	.PLATE, FRICTION	2				
10	BNK-16330-00	.PLATE, FRICTION 2	6				
11	BHR-W003B-00	FORK SEALS KIT	1				AP
12	17D-23153-00	.RING, SNAP	1				
13	5XE-23171-L0	.PISTON, FRONT FORK	1				
14	5XE-23125-L0	.METAL, SLIDE 1	1				
15	B29-23145-00	.OIL SEAL	1				
16	5XE-23153-L0	.RING, SNAP	1				
17	BHR-23144-00	.SEAL, DUST	1				
18	1C3-23147-L1	.O-RING	1				
19	1C3-23188-L2	.O-RING	1				
20	1C3-23188-P0	.O-RING	1				
21	1AE-23147-01	.O-RING	2				
22	1C3-23188-R1	.O-RING	1				
23	2HH-23158-L0	.GASKET	1				
24	276-23114-02	.GASKET	1				
25	BDB-W001A-00	CHAIN & SPROCKET KIT	1				AP
26	9383E-13233	.SPROCKET, DRIVE (13T)	1				
27	90215-21003	.WASHER, LOCK	1				



BNK8300D0020

FIG. 2 MAINTENANCE PARTS KIT

REF. NO.	PART NO.	DESCRIPTION	DP01				REMARKS
28	5TJ-25450-80	.SPROCKET, DRIVEN (50T)	1				
29	9Y582-50113	.CHAIN(DID520MXV5-114LL)	1				
30	94682-50021	..JOINT, CHAIN(DID520MXV5 ZJ)	1				
31	BR9-W002C-00	SWING ARM PIVOT BEARING KIT	1				AP
32	93317-22262	.BEARING	4				
33	93342-22217	.BEARING	2				
34	93106-22002	.OIL SEAL	2				
35	93109-28043	.OIL SEAL	2				
36	90387-17019	.COLLAR	2				
37	90387-1714S	.COLLAR	2				
38	33D-W002E-00	SHOCK LINKAGE BEARING KIT	1				AP
39	93315-32166	.BEARING	4				
40	93109-25001	.OIL SEAL	4				
41	90387-16026	.COLLAR	2				
42	90209-16011	.WASHER	4				
43	90201-21014	.WASHER, PLATE	4				
44	93315-32166	.BEARING	2				
45	93109-21001	.OIL SEAL	2				
46	90387-14016	.COLLAR	1				
47	1SS-W002G-00	SHOCK BEARING KIT	1				AP
48	4JX-22226-00	.BUSH, SHOCK ABSORBER LOWER	1				
49	5DH-23183-00	.CIRCLIP	1				
50	1C3-22253-50	.COLLAR, DISTANCE	2				
51	3JE-22475-00	.SEAL, DUST	2				
52	4EW-22474-00	.SEAL, RING	2				
53	5UN-22176-00	.BEARING	1				
54	5MV-22184-00	.BUSH	1				

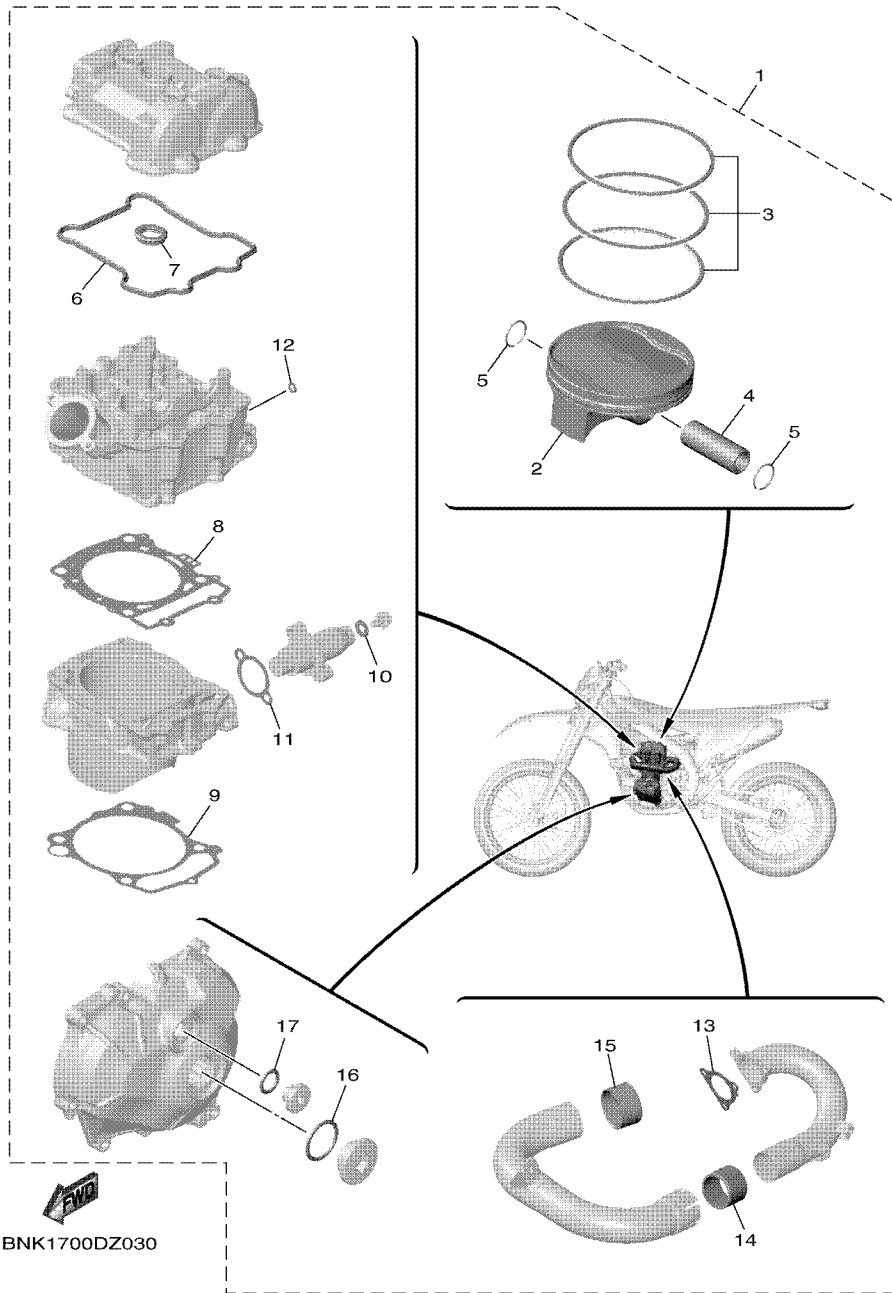
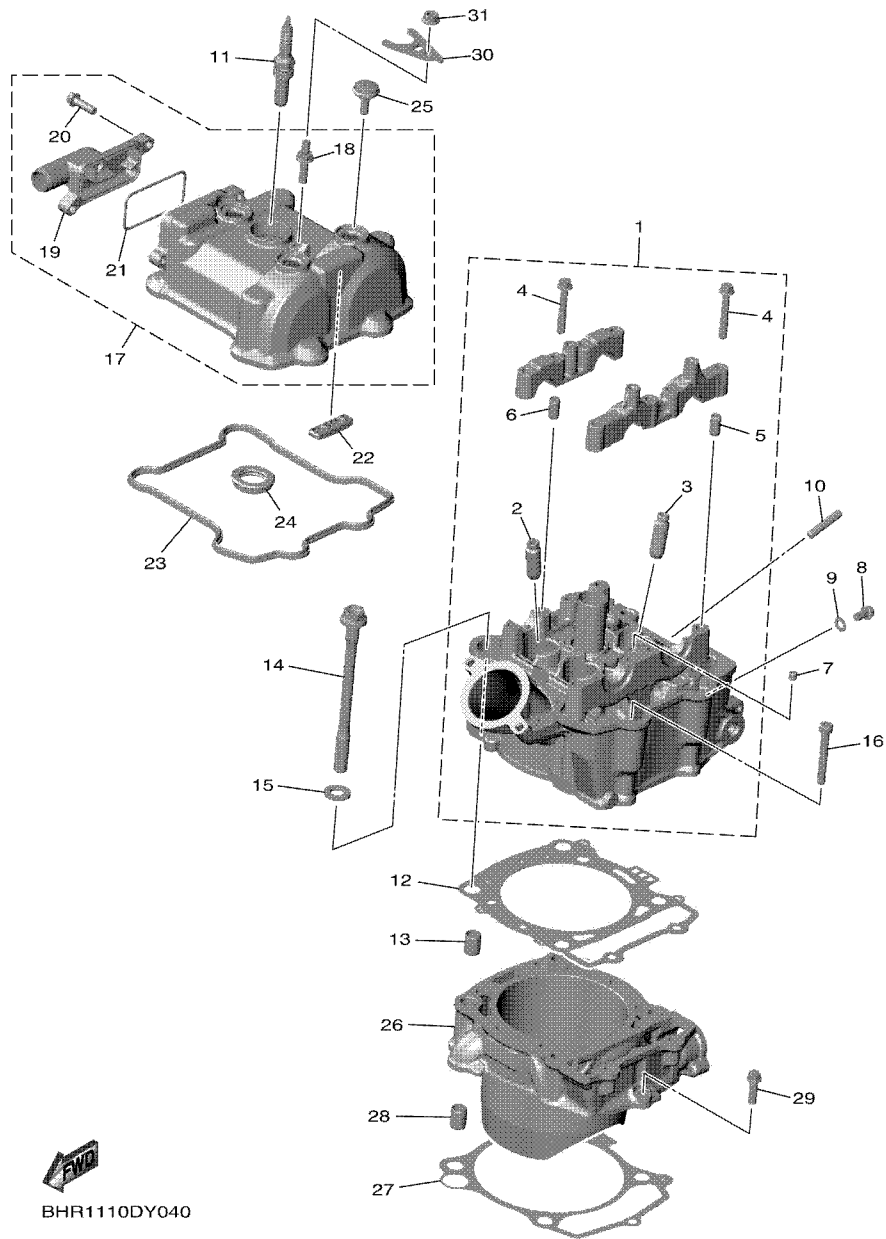


FIG. 3 PISTON REBUILT KIT

REF. NO.	PART NO.	DESCRIPTION	DP01				REMARKS
1	BHR-WB033-00	PISTON REBUILT KIT	1				AP
2	BHR-11631-00	.PISTON (STD)	1				
3	B2W-11603-00	.PISTON RING SET (STD)	1				
4	BR9-11633-10	.PIN, PISTON	1				
5	93450-19052	.CIRCLIP	2				
6	BHR-11193-00	.GASKET, HEAD COVER 1	1				
7	1SM-11194-00	.GASKET, HEAD COVER 2	1				
8	BHR-11181-00	.GASKET, CYLINDER HEAD 1	1				
9	BHR-11351-00	.GASKET, CYLINDER	1				
10	5SL-12214-00	.GASKET	1				
11	4FM-12213-00	.GASKET, TENSIONER CASE	1				
12	90430-06014	.GASKET	1				
13	33D-14613-00	.GASKET, EXHAUST PIPE	1				
14	5XD-14714-00	.GASKET, MUFFLER	1				
15	1SL-14714-00	.GASKET, MUFFLER	1				
16	93210-27370	.O-RING	1				
17	93210-14369	.O-RING	1				



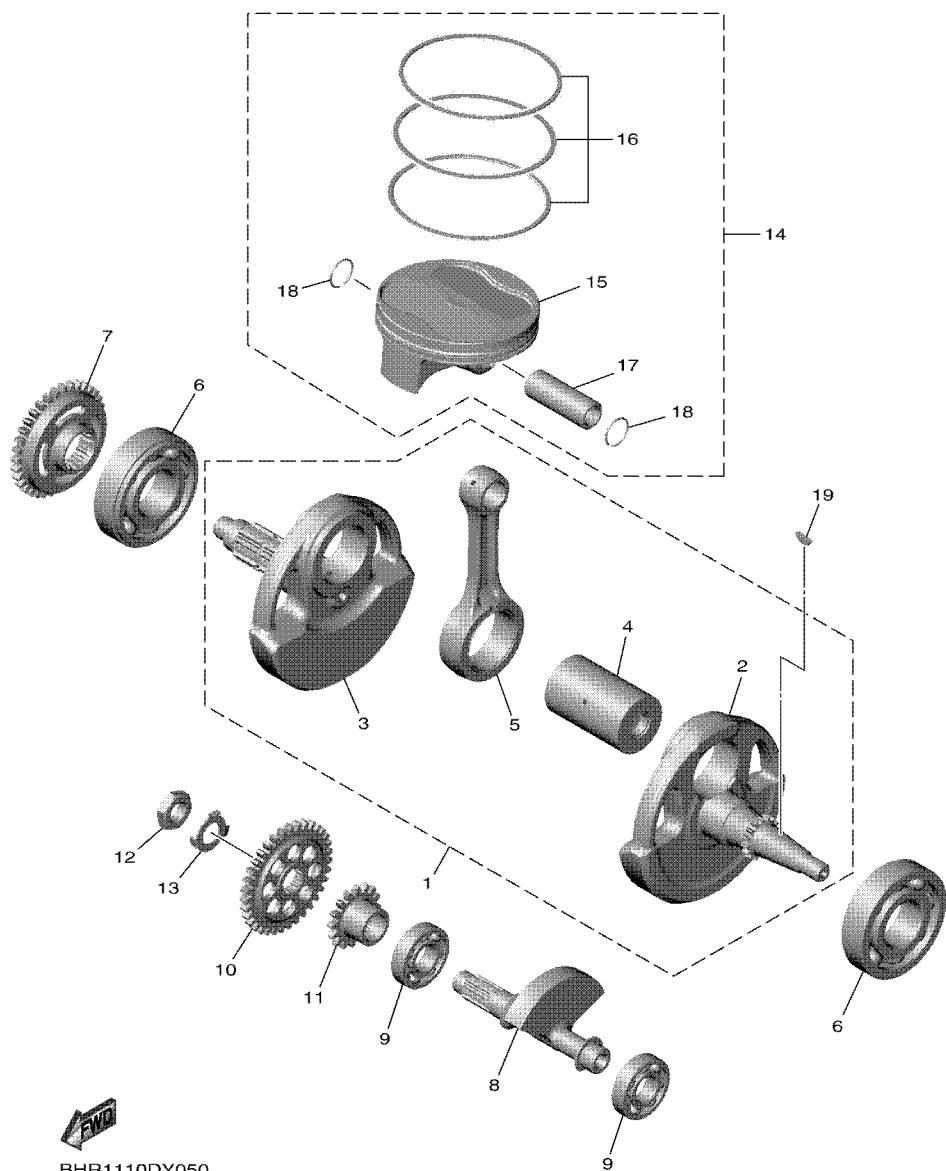
BHR1110DY040

FIG. 4 CYLINDER

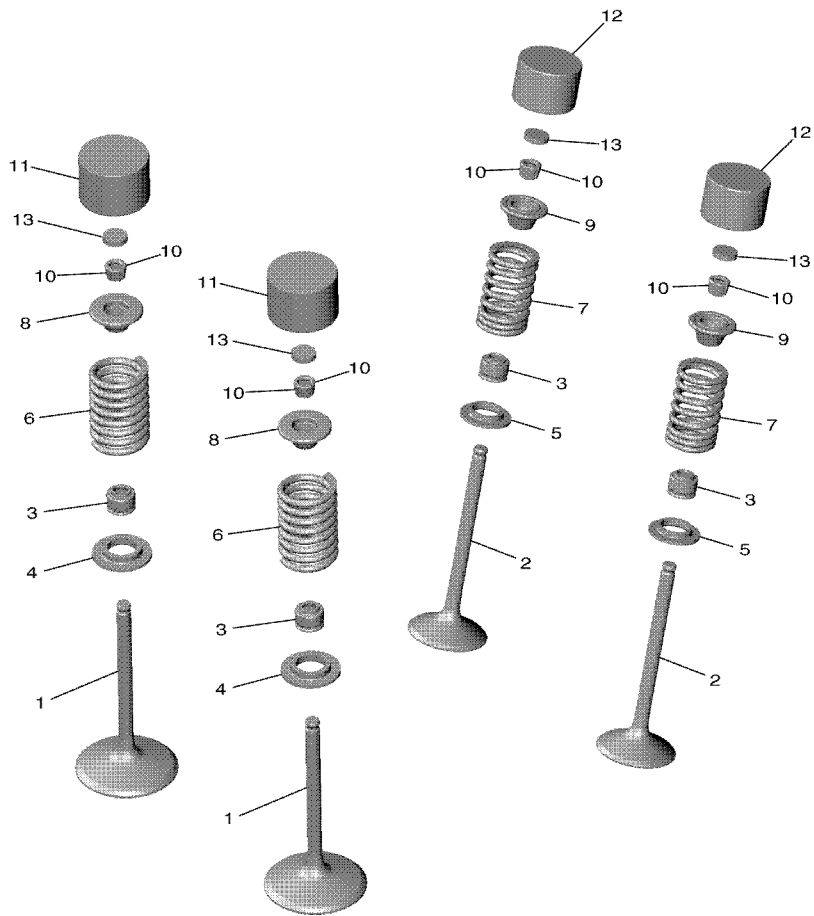
REF. NO.	PART NO.	DESCRIPTION	DP01				REMARKS
1	BHR-11102-00	CYLINDER HEAD ASSY	1				
2	B2W-11133-10	.GUIDE, VALVE 1	2				
3	5PS-11134-10	.GUIDE, VALVE 2	2				
4	90105-06027	.BOLT, FLANGE	8				
5	91808-16023	.PIN, DOWEL	2				
6	91808-16023	.PIN, DOWEL	2				
7	BHR-15138-00	NOZZLE 1	1				
8	90105-06227	BOLT, FLANGE	2				
9	90430-06014	GASKET	2				
10	90116-06037	BOLT, STUD	3				
11	94701-00434	PLUG, SPARK (NGK LMAR8G)	1				
12	BHR-11181-00	GASKET, CYLINDER HEAD 1	1				
13	93612-16254	PIN, DOWEL	2				
14	90105-10494	BOLT, FLANGE	4				
15	90201-10025	WASHER, PLATE	4				
16	90110-06176	BOLT, HEXAGON SOCKET HEAD	2				
17	BHR-11190-00	COVER, CYLINDER HEAD 1	1				PBMR
18	90116-06048	.BOLT, STUD	1				
19	BDB-11168-00	.COVER, BREATHER	1				
20	90105-06225	.BOLT, FLANGE	2				
21	B2W-11169-00	.GASKET, BREATHER COVER	1				
22	B2W-12241-00	GUIDE, STOPPER 2	1				
23	BHR-11193-00	GASKET, HEAD COVER 1	1				
24	1SM-11194-00	GASKET, HEAD COVER 2	1				
25	5UM-1119E-00	BOLT, COVER HEAD	3				
26	BHR-11311-00	CYLINDER 1	1				
27	BHR-11351-00	GASKET, CYLINDER	1				

FIG. 5 CRANKSHAFT & PISTON

REF. NO.	PART NO.	DESCRIPTION	DP01				REMARKS
1	BHR-11400-00	CRANKSHAFT ASSY	1				
2	BHR-11412-00	.CRANK 1	1				
3	BHR-11422-00	.CRANK 2	1				
4	BHR-11681-00	.PIN, CRANK 1	1				
5	BHR-11650-00	.CONNECTING ROD ASSY	1				
6	93306-30647	BEARING	2				
7	BHR-11536-01	GEAR, DRIVE	1				
8	BHR-11454-00	WEIGHT 1	1				
9	93306-20351	BEARING	2				
10	BHR-11531-00	GEAR, BALANCE WEIGHT	1				
11	BHR-13301-00	GEAR,OIL PUMP DRIVE SHAFT	1				
12	90170-14171	NUT	1				
13	90215-14004	WASHER, LOCK	1				
14	BHR-116A0-00	PISTON ASSY	1				
15	BHR-11631-00	.PISTON (STD)	1				
16	B2W-11603-00	.PISTON RING SET (STD)	1				
17	BR9-11633-10	.PIN, PISTON	1				
18	93450-19052	.CIRCLIP	2				
19	90280-03006	KEY, WOODRUFF	1				



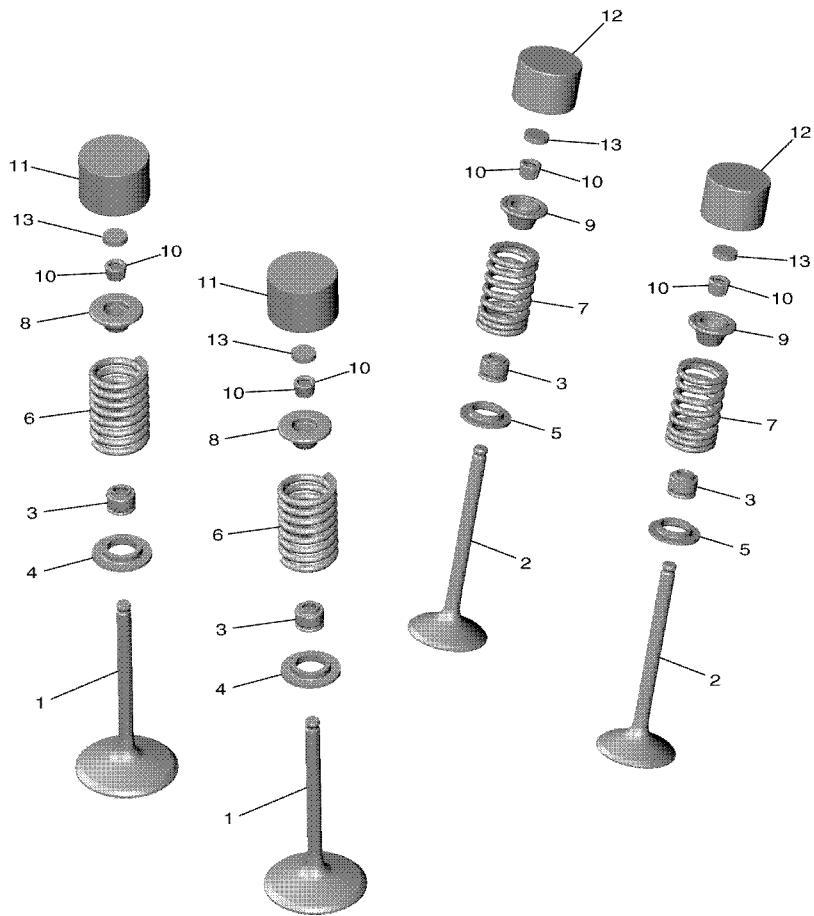
BHR1110DY050



BHR1110DY060

FIG. 6 VALVE

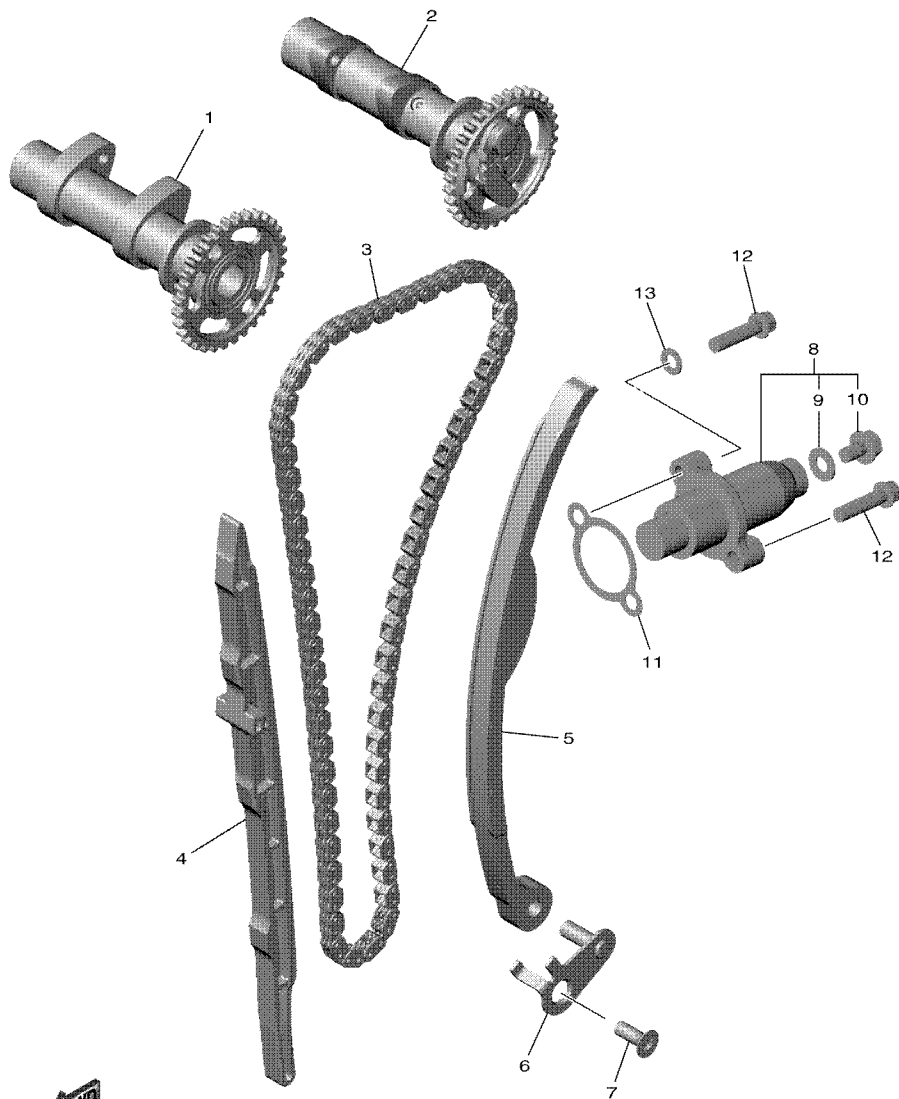
REF. NO.	PART NO.	DESCRIPTION	DP01				REMARKS
1	BHR-12111-00	VALVE, INTAKE	2				
2	BHR-12121-00	VALVE, EXHAUST	2				
3	51Y-12119-00	SEAL, VALVE STEM	4				
4	33D-12116-00	SEAT, VALVE SPRING	2				
5	33D-12126-00	SEAT, VALVE SPRING 2	2				
6	B2W-12113-00	SPRING, VALVE INNER	2				
7	BHR-12114-00	SPRING, VALVE OUTER	2				
8	33D-12117-00	RETAINER, VALVE SPRING	2				
9	3LD-12117-00	RETAINER, VALVE SPRING	2				
10	3LD-12118-00	LOCK, VALVE SPRING RETAINER	8				
11	BR9-12153-00	LIFTER, VALVE	2				STD
12	B7M-12153-10	LIFTER, VALVE	2				STD WHITE
13	3LD-12168-00	PAD, ADJUSTING (1.20)	4				UR
	3LD-12168-20	PAD, ADJUSTING (1.25)	4				UR
	3LD-12168-40	PAD, ADJUSTING (1.30)	4				UR
	3LD-12168-60	PAD, ADJUSTING (1.35)	4				UR
	3LD-12168-80	PAD, ADJUSTING (1.40)	4				UR
	3LD-12168-A0	PAD, ADJUSTING (1.45)	4				UR
	3LD-12168-F0	PAD, ADJUSTING (1.50)	4				UR
	3LD-12168-H1	PAD, ADJUSTING (1.55)	4				UR
	3LD-12168-K1	PAD, ADJUSTING (1.60)	4				UR
	3LD-12168-M1	PAD, ADJUSTING (1.65)	4				UR
	3LD-12168-R1	PAD, ADJUSTING (1.70)	4				UR
	3LD-12168-U1	PAD, ADJUSTING (1.75)	4				UR
	3LD-12168-W1	PAD, ADJUSTING (1.80)	4				UR
	3LD-12168-Y1	PAD, ADJUSTING (1.85)	4				UR
	3LD-12169-11	PAD, ADJUSTING (1.90)	4				UR



BHR1110DY060

FIG. 6 VALVE

REF. NO.	PART NO.	DESCRIPTION	DP01			REMARKS
13	3LD-12169-31	PAD, ADJUSTING (1.95)	4			UR
	3LD-12169-50	PAD, ADJUSTING (2.00)	4			UR
	3LD-12169-70	PAD, ADJUSTING (2.05)	4			UR
	3LD-12169-90	PAD, ADJUSTING (2.10)	4			UR
	3LD-12169-E0	PAD, ADJUSTING (2.15)	4			UR
	3LD-12169-G0	PAD, ADJUSTING (2.20)	4			UR
	3LD-12169-J0	PAD, ADJUSTING (2.25)	4			UR
	3LD-12169-L0	PAD, ADJUSTING (2.30)	4			UR
	3LD-12169-N0	PAD, ADJUSTING (2.35)	4			UR
	3LD-12169-T0	PAD, ADJUSTING (2.40)	4			UR

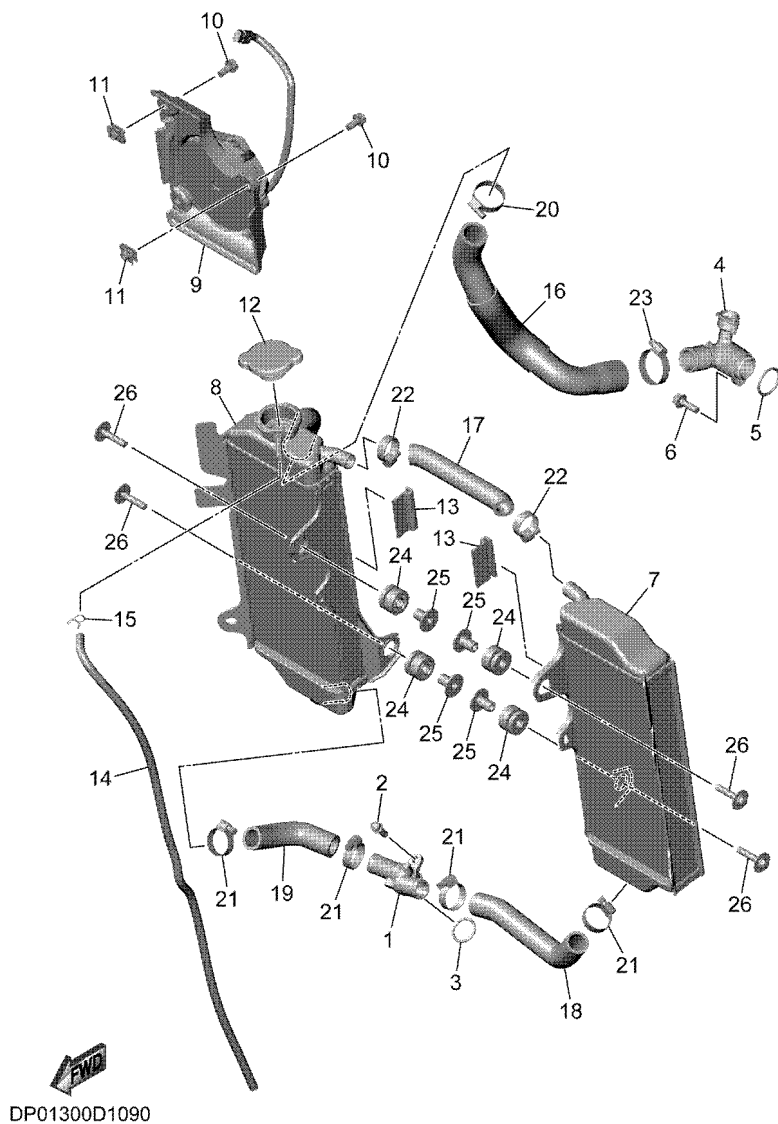


BHR1110DY070

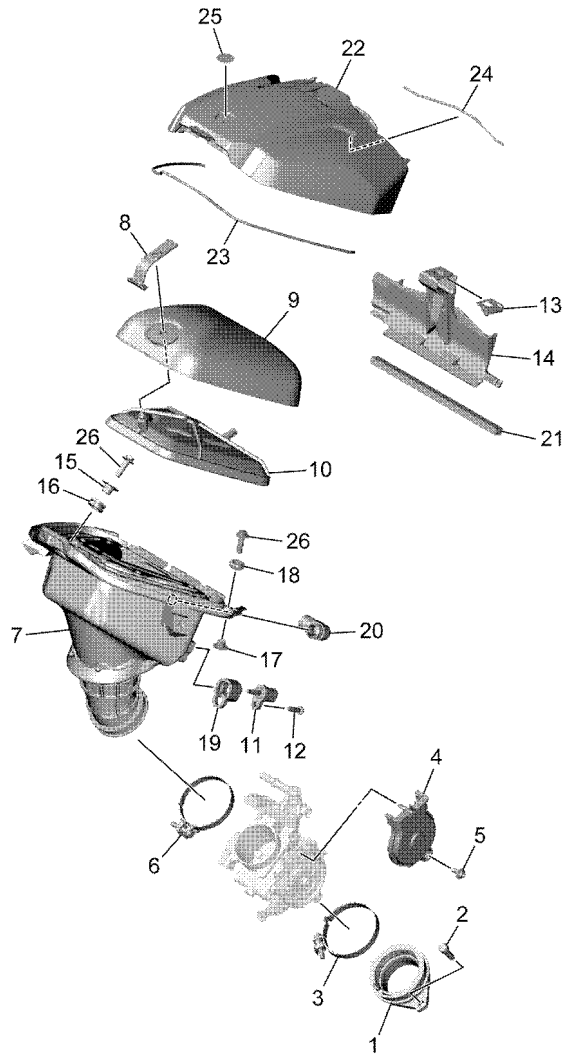
FIG. 7 CAMSHAFT & CHAIN

REF. NO.	PART NO.	DESCRIPTION	DP01				REMARKS
1	BHR-12170-00	CAMSHAFT ASSY 1	1				
2	D03-12180-00	CAMSHAFT ASSY 2	1				
3	94591-79118	CHAIN	1				
4	B2W-12251-00	DAMPER, CHAIN 1	1				
5	33D-12252-01	DAMPER, CHAIN 2	1				
6	1SL-12233-00	PLATE, GUIDE STOPPER 1	1				
7	90151-06024	SCREW, COUNTERSUNK	1				
8	B7B-12210-11	TENSIONER ASSY, CAM CHAIN	1				
9	5SL-12214-00	.GASKET	1				
10	5EL-12228-00	.BOLT	1				
11	4FM-12213-00	GASKET, TENSIONER CASE	1				
12	95E32-06025	BOLT, FLANGE DEEP RECESS	2				
13	90430-06014	GASKET	1				

FIG. 9 RADIATOR & HOSE



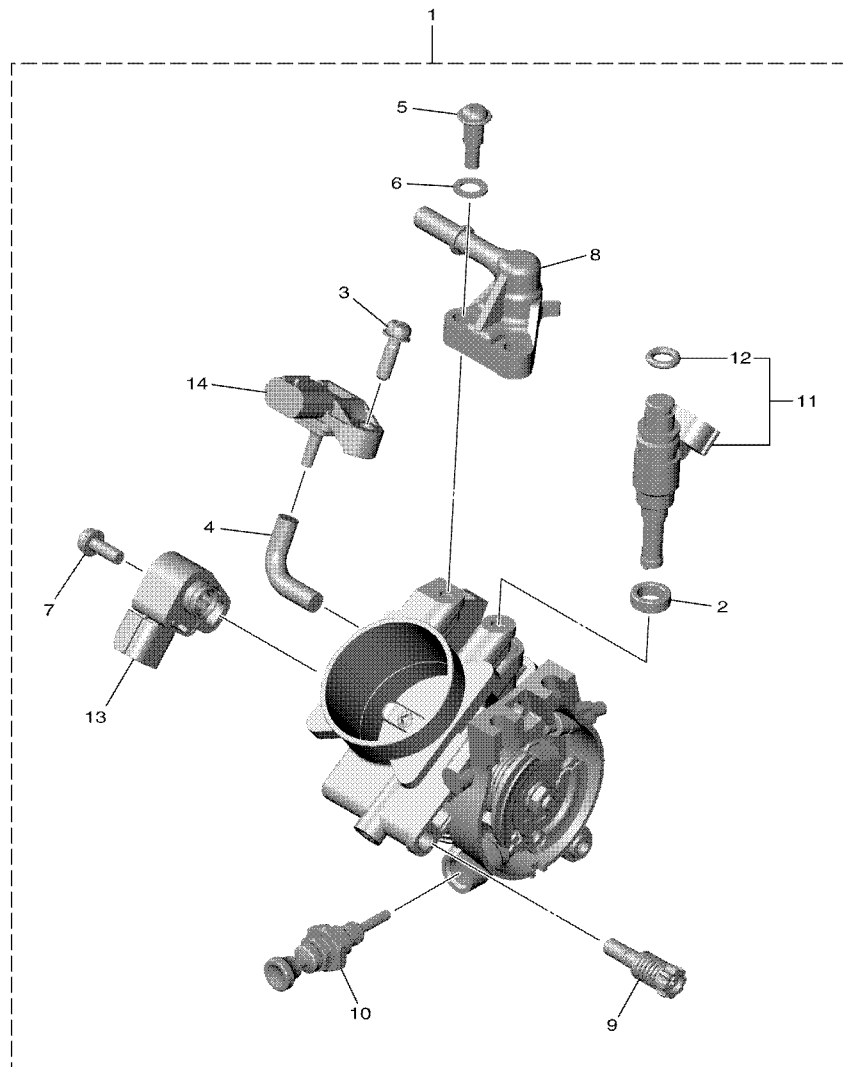
REF. NO.	PART NO.	DESCRIPTION	DP01				REMARKS
1	BHR-12482-00	PIPE 2	1				
2	95E32-06016	BOLT, FLANGE DEEP RECESS	1				
3	93210-20003	O-RING	1				
4	D03-12446-00	JOINT	1				
5	93210-24253	O-RING	1				
6	95E32-06020	BOLT, FLANGE DEEP RECESS	1				
7	BHR-1240A-00	RADIATOR ASSY	1				
8	BNK-12461-00	RADIATOR COMP	1				
9	BNK-12405-00	BLOWER ASSY	1				
10	2GB-12615-00	BOLT	3				
11	5SL-12671-00	NUT 1	3				
12	5SL-12462-10	CAP, RADIATOR	1				
13	33D-12465-00	DAMPER, RADIATOR	2				
14	BHR-12463-00	PIPE, BREATHER	1				
15	90467-08003	CLIP	1				
16	BNK-12576-00	HOSE 1	1				
17	BR9-12577-00	HOSE 2	1				
18	BHR-12578-00	HOSE 3	1				
19	BHR-12579-00	HOSE 4	1				
20	90450-28001	HOSE CLAMP ASSY	1				
21	90450-25001	HOSE CLAMP ASSY	4				
22	90450-22001	HOSE CLAMP ASSY	2				
23	90450-32003	HOSE CLAMP ASSY	1				
24	90480-15012	GROMMET	4				
25	90387-06065	COLLAR	4				
26	90119-06262	BOLT, WITH WASHER	4				



DP01300D1120

FIG. 12 INTAKE

REF. NO.	PART NO.	DESCRIPTION	DP01				REMARKS
1	BR9-13597-00	JOINT, CARBURETOR 3	1				
2	91312-06020	BOLT, HEXAGON SOCKET HEAD	2				
3	90450-60004	HOSE CLAMP ASSY	1				
4	BR9-14293-00	COVER 1	1				
5	90110-05066	BOLT, HEXAGON SOCKET HEAD	1				
6	90450-58006	HOSE CLAMP ASSY	1				
7	BNK-14408-02	AIR FILTER CASE COMP.	1				
8	BHR-14459-00	HOLDER, GUIDE	1				
9	BHR-14451-00	ELEMENT, AIR CLEANER	1				
10	BHR-14458-00	GUIDE	1				
11	8FP-85886-00	SENSOR, AIR TEMPERATURE	1				
12	97702-50520	SCREW, TAPPING	1				
13	2CR-2177L-00	PLATE, SPRING	1				
14	BHR-14422-01	CAP, CLEANER CASE 2	1				
15	90387-071E0	COLLAR	1				
16	90480-01027	GROMMET	1				
17	90387-06273	COLLAR	2				
18	90480-12237	GROMMET	2				
19	20S-1445C-01	HOLDER	1				
20	B3J-14419-01	PIPE	1				
21	BHR-24737-00	DAMPER, SEAT	1				
22	BHR-14412-00	CAP, CLEANER CASE 1	1				DPBSE
23	BHR-14452-01	SEAL	1				
24	BHR-14457-00	SEAL	1				
25	4XV-2341B-00	EMBLEM	1				
26	90105-06203	BOLT, FLANGE	3				

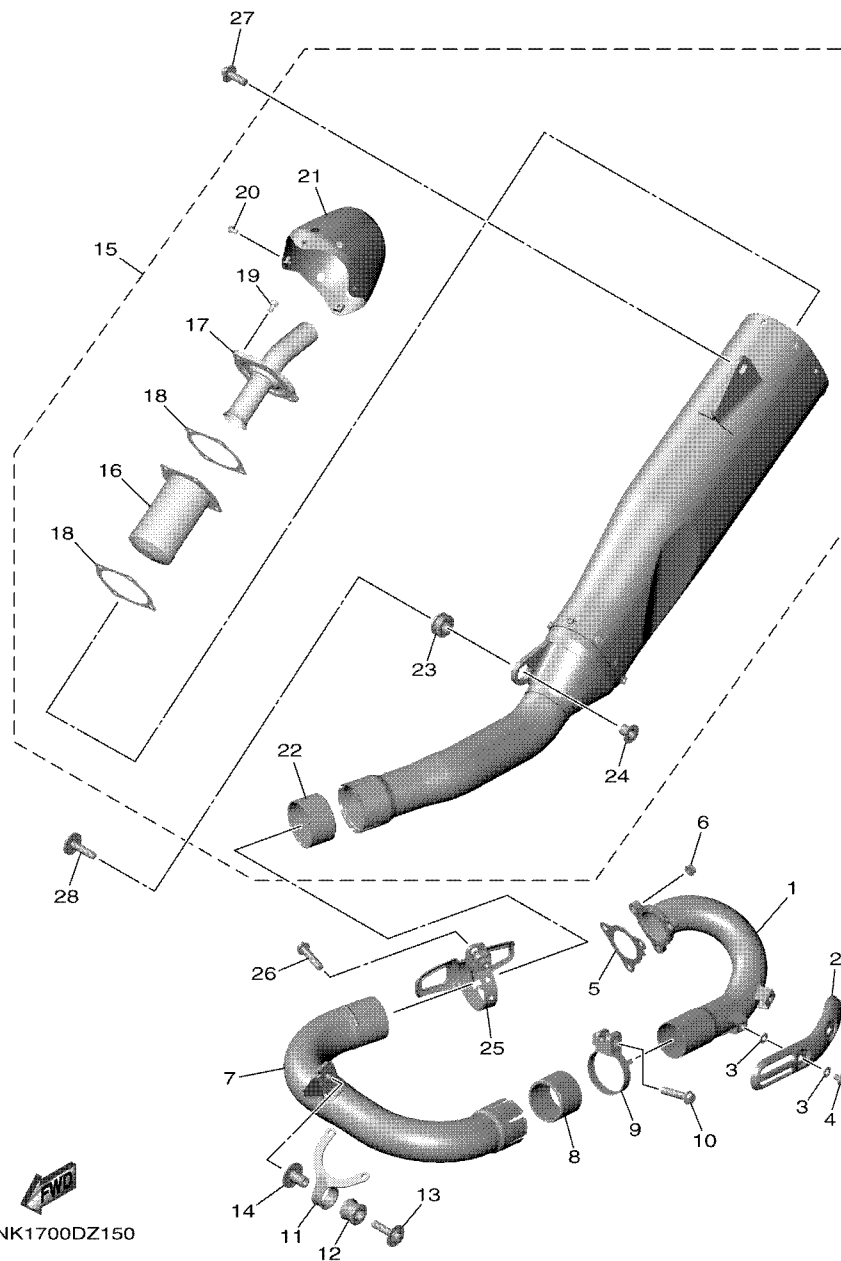


BHR1110DY130

FIG. 13 INTAKE 2

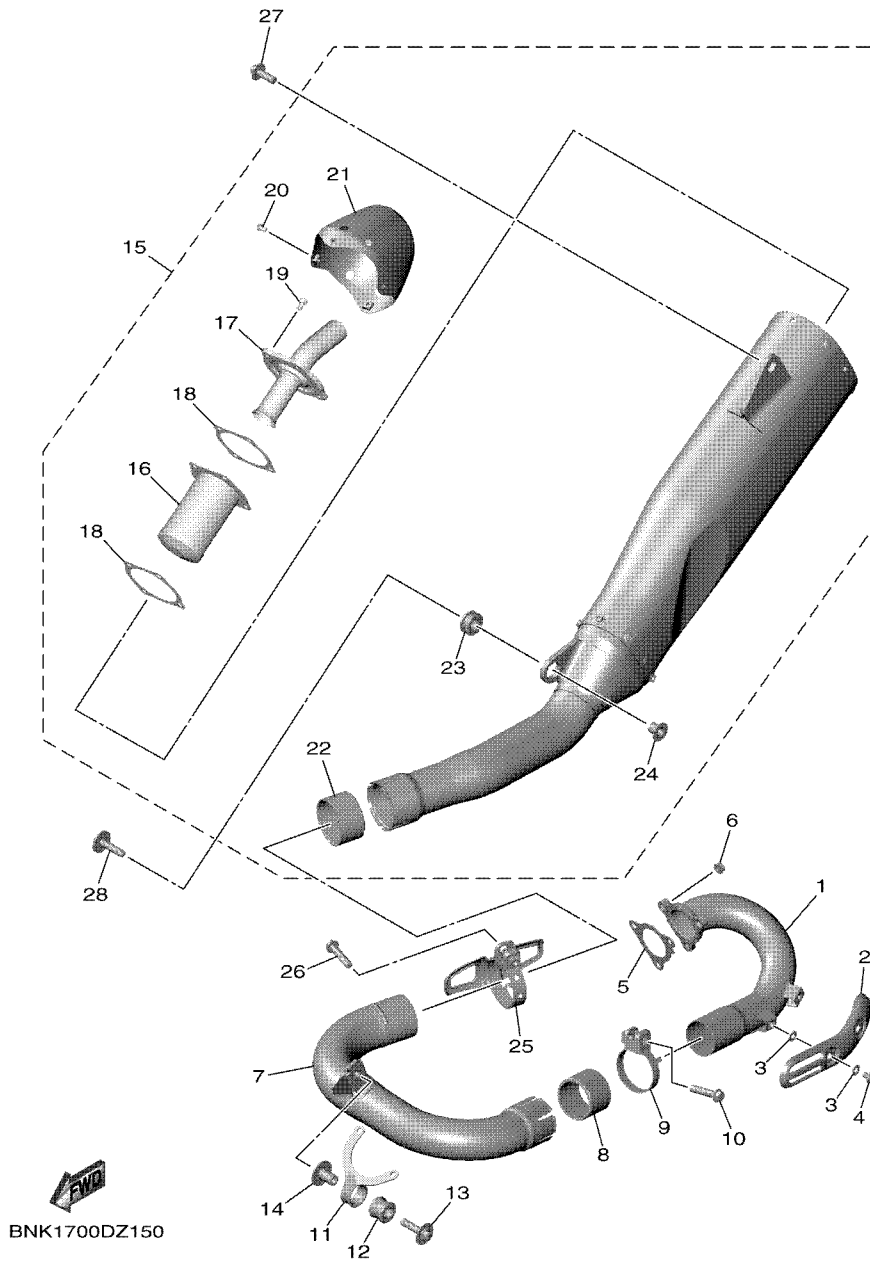
REF. NO.	PART NO.	DESCRIPTION	DP01				REMARKS
1	BNK-13750-00	THROTTLE BODY ASSY	1				
2	8FP-13556-00	.RUBBER, INJECTOR	1				
3	2C0-14216-00	.SCREW	1				
4	BR9-14348-00	.PIPE 1	1				
5	BR9-14486-00	.SCREW, ROD	2				
6	363-14198-00	.GASKET	2				
7	8CC-14216-10	.SCREW	1				
8	BHR-13938-00	.PIPE	1				
9	5VX-14503-00	.ADJUST SCREW SET	1				
10	BR9-1410A-01	.STARTER SET	1				
11	3B4-13761-00	.INJECTOR	1				
12	5PS-14147-00	..O-RING	1				
13	BR9-85885-01	.THROTTLE SENSOR ASSY	1				
14	2C0-82380-00	.SENSOR, PRESSURE	1				

FIG. 15 EXHAUST



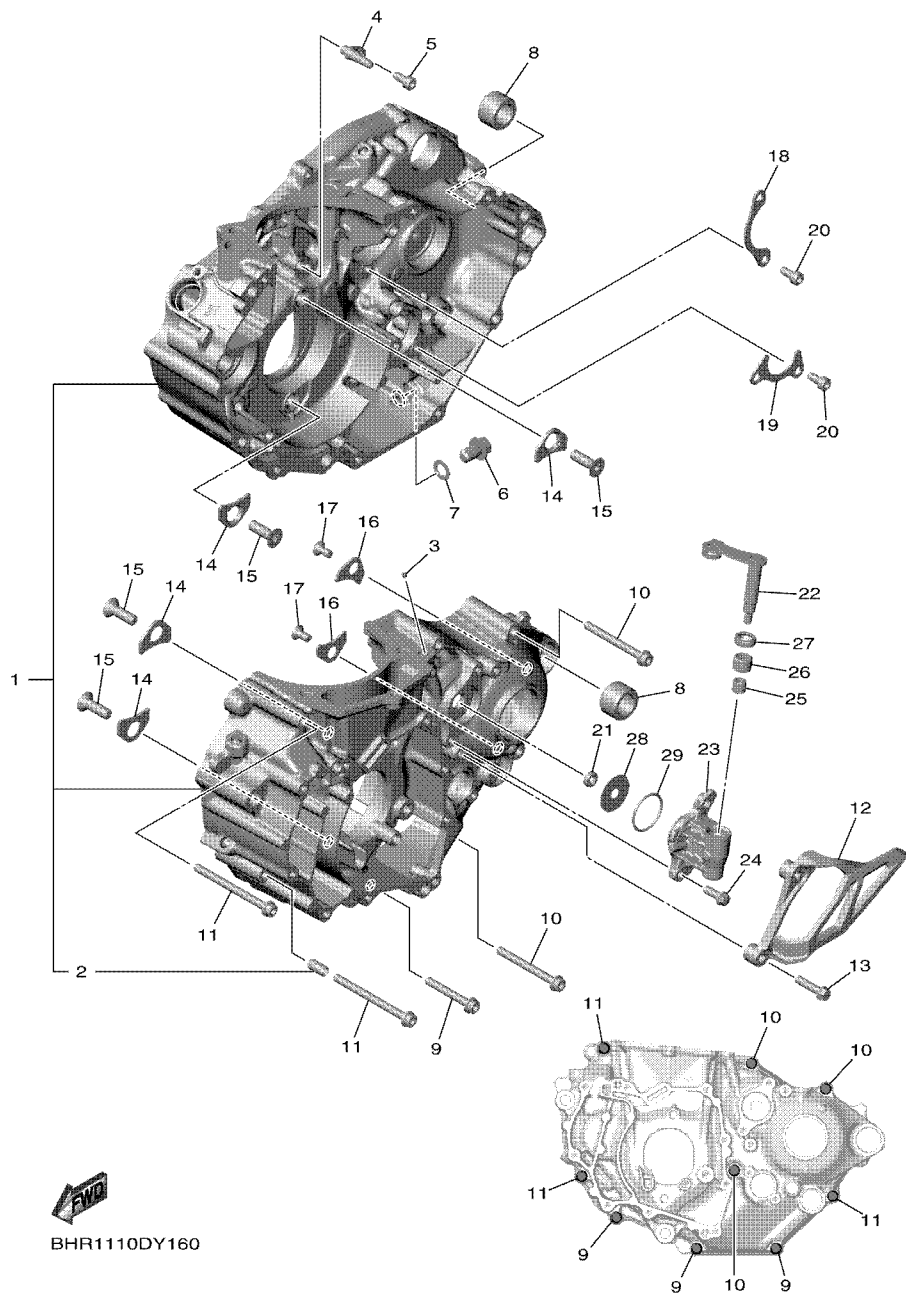
REF. NO.	PART NO.	DESCRIPTION	DP01				REMARKS
1	BHR-14611-00	PIPE, EXHAUST 1	1				
2	BHR-14628-00	PROTECTOR, EXHAUST PIPE	1				
3	90201-05017	WASHER, PLATE	4				
4	BHR-14767-00	SCREW	2				
5	33D-14613-00	GASKET, EXHAUST PIPE	1				
6	95704-06500	NUT, FLANGE	3				
7	BHR-14621-00	PIPE, EXHAUST 2	1				
8	5XD-14714-00	GASKET, MUFFLER	1				
9	BHR-14788-00	BAND, SILENCER	1				
10	95E34-08035	BOLT, FLANGE DEEP RECESS	1				
11	B2W-14639-00	STAY, EXHAUST PIPE 1	1				
12	5VY-14747-00	DAMPER, MUFFLER	1				
13	90119-08174	BOLT, WITH WASHER	1				
14	90387-08081	COLLAR	1				
15	BNK-14701-00	MUFFLER COMP.	1				
16	5TJ-14780-00	.SPARK ARRESTER ASSY	1				
17	BNK-14784-00	.PIPE, TAIL	1				
18	5TJ-14623-00	.GASKET, EXHAUST PIPE	2				
19	90110-05066	.BOLT, HEXAGON SOCKET HEAD	4				
20	92012-05008	.BOLT, BUTTON HEAD	4				
21	BNK-14799-00	.CAP	1				
22	1SL-14714-00	.GASKET, MUFFLER	1				
23	90480-20005	.GROMMET	1				
24	90387-08110	.COLLAR	1				
25	BHR-14715-00	BAND, MUFFLER	1				
26	95E34-08035	BOLT, FLANGE DEEP RECESS	1				
27	90119-08170	BOLT, WITH WASHER	1				

FIG. 15 EXHAUST



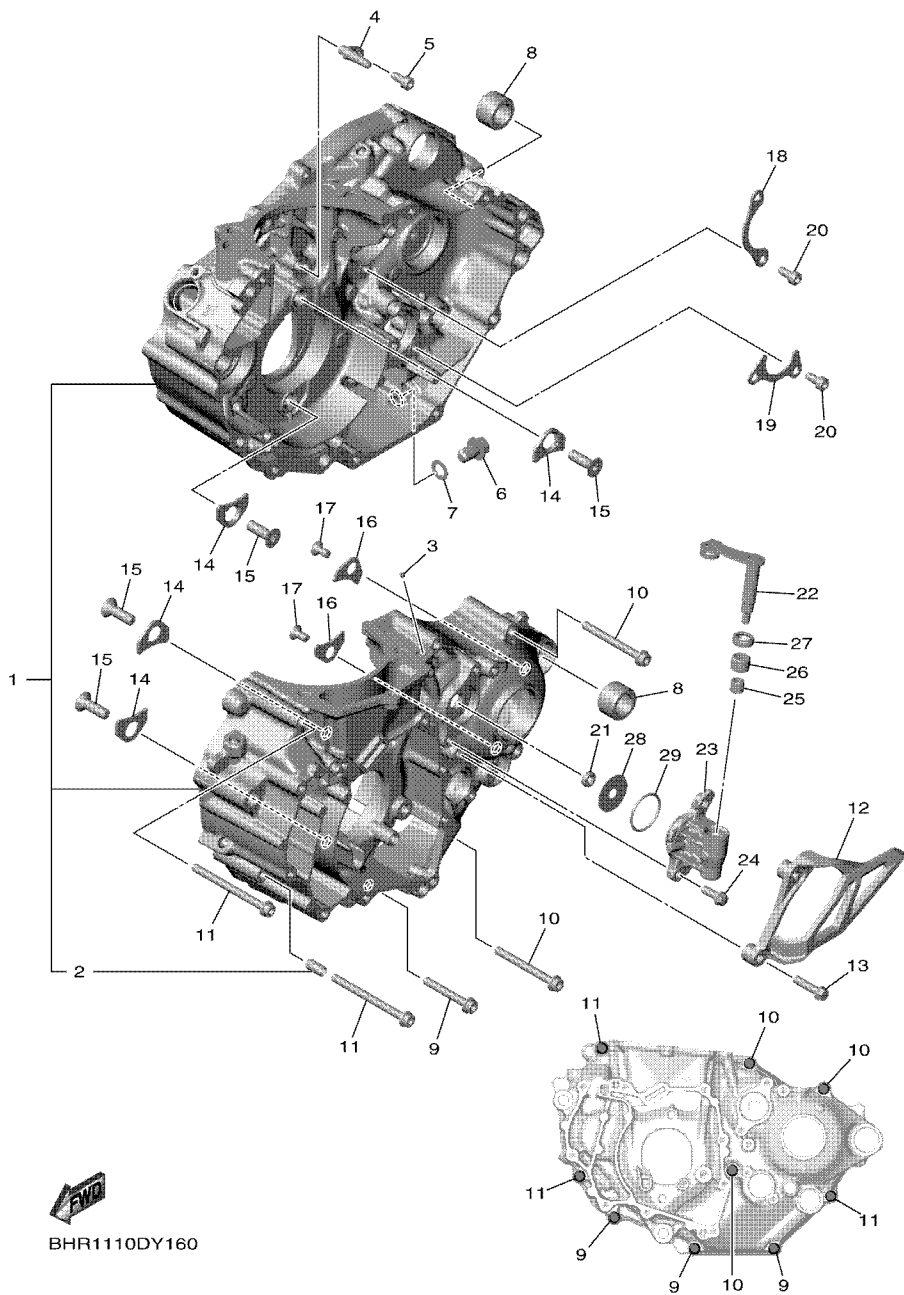
REF. NO.	PART NO.	DESCRIPTION	DP01				REMARKS
28	90119-08177	BOLT, WITH WASHER	1				

FIG. 16 CRANKCASE



BHR1110DY160

REF. NO.	PART NO.	DESCRIPTION	DP01				REMARKS
1	BHR-15100-07	CRANKCASE ASSY	1				
2	99530-08016	.PIN, DOWEL	2				
3	BHR-15148-00	NOZZLE 2	1				
4	BHR-15155-00	NOZZLE 3	1				
5	90110-06182	BOLT, HEXAGON SOCKET HEAD	1				
6	95E32-10016	BOLT, FLANGE DEEP RECESS	1				
7	90430-10188	GASKET	1				
8	90387-17020	COLLAR	2				
9	90110-06391	BOLT, HEXAGON SOCKET HEAD	3				
10	90110-06363	BOLT, HEXAGON SOCKET HEAD	3				
11	90110-06392	BOLT, HEXAGON SOCKET HEAD	3				
12	BHR-15421-01	COVER, CRANKCASE 2	1				
13	90105-06189	BOLT, FLANGE	2				
14	18P-15383-00	PLATE, BEARING COVER	4				
15	90151-08009	SCREW, COUNTERSUNK	4				
16	4JT-15381-01	PLATE, BEARING COVER	2				
17	90151-06053	SCREW, COUNTERSUNK	2				
18	D03-15388-00	PLATE, BEARING COVER	1				
19	33D-18562-00	PLATE, STOPPER 2	1				
20	90110-06182	BOLT, HEXAGON SOCKET HEAD	4				
21	93104-06033	OIL SEAL	1				
22	BHR-16381-00	PUSH LEVER COMP.	1				
23	BHR-16386-00	PIECE, CLUTH PUSH	1				
24	90105-06187	BOLT, FLANGE	2				
25	93317-106B4	BEARING	1				
26	93317-11096	BEARING	1				
27	93102-10008	OIL SEAL	1				

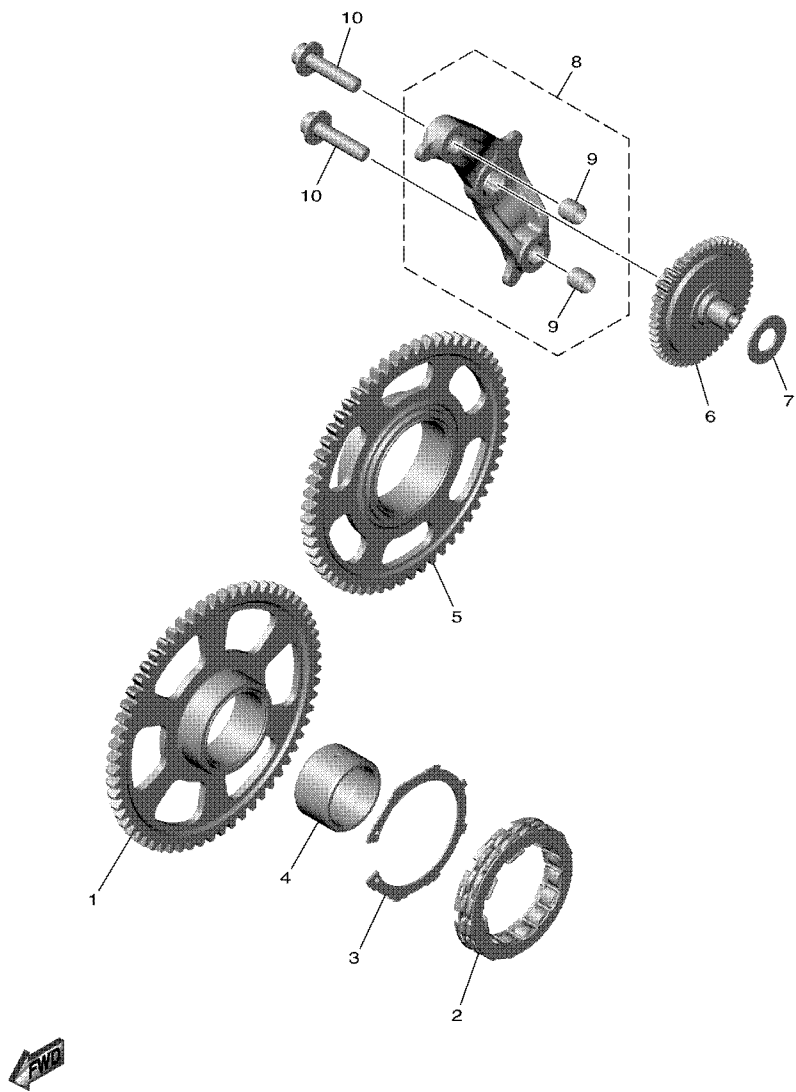


BHR1110DY160

FIG. 16 CRANKCASE

REF. NO.	PART NO.	DESCRIPTION	DP01				REMARKS
28	90201-08037	WASHER, PLATE	1				
29	93210-28543	O-RING	1				
<hr/>							
<hr/>							
<hr/>							
<hr/>							
<hr/>							
<hr/>							
<hr/>							
<hr/>							
<hr/>							

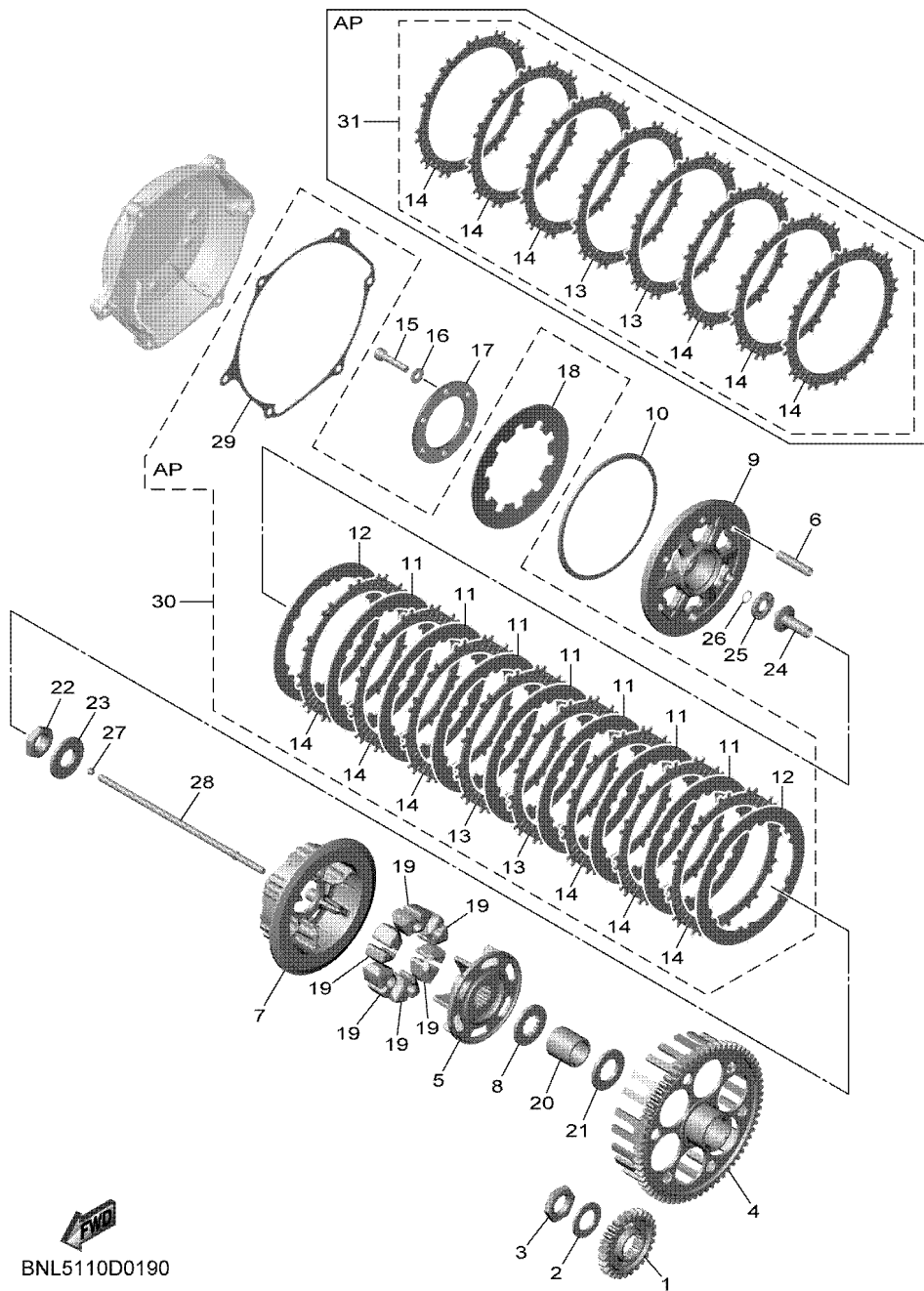
FIG. 18 STARTER CLUTCH



BHR1110DY180

REF. NO.	PART NO.	DESCRIPTION	DP01				REMARKS
1	BHR-15515-00	GEAR 3(61T)	1				
2	BHR-15570-00	STARTER CLUTCH ASSY	1				
3	BHR-15536-00	CLIP, STARTER	1				
4	BHR-1571H-00	COLLAR, STARTER	1				
5	BHR-15517-00	GEAR, IDLER 2(59T)	1				
6	BHR-15560-01	DAMPER ASSY	1				
7	90201-10045	WASHER, PLATE	1				
8	BHR-15378-00	HOLDER	1				
9	91810-18008	.PIN, DOWEL	2				
10	90110-06173	BOLT, HEXAGON SOCKET HEAD	2				

FIG. 19 CLUTCH

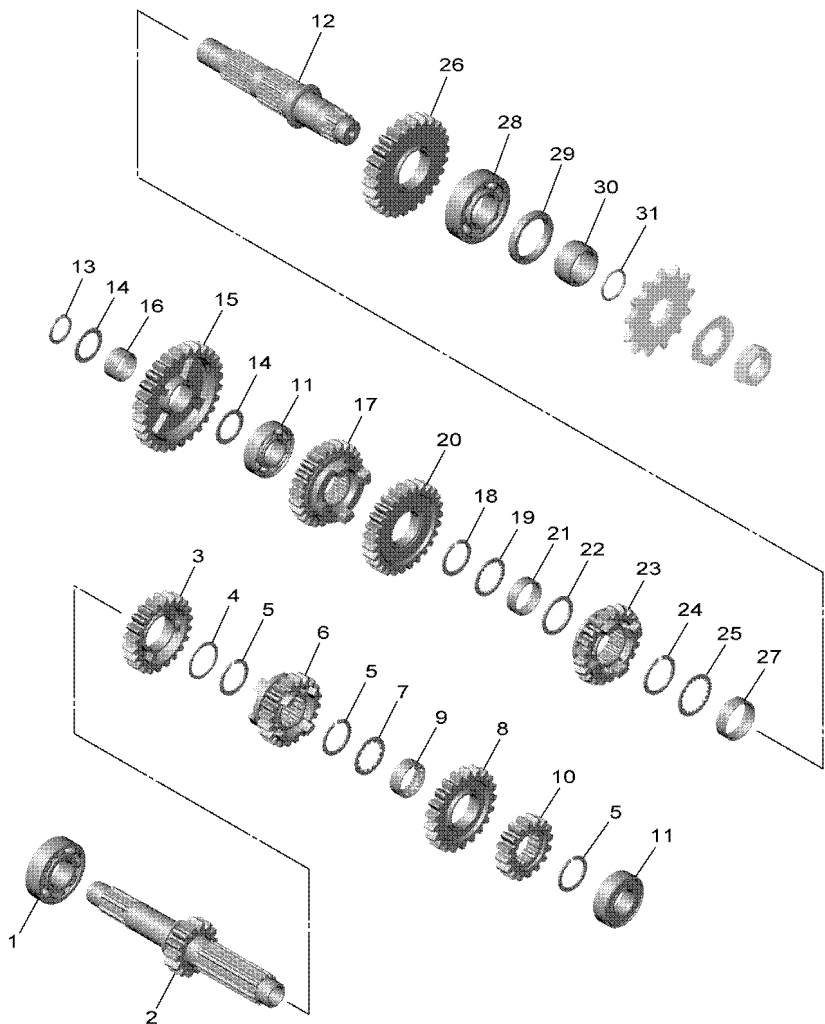


REF. NO.	PART NO.	DESCRIPTION	DP01				REMARKS
1	BHR-16111-00	GEAR, PRIMARY DRIVE	1				
2	90201-20611	WASHER, PLATE	1				
3	90170-20014	NUT	1				
4	BHR-16151-00	GEAR, PRIMARY DRIVEN	1				
5	BHR-16371-00	BOSS, CLUTCH	1				
6	90387-0514T	COLLAR	6				
7	BHR-16172-00	SLEEVE	1				
8	BHR-16144-00	WASHER	1				
9	BHR-16351-00	PLATE, PRESSURE 1	1				
10	BHR-16335-00	HOUSING, SPRING	1				
11	BHR-16324-00	PLATE, CLUTCH 1	7				
12	BHR-16325-00	PLATE, CLUTCH 2	2				
13	BNK-16321-00	PLATE, FRICTION	2				
14	BNK-16330-00	PLATE, FRICTION 2	6				
15	97013-06016	BOLT	6				
16	92903-06600	WASHER, PLATE	6				
17	BHR-16718-00	RING,PRESSURE	1				
18	BHR-16334-00	SPRING, CLUTCH 2	1				
19	BHR-16165-00	ABSORBER	6				
20	BHR-16116-00	COLLAR 1	1				
21	BHR-16113-00	WASHER, THRUST 1	1				
22	90179-18016	NUT	1				
23	BHR-16148-00	WASHER, THRUST 1	1				
24	BHR-16356-00	ROD, PUSH 1	1				
25	93340-21209	BEARING	1				
26	93440-10085	CIRCLIP	1				
27	93501-04011	BALL	1				

BNL5110D0190

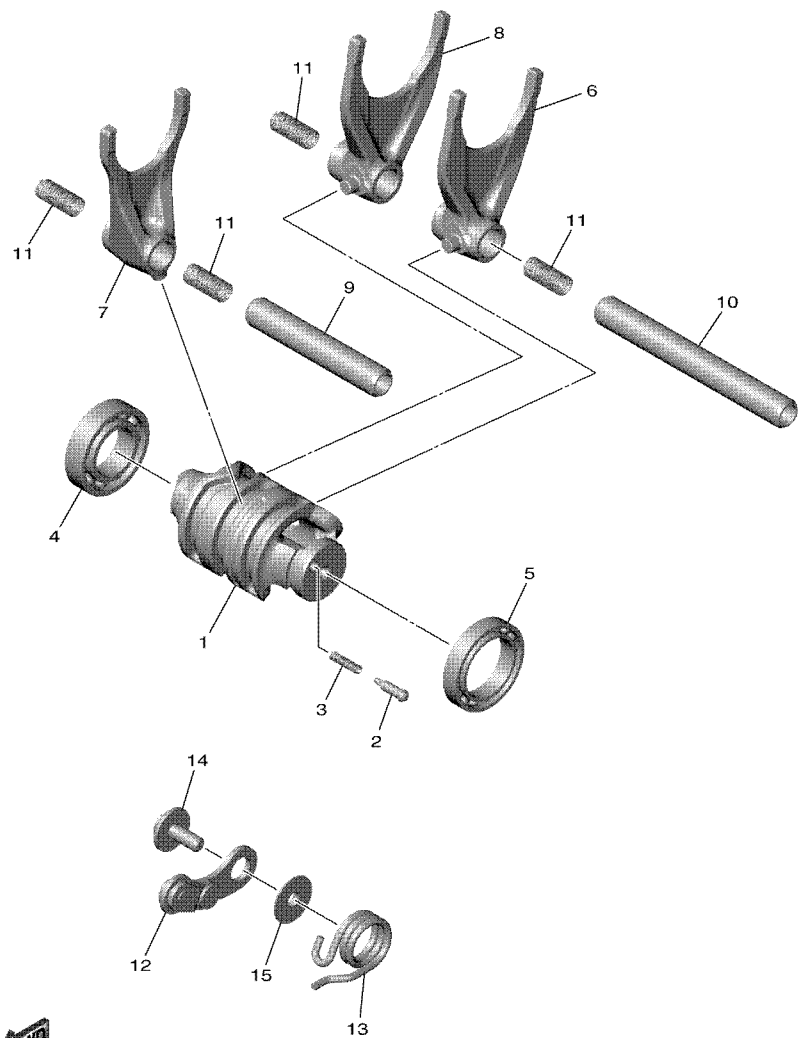
FIG. 20 TRANSMISSION

REF. NO.	PART NO.	DESCRIPTION	DP01				REMARKS
1	93306-27210	BEARING	1				
2	BNK-17411-00	AXLE, MAIN	1				
3	BNK-17141-00	GEAR, 4TH PINION (20T)	1				
4	90201-253K0	WASHER, PLATE (T=1.0)	1				
5	93440-25084	CIRCLIP	3				
6	BHR-17131-10	GEAR, 3RD PINION(20T)	1				
7	90209-21332	WASHER	1				
8	BNK-17151-00	GEAR, 5TH PINION(25T)	1				
9	90387-2113G	COLLAR	1				
10	BNK-17121-00	GEAR, 2ND PINION(15T)	1				
11	93306-00447	BEARING	2				
12	BHR-17402-00	DRIVE AXLE ASSY	1				
13	93410-20038	CIRCLIP	1				
14	90201-203E7	WASHER, PLATE	2				
15	BNK-17211-00	GEAR, 1ST WHEEL(30T)	1				
16	90387-20028	COLLAR	1				
17	BNK-17241-00	GEAR, 4TH WHEEL(22T)	1				
18	93440-25084	CIRCLIP	1				
19	90214-23002	WASHER, CLAW	1				
20	BHR-17231-00	GEAR, 3RD WHEEL(27T)	1				
21	90387-25041	COLLAR	1				
22	90201-25028	WASHER, PLATE	1				
23	BNK-17251-00	GEAR, 5TH WHEEL(22T)	1				
24	93440-28062	CIRCLIP	1				
25	90209-26348	WASHER	1				
26	BNK-17221-00	GEAR, 2ND WHEEL (27T)	1				
27	90387-28032	COLLAR	1				



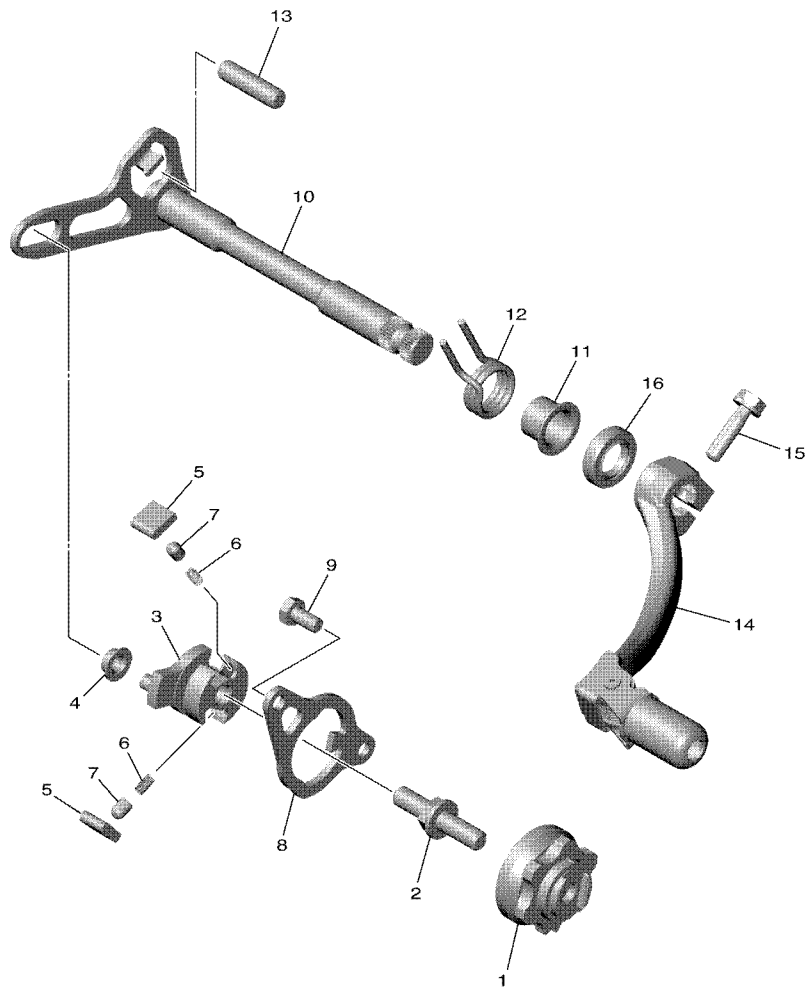
 BNL5110D0200

FIG. 21 SHIFT CAM & FORK



BHR1110DY210

REF. NO.	PART NO.	DESCRIPTION	DP01				REMARKS
1	BHR-18541-00	CAM, SHIFT	1				
2	3D7-18542-00	POINT, NEUTRAL	1				
3	90501-06022	SPRING, COMPRESSION	1				
4	93306-90409	BEARING	1				
5	93306-80502	BEARING	1				
6	BHR-18511-00	FORK, SHIFT 1	1				
7	BHR-18512-10	FORK, SHIFT 2	1				
8	BHR-18513-00	FORK, SHIFT 3	1				
9	BHR-18531-00	BAR, SHIFT FORK GUIDE 1	1				
10	BHR-18535-00	BAR, SHIFT FORK GUIDE 2	1				
11	90501-070A3	SPRING, COMPRESSION	4				
12	2GB-18140-10	STOPPER LEVER ASSY	1				
13	90508-29052	SPRING, TORSION	1				
14	90159-06027	SCREW, WITH WASHER	1				
15	33D-18175-00	SPACER	1				



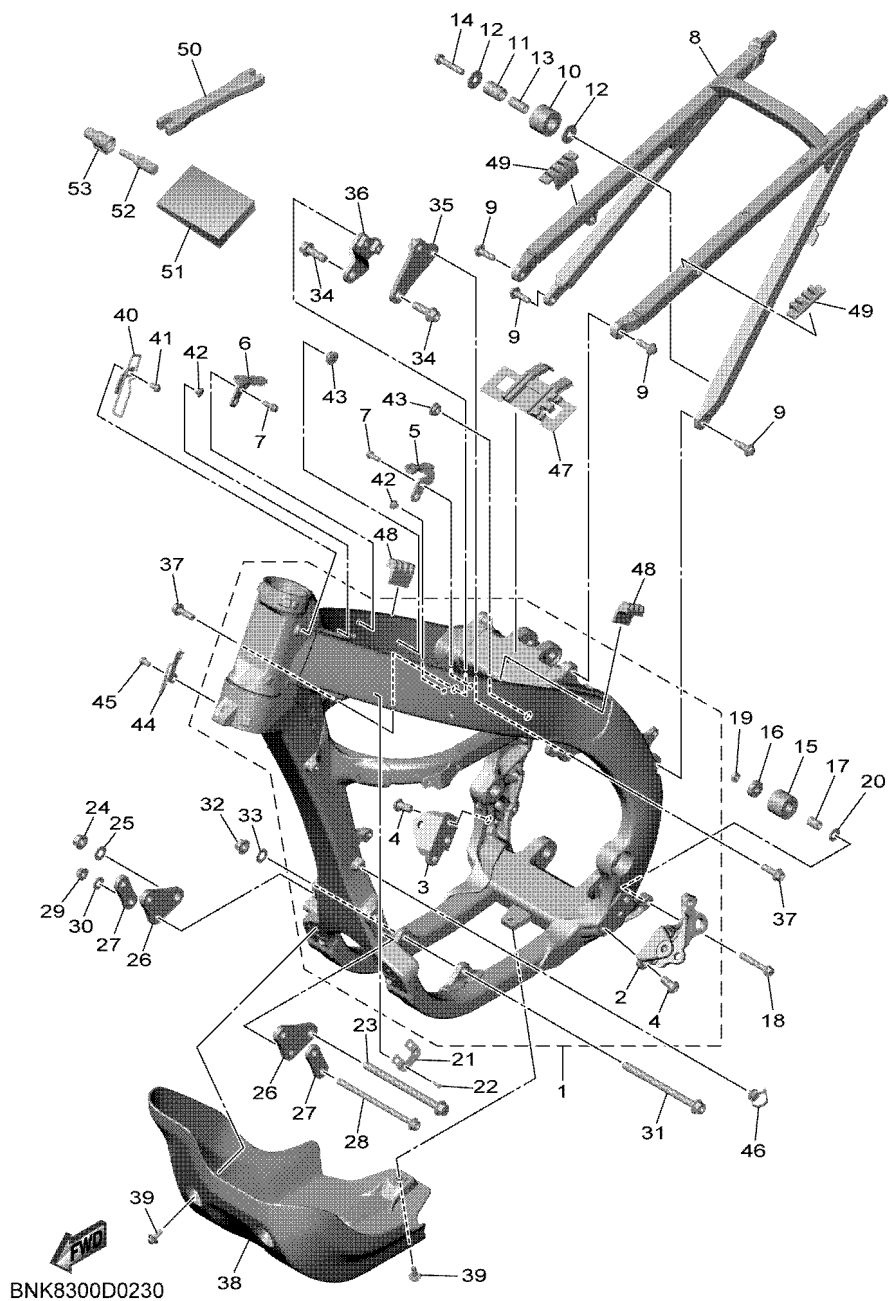
BHR1110DY220

FIG. 22 SHIFT SHAFT

REF. NO.	PART NO.	DESCRIPTION	DP01				REMARKS
1	BHR-18185-00	SEGMENT	1				
2	3XJ-18173-10	PIN, SHIFT	1				
3	BHR-18122-00	LEVER, SHIFT 2	1				
4	3XJ-18178-00	ROLLER, SHIFT LEVER	1				
5	3XJ-18182-00	PAWL, SHIFTER	2				
6	90501-052G5	SPRING, COMPRESSION	2				
7	3XJ-18184-00	PIN, PAWL	2				
8	BHR-18172-00	GUIDE, SHIFT	1				
9	90101-06041	BOLT	2				
10	BHR-18101-00	SHIFT SHAFT ASSY	1				
11	90387-14020	COLLAR	1				
12	90508-29023	SPRING, TORSION	1				
13	93608-30002	PIN, DOWEL	1				
14	BR9-18110-00	SHIFT PEDAL ASSY	1				
15	90119-06M12	BOLT, WITH WASHER	1				
16	93109-14010	OIL SEAL	1				

FIG. 23 FRAME

REF. NO.	PART NO.	DESCRIPTION	DP01				REMARKS
1	BNK-21101-10	FRONT FRAME COMP.	1				
2	BNK-21447-00	.BRACKET, FOOTREST	1				
3	D02-21448-00	.BRACKET, FOOTREST	1				
4	90149-10031	.SCREW	4				
5	BHR-21147-00	BRACKET, AIR CLEANER 1	1				
6	BHR-21148-00	BRACKET, AIR CLEANER 2	1				
7	95E32-06016	BOLT, FLANGE DEEP RECESS	4				
8	BHR-21190-10	REAR FRAME COMP.	1				
9	90105-08230	BOLT, FLANGE	4				
10	30X-22178-00	TENSIONER	1				
11	4V4-22184-00	BUSH	1				
12	90201-08045	WASHER, PLATE	2				
13	90387-08041	COLLAR	1				
14	95E32-08040	BOLT, FLANGE DEEP RECESS	1				
15	BR9-22178-00	TENSIONER	1				
16	93300-60804	BEARING	1				
17	90387-086N4	COLLAR	1				
18	90105-08232	BOLT, FLANGE	1				
19	90185-08009	NUT, SELF-LOCKING	1				
20	90201-08043	WASHER, PLATE	1				
21	BHR-23591-00	BRACKET 1	1				
22	90267-32146	RIVET, BLIND	2				
23	90105-10219	BOLT, FLANGE	1				
24	90179-10658	NUT	1				
25	90201-10045	WASHER, PLATE	1				
26	BNK-21417-00	BRACKET, FRONT LOWER 1	2				
27	BAJ-21418-00	BRACKET, FRONT LOWER 2	2				



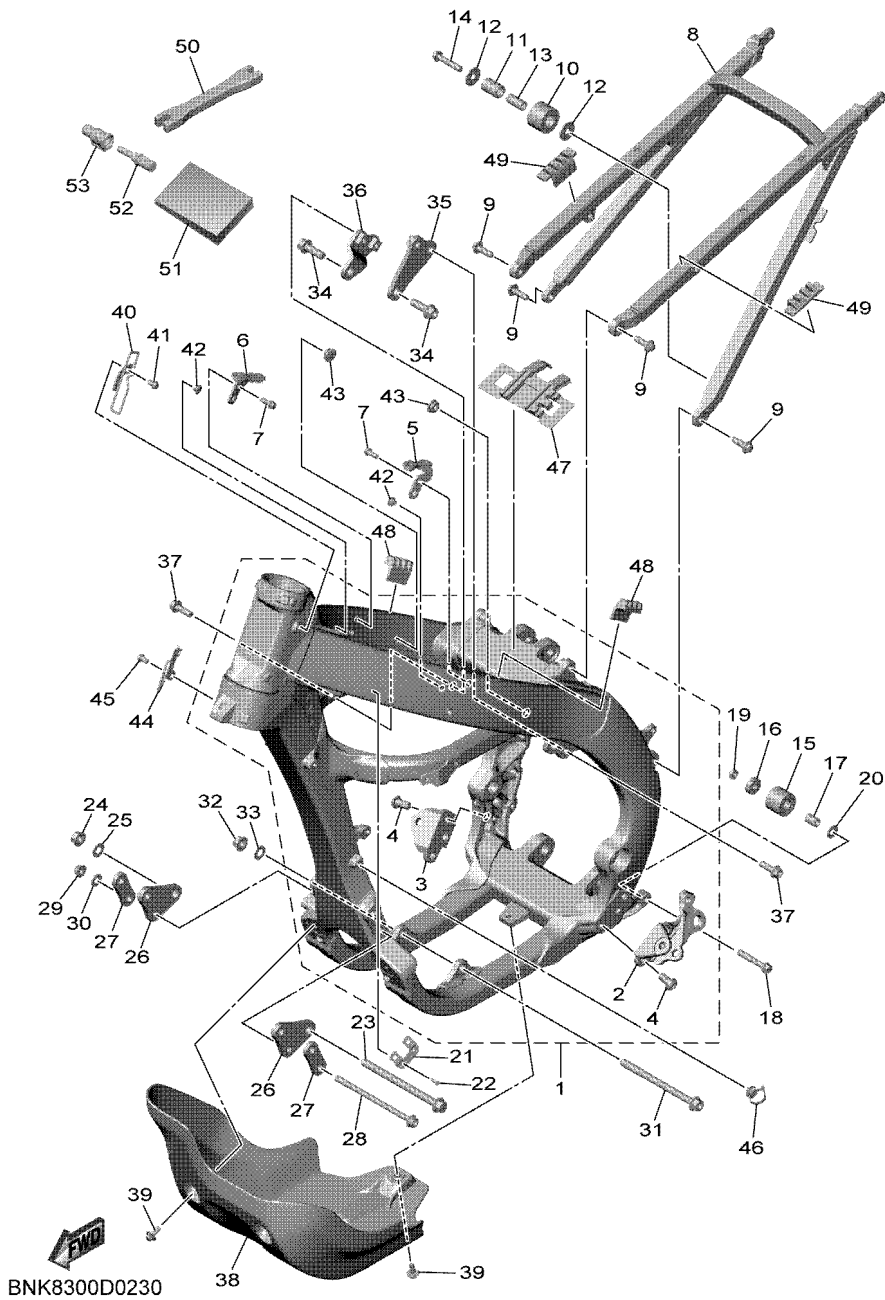
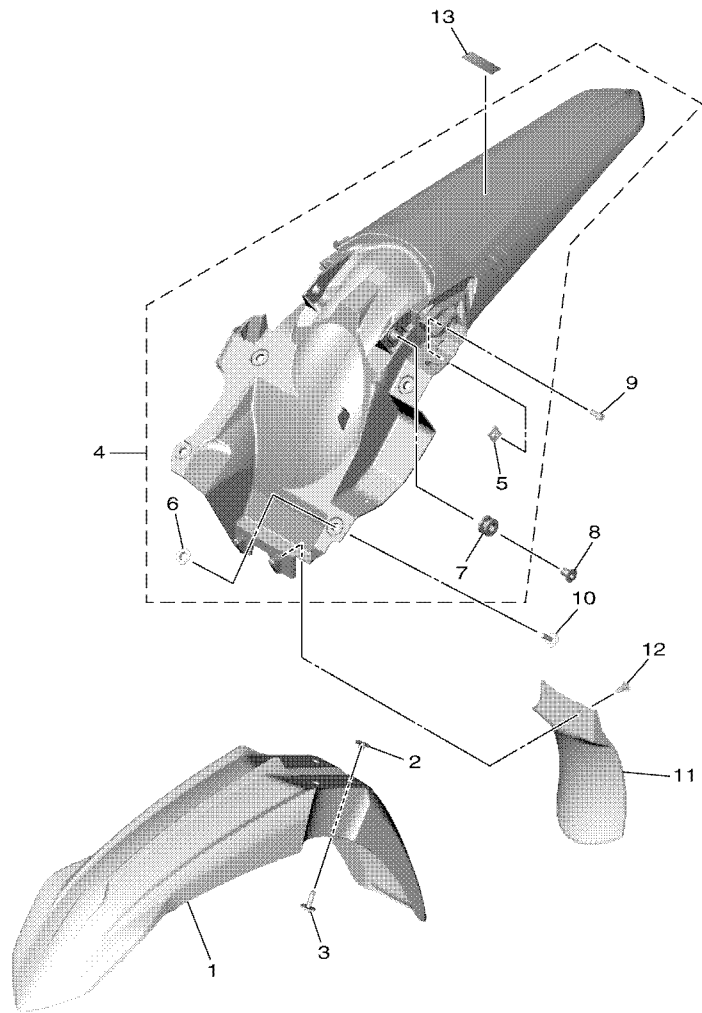


FIG. 23 FRAME

REF. NO.	PART NO.	DESCRIPTION	DP01				REMARKS
28	90105-08280	BOLT, FLANGE	2				
29	90179-08674	NUT	2				
30	90201-08043	WASHER, PLATE	2				
31	90105-10176	BOLT, FLANGE	1				
32	90179-10658	NUT	1				
33	90201-10045	WASHER, PLATE	1				
34	90105-10189	BOLT, FLANGE	2				
35	BHR-21425-00	BRACKET, REAR UPPER 1	1				
36	B2W-21426-00	BRACKET, REAR UPPER 2	1				
37	90105-08143	BOLT, FLANGE	4				
38	BNK-2147A-00	GUARD, ENGINE 1	1				
39	90119-06166	BOLT, WITH WASHER	3				
40	1SL-21163-01	HOLDER, WIRE	1				
41	92012-06010	BOLT, BUTTON HEAD	1				
42	90338-07043	PLUG	2				
43	90480-12M25	GROMMET	2				
44	BNK-21163-00	HOLDER, WIRE	1				
45	92012-06010	BOLT, BUTTON HEAD	1				
46	90464-31002	CLAMP	1				
47	BNK-24181-00	DAMPER, LOCATING 1	1				
48	BR9-24182-00	DAMPER, LOCATING 2	2				
49	BNK-24183-00	DAMPER, LOCATING 3	2				
50	5ET-28166-10	WRENCH, HEXAGON	1				
51	DP0-28199-50	MANUAL, OWNER'S	1				
52	18P-2467E-00	CAP	1				
53	18P-2464V-01	CASE, CAP	1				

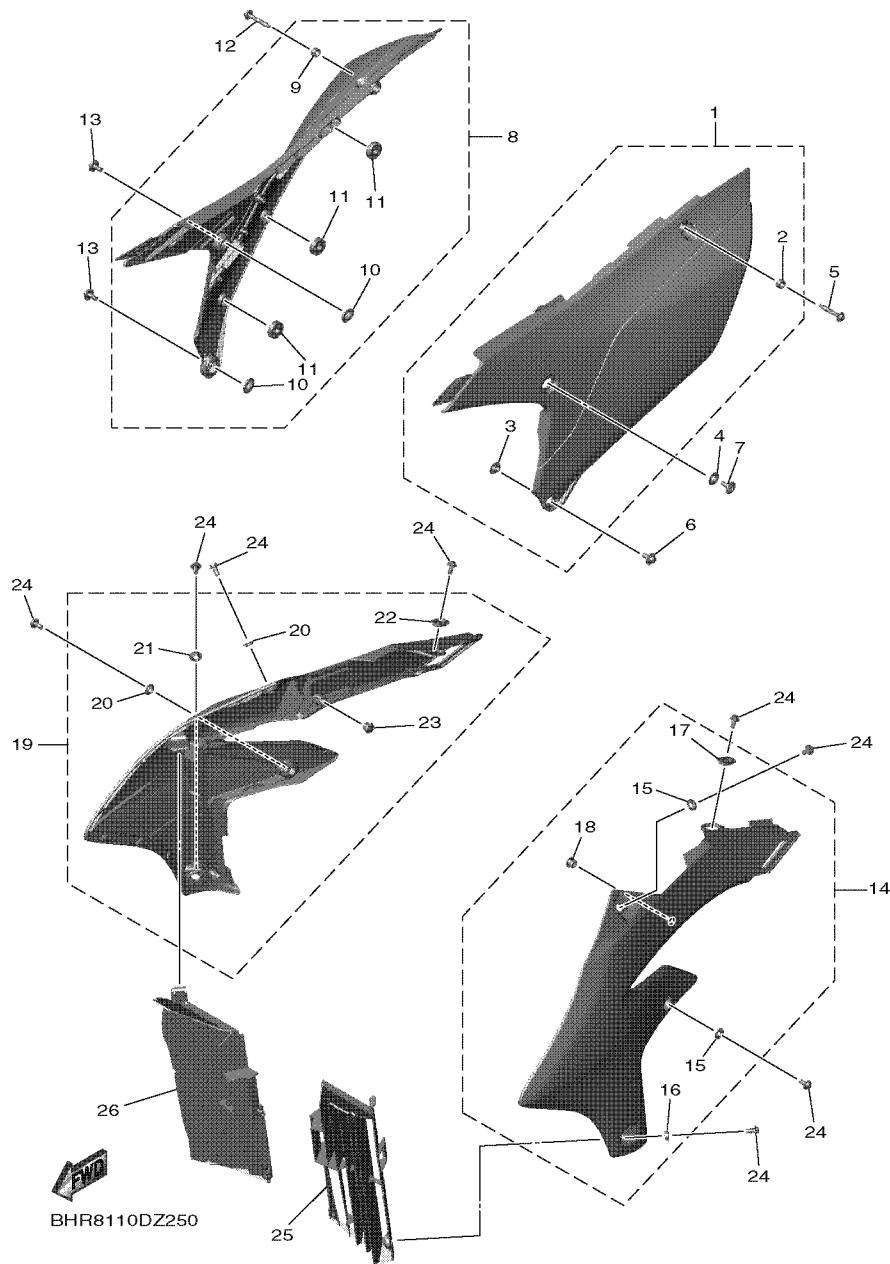



BNK4300DZ240

FIG. 24 FENDER

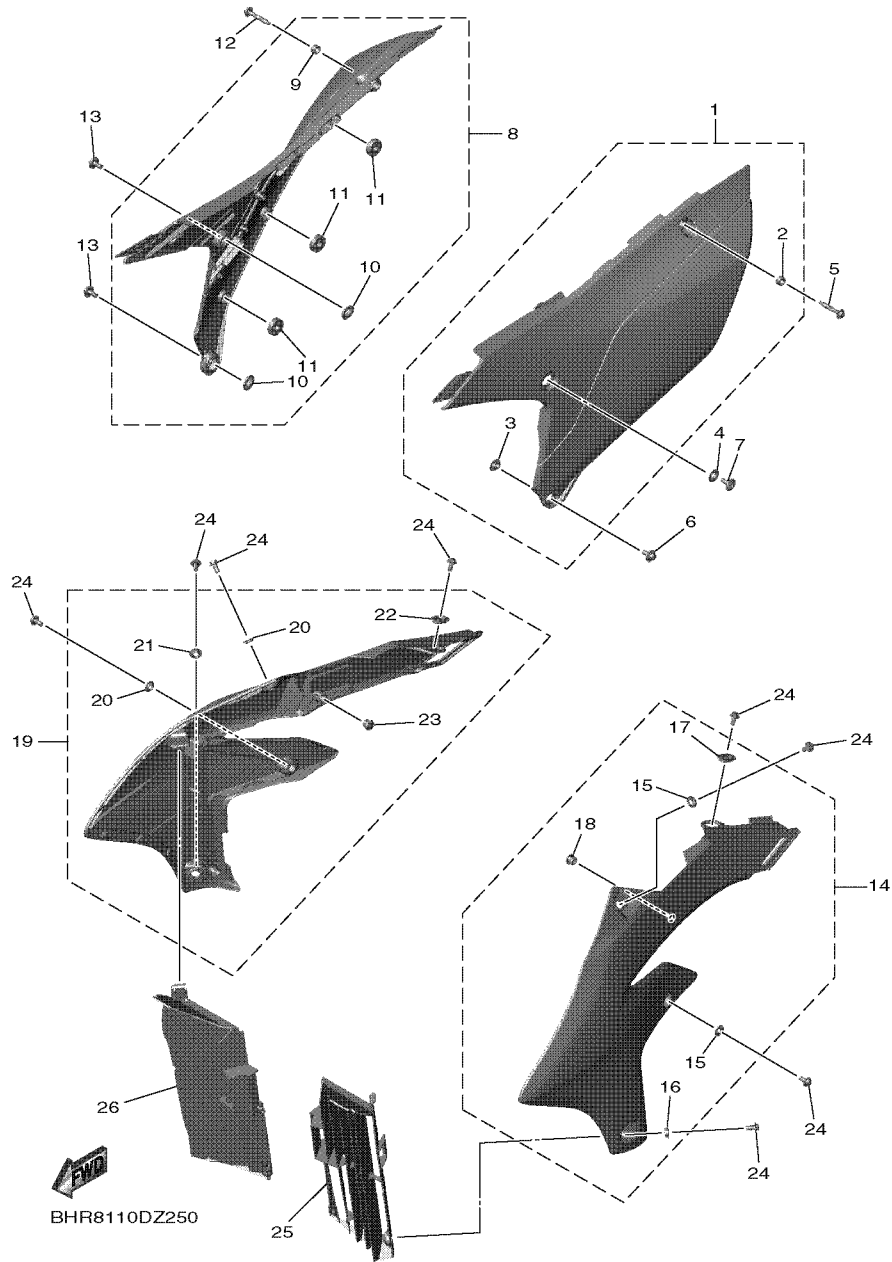
REF. NO.	PART NO.	DESCRIPTION	DP01				REMARKS
1	BR9-21511-00	FENDER, FRONT	1				
2	90387-06259	COLLAR	4				
3	90119-06268	BOLT, WITH WASHER	4				
4	BNK-21610-00	REAR FENDER COMP.	1				
5	5XE-21635-10	.NUT, REAR FENDER	2				
6	5BE-21749-00	.COLLAR	4				
7	90480-14532	.GROMMET	2				
8	90387-06136	COLLAR	2				
9	90105-06100	BOLT, FLANGE	2				
10	90119-06268	BOLT, WITH WASHER	4				
11	3D7-21642-00	GUARD, FLAP	1				
12	97702-60016	SCREW, TAPPING	2				
13	5PG-2816R-01	LABEL, WARNING GENERAL INFO.	1				

FIG. 25 SIDE COVER



REF. NO.	PART NO.	DESCRIPTION	DP01			REMARKS
1	BHR-21710-00	SIDE COVER ASSY 1	1			
2	90387-08057	.COLLAR	1			
3	17D-14449-00	.COLLAR	1			
4	90387-09022	COLLAR	1			
5	90105-06179	BOLT, FLANGE	1			
6	90119-06217	BOLT, WITH WASHER	1			
7	90111-06196	BOLT, HEXAGON SOCKET BUTTON	1			
8	BNK-21720-02	SIDE COVER ASSY 2	1			
9	90387-08057	.COLLAR	1			
10	D02-21749-00	.COLLAR	2			
11	1SL-21719-00	.GROMMET	3			
12	90105-06179	BOLT, FLANGE	1			
13	90119-06217	BOLT, WITH WASHER	2			
14	BNK-217R0-P0	SIDE COVER INSERT ASSY. 3	1			
	BHR-21730-00	SIDE COVER ASSY 3 (WO/GRAPHIC)	1			AP
15	90387-07045	.COLLAR	2			
16	90387-08086	.COLLAR	1			
17	1SL-21748-00	.COLLAR	1			
18	90480-10068	.GROMMET	1			
19	BNK-217S0-P0	SIDE COVER INSERT ASSY. 4	1			
	BHR-21740-00	SIDE COVER ASSY 4 (WO/GRAPHIC)	1			AP
20	90387-07045	.COLLAR	2			
21	90387-08086	.COLLAR	1			
22	1SL-21748-00	.COLLAR	1			
23	90480-10068	.GROMMET	1			
24	90105-06064	BOLT, FLANGE	8			
25	BHR-2172A-20	PANEL 1	1			

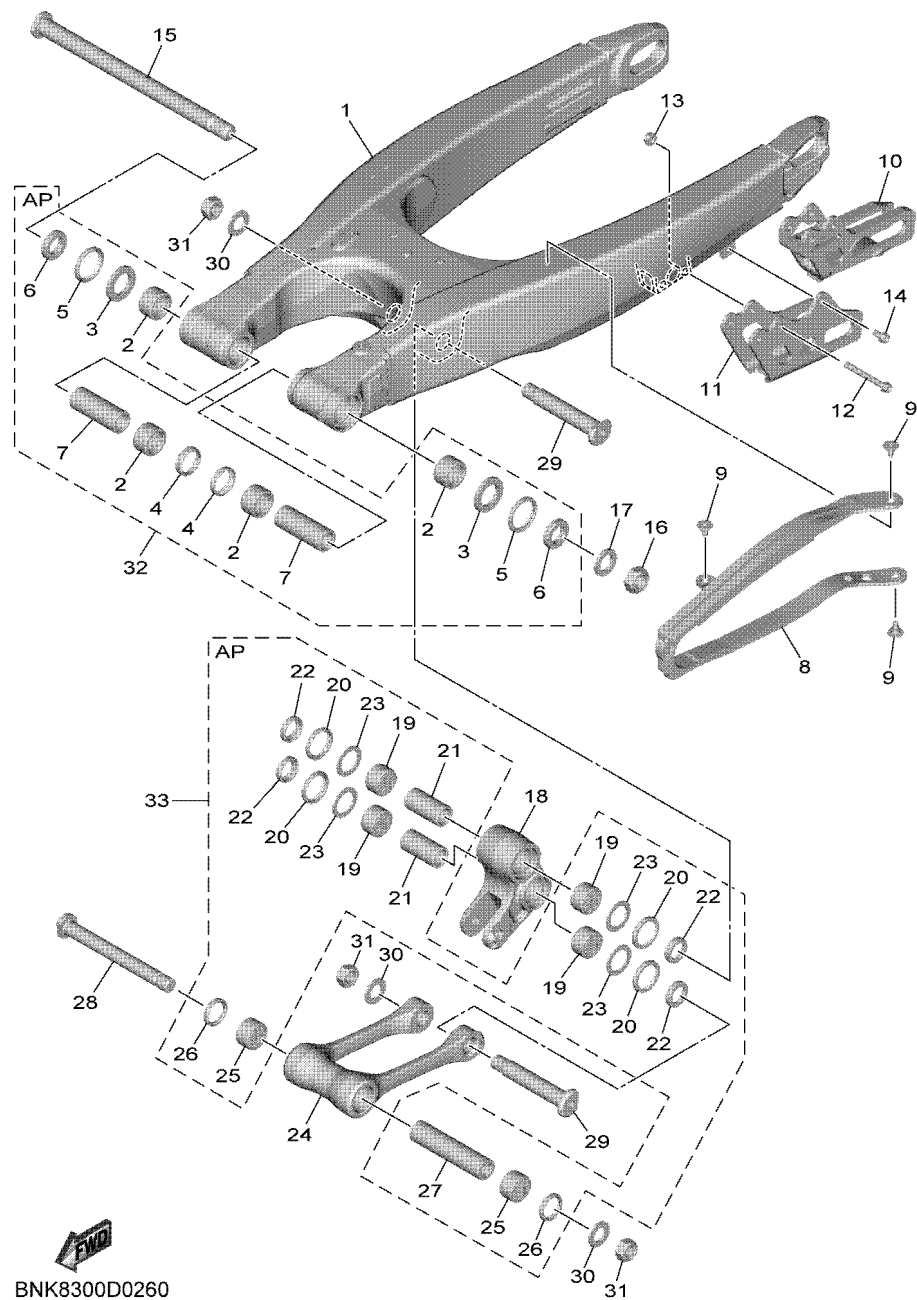
FIG. 25 SIDE COVER



REF. NO.	PART NO.	DESCRIPTION	DP01				REMARKS
26	BHR-2172F-20	PANEL 2	1				

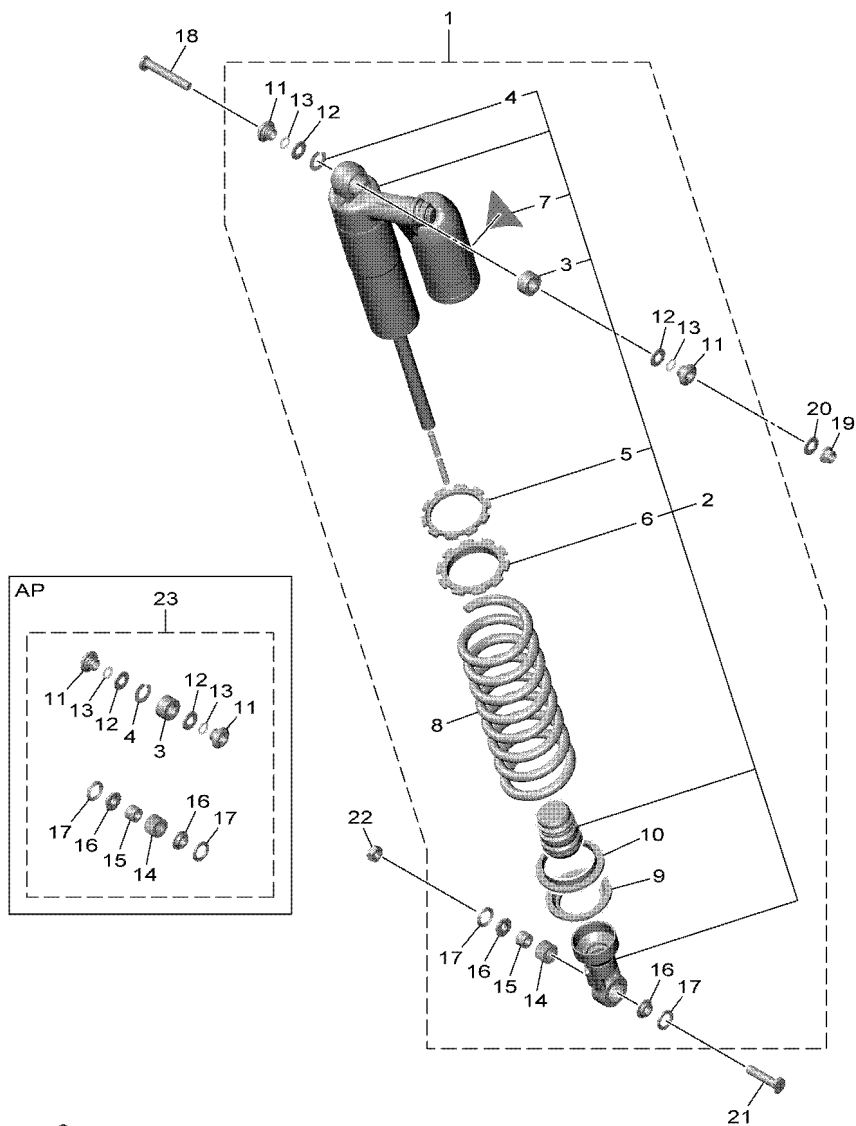
FIG. 26 REAR ARM

REF. NO.	PART NO.	DESCRIPTION	DP01				REMARKS
1	DP0-22110-00	REAR ARM COMP.	1				
2	93317-22262	BEARING	4				
3	93342-22217	BEARING	2				
4	93106-22002	OIL SEAL	2				
5	93109-28043	OIL SEAL	2				
6	90387-17019	COLLAR	2				
7	90387-1714S	COLLAR	2				
8	34P-22151-01	SEAL, GUARD	1				
9	1C3-22969-90	SCREW, 1	3				
10	2S2-22199-70	SUPPORT, CHAIN	1				
11	2S2-22128-70	COVER, THRUST 1	1				
12	95E32-06050	BOLT, FLANGE DEEP RECESS	2				
13	95702-06500	NUT, FLANGE	2				
14	95E32-06010	BOLT, FLANGE DEEP RECESS	1				
15	33D-22141-00	SHAFT, PIVOT	1				
16	90185-16002	NUT, SELF-LOCKING	1				
17	90201-16018	WASHER, PLATE	1				
18	17D-2217A-00	ARM, RELAY	1				
19	93315-32166	BEARING	4				
20	93109-25001	OIL SEAL	4				
21	90387-16026	COLLAR	2				
22	90209-16011	WASHER	4				
23	90201-21014	WASHER, PLATE	4				
24	BR9-2217F-00	ROD, CONNECTING 1	1				
25	93315-32166	BEARING	2				
26	93109-21001	OIL SEAL	2				
27	90387-14016	COLLAR	1				



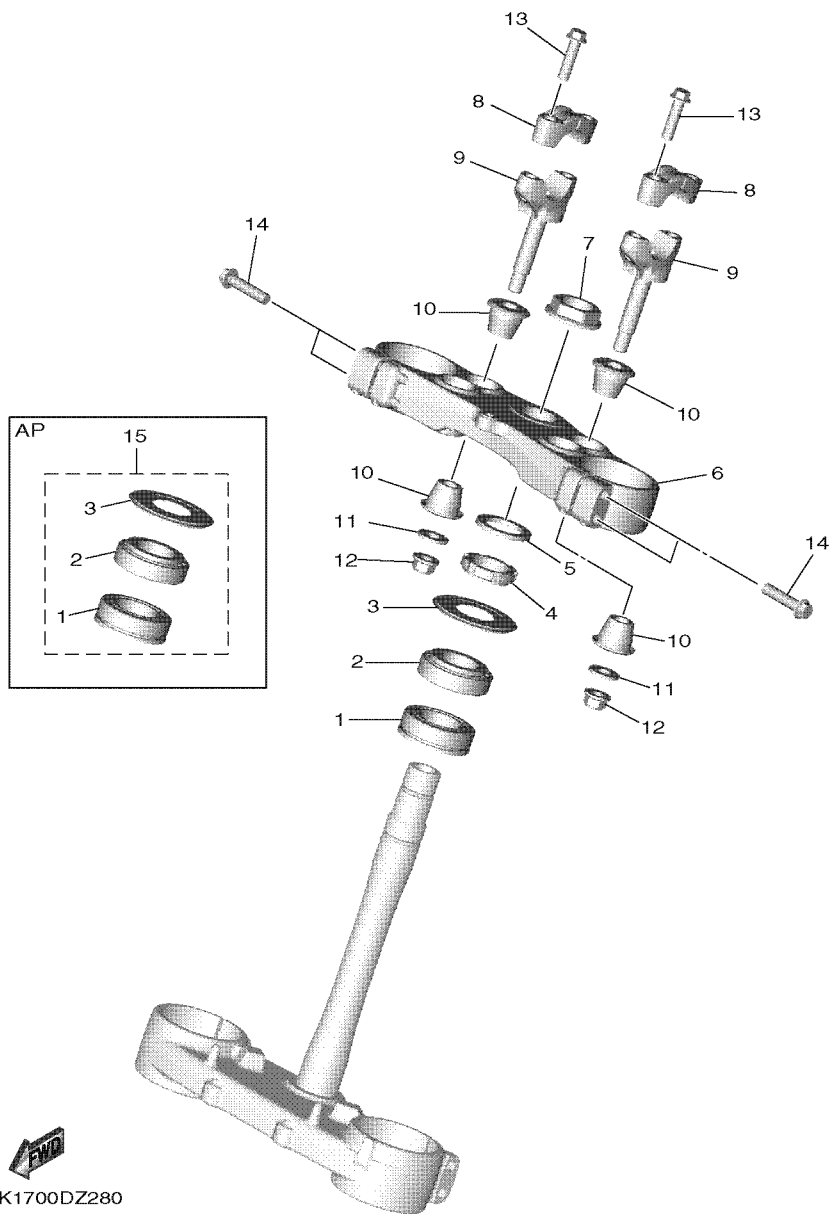
BNK8300D0260

FIG. 27 REAR SUSPENSION



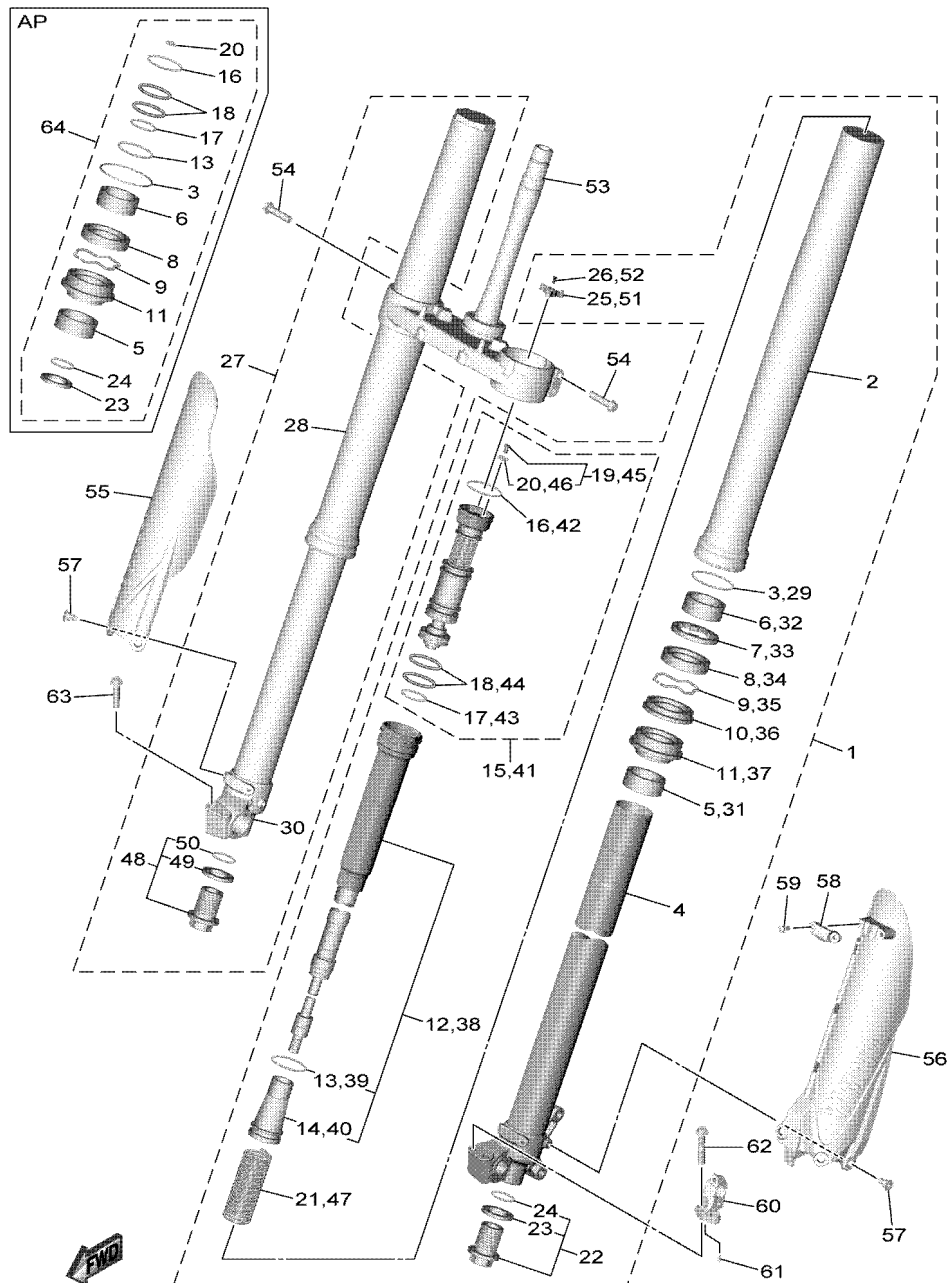
REF. NO.	PART NO.	DESCRIPTION	DP01				REMARKS
1	BNK-22200-00	SHOCK ABSORBER ASSY, REAR	1				
2	BNK-22201-00	.DAMPER SUB ASSY	1				
3	4JX-22226-00	..BUSH, SHOCK ABSORBER LOWER	1				
4	5DH-23183-00	..CIRCLIP	1				
5	33D-22234-00	..GUIDE, SPRING 3	1				
6	1SL-22213-00	..SEAT, SPRING UPPER	1				
7	4AA-22259-40	..LABEL, WARNING	1				
8	BR9-22212-A0	..SPRING (K=56 SILVER)	1				STD
9	33D-22214-00	..GUIDE, SPRING 1	1				
10	33D-22224-00	..GUIDE, SPRING 2	1				
11	1C3-22253-50	..COLLAR, DISTANCE	2				
12	3JE-22475-00	..SEAL, DUST	2				
13	4EW-22474-00	..SEAL, RING	2				
14	5UN-22176-00	..BEARING	1				
15	5MV-22184-00	..BUSH	1				
16	1C3-22253-L1	..COLLAR, DISTANCE	2				
17	5NY-22475-00	..SEAL, DUST	2				
18	5XE-22242-01	BOLT 2	1				
19	95602-10200	NUT, SELF-LOCKING	1				
20	92902-10200	WASHER	1				
21	5NY-22241-00	BOLT 1	1				
22	90185-10012	NUT, SELF-LOCKING	1				
23	1SS-W002G-00	SHOCK BEARING KIT	1				AP

FIG. 28 STEERING



REF. NO.	PART NO.	DESCRIPTION	DP01				REMARKS
1	93332-00081	BEARING	1				
2	93332-00068	BEARING	1				
3	17D-23416-50	COVER, BALL RACE 2	1				
4	90179-28015	NUT	1				
5	90201-28020	WASHER, PLATE	1				
6	B2W-23435-00	CROWN, HANDLE	1				
7	90179-24004	NUT	1				
8	B2W-23441-00	HOLDER, HANDLE UPPER	2				
9	B2W-23442-10	HOLDER, HANDLE LOWER	2				
10	1SL-23434-00	HOLDER, DAMPER	4				
11	90201-10035	WASHER, PLATE	2				
12	95602-10200	NUT, SELF-LOCKING	2				
13	95E34-08030	BOLT, FLANGE DEEP RECESS	4				
14	95E34-08035	BOLT, FLANGE DEEP RECESS	4				
15	BNK-W000B-00	STEERING BEARING KIT	1				AP

FIG. 29 FRONT FORK



BNK8300D0300

REF. NO.	PART NO.	DESCRIPTION	DP01				REMARKS
1	BNK-23102-00	FRONT FORK ASSY (L.H)	1				
2	33D-23136-00	.TUBE, OUTER	1				
3	17D-23153-00	.RING, SNAP	1				
4	BNK-23120-00	.INNER TUBE COMP.2	1				
5	5XE-23171-L0	.PISTON, FRONT FORK	1				
6	5XE-23125-L0	.METAL, SLIDE 1	1				
7	5XC-23146-10	.WASHER, OIL SEAL	1				
8	B29-23145-00	.OIL SEAL	1				
9	5XE-23153-L0	.RING, SNAP	1				
10	B29-4381D-00	.SCRAPER	1				
11	BHR-23144-00	.SEAL, DUST	1				
12	BNK-23170-00	.CYLINDER COMP., FRONT FORK	1				
13	1C3-23147-L1	..O-RING	1				
14	BR9-23142-01	..SEAT, SPRING UPPER	1				
15	BNK-2316A-00	.VALVE COMP.	1				
16	1C3-23188-L2	..O-RING	1				
17	1C3-23188-P0	..O-RING	1				
18	1AE-23147-01	..O-RING	2				
19	1C3-23190-L1	..AIR VALVE COMP.	1				
20	1C3-23188-R1	...O-RING	1				
21	BR9-23141-50	.SPRING, FRONT FORK (K=4.8)	1				
22	5XC-23111-01	.BOLT, CAP	1				
23	2HH-23158-L0	..GASKET	1				
24	276-23114-02	..GASKET	1				
25	BHR-2319W-00	.CAP	1				
26	1MC-23119-10	.SCREW	1				
27	BNK-23103-00	FRONT FORK ASSY (R.H)	1				

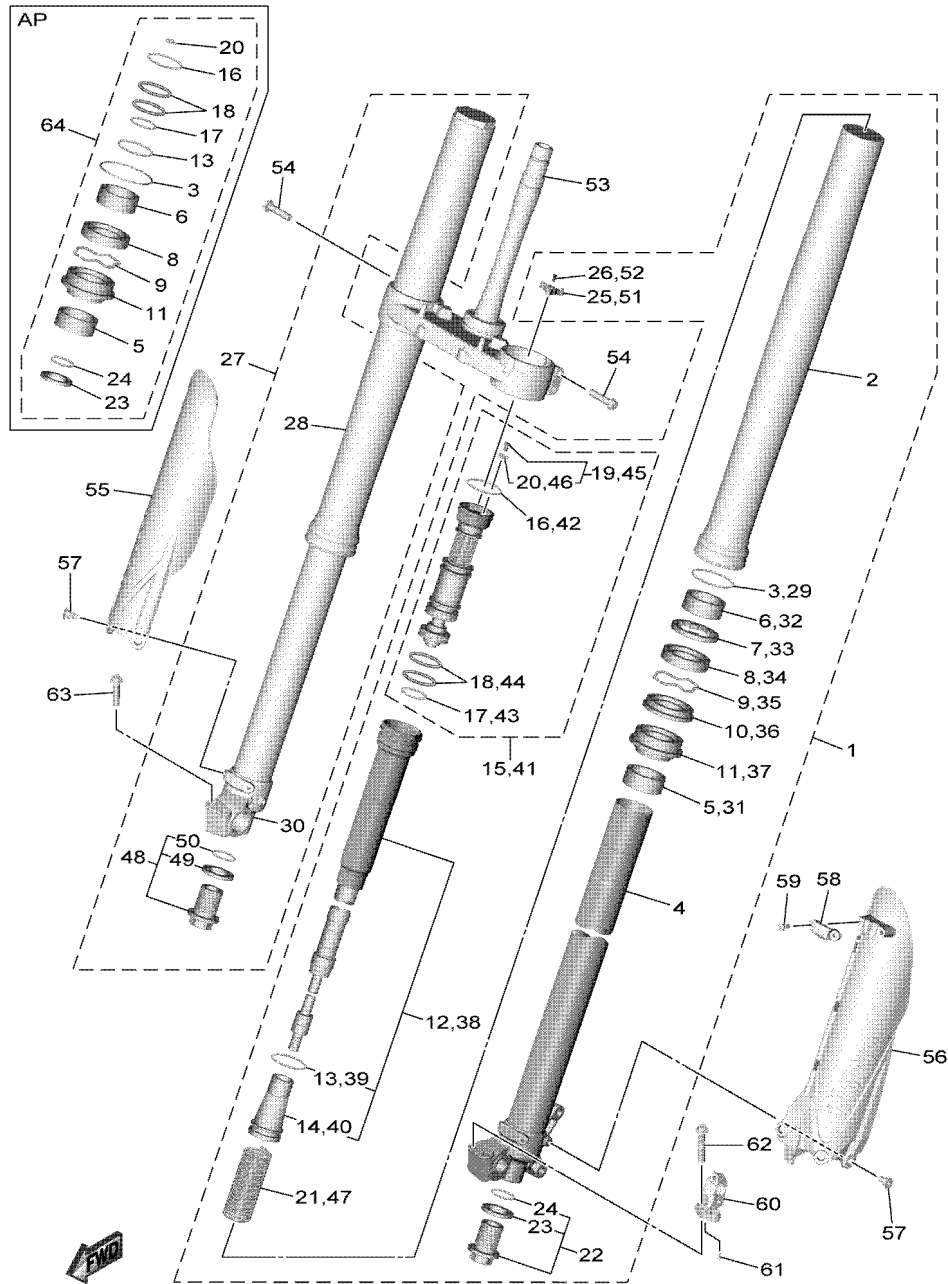
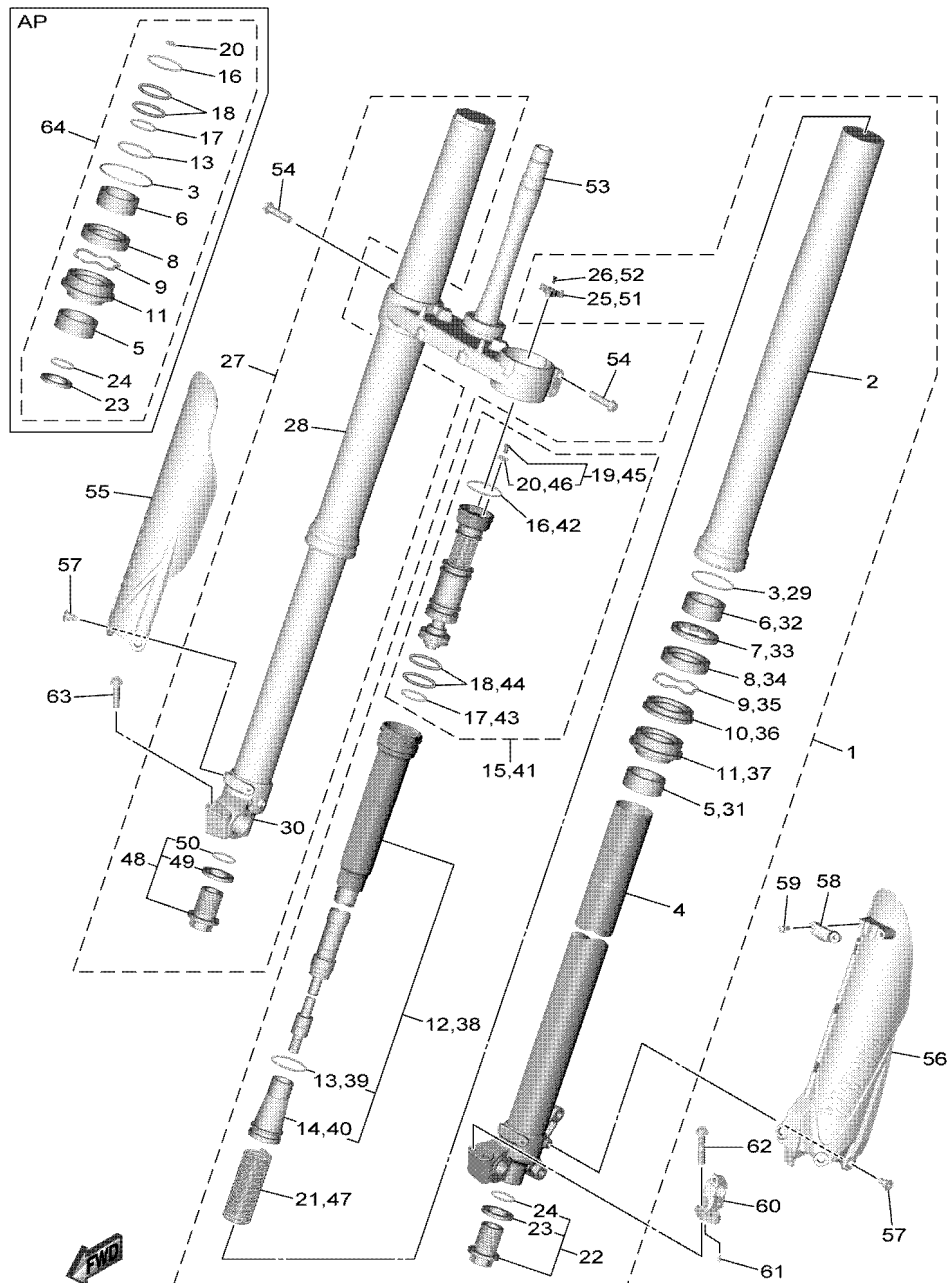


FIG. 29 FRONT FORK

REF. NO.	PART NO.	DESCRIPTION	DP01				REMARKS
28	33D-23136-00	.TUBE, OUTER	1				
29	17D-23153-00	.RING, SNAP	1				
30	BNK-23110-00	.INNER TUBE COMP.1	1				
31	5XE-23171-L0	.PISTON, FRONT FORK	1				
32	5XE-23125-L0	.METAL, SLIDE 1	1				
33	5XC-23146-10	.WASHER, OIL SEAL	1				
34	B29-23145-00	.OIL SEAL	1				
35	5XE-23153-L0	.RING, SNAP	1				
36	B29-4381D-00	.SCRAPER	1				
37	BHR-23144-00	.SEAL, DUST	1				
38	BNK-23170-00	.CYLINDER COMP., FRONT FORK	1				
39	1C3-23147-L1	..O-RING	1				
40	BR9-23142-01	..SEAT, SPRING UPPER	1				
41	BNK-2316A-00	.VALVE COMP.	1				
42	1C3-23188-L2	..O-RING	1				
43	1C3-23188-P0	..O-RING	1				
44	1AE-23147-01	..O-RING	2				
45	1C3-23190-L1	..AIR VALVE COMP.	1				
46	1C3-23188-R1	...O-RING	1				
47	BR9-23141-50	.SPRING, FRONT FORK (K=4.8)	1				
48	5XC-23111-01	.BOLT, CAP	1				
49	2HH-23158-L0	..GASKET	1				
50	276-23114-02	..GASKET	1				
51	BHR-2319W-00	.CAP	1				
52	1MC-23119-10	.SCREW	1				
53	B7R-23340-00	UNDER BRACKET COMP.	1				
54	95E34-08035	BOLT, FLANGE DEEP RECESS	4				

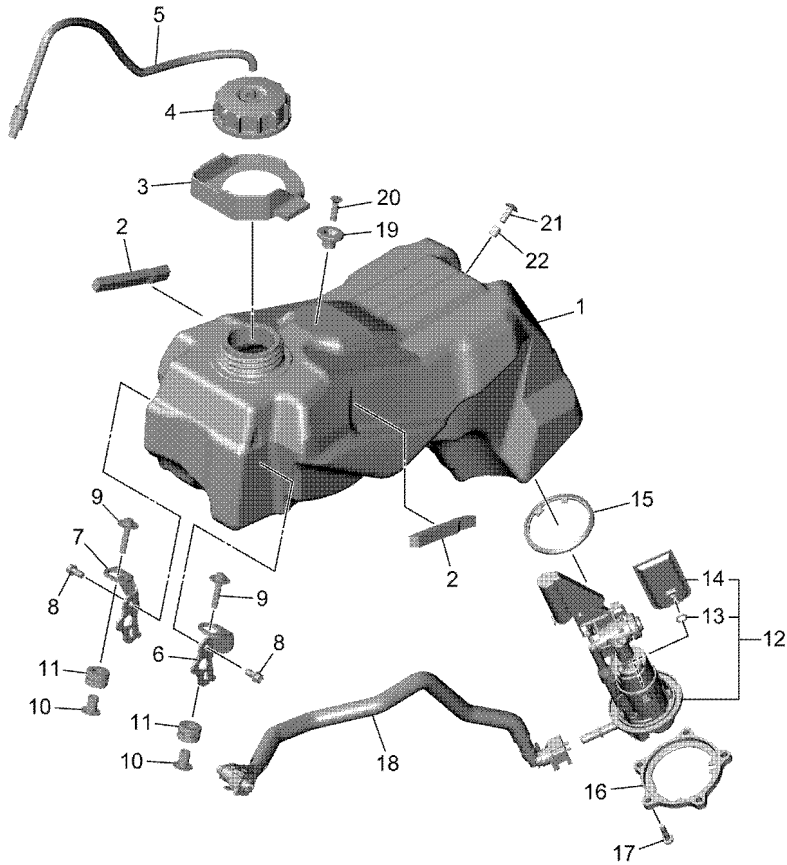
BNK8300D0300

FIG. 29 FRONT FORK



BNK8300D0300

REF. NO.	PART NO.	DESCRIPTION	DP01				REMARKS
55	17D-2315J-K0	PROTECTOR 2	1				
56	B7R-2315H-30	PROTECTOR 1	1				
57	90109-06232	BOLT	6				
58	B7R-23466-00	CLAMP	1				
59	90110-05028	BOLT, HEXAGON SOCKET HEAD	2				
60	B7R-83955-00	BRACKET 1	1				
61	93603-07073	PIN, DOWEL	2				
62	95E34-08045	BOLT, FLANGE DEEP RECESS	2				
63	95E34-08035	BOLT, FLANGE DEEP RECESS	2				
64	BHR-W003B-00	FORK SEALS KIT	1				AP

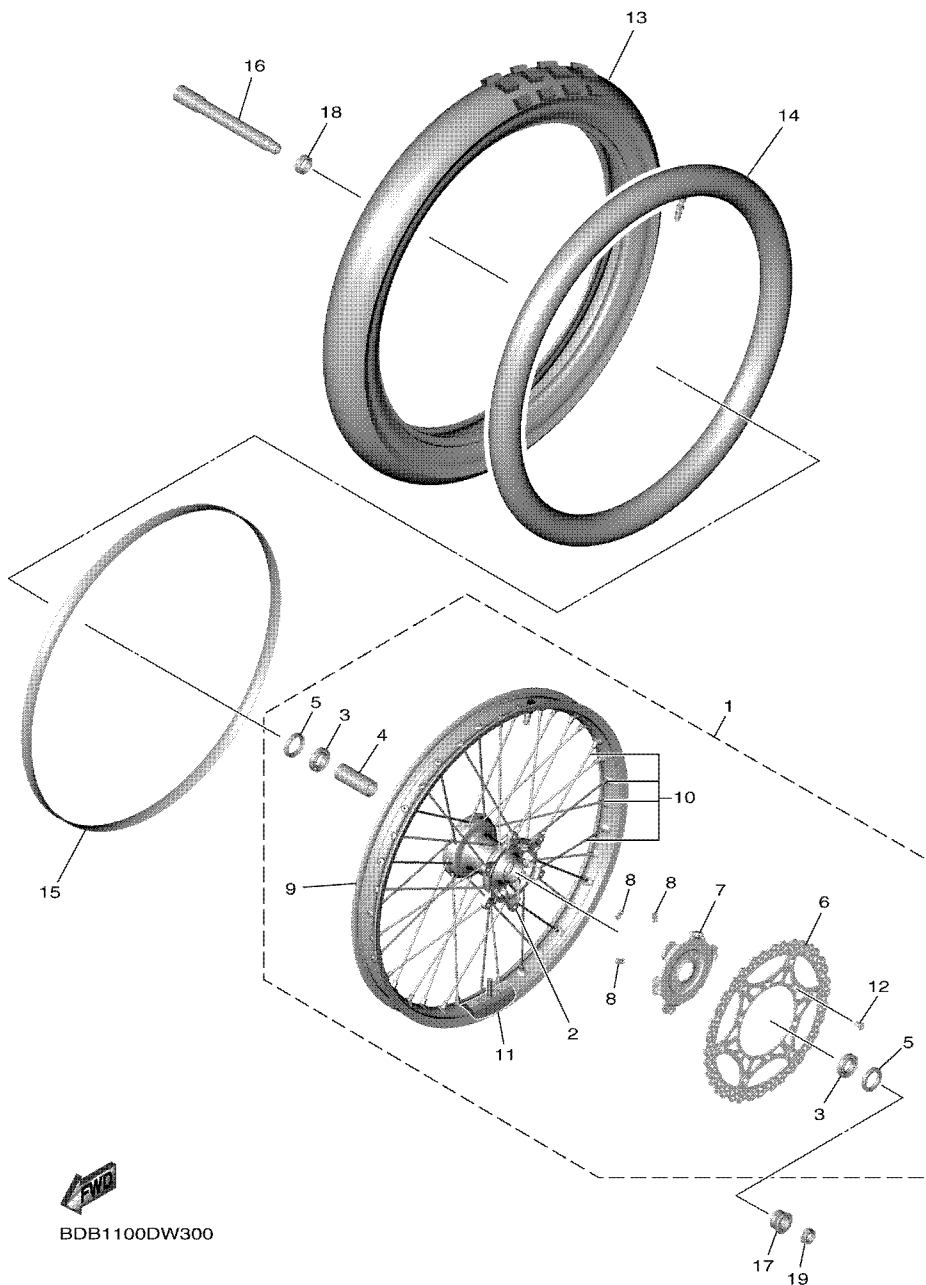



DP01300D1300

FIG. 30 FUEL TANK

REF. NO.	PART NO.	DESCRIPTION	DP01				REMARKS
1	BNK-24110-00	FUEL TANK COMP.	1				
2	90520-10045	DAMPER, PLATE	2				
3	BNK-24188-00	MOLD, FUEL TANK	1				
4	BR9-24610-00	CAP ASSY	1				
5	90445-08050	HOSE	1				
6	BNK-24115-00	STAY, FUEL TANK 1	1				
7	BNK-24116-00	STAY, FUEL TANK 2	1				
8	95E32-06012	BOLT, FLANGE DEEP RECESS	4				
9	90119-06262	BOLT, WITH WASHER	2				
10	90387-06136	COLLAR	2				
11	90480-14038	GROMMET	2				
12	BNK-13907-00	FUEL PUMP COMP.	1				
13	3C1-24512-00	.GASKET	1				
14	B3J-13915-00	.FILTER	1				
15	B3J-2414G-00	SEAL	1				
16	B3J-24491-00	BRACKET, FUEL PUMP	1				
17	90110-05058	BOLT, HEXAGON SOCKET HEAD	5				
18	BNK-13971-00	PIPE, FUEL 1	1				
19	4EW-2412F-00	BRACKET, SEAT	1				
20	90151-06005	SCREW, COUNTERSUNK	1				
21	90149-06021	SCREW	1				
22	90387-06284	COLLAR	1				

FIG. 32 FRONT WHEEL



BDB1100DW300

REF. NO.	PART NO.	DESCRIPTION	DP01				REMARKS
1	BDB-25102-20	WHEEL RIM ASSY	1				
2	1SL-25111-00	.HUB, FRONT	1				
3	93306-97204	.BEARING	2				
4	1SL-25117-00	.SPACER, BEARING	1				
5	93102-30014	.OIL SEAL	2				
6	BDB-2581T-00	.DISK BRAKE ASSY	1				
7	B7R-2517G-00	.ROTOR, SENSOR	1				
8	B7R-2516A-00	.DAMPER	3				
9	94416-21079	.RIM (1.60-21)	1				
10	5NY-25104-00	.SPOKE SET, FRONT	1				
11	5SF-25394-00	.SPACER, BEAD	1				
12	90151-06051	.SCREW, COUNTERSUNK	6				
13	94109-21020	TIRE (90/90-21M/C 54R EN91F)	1				DUNLOP
14	94227-21101	TUBE (80/100-21 M/C TR4)	1				DUNLOP
15	94309-21161	BAND, RIM (22-21)	1				DUNLOP
16	B2W-25181-00	AXLE, WHEEL	1				
17	1SL-25183-00	COLLAR, WHEEL	1				
18	1SL-25186-00	COLLAR, WHEEL	1				
19	90179-18011	NUT	1				

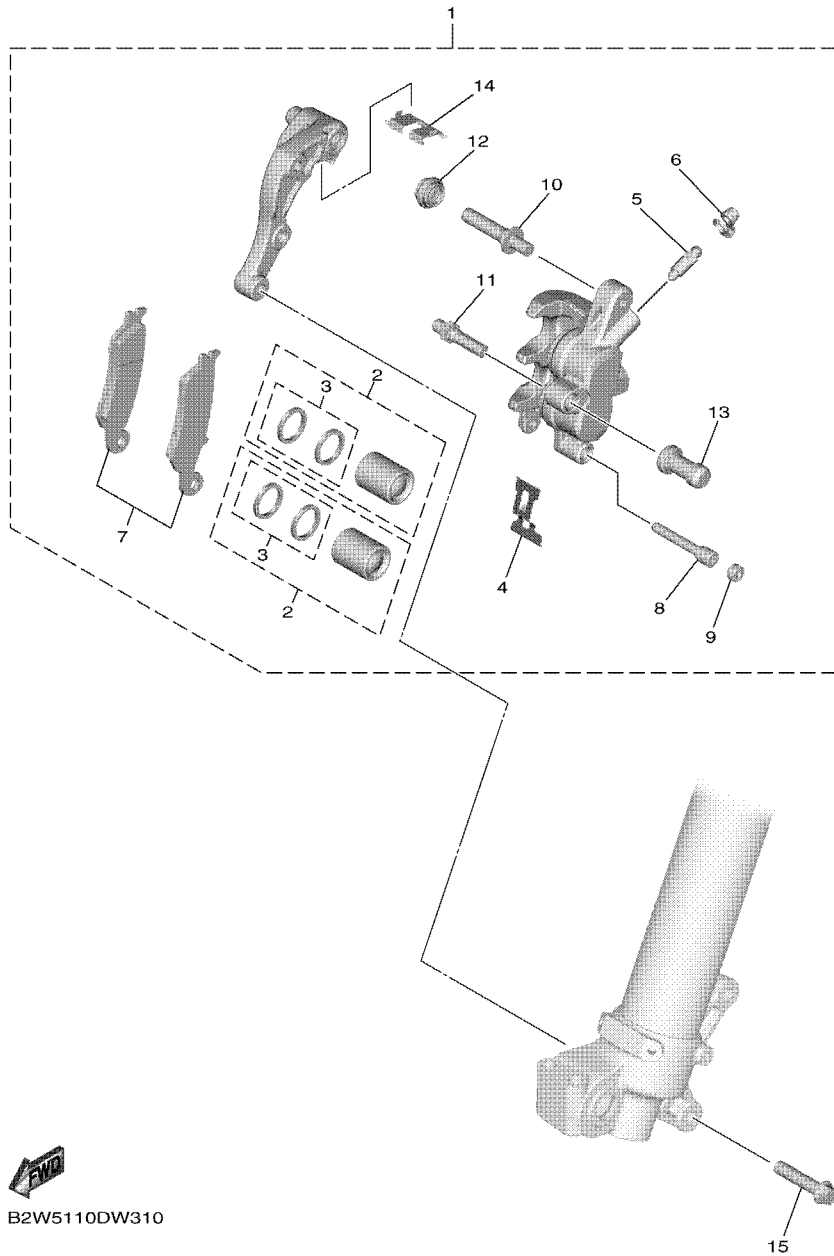


FIG. 33 FRONT BRAKE CALIPER

REF. NO.	PART NO.	DESCRIPTION	DP01				REMARKS
1	B2W-2580T-00	CALIPER ASSY (LEFT)	1				
2	B2W-25802-00	.PISTON ASSY, CALIPER	2				
3	B2W-25803-00	.CALIPER SEAL KIT	1				
4	B2W-25919-00	.SUPPORT, PAD	1				
5	1UY-25824-51	.SCREW, BLEED	1				
6	1UY-25825-51	.CAP	1				
7	B2W-25805-00	.BRAKE PAD KIT	1				
8	5DH-25933-00	.PIN, PAD	1				
9	5DH-25916-00	.PLUG	1				
10	3SP-25926-51	.BOLT	1				
11	3SP-25914-51	.PIN, SLIDE	1				
12	3JD-25917-00	.BOOT, CALIPER	1				
13	1UY-25937-51	.BOOT 2	1				
14	5XC-25849-G0	.RETAINER, CALIPER	1				
15	90105-08137	BOLT, FLANGE	2				

B2W5110DW310

FIG. 34 REAR WHEEL

REF. NO.	PART NO.	DESCRIPTION	DP01				REMARKS
1	BNK-25302-00	REAR WHEEL SUB-ASSY	1				
2	B2W-25311-00	.HUB, REAR	1				
3	17D-25317-00	.SPACER, BEARING	1				
4	93306-90511	.BEARING	3				
5	93102-32337	.OIL SEAL	2				
6	99009-42700	.CIRCLIP	1				
7	5TJ-25450-80	.SPROCKET, DRIVEN (50T)	1				STD
	5GS-25448-50	.SPROCKET, DRIVEN (48T)	1				AP
	BAK-25451-00	.SPROCKET, DRIVEN (51T)	1				AP
	5TJ-25452-80	.SPROCKET, DRIVEN (52T)	1				AP
8	90109-081G1	.BOLT	6				
9	90185-08008	.NUT, SELF-LOCKING	6				
10	90201-08043	.WASHER, PLATE	6				
11	B2W-2582W-00	.DISK, REAR BRAKE 2	1				
12	90151-06051	.SCREW, COUNTERSUNK	6				
13	BNK-25304-00	.SPOKE SET, REAR	1				
14	94421-18048	.RIM (2.15-18)	1				
15	3JE-25394-00	.SPACER, BEAD	1				
16	4XM-25364-00	.DAMPER	1				
17	90480-08608	.GROMMET	1				
18	94114-18008	TIRE (140/80-18M/C 70R EN91)	1				DUNLOP
19	94212-18188	TUBE (110-140/80-100-18 M/C)	1				DUNLOP
20	94309-18146	BAND, RIM (25-18)	1				DUNLOP
21	BR9-2530S-01	COLLAR ASSY	2				
22	1SL-25388-00	PULLER, CHAIN 1	1				
23	33D-25389-00	PULLER, CHAIN 2	1				
24	90101-08006	BOLT	2				

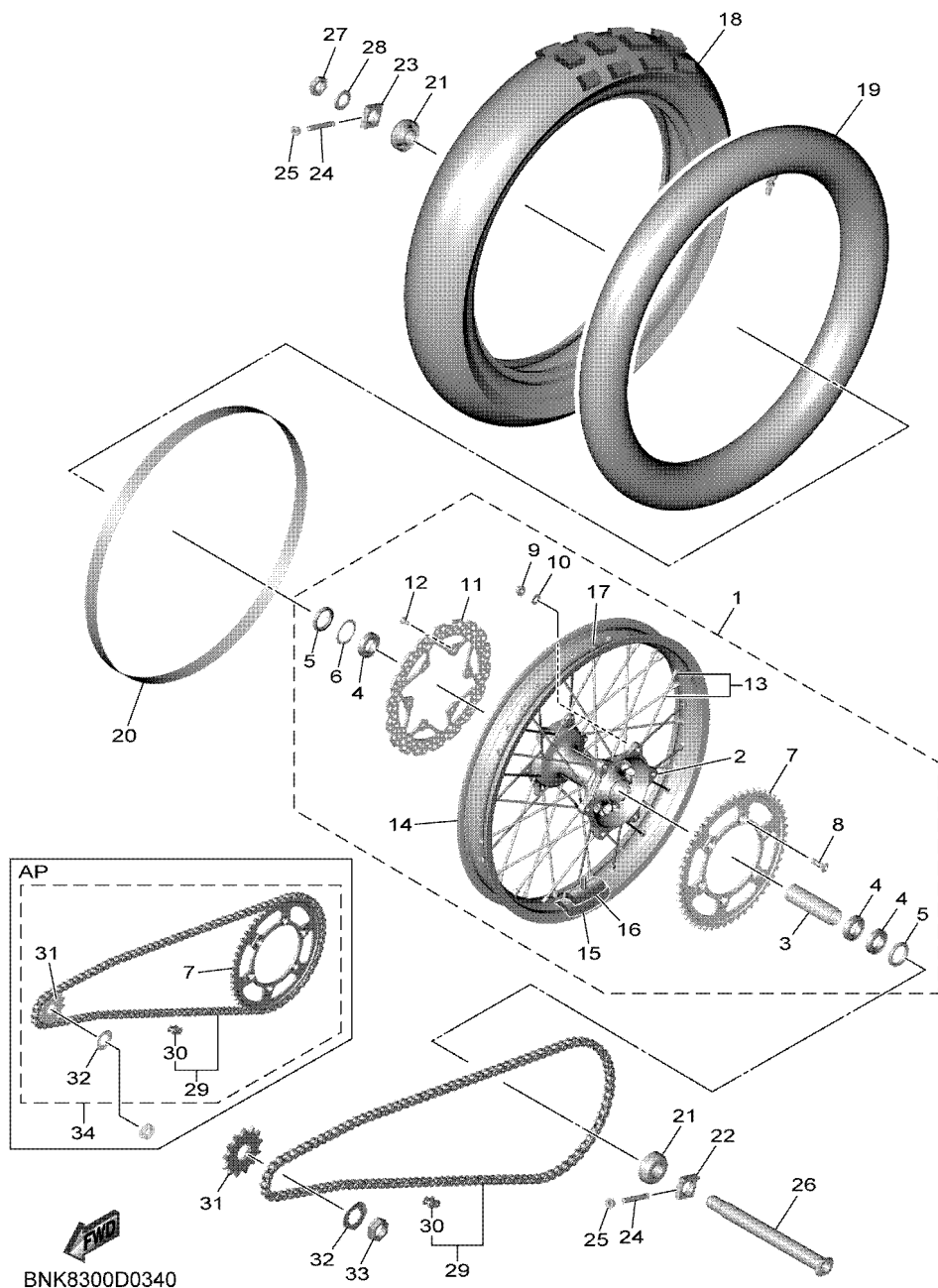


FIG. 34 REAR WHEEL

REF. NO.	PART NO.	DESCRIPTION	DP01				REMARKS
25	90179-08019	NUT	2				
26	17D-25381-00	AXLE, WHEEL	1				
27	90185-22011	NUT, SELF-LOCKING	1				
28	90201-22023	WASHER, PLATE	1				
29	9Y582-50113	CHAIN(DID520MXV5-114LL)	1				
30	94682-50021	.JOINT, CHAIN(DID520MXV5 ZJ)	1				
31	9383E-13233	SPROCKET, DRIVE (13T)	1				
32	90215-21003	WASHER, LOCK	1				
33	90179-20017	NUT	1				
34	BDB-W001A-00	CHAIN & SPROCKET KIT	1				AP

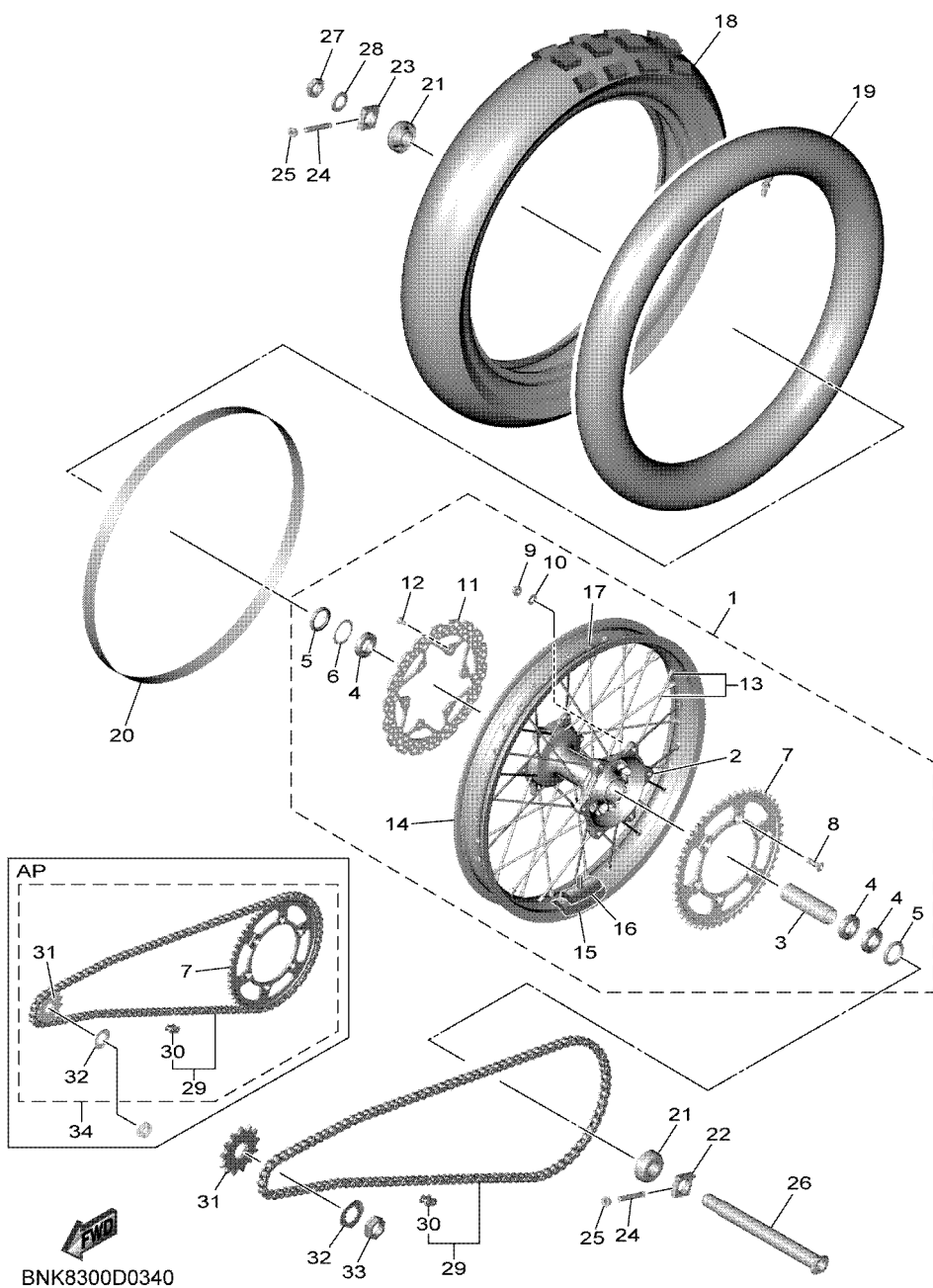
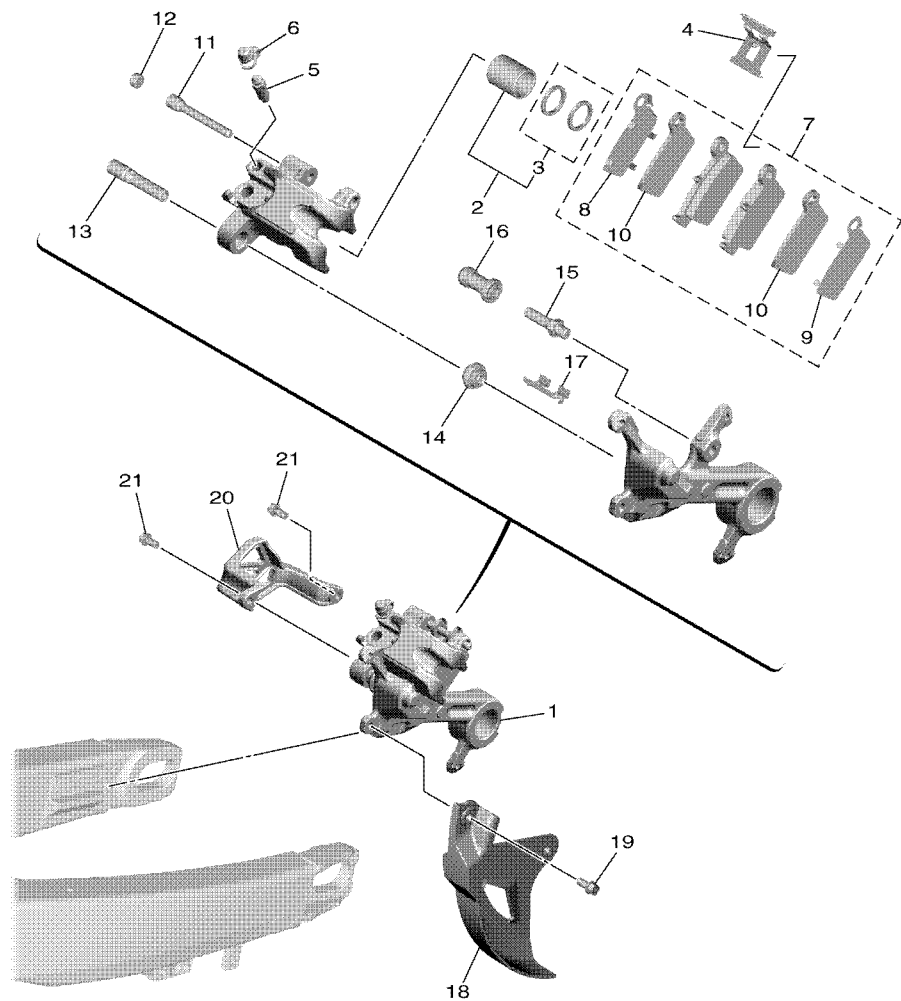


FIG. 35 REAR BRAKE CALIPER



REF. NO.	PART NO.	DESCRIPTION	DP01				REMARKS
1	BNK-2580W-00	CALIPER ASSY, REAR 2	1				
2	5UN-W0057-50	.PISTON ASSY, CALIPER	1				
3	5UN-W0047-50	..CALIPER SEAL KIT	1				
4	5DH-25919-50	.SUPPORT, PAD	1				
5	1UY-25824-51	.SCREW, BLEED	1				
6	1UY-25825-51	.CAP	1				
7	1C3-W0046-B0	.BRAKE PAD KIT 2	1				
8	5UN-25828-60	..SHIM, CALIPER	1				
9	5UN-25827-60	..SHIM, CALIPER	1				
10	5UN-22898-60	..INSULATOR, HEAT	2				
11	8CR-25924-00	.PIN, PAD	1				
12	5DH-25916-00	.PLUG	1				
13	5DH-25914-50	.PIN, SLIDE	1				
14	3JD-25917-00	.BOOT, CALIPER	1				
15	5UN-25914-00	.PIN, SLIDE	1				
16	1UY-25937-51	.BOOT 2	1				
17	5UN-25913-00	.RETAINER	1				
18	17D-25718-50	PROTECTOR, DISK BRAKE	1				
19	95E32-06012	BOLT, FLANGE DEEP RECESS	2				
20	B2W-2583E-00	PROTECTOR, CALIPER 2	1				
21	95E32-06012	BOLT, FLANGE DEEP RECESS	2				


BNL1110DZ350

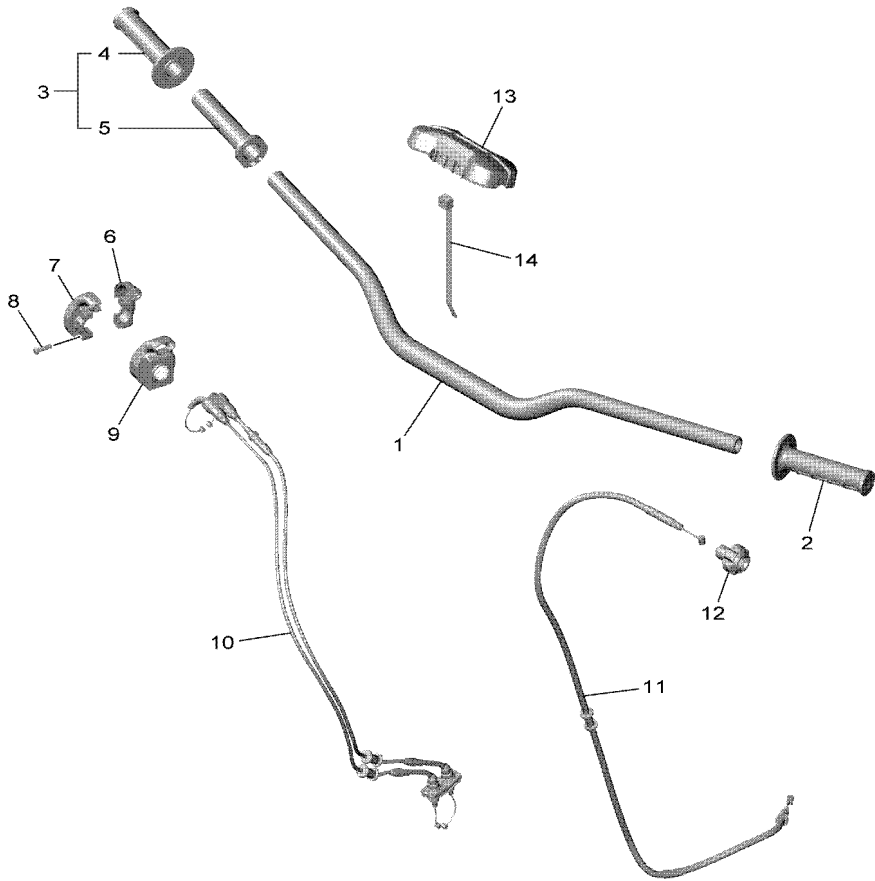


FIG. 36 STEERING HANDLE & CABLE

REF. NO.	PART NO.	DESCRIPTION	DP01				REMARKS
1	BR9-26111-20	HANDLEBAR	1				
2	4GY-26241-00	GRIP	1				
3	D02-26240-10	GRIP ASSY	1				
4	4GY-26242-00	.GRIP (RIGHT)	1				
5	D02-26243-00	.TUBE, THROTTLE GUIDE	1				
6	5BE-26281-01	CAP, GRIP UPPER	1				
7	5BE-26282-00	CAP, GRIP UNDER	1				
8	98507-05020	SCREW, PAN HEAD	2				
9	5SF-26287-11	COVER, CAP GRIP	1				
10	BNK-26302-00	THROTTLE CABLE ASSY	1				
11	BHR-26335-00	WIRE, CLUTCH	1				
12	34P-26342-00	BOOT, CABLE	1				
13	BHR-26124-00	PROTECTOR, HANDLEBAR	1				
14	90464-13073	CLAMP	2				(125.0x7.0)

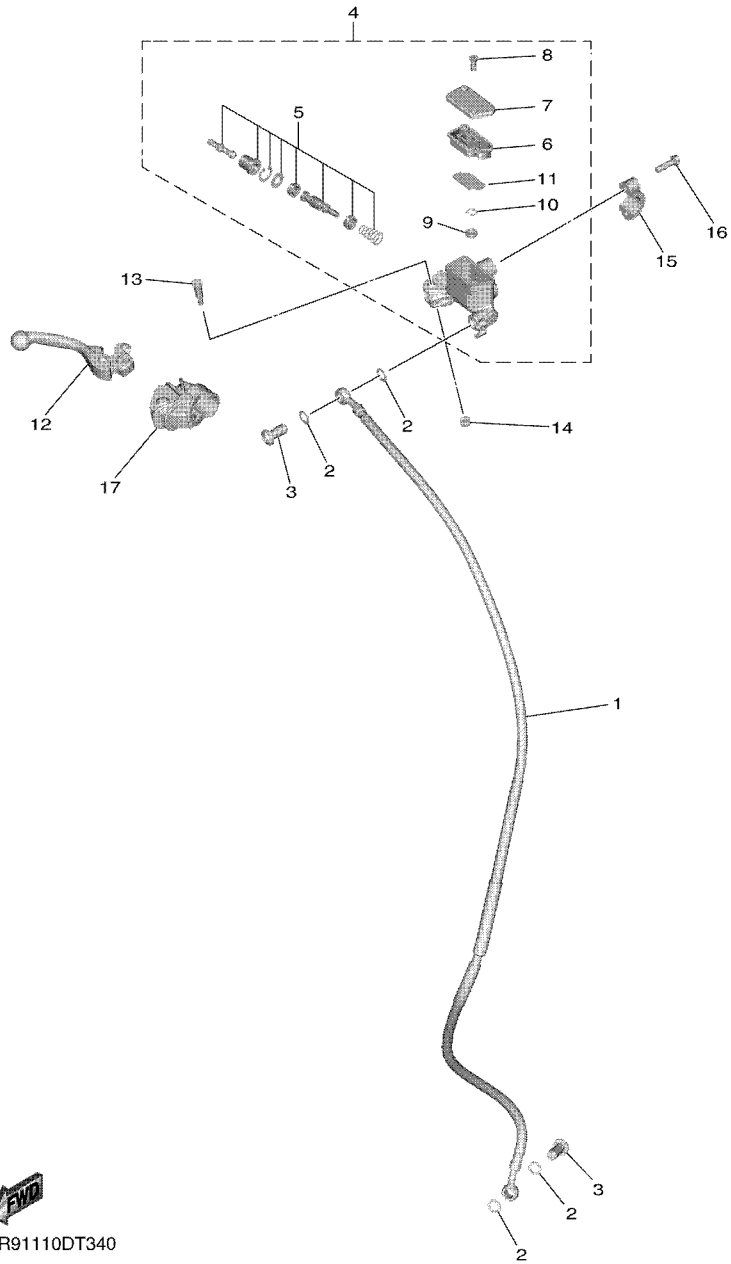
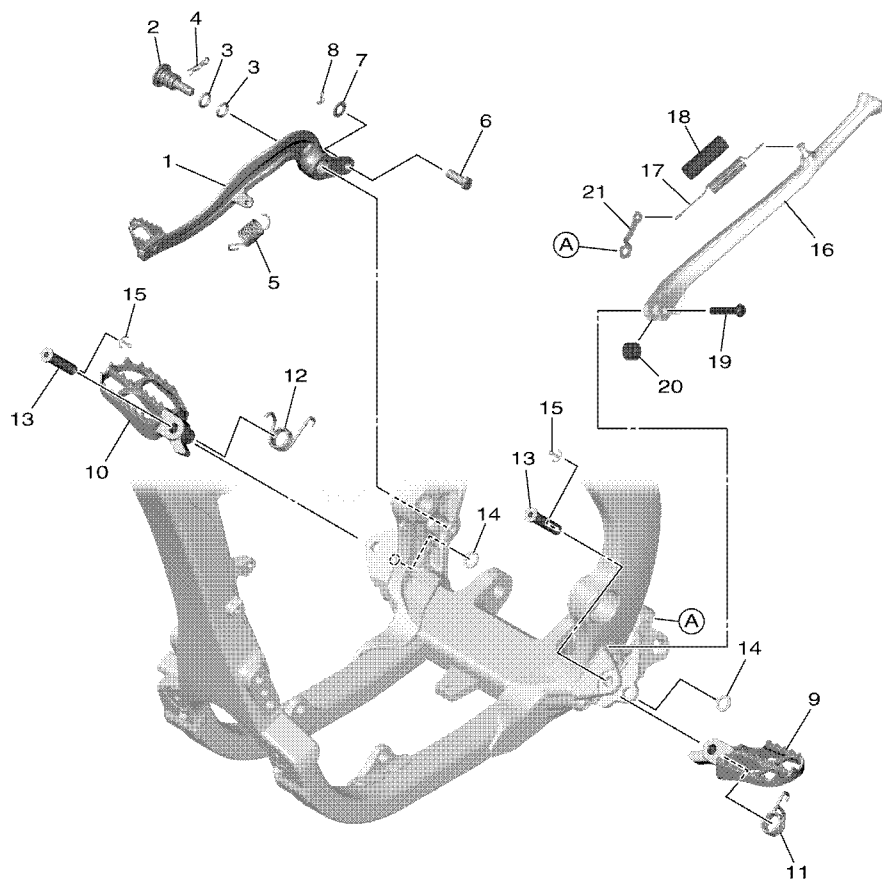


FIG. 37 FRONT MASTER CYLINDER

REF. NO.	PART NO.	DESCRIPTION	DP01				REMARKS
1	B7R-25872-00	HOSE, BRAKE 1	1				
2	90430-10005	GASKET	4				
3	90401-10172	BOLT, UNION	2				
4	5XC-W2587-00	MASTER CYLINDER SUB ASSY	1				
5	5XC-W0041-00	.CYLINDER KIT, MASTER	1				
6	5XC-25854-G0	.DIAPHRAGM, RESERVOIR	1				
7	5XC-25852-G0	.CAP, RESERVOIR	1				
8	98707-04012	.SCREW, FLAT HEAD	2				
9	5CG-25715-00	.SEPARATOR ASSY	1				
10	5CG-2585G-00	.CIRCLIP	1				
11	5XC-25853-G0	.FLOAT, RESERVOIR	1				
12	B2W-83922-00	LEVER 2	1				
13	5MV-2589F-00	BOLT, LEVER	1				
14	95701-06500	NUT, WITH WASHER	1				
15	5MV-25867-00	BRACKET, MASTER CYLINDER	1				
16	5MV-25833-00	BOLT, FITTING	2				
17	5XC-26372-G0	COVER, HANDLE LEVER 1	1				

BR91110DT340

FIG. 38 STAND & FOOTREST



REF. NO.	PART NO.	DESCRIPTION	DP01				REMARKS
1	BHR-27200-00	PEDAL, BRAKE	1				
2	17D-27217-00	BOLT	1				
3	93210-11073	O-RING	2				
4	90468-16001	CLIP	1				
5	90506-20031	SPRING, TENSION	1				
6	90240-08120	PIN, CLEVIS	1				
7	90201-08044	WASHER, PLATE	1				
8	91402-20012	PIN, COTTER	1				
9	BHR-27411-00	FOOTREST 1	1				
10	BHR-27421-00	FOOTREST 2	1				
11	90508-28040	SPRING, TORSION	1				
12	90508-28023	SPRING, TORSION	1				
13	90240-10004	PIN, CLEVIS	2				
14	90201-10032	WASHER, PLATE	2				
15	91402-25015	PIN, COTTER	2				
16	B3J-27311-01	STAND, SIDE	1				
17	90506-26013	SPRING, TENSION	1				
18	90445-22327	HOSE (L70)	1				
19	90111-10050	BOLT, HEXAGON SOCKET BUTTON	1				
20	90387-10020	COLLAR	1				
21	B3J-27315-00	LINK, SIDE STAND	1				


BNL1110DZ380

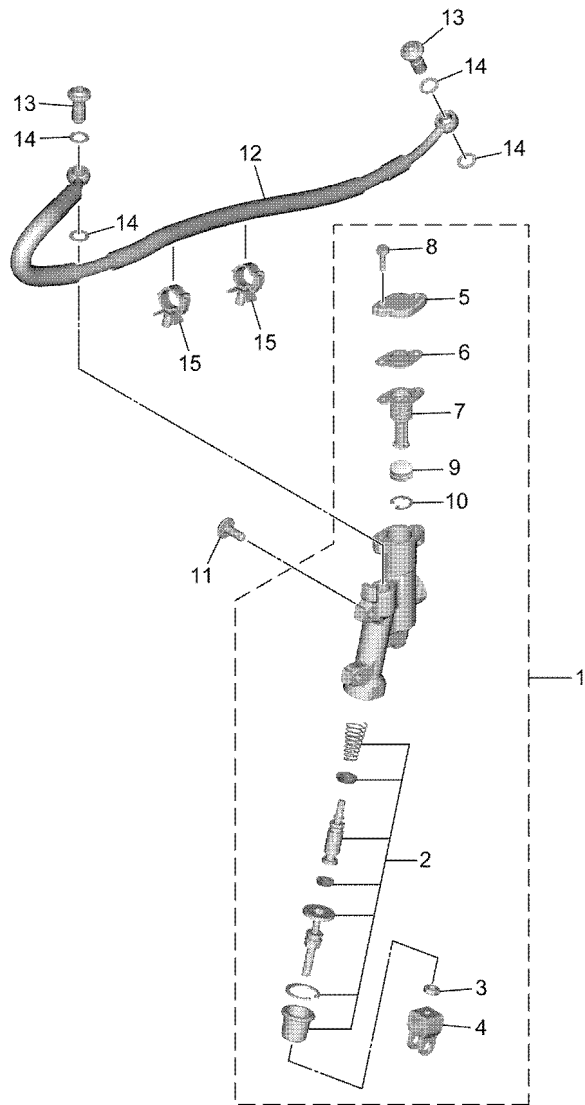
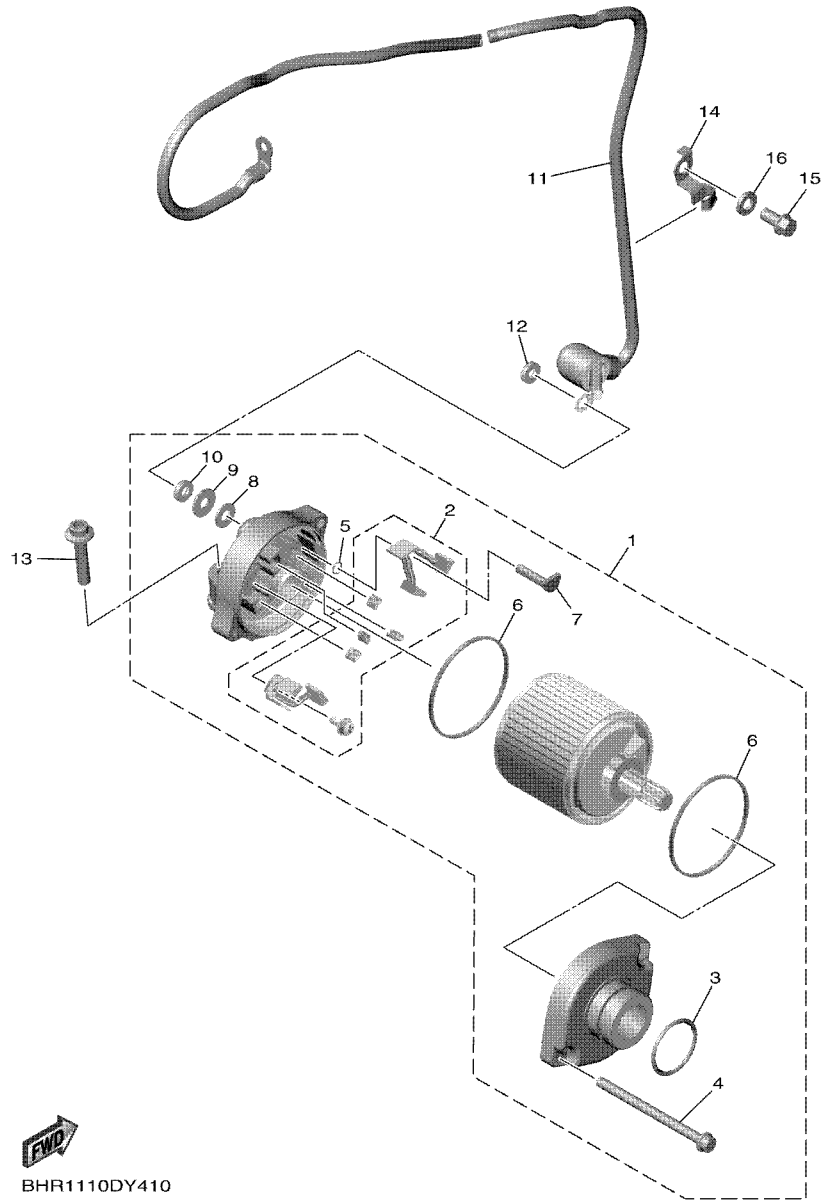


FIG. 39 REAR MASTER CYLINDER

REF. NO.	PART NO.	DESCRIPTION	DP01				REMARKS
1	33D-2583V-00	RR. MASTER CYLINDER ASSY.	1				
2	5UN-W0042-50	.CYLINDER KIT, MASTER	1				
3	5UN-27218-00	.NUT	1				
4	5UN-27222-00	.JOINT	1				
5	5UN-25852-50	.CAP, RESERVOIR	1				
6	5UN-2585B-00	.PLATE, DIAPHRAGM	1				
7	5UN-25854-00	.DIAPHRAGM, RESERVOIR	1				
8	5UN-27217-00	.BOLT	2				
9	5CG-25715-00	.SEPARATOR ASSY	1				
10	5CG-2585G-00	.CIRCLIP	1				
11	90111-06116	BOLT, HEXAGON SOCKET BUTTON	2				
12	B2W-25873-01	HOSE, BRAKE 2	1				
13	90401-10172	BOLT, UNION	2				
14	90430-10005	GASKET	4				
15	90464-14013	CLAMP	2				

DP01300D1390

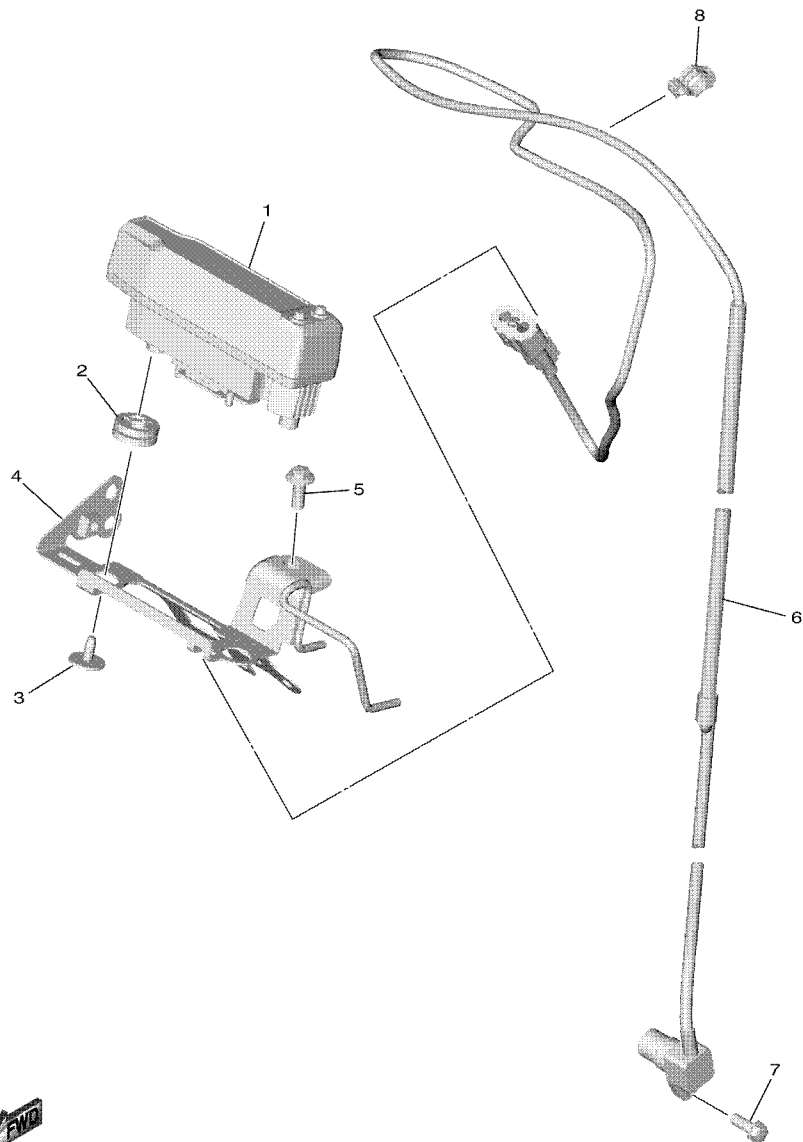


BHR1110DY410

FIG. 41 STARTING MOTOR

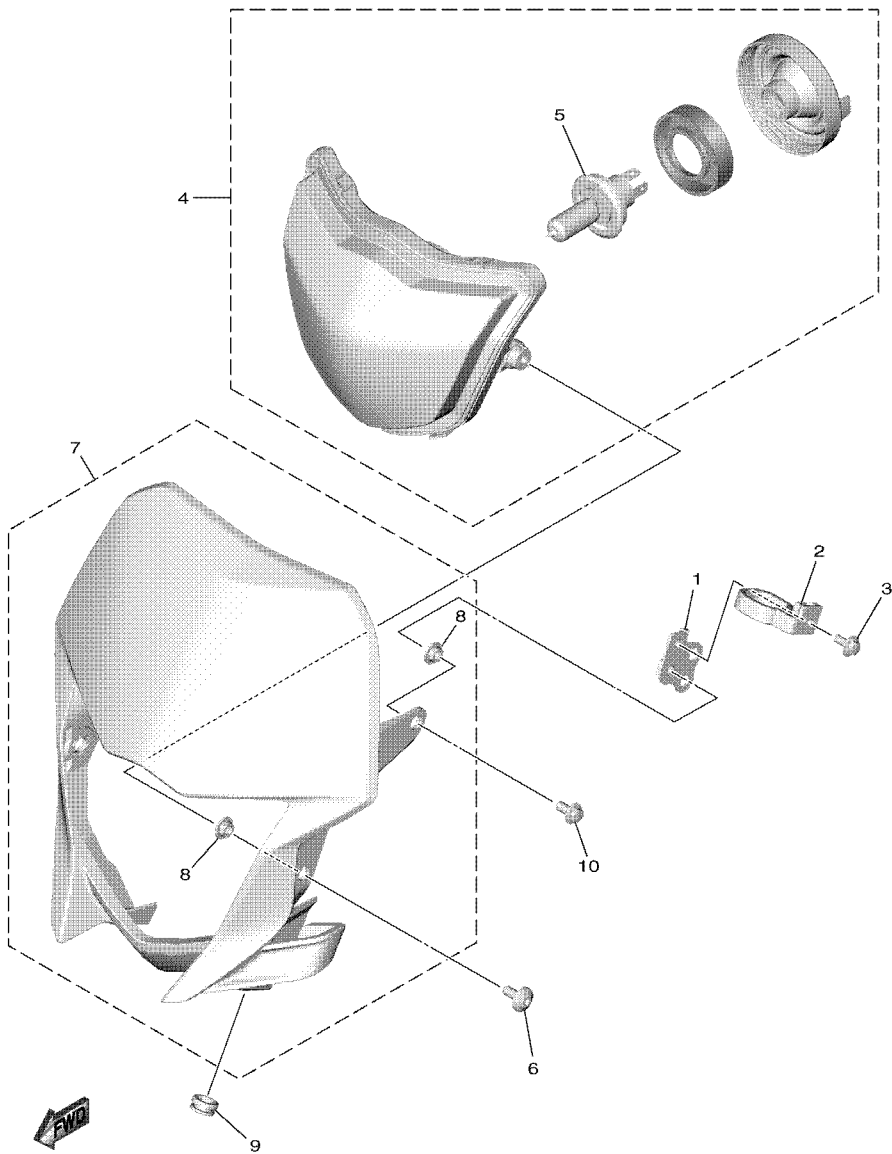
REF. NO.	PART NO.	DESCRIPTION	DP01				REMARKS
1	BHR-81890-00	MOTOR ASSY	1				
2	2CR-81801-10	.BRUSH SET	1				
3	4FP-H182L-00	.O-RING 1	1				
4	BR9-81846-00	.SCREW	2				
5	BR9-8182L-00	.O-RING 1	1				
6	BR9-81861-00	.GASKET	2				
7	2CR-81828-10	.BOLT 2	1				
8	8FA-8181L-00	.WASHER, PLAIN	1				
9	1D7-81835-00	.WASHER	1				
10	95302-06700	.NUT, HEXAGON	1				
11	BNK-8183G-00	CORD COMP.	1				
12	95302-06700	NUT, HEXAGON	1				
13	90110-06346	BOLT, HEXAGON SOCKET HEAD	1				
14	BHR-81679-00	CLAMP 3	1				
15	95E32-06012	BOLT, FLANGE DEEP RECESS	1				
16	90201-06105	WASHER, PLATE	1				

FIG. 42 METER



BDB1100DW400

REF. NO.	PART NO.	DESCRIPTION	DP01				REMARKS
1	BDB-83500-01	METER ASSY (KM/H)	1				
	BDB-83500-11	METER ASSY (MPH)	1				FOR GBR
2	90480-14034	GROMMET	2				
3	90160-05006	SCREW, ROUND TAPPING	2				
4	BDB-83519-00	BRACKET, METER	1				
5	90105-06170	BOLT, FLANGE	1				
6	BDB-83755-10	SENSOR, SPEED	1				
7	95022-06014	BOLT, FLANGE	1				
8	90464-12013	CLAMP	3				



BDB1100DW410

FIG. 43 HEADLIGHT

REF. NO.	PART NO.	DESCRIPTION	DP01				REMARKS
1	B7R-2831V-00	STAY, HEAD LIGHT 1	1				
2	B7R-2331E-00	GUIDE, CABLE	1				
3	90105-05028	BOLT, FLANGE	1				
4	2GB-84300-01	HEADLIGHT ASSY	1				
5	1DX-84314-00	.BULB (12V-35/35W HS1)	1				
6	90111-06127	BOLT, HEXAGON SOCKET BUTTON	2				
7	B7R-84330-10	BODY ASSY	1				
8	90387-06009	.COLLAR	4				
9	90480-12020	GROMMET	2				
10	90105-06064	BOLT, FLANGE	2				

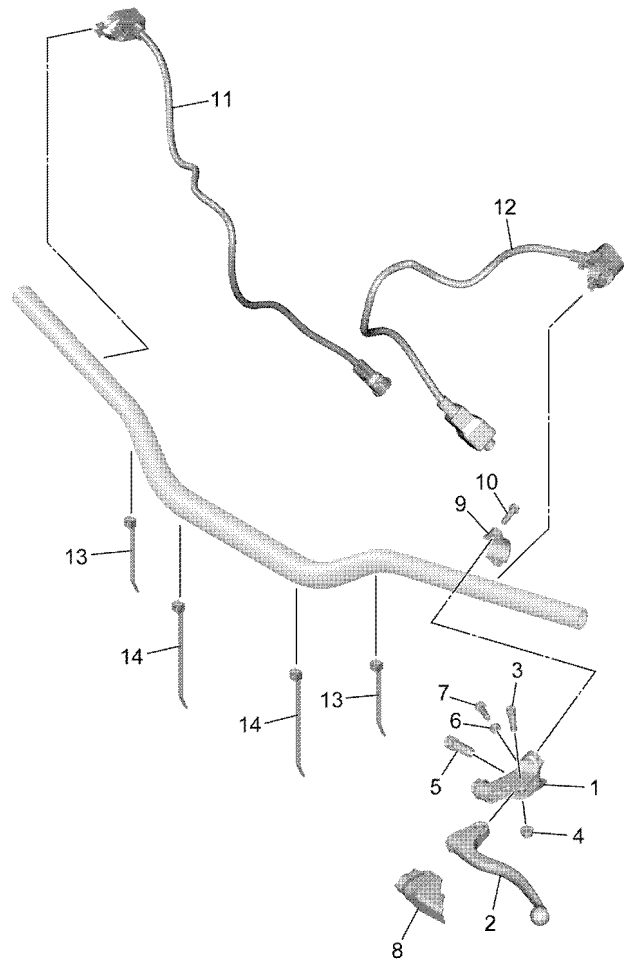


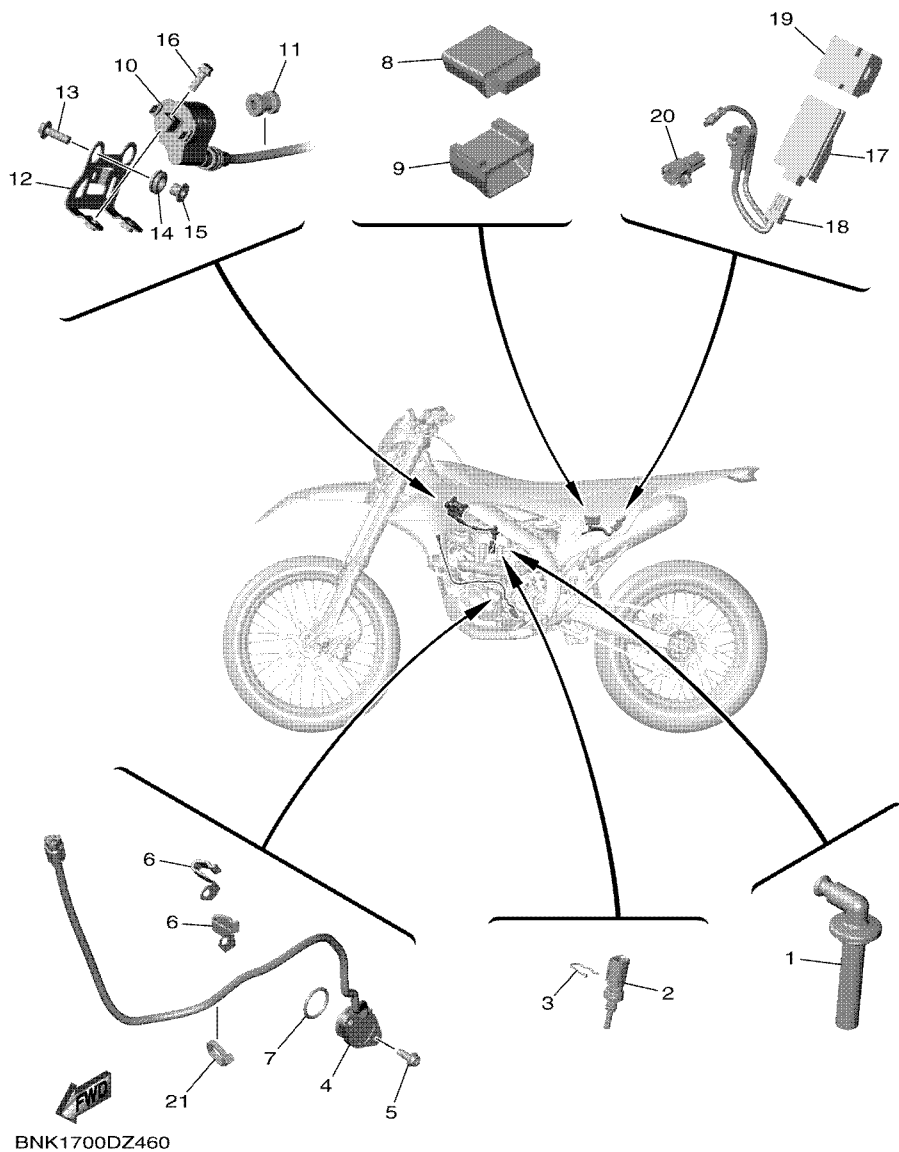
FIG. 45 HANDLE SWITCH & LEVER

REF. NO.	PART NO.	DESCRIPTION	DP01				REMARKS
1	17D-82911-00	HOLDER, LEVER 1	1				
2	17D-83912-01	LEVER 1	1				
3	90109-06034	BOLT	1				
4	5LP-84126-10	NUT, LENS FITTING	1				
5	17D-26337-00	BOLT, ADJUSTING	1				
6	95302-05600	NUT, HEXAGON	1				
7	90101-05005	BOLT	1				
8	34P-26372-00	COVER, HANDLE LEVER 1	1				
9	33D-82913-00	HOLDER, LEVER LOWER 1	1				
10	95E32-06020	BOLT, FLANGE DEEP RECESS	2				
11	BNK-83976-00	SWITCH, HANDLE 1	1				
12	D02-83975-10	SWITCH, HANDLE 2	1				
13	90464-13077	CLAMP	2				(95.0X7.0)
14	90464-13073	CLAMP	2				(125.0x7.0)

DP01300D1450

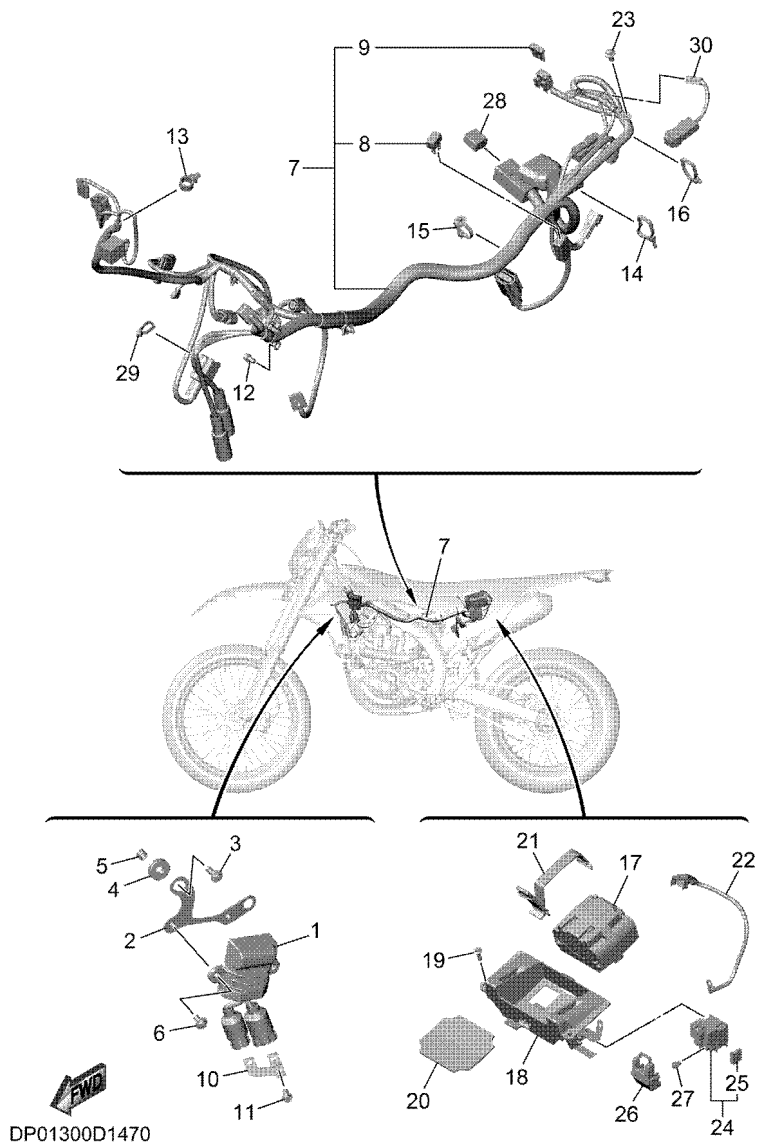
FIG. 46 ELECTRICAL 1

REF. NO.	PART NO.	DESCRIPTION	DP01				REMARKS
1	B2W-82370-00	PLUG CAP ASSY	1				
2	BHR-83591-00	THERMO UNIT	1				
3	BHR-83525-00	CLIP	1				
4	BHR-82540-01	NEUTRAL SWITCH ASSY	1				
5	90110-05062	BOLT, HEXAGON SOCKET HEAD	2				
6	BHR-15484-00	CLAMP 2	2				
7	93210-21001	O-RING	1				
8	DP0-8591A-00	ENGINE CONTROL UNIT ASSY	1				
9	BHR-82155-00	BAND	1				
10	BHR-82310-00	IGNITION COIL ASSY	1				
11	90480-11015	GROMMET	1				
12	BHR-2194U-00	STAY, IGNITION COIL	1				
13	90105-06219	BOLT, FLANGE	2				
14	90480-14477	GROMMET	2				
15	90387-06M79	COLLAR	2				
16	95E32-06016	BOLT, FLANGE DEEP RECESS	2				
17	D03-85810-00	COMMUNICATION CONT. UNIT ASSY	1				
18	BNK-85721-00	WIRE, LEAD	1				
19	BHR-85546-00	BAND	1				
20	BHR-82378-00	CONNECTOR	1				
21	90465-10098	CLAMP	1				



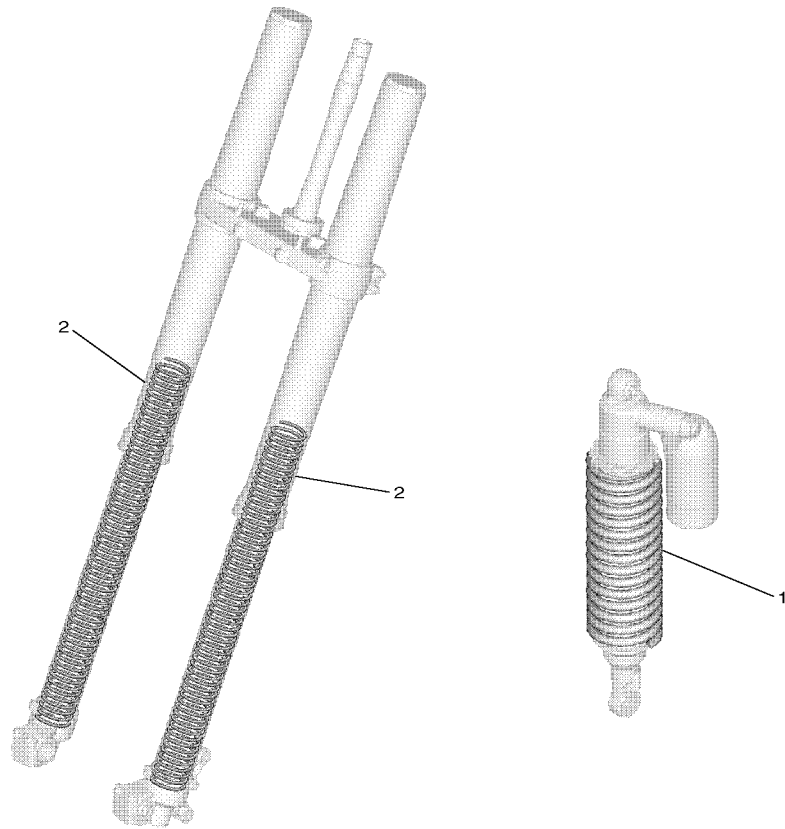
BNK1700DZ460

FIG. 47 ELECTRICAL 2



DP01300D1470

REF. NO.	PART NO.	DESCRIPTION	DP01				REMARKS
1	B7B-81960-00	RECTIFIER & REGULATOR ASSY	1				
2	BHR-21287-00	BRACKET, REGULATOR	1				
3	90105-06219	BOLT, FLANGE	2				
4	90480-19283	GROMMET	2				
5	90387-066J9	COLLAR	2				
6	90105-06064	BOLT, FLANGE	2				
7	DP0-82590-00	WIRE HARNESS ASSY	1				
8	4WA-81980-00	.DIODE ASSY	1				
9	1CB-82151-00	.FUSE (5A-LP BL)	1				
10	D03-82388-00	PLATE	1				
11	90105-06110	BOLT, FLANGE	1				
12	95E32-06010	BOLT, FLANGE DEEP RECESS	1				
13	90464-30009	CLAMP	1				
14	90465-13M18	CLAMP	1				
15	90464-31002	CLAMP	1				
16	1UA-82591-00	BAND	1				
17	BR9-82100-B9	BATTERY ASSY (TPTAQ 4S1P)	1				
18	BNK-82128-00	BRACKET, BATTERY	1				
19	90105-06203	BOLT, FLANGE	2				
20	BR9-82176-00	DAMPER	1				
21	BHR-82131-00	BAND, BATTERY	1				
22	BHR-82115-00	WIRE, PLUS LEAD	1				
23	90105-06064	BOLT, FLANGE	1				
24	2GB-81940-00	STARTER RELAY ASSY (RC19-102B)	1				
25	36Y-82151-00	.FUSE (15A-BLUE)	2				
26	5SL-82119-10	COVER, LEAD WIRE	1				
27	95022-06008	BOLT, FLANGE	2				



BR91110DT420

FIG. 48 ALTERNATE FOR CHASSIS

REF. NO.	PART NO.	DESCRIPTION	DP01				REMARKS
1	BR9-22212-00	SPRING (K=52 BLUE)	1				AP
	BR9-22212-10	SPRING (K=54 BLUE)	1				AP
	BR9-22212-20	SPRING (K=56 BLUE)	1				AP
	BR9-22212-30	SPRING (K=58 BLUE)	1				AP
	BR9-22212-40	SPRING (K=60 BLUE)	1				AP
	BR9-22212-50	SPRING (K=52 BLACK)	1				AP
	BR9-22212-60	SPRING (K=54 BLACK)	1				AP
	BR9-22212-70	SPRING (K=56 BLACK)	1				AP
	BR9-22212-80	SPRING (K=58 BLACK)	1				AP
	BR9-22212-90	SPRING (K=60 BLACK)	1				AP
	B3J-22212-00	SPRING (K=50 BLUE)	1				AP
	B3J-22212-10	SPRING (K=50 BLACK)	1				AP
	BAJ-22212-00	SPRING (K=48 BLUE)	1				AP
	BAJ-22212-10	SPRING (K=48 BLACK)	1				AP
	BAJ-22212-30	SPRING (K=48 SILVER)	1				AP
	BR9-22212-B0	SPRING (K=58 SILVER)	1				AP
2	BR9-23141-20	SPRING, FRONT FORK (K=4.5)	1				AP
	BR9-23141-30	SPRING, FRONT FORK (K=4.6)	1				AP
	BR9-23141-40	SPRING, FRONT FORK (K=4.7)	1				AP
	BR9-23141-60	SPRING, FRONT FORK (K=4.9)	1				AP
	BR9-23141-70	SPRING, FRONT FORK (K=5.0)	1				AP
	BR9-23141-80	SPRING, FRONT FORK (K=5.1)	1				AP
	B3J-23141-10	SPRING, FRONT FORK (K=4.1)	1				AP
	B3J-23141-20	SPRING, FRONT FORK (K=4.2)	1				AP
	B3J-23141-30	SPRING, FRONT FORK (K=4.3)	1				AP
	B3J-23141-40	SPRING, FRONT FORK (K=4.4)	1				AP

NUMERICAL INDEX

PART NO.	REF. NO.	PART NO.	REF. NO.	PART NO.	REF. NO.	PART NO.	REF. NO.	PART NO.	REF. NO.	PART NO.	REF. NO.
BHR-11102-00	4 - 1	3LD-12168-60	6 - 13	BR9-12577-00	9 - 17	BHR-14628-00	15 - 2	BNK-16321-00	2 - 4	3D7-18542-00	21 - 2
B2W-11133-10	4 - 2	3LD-12168-80	6 - 13	BHR-12578-00	9 - 18	B2W-14639-00	15 - 11		2 - 9	33D-18562-00	16 - 19
5PS-11134-10	4 - 3	3LD-12168-A0	6 - 13	BHR-12579-00	9 - 19	BNK-14701-00	15 - 15		19 - 13	BNK-21101-10	23 - 1
BHR-11166-00	14 - 2	3LD-12168-F0	6 - 13	2GB-12615-00	9 - 10	1SL-14714-00	3 - 15	BHR-16324-00	2 - 2	BHR-21147-00	23 - 5
BDB-11168-00	4 - 19	3LD-12168-H1	6 - 13	5SL-12671-00	9 - 11		15 - 22		19 - 11	BHR-21148-00	23 - 6
B2W-11169-00	4 - 21	3LD-12168-K1	6 - 13	583-13113-00	10 - 4	5XD-14714-00	3 - 14	BHR-16325-00	2 - 3	BNK-21163-00	23 - 44
BHR-11181-00	3 - 8	3LD-12168-M1	6 - 13		17 - 22		15 - 8		19 - 12	1SL-21163-01	23 - 40
	4 - 12	3LD-12168-R1	6 - 13	BHR-13300-01	10 - 1	BHR-14715-00	15 - 25	BNK-16330-00	2 - 5	BHR-21190-10	23 - 8
BHR-11190-00	4 - 17	3LD-12168-U1	6 - 13	BHR-13301-00	5 - 11	5VY-14747-00	15 - 12		2 - 10	BHR-21287-00	47 - 2
BHR-11193-00	3 - 6	3LD-12168-W1	6 - 13	BHR-13410-00	10 - 7	BHR-14767-00	15 - 4		19 - 14	BNK-21417-00	23 - 26
	4 - 23	3LD-12168-Y1	6 - 13	5D3-13440-02	1 - 2	5TJ-14780-00	15 - 16	BHR-16334-00	2 - 6	BAJ-21418-00	23 - 27
1SM-11194-00	3 - 7	3LD-12169-11	6 - 13		11 - 1	BNK-14784-00	15 - 17		19 - 18	BHR-21425-00	23 - 35
	4 - 24	3LD-12169-31	6 - 13	BHR-13447-00	11 - 2	BHR-14788-00	15 - 9	BHR-16335-00	19 - 10	B2W-21426-00	23 - 36
5UM-1119E-00	4 - 25	3LD-12169-50	6 - 13	BHR-13484-00	10 - 6	BNK-14799-00	15 - 21	BHR-16351-00	19 - 9	BNK-21447-00	23 - 2
BHR-11311-00	4 - 26	3LD-12169-70	6 - 13	8FP-13556-00	13 - 2	BHR-15100-07	16 - 1	BHR-16356-00	19 - 24	D02-21448-00	23 - 3
BHR-11351-00	3 - 9	3LD-12169-90	6 - 13	BR9-13597-00	12 - 1	BHR-15138-00	4 - 7	BHR-16357-00	19 - 28	BNK-2147A-00	23 - 38
	4 - 27	3LD-12169-E0	6 - 13	BNK-13750-00	13 - 1	BHR-15148-00	16 - 3	BHR-16371-00	19 - 5	BR9-21511-00	24 - 1
BR9-11395-00	4 - 30	3LD-12169-G0	6 - 13	3B4-13761-00	13 - 11	BHR-15155-00	16 - 4	BHR-16381-00	16 - 22	BNK-21610-00	24 - 4
BHR-11400-00	5 - 1	3LD-12169-J0	6 - 13	BNK-13907-00	30 - 12	3Y1-15361-00	17 - 15	BHR-16386-00	16 - 23	5XE-21635-10	24 - 5
BHR-11412-00	5 - 2	3LD-12169-L0	6 - 13	B3J-13915-00	30 - 14	3Y1-15363-10	17 - 13	BHR-16718-00	19 - 17	3D7-21642-00	24 - 11
BHR-11422-00	5 - 3	3LD-12169-N0	6 - 13	BHR-13938-00	13 - 8	BHR-15378-00	18 - 8	BNK-17121-00	20 - 10	BHR-21710-00	25 - 1
BHR-11454-00	5 - 8	3LD-12169-T0	6 - 13	BNK-13971-00	30 - 18	4JT-15381-01	16 - 16	BHR-17131-10	20 - 6	1SL-21719-00	25 - 11
BHR-11531-00	5 - 10	BHR-12170-00	7 - 1	BR9-1410A-01	13 - 10	18P-15383-00	16 - 14	BNK-17141-00	20 - 3	BNK-21720-02	25 - 8
BHR-11536-01	5 - 7	D03-12180-00	7 - 2	5PS-14147-00	13 - 12	D03-15388-00	16 - 18	BNK-17151-00	20 - 8	BHR-2172A-20	25 - 25
B2W-11603-00	3 - 3	B7B-12210-11	7 - 8	363-14198-00	13 - 6	BHR-15411-00	17 - 1	BNK-17211-00	20 - 15	BHR-2172F-20	25 - 26
	5 - 16	4FM-12213-00	3 - 11	2C0-14216-00	13 - 3	BHR-15415-00	17 - 19	BNK-17221-00	20 - 26	BHR-21730-00	25 - 14
BHR-11631-00	3 - 2		7 - 11	8CC-14216-10	13 - 7	BHR-15421-01	16 - 12	BHR-17231-00	20 - 20	BHR-21740-00	25 - 19
	5 - 15	5SL-12214-00	3 - 10	BR9-14293-00	12 - 4	BHR-15431-00	17 - 10	BNK-17241-00	20 - 17	1SL-21748-00	25 - 17
BR9-11633-10	3 - 4		7 - 9	BR9-14348-00	13 - 4	BHR-15441-00	17 - 23	BNK-17251-00	20 - 23		25 - 22
	5 - 17	BHR-12223-00	8 - 2	BNK-14408-02	12 - 7	BHR-15451-00	17 - 6	BHR-17402-00	20 - 12	5BE-21749-00	24 - 6
BHR-11650-00	5 - 5	5EL-12228-00	7 - 10	BHR-14412-00	12 - 22	BHR-15453-00	2 - 7	BNK-17411-00	20 - 2	D02-21749-00	25 - 10
BHR-11681-00	5 - 4	1SL-12233-00	7 - 6	B3J-14419-01	12 - 20		19 - 29	BHR-18101-00	22 - 10	8HR-21757-00	31 - 7
BHR-116A0-00	5 - 14	B2W-12241-00	4 - 22	BHR-14422-01	12 - 14	BHR-15462-00	17 - 16	BR9-18110-00	22 - 14	2CR-2177L-00	12 - 13
BHR-12111-00	6 - 1	B2W-12251-00	7 - 4	17D-14449-00	25 - 3	BHR-15484-00	46 - 6	BHR-18122-00	22 - 3	BNK-217R0-P0	25 - 14
B2W-12113-00	6 - 6	33D-12252-01	7 - 5	BHR-14451-00	1 - 1	BHR-15515-00	18 - 1	2GB-18140-10	21 - 12	BNK-217S0-P0	25 - 19
BHR-12114-00	6 - 7	BNK-12405-00	9 - 9		12 - 9	BHR-15517-00	18 - 5	BHR-18172-00	22 - 8	BHR-2194U-00	46 - 12
33D-12116-00	6 - 4	BHR-1240A-00	9 - 7	BHR-14452-01	12 - 23	BHR-15536-00	18 - 3	3XJ-18173-10	22 - 2	DPO-22110-00	26 - 1
33D-12117-00	6 - 8	BHR-12421-00	8 - 5	BHR-14457-00	12 - 24	BHR-15560-01	18 - 6	33D-18175-00	21 - 15	5XC-22121-91	26 - 28
3LD-12117-00	6 - 9	BHR-12422-00	8 - 7	BHR-14458-00	12 - 10	BHR-15570-00	18 - 2	3XJ-18178-00	22 - 4	34P-22122-00	26 - 29
3LD-12118-00	6 - 10	BHR-12439-00	8 - 6	BHR-14459-00	12 - 8	BHR-1571H-00	18 - 4	3XJ-18182-00	22 - 5	2S2-22128-70	26 - 11
51Y-12119-00	6 - 3	D03-12446-00	9 - 4	20S-1445C-01	12 - 19	BHR-16111-00	19 - 1	3XJ-18184-00	22 - 7	33D-22141-00	26 - 15
BHR-12121-00	6 - 2	BHR-12450-00	9 - 1	BR9-14486-00	13 - 5	BHR-16113-00	19 - 21	BHR-18185-00	22 - 1	34P-22151-01	26 - 8
33D-12126-00	6 - 5	BNK-12461-00	9 - 8	5VX-14503-00	13 - 9	BHR-16116-00	19 - 20	BHR-18511-00	21 - 6	5UN-22176-00	2 - 53
BR9-12153-00	6 - 11	5SL-12462-10	9 - 12	BHR-14611-00	15 - 1	BHR-16144-00	19 - 8	BHR-18512-10	21 - 7		27 - 14
B7M-12153-10	6 - 12	BHR-12463-00	9 - 14	33D-14613-00	3 - 13	BHR-16148-00	19 - 23	BHR-18513-00	21 - 8	30X-22178-00	23 - 10
3LD-12168-00	6 - 13	33D-12465-00	9 - 13		15 - 5	BHR-16151-00	19 - 4	BHR-18531-00	21 - 9	BR9-22178-00	23 - 15
3LD-12168-20	6 - 13	BHR-12482-00	9 - 1	BHR-14621-00	15 - 7	BHR-16165-00	19 - 19	BHR-18535-00	21 - 10	17D-2217A-00	26 - 18
3LD-12168-40	6 - 13	BNK-12576-00	9 - 16	5TJ-14623-00	15 - 18	BHR-16172-00	19 - 7	BHR-18541-00	21 - 1	BR9-2217F-00	26 - 24

NUMERICAL INDEX

PART NO.	REF. NO.	PART NO.	REF. NO.	PART NO.	REF. NO.	PART NO.	REF. NO.	PART NO.	REF. NO.	PART NO.	REF. NO.
4V4-22184-00	23 - 11	5XC-23111-01	29 - 48	2HH-23158-L0	29 - 49	18P-2464V-01	23 - 53	5UN-25828-60	35 - 8	BHR-27200-00	1 - 9
5MV-22184-00	2 - 54	276-23114-02	2 - 24	B7R-2315H-30	29 - 56	18P-2467E-00	23 - 52	B2W-2582W-00	34 - 11		38 - 1
	27 - 15		29 - 24	17D-2315J-K0	29 - 55	D03-2470F-00	31 - 2	5MV-25833-00	37 - 16	17D-27217-00	38 - 2
2S2-22199-70	26 - 10		29 - 50	BNK-2316A-00	29 - 15	D03-2470H-00	31 - 4	B2W-2583E-00	35 - 20	5UN-27217-00	39 - 8
BNK-22200-00	27 - 1	1MC-23119-10	29 - 26		29 - 41	D03-24710-01	31 - 1	33D-2583V-00	39 - 1	5UN-27218-00	39 - 3
BNK-22201-00	27 - 2		29 - 52	BNK-23170-00	29 - 12	D03-2471L-00	31 - 3	5XC-25849-G0	33 - 14	5UN-27222-00	39 - 4
B3J-22212-00	48 - 1	BNK-23120-00	29 - 4		29 - 38	BHR-2471N-00	31 - 5	5UN-25852-50	39 - 5	B3J-27311-01	38 - 16
BAJ-22212-00	48 - 1	5XE-23125-L0	2 - 14	5XE-23171-L0	2 - 13	BHR-24737-00	12 - 21	5XC-25852-G0	37 - 7	B3J-27315-00	38 - 21
BR9-22212-00	48 - 1		29 - 6		29 - 5	BDB-25102-20	37 - 1	5XC-25853-G0	37 - 11	BHR-27411-00	38 - 9
B3J-22212-10	48 - 1		29 - 32		29 - 31	5NY-25104-00	32 - 10	5UN-25854-00	39 - 7	BHR-27421-00	38 - 10
BAJ-22212-10	48 - 1	33D-23136-00	29 - 2	5DH-23183-00	2 - 49	1SL-25111-00	32 - 2	5XC-25854-G0	37 - 6	5ET-28166-10	23 - 50
BR9-22212-10	48 - 1		29 - 28		27 - 4	1SL-25117-00	32 - 4	5UN-2585B-00	39 - 6	5PG-2816R-01	24 - 13
BR9-22212-20	48 - 1	B3J-23141-10	48 - 2	1C3-23188-L2	2 - 19	B7R-2516A-00	32 - 8	5CG-2585G-00	37 - 10	DP0-28199-50	23 - 51
BAJ-22212-30	48 - 1	B3J-23141-20	48 - 2		29 - 16	B7R-2517G-00	32 - 7		39 - 10	B7R-2831V-00	43 - 1
BR9-22212-30	48 - 1	BR9-23141-20	48 - 2		29 - 42	B2W-25181-00	32 - 16	5MV-25867-00	37 - 15	8HR-28386-00	31 - 6
BR9-22212-40	48 - 1	B3J-23141-30	48 - 2	1C3-23188-P0	2 - 20	1SL-25183-00	32 - 17	B7R-25872-00	37 - 1	B29-4381D-00	29 - 10
BR9-22212-40	48 - 1	BR9-23141-30	48 - 2		29 - 17	1SL-25186-00	32 - 18	B2W-25873-01	39 - 12		29 - 36
BR9-22212-50	48 - 1	B3J-23141-40	48 - 2		29 - 43	BNK-25302-00	34 - 1	5MV-2589F-00	37 - 13	BNK-81410-02	40 - 1
BR9-22212-70	48 - 1	BR9-23141-40	48 - 2	1C3-23188-R1	2 - 22	BNK-25304-00	34 - 13	5UN-25913-00	35 - 17	BNK-81450-00	40 - 2
BR9-22212-80	48 - 1	BR9-23141-50	29 - 21		29 - 20	BR9-2530S-01	34 - 21	5UN-25914-00	35 - 15	BHR-81528-00	40 - 7
BR9-22212-90	48 - 1		29 - 47		29 - 46	B2W-25311-00	34 - 2	5DH-25914-50	35 - 13	BHR-81679-00	41 - 14
BR9-22212-A0	27 - 8	BR9-23141-60	48 - 2	1C3-23190-L1	29 - 19	17D-25317-00	34 - 3	3SP-25914-51	33 - 11	2CR-81801-10	41 - 2
BR9-22212-B0	48 - 1	BR9-23141-70	48 - 2		29 - 45	4XM-25364-00	34 - 16	5DH-25916-00	33 - 9	8FA-8181L-00	41 - 8
1SL-22213-00	27 - 6	BR9-23141-80	48 - 2	BHR-2319W-00	29 - 25	17D-25381-00	34 - 26		35 - 12	2CR-81828-10	41 - 7
33D-22214-00	27 - 9	BR9-23142-01	29 - 14		29 - 51	1SL-25388-00	34 - 22	3JD-25917-00	33 - 12	BR9-8182L-00	41 - 5
33D-22224-00	27 - 10		29 - 40	B7R-2331E-00	43 - 2	33D-25389-00	34 - 23		35 - 14	1D7-81835-00	41 - 9
4JX-22226-00	2 - 48	BHR-23144-00	2 - 17	B7R-23340-00	29 - 53	3JE-25394-00	34 - 15	B2W-25919-00	33 - 4	BNK-8183G-00	41 - 11
	27 - 3		29 - 11	17D-23416-50	2 - 60	5SF-25394-00	32 - 11	5DH-25919-50	35 - 4	BR9-81846-00	41 - 4
	27 - 5		29 - 37		28 - 3	5GS-25448-50	34 - 7	8CR-25924-00	35 - 11	BR9-81861-00	41 - 6
33D-22234-00	27 - 5		29 - 15	4XV-2341B-00	12 - 25	5TJ-25450-80	2 - 28	3SP-25926-51	33 - 10	BHR-81890-00	41 - 1
5NY-22241-00	27 - 21	B29-23145-00	29 - 8	1SL-23434-00	28 - 10		34 - 7	5DH-25933-00	33 - 8	2GB-81940-00	47 - 24
5XE-22242-01	27 - 18		29 - 8	B2W-23435-00	28 - 6	BAK-25451-00	34 - 7	1UY-25937-51	33 - 13	5UM-81950-E0	47 - 28
1C3-22253-50	2 - 50		29 - 34	B2W-23441-00	28 - 8	5TJ-25452-80	34 - 7		35 - 16	B7B-81960-00	47 - 1
	27 - 11	5XC-23146-10	29 - 7	B2W-23442-10	28 - 9	5CG-25715-00	37 - 9	BR9-26111-20	36 - 1	4WA-81980-00	47 - 8
1C3-22253-L1	2 - 55		29 - 33	B7R-23466-00	29 - 58		39 - 9	BHR-26124-00	36 - 13	BR9-82100-B9	1 - 5
	27 - 16	1AE-23147-01	2 - 21	BHR-23591-00	23 - 21	17D-25718-50	35 - 18	D02-26240-10	36 - 3		47 - 17
4AA-22259-40	27 - 7		29 - 18	BNK-24110-00	30 - 1	B2W-25802-00	33 - 2	4GY-26241-00	36 - 2	BHR-82115-00	47 - 22
4EW-22474-00	2 - 52		29 - 44	BNK-24115-00	30 - 6	B2W-25803-00	33 - 3	4GY-26242-00	36 - 4	5SL-82119-10	47 - 26
	27 - 13	1C3-23147-L1	2 - 18	BNK-24116-00	30 - 7	B2W-25805-00	1 - 3	D02-26243-00	36 - 5	BNK-82128-00	47 - 18
3JE-22475-00	2 - 51		29 - 13	4EW-2412F-00	30 - 19		33 - 7	5BE-26281-01	36 - 6	BHR-82131-00	47 - 21
	27 - 12		29 - 39	B3J-2414G-00	30 - 15	B2W-2580T-00	33 - 1	5BE-26282-00	36 - 7	1CB-82151-00	47 - 9
5NY-22475-00	2 - 56	17D-23153-00	2 - 12	BNK-24181-00	23 - 47	BNK-2580W-00	35 - 1	5SF-26287-11	36 - 9	36Y-82151-00	47 - 25
	27 - 17		29 - 3	BR9-24182-00	23 - 48	BDB-2581T-00	32 - 6	BNK-26302-00	36 - 10	BHR-82155-00	46 - 9
5UN-22898-60	35 - 10		29 - 29	BNK-24183-00	23 - 49	1UY-25824-51	33 - 5	BHR-26335-00	36 - 11	BR9-82176-00	47 - 20
1C3-22969-90	26 - 9	5XE-23153-L0	2 - 16	BNK-24188-00	30 - 3		35 - 5	17D-26337-00	45 - 5	BHR-82310-00	46 - 10
BNK-23102-00	29 - 1		29 - 9	B3J-24491-00	30 - 16	1UY-25825-51	33 - 6	34P-26342-00	36 - 12	B2W-82370-00	46 - 1
BNK-23103-00	29 - 27		29 - 35	3C1-24512-00	30 - 13		35 - 6	34P-26372-00	45 - 8	BHR-82378-00	46 - 20
BNK-23110-00	29 - 30	2HH-23158-L0	2 - 23	BR9-24610-00	30 - 4	5UN-25827-60	35 - 9	5XC-26372-G0	37 - 17	2C0-82380-00	13 - 14
5XC-23111-01	29 - 22		29 - 23								

NUMERICAL INDEX

PART NO.	REF. NO.	PART NO.	REF. NO.	PART NO.	REF. NO.	PART NO.	REF. NO.	PART NO.	REF. NO.	PART NO.	REF. NO.
D03-82388-00	47 - 10	1SS-W002G-00	27 - 23	90110-05062	46 - 5	90179-12657	40 - 3	90280-03006	5 - 19	90430-06014	17 - 9
BHR-82540-01	46 - 4	BHR-W003B-00	2 - 11	90110-05066	12 - 5	90179-18011	32 - 19	90338-07043	23 - 42	90430-06156	10 - 2
DPO-82590-00	47 - 7		29 - 64		15 - 19	90179-18016	19 - 22	90340-14021	17 - 4	90430-10005	37 - 2
1UA-82591-00	47 - 16	5XC-W0041-00	37 - 5	90110-06173	18 - 10	90179-20017	34 - 33	90340-27009	17 - 2		39 - 14
1DX-82718-00	47 - 30	5UN-W0042-50	39 - 2	90110-06176	4 - 16	90179-24004	28 - 7	90387-0514T	19 - 6	90430-10188	16 - 7
17D-82911-00	45 - 1	1C3-W0046-B0	1 - 4	90110-06182	16 - 5	90179-28015	28 - 4	90387-06009	43 - 8	90445-08050	30 - 5
33D-82913-00	45 - 9		35 - 7		16 - 20	90185-08008	34 - 9	90387-06065	9 - 25	90445-22327	38 - 18
BDB-83500-01	42 - 1	5UN-W0047-50	35 - 3	90110-06346	41 - 13	90185-08009	23 - 19	90387-06136	24 - 8	90450-22001	9 - 22
BDB-83500-11	42 - 1	5UN-W0057-50	35 - 2	90110-06347	10 - 9	90185-10012	27 - 22		30 - 10	90450-25001	9 - 21
BDB-83519-00	42 - 4	5XC-W2587-00	37 - 4	90110-06363	16 - 10	90185-14010	26 - 31	90387-06259	24 - 2	90450-28001	9 - 20
BHR-83525-00	46 - 3	BHR-WB033-00	3 - 1	90110-06391	16 - 9	90185-16002	26 - 16	90387-06273	12 - 17	90450-32003	9 - 23
BHR-83591-00	46 - 2	90101-05005	45 - 7	90110-06392	16 - 11	90185-22011	34 - 27	90387-06284	30 - 22	90450-58006	12 - 6
BDB-83755-10	42 - 6	90101-06041	22 - 9	90110-06401	40 - 6	90201-05017	15 - 3	90387-066J9	47 - 5	90450-60004	12 - 3
17D-83912-01	1 - 8	90101-08006	34 - 24	90110-06439	4 - 29	90201-06105	41 - 16	90387-06M79	46 - 15	90464-11M18	44 - 6
	45 - 2	90105-05028	43 - 3	90111-06116	39 - 11	90201-08037	16 - 28	90387-07045	25 - 15	90464-12013	42 - 8
B2W-83922-00	1 - 7	90105-06027	4 - 4	90111-06127	43 - 6	90201-08043	23 - 20		25 - 20	90464-13073	36 - 14
	37 - 12	90105-06064	25 - 24	90111-06196	25 - 7		23 - 30	90387-071E0	12 - 15		45 - 14
B7R-83955-00	29 - 60		43 - 10	90111-10050	38 - 19		34 - 10	90387-08041	23 - 13	90464-13077	45 - 13
D02-83975-10	45 - 12		47 - 6	90116-06037	4 - 10	90201-08044	38 - 7	90387-08057	25 - 2	90464-14013	39 - 15
BNK-83976-00	45 - 11		47 - 23	90116-06048	4 - 18	90201-08045	23 - 12		25 - 9	90464-30009	47 - 13
5LP-84126-10	45 - 4	90105-06100	24 - 9	90119-06166	23 - 39	90201-10025	4 - 15	90387-08081	15 - 14	90464-31002	23 - 46
2GB-84300-01	43 - 4	90105-06110	47 - 11	90119-06217	25 - 6	90201-10032	38 - 14	90387-08086	25 - 16		47 - 15
1DX-84314-00	43 - 5	90105-06170	42 - 5		25 - 13	90201-10035	28 - 11		25 - 21	90465-10098	46 - 21
B7R-84330-10	43 - 7	90105-06179	25 - 5	90119-06262	9 - 26	90201-10045	18 - 7	90387-08110	15 - 24		47 - 29
BNK-84710-00	44 - 1		25 - 12		30 - 9		23 - 25	90387-086N4	23 - 17	90465-13M18	47 - 14
B7R-84716-00	44 - 4	90105-06187	16 - 24	90119-06268	24 - 3		23 - 33	90387-09022	25 - 4	90467-08003	9 - 15
5UM-84736-E0	44 - 2	90105-06189	16 - 13		24 - 10	90201-127E1	40 - 4	90387-10020	38 - 20	90467-20030	14 - 1
5UM-84737-E0	44 - 3	90105-06203	12 - 26	90119-06M12	22 - 15	90201-14020	26 - 30	90387-14016	2 - 46		14 - 3
BHR-85546-00	46 - 19		47 - 19	90119-08170	15 - 27	90201-16018	26 - 17		26 - 27	90468-16001	38 - 4
BNK-85721-00	46 - 18	90105-06219	46 - 13	90119-08174	15 - 13	90201-203E7	20 - 14	90387-14020	22 - 11	90480-01027	12 - 16
D03-85810-00	46 - 17		47 - 3	90119-08177	15 - 28	90201-20611	19 - 2	90387-16026	2 - 41	90480-08608	34 - 17
BR9-85885-01	13 - 13	90105-06225	4 - 20	90149-05040	40 - 5	90201-21014	2 - 43		26 - 21	90480-10068	25 - 18
8FP-85886-00	12 - 11	90105-06227	4 - 8	90149-06021	30 - 21		26 - 23	90387-17019	2 - 36		25 - 23
DPO-8591A-00	46 - 8	90105-08137	33 - 15	90149-10031	23 - 4	90201-22023	34 - 28		26 - 6	90480-11015	46 - 11
4FP-H182L-00	41 - 3	90105-08143	23 - 37	90151-06005	30 - 20	90201-25028	20 - 22	90387-17020	16 - 8	90480-12020	43 - 9
BNK-W000B-00	2 - 57	90105-08230	23 - 9	90151-06024	7 - 7	90201-253K0	20 - 4	90387-1714S	2 - 37	90480-12237	12 - 18
	28 - 15	90105-08232	23 - 18	90151-06051	32 - 12	90201-28020	28 - 5		26 - 7	90480-12M25	23 - 43
BDB-W001A-00	2 - 25	90105-08280	23 - 28		34 - 12	90209-16011	2 - 42	90387-20028	20 - 16	90480-14034	42 - 2
	34 - 34	90105-10176	23 - 31	90151-06053	16 - 17		26 - 22	90387-2113G	20 - 9	90480-14038	30 - 11
BNK-W001G-00	2 - 1	90105-10189	23 - 34	90151-08009	16 - 15	90209-21332	20 - 7	90387-25041	20 - 21	90480-14477	46 - 14
	19 - 30	90105-10219	23 - 23	90159-06027	21 - 14	90209-26348	20 - 25	90387-25042	20 - 30	90480-14532	24 - 7
BNK-W001M-00	2 - 8	90105-10494	4 - 14	90160-05006	42 - 3	90214-23002	20 - 19	90387-28032	20 - 27	90480-15012	9 - 24
	19 - 31	90109-06034	45 - 3	90170-14171	5 - 12	90215-14004	5 - 13	90401-10172	37 - 3	90480-19283	47 - 4
BR9-W002C-00	2 - 31	90109-06232	29 - 57	90170-20014	19 - 3	90215-21003	2 - 27		39 - 13	90480-20005	15 - 23
	26 - 32	90109-081G1	34 - 8	90179-08019	34 - 25		34 - 32	90430-06014	3 - 12	90501-052G5	22 - 6
33D-W002E-00	2 - 38	90110-05028	29 - 59	90179-08674	23 - 29	90240-08120	38 - 6		4 - 9	90501-06022	21 - 3
	26 - 33	90110-05058	30 - 17	90179-10658	23 - 24	90240-10004	38 - 13		7 - 13	90501-070A3	21 - 11
1SS-W002G-00	2 - 47	90110-05060	10 - 2		23 - 32	90267-32146	23 - 22		8 - 11	90506-20031	38 - 5

NUMERICAL INDEX

PART NO.	REF. NO.	PART NO.	REF. NO.	PART NO.	REF. NO.	PART NO.	REF. NO.	PART NO.	REF. NO.	PART NO.	REF. NO.
90506-26013	38 - 17	93306-20351	5 - 9	94682-50021	2 - 30	97702-60016	24 - 12				
90508-28023	38 - 12	93306-20574	20 - 28		34 - 30	98507-05020	36 - 8				
90508-28040	38 - 11	93306-27210	20 - 1	94701-00434	1 - 6	98707-04012	37 - 8				
90508-29023	22 - 12	93306-30647	5 - 6		4 - 11	99009-08400	8 - 4				
90508-29052	21 - 13	93306-80502	21 - 5	95022-06008	47 - 27	99009-22500	17 - 12				
90520-10045	30 - 2	93306-90409	21 - 4	95022-06014	42 - 7	99009-42700	34 - 6				
91312-06020	12 - 2	93306-90511	34 - 4	95022-06030	8 - 10	99530-08016	16 - 2				
91402-20012	38 - 8	93306-97204	32 - 3	95302-05600	45 - 6		17 - 7				
91402-25015	38 - 15	93315-32166	2 - 39	95302-06700	41 - 10		17 - 17				
91808-16023	4 - 5		2 - 44		41 - 12	9Y582-50113	2 - 29				
	4 - 6		26 - 19	95602-10200	27 - 19		34 - 29				
91810-18008	18 - 9		26 - 25		28 - 12						
92012-05008	15 - 20	93317-106B4	16 - 25	95701-06500	37 - 14						
92012-06010	23 - 41	93317-11096	16 - 26	95702-06500	4 - 31						
	23 - 45	93317-22262	2 - 32		26 - 13						
92902-10200	27 - 20		26 - 2	95704-06500	15 - 6						
92903-06600	19 - 16	93332-00068	2 - 59	95E32-06010	26 - 14						
93101-14164	17 - 11		28 - 2		47 - 12						
93102-10008	16 - 27	93332-00081	2 - 58	95E32-06012	30 - 8						
93102-30014	32 - 5		28 - 1		35 - 19						
93102-32337	34 - 5	93340-21209	19 - 25		35 - 21						
93102-32480	20 - 29	93342-22217	2 - 33		41 - 15						
93104-06033	16 - 21		26 - 3	95E32-06016	9 - 2						
93106-22002	2 - 34	93410-20038	20 - 13		11 - 4						
	26 - 4	93440-10085	19 - 26		23 - 7						
93109-14010	22 - 16	93440-25084	20 - 5		46 - 16						
93109-21001	2 - 45		20 - 18	95E32-06020	9 - 6						
	26 - 26	93440-28062	20 - 24		45 - 10						
93109-25001	2 - 40	93450-19052	3 - 5	95E32-06025	7 - 12						
	26 - 20		5 - 18		8 - 9						
93109-28043	2 - 35	93501-04011	19 - 27		17 - 8						
	26 - 5	93503-08007	10 - 5		17 - 18						
93210-11073	38 - 3	93603-07073	29 - 61		17 - 20						
93210-12010	10 - 8	93604-17198	8 - 8	95E32-06050	26 - 12						
93210-14369	3 - 17	93608-30002	22 - 13	95E32-06055	17 - 21						
	17 - 5	93612-16254	4 - 13	95E32-08040	23 - 14						
93210-19123	17 - 14		4 - 28	95E32-10016	16 - 6						
93210-20003	9 - 3	9383E-13233	2 - 26	95E34-08030	28 - 13						
93210-21001	46 - 7		34 - 31	95E34-08035	15 - 10						
93210-22164	20 - 31	94109-21020	32 - 13		15 - 26						
93210-24253	9 - 5	94114-18008	34 - 18		28 - 14						
93210-27370	3 - 16	94212-18188	34 - 19		29 - 54						
	17 - 3	94227-21101	32 - 14		29 - 63						
93210-28543	16 - 29	94309-18146	34 - 20	95E34-08045	29 - 62						
93210-45708	11 - 3	94309-21161	32 - 15	97013-06016	19 - 15						
93300-60804	23 - 16	94416-21079	32 - 9	97702-40010	44 - 7						
93300-69824	8 - 3	94421-18048	34 - 14	97702-50016	44 - 5						
93306-00447	20 - 11	94591-79118	7 - 3	97702-50520	12 - 12						