

PARTS CATALOGUE

YZ65 (BR82) EUROPE



2018/8/29

1TBR8-300E1

()

NEWS NO.	DATE	COMMENT
PE0-MC-180032	Aug.,28,2018	MOD:FIG.25,27 LIST/ILLUSTRATION REVISION

YZ65
PARTS CATALOGUE
©2018 by Yamaha Motor Co., Ltd.
1st edition, April 2018
All rights reserved.
Any reprinting or unauthorized use
without the written permission of
Yamaha Motor Co., Ltd.
is expressly prohibited.
Printed in Japan.

FOREWORD

This Parts Catalogue is related to the parts for the model(s) on the cover page. When you are ordering replacement parts, please refer to this Parts Catalogue and quote both part numbers and part names correctly.

1. Modifications or additions which have been made after the issue of the Parts Catalogue will be announced in the Parts News.
It is advisable that you make the necessary corrections to the Parts Catalogue according to the Parts News.

2. Abbreviations

The following abbreviations are used in this Parts Catalogue.

“UR” Use specified parts number.

“UN” Use as many as needed.

“AP” Alternate Parts

“LM” Locally Made (Parts need to be ordered locally)

“F#” Frame No. (Applicable machine No.)

“O/S” Over Size

3. The number of components for assembly

- Parts, which are to be supplied in an assembly, are listed with a dot (.) in front of the part name as shown below.
- The numeral appearing to the right of each component part indicates the quantity of parts for each assembly unit.

PART NO.	DESCRIPTION	Q'TY	REMARKS
2F5-83310-60	FRONT FLASHER LIGHT ASSY	2	
115-83311-60	.BULB (6V-18W)	1	

4. Applicable colours of graphics are represented in the “REMARKS” as shown below.

PART NO.	DESCRIPTION	Q'TY	REMARKS
2N4-24110-00-X5	FUEL TANK COMP.	2	MXR
3J1-24240-10	.GRAPHIC, FUEL TANK	1	FOR MXR

5. Note that the illustrations for reference in finding parts numbers are not to be used for assembling. When assembling, please use the applicable service manual.

6. The asterisk (*) before a reference number indicates modified items after the first edition.

CONTENTS

ENGINE

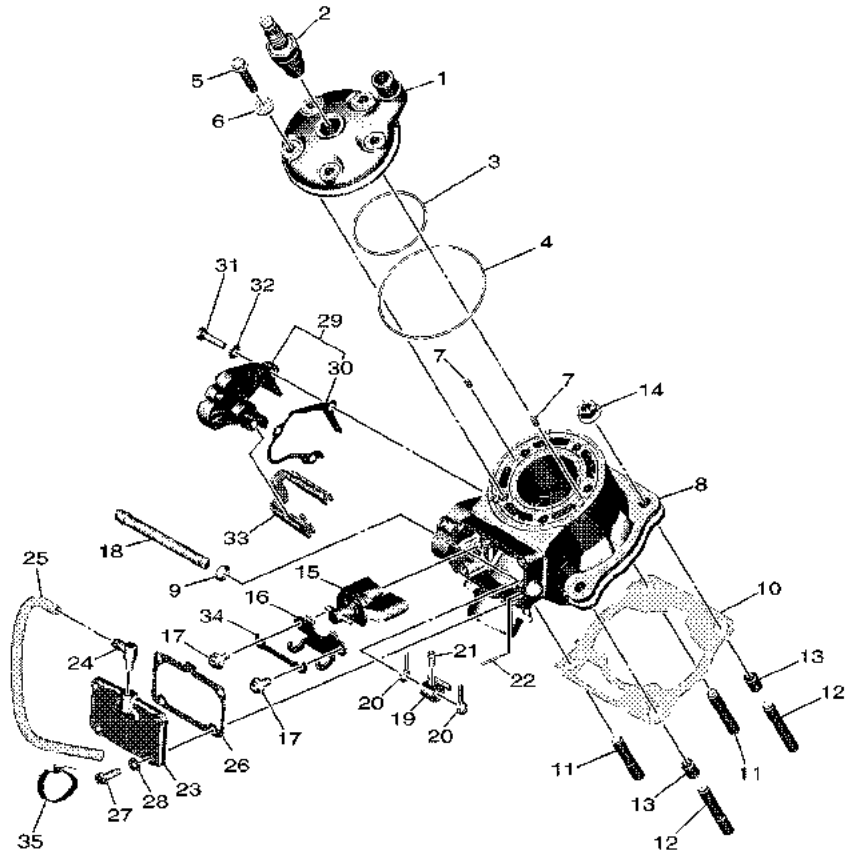
CYLINDER.....	1
GOVERNOR.....	3
CRANKSHAFT & PISTON.....	4
WATER PUMP.....	5
RADIATOR & HOSE.....	6
INTAKE.....	7
CARBURETOR.....	8
EXHAUST.....	10
CRANKCASE.....	11
CRANKCASE COVER.....	12
STARTER.....	13
CLUTCH.....	14
TRANSMISSION.....	15
SHIFT CAM & FORK.....	17
SHIFT SHAFT.....	18

CHASSIS

FRAME.....	19
FENDER.....	20
SIDE COVER.....	21
REAR ARM.....	23
REAR ARM & SUSPENSION.....	24
STEERING.....	25
FRONT FORK.....	26
FUEL TANK.....	28
SEAT.....	29
FRONT WHEEL.....	30
FRONT BRAKE CALIPER.....	31
REAR WHEEL.....	32
REAR BRAKE CALIPER.....	33
STEERING HANDLE & CABLE.....	34
FRONT MASTER CYLINDER.....	35
STAND & FOOTREST.....	36
REAR MASTER CYLINDER.....	37
GENERATOR.....	38
HANDLE SWITCH & LEVER.....	39
ELECTRICAL 1.....	40
ALTERNATE FOR CHASSIS.....	41
OPTIONAL PARTS 1.....	42

INDEX

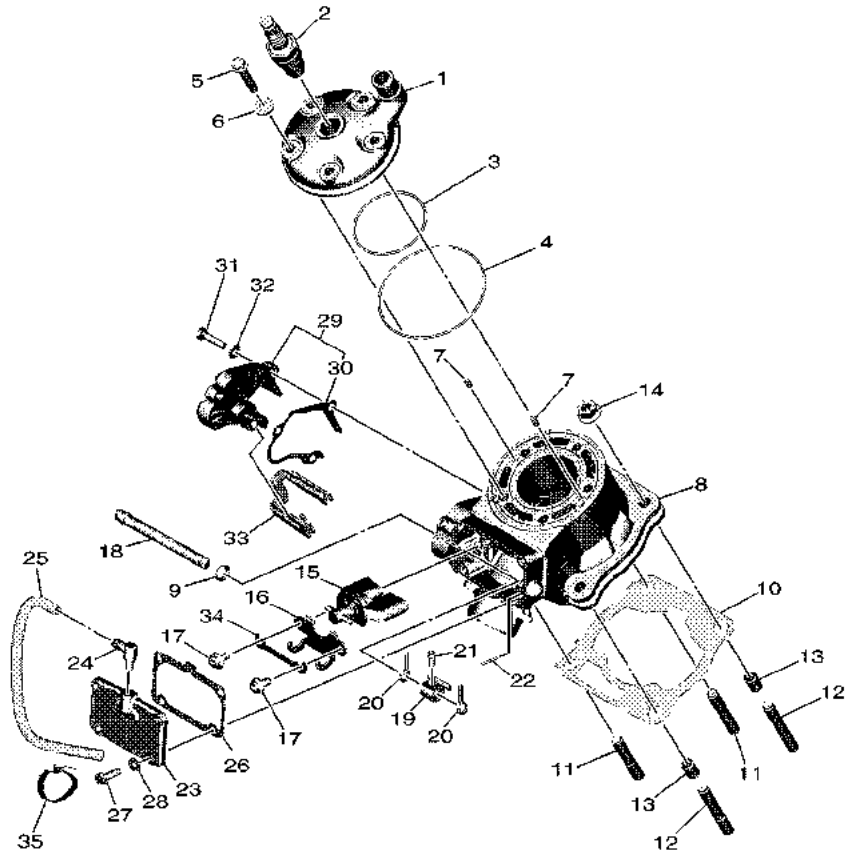
NUMERICAL INDEX.....	43
----------------------	----



BR81110DT010

FIG. 1 CYLINDER

REF. NO.	PART NO.	DESCRIPTION	BR82				REMARKS
1	BR8-11111-00	HEAD, CYLINDER 1	1				
2	94702-00357	PLUG, SPARK (NGK BR9ECM)	1				
3	93210-50582	O-RING	1				
4	93210-76MF8	O-RING	1				
5	90105-06195	BOLT, FLANGE	5				
6	90201-066F0	WASHER, PLATE	5				
7	93604-08071	PIN, DOWEL	2				
8	BR8-11311-00	CYLINDER 1	1				
9	93104-08040	OIL SEAL	1				
10	BR8-11351-00	GASKET, CYLINDER	1				
11	90116-08031	BOLT, STUD	2				
12	90116-08028	BOLT, STUD	2				
13	99590-10114	PIN, DOWEL	2				
14	90179-08019	NUT	4				
15	BR8-1131D-00	VALVE ASSY	1				
16	5CU-1131U-10	HOLDER 3	1				
17	90109-05001	BOLT	2				
18	BR8-1131V-00	SHAFT 1	1				
19	4SS-11832-00	LEVER, LINK	1				
20	90508-155B8	SPRING, TORSION	2				
21	91312-04008	BOLT, HEXAGON SOCKET HEAD	1				
22	93602-16M10	PIN, DOWEL	1				
23	BR8-1131M-00	COVER	1				
24	38W-13115-00	CONNECTOR, SUCTION PIPE	1				
25	90445-08376	HOSE (L330)	1				
26	BR8-11354-00	GASKET	1				
27	97002-05016	BOLT	4				



BR81110DT010

FIG. 1 CYLINDER

REF. NO.	PART NO.	DESCRIPTION	BR82	REMARKS
28	92902-05600	WASHER, PLATE	4	
29	BR8-11991-00	HOUSING 1	1	
30	BR8-11993-00	.GASKET	1	
31	97002-05020	BOLT	3	
32	92902-05600	WASHER, PLATE	3	
33	BR8-11995-00	SEAL, HOUSING	1	
34	BR8-1131P-00	HOLDER 4	1	
35	90464-25004	CLAMP	1	(101.0x7.0)

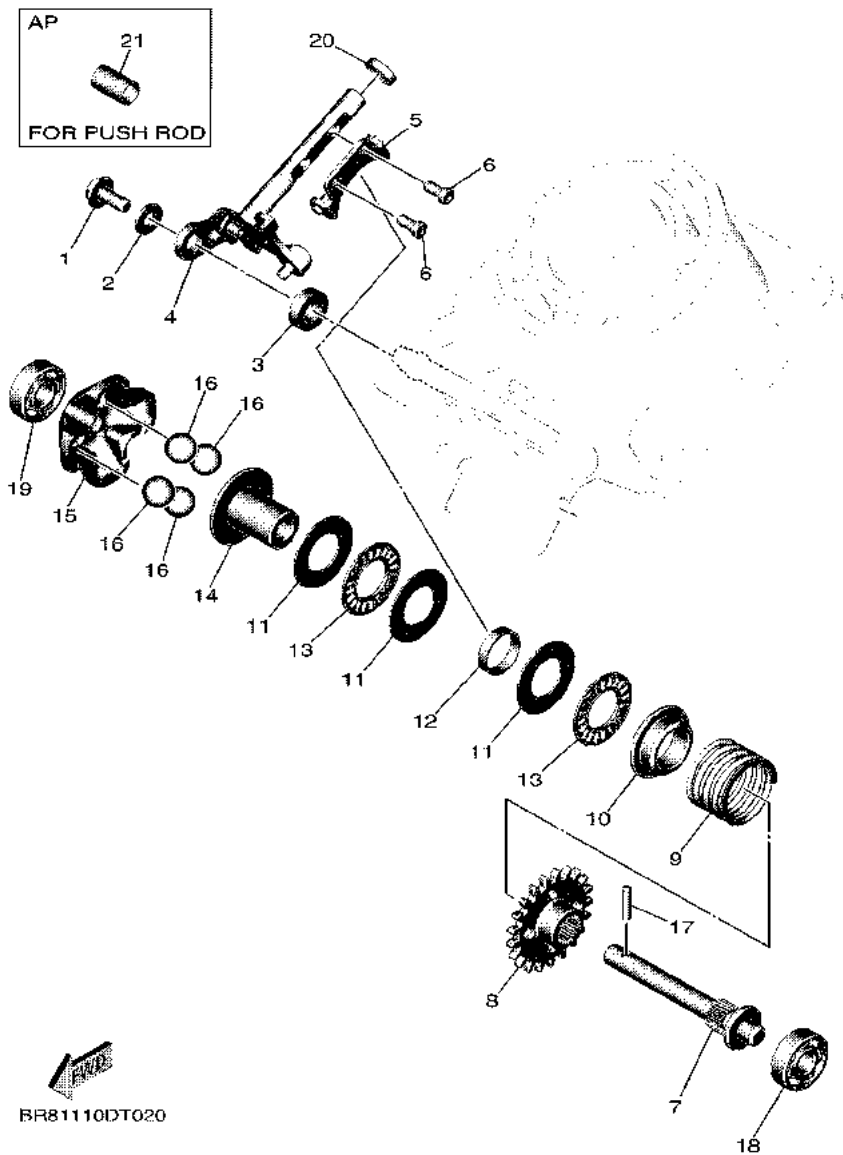
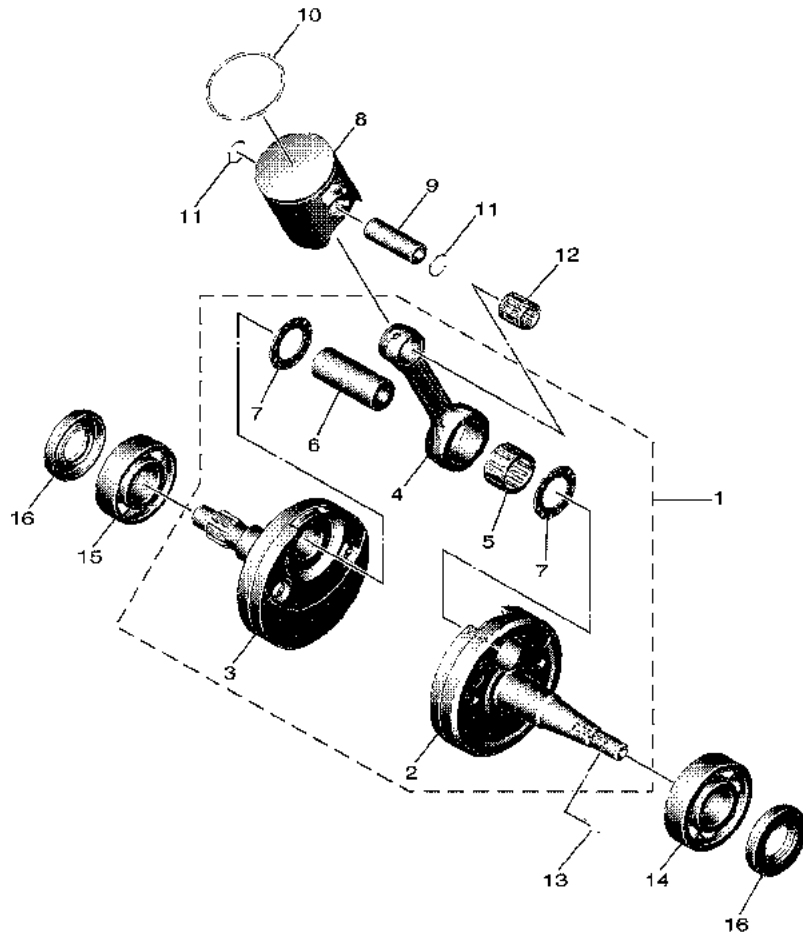


FIG. 2 GOVERNOR

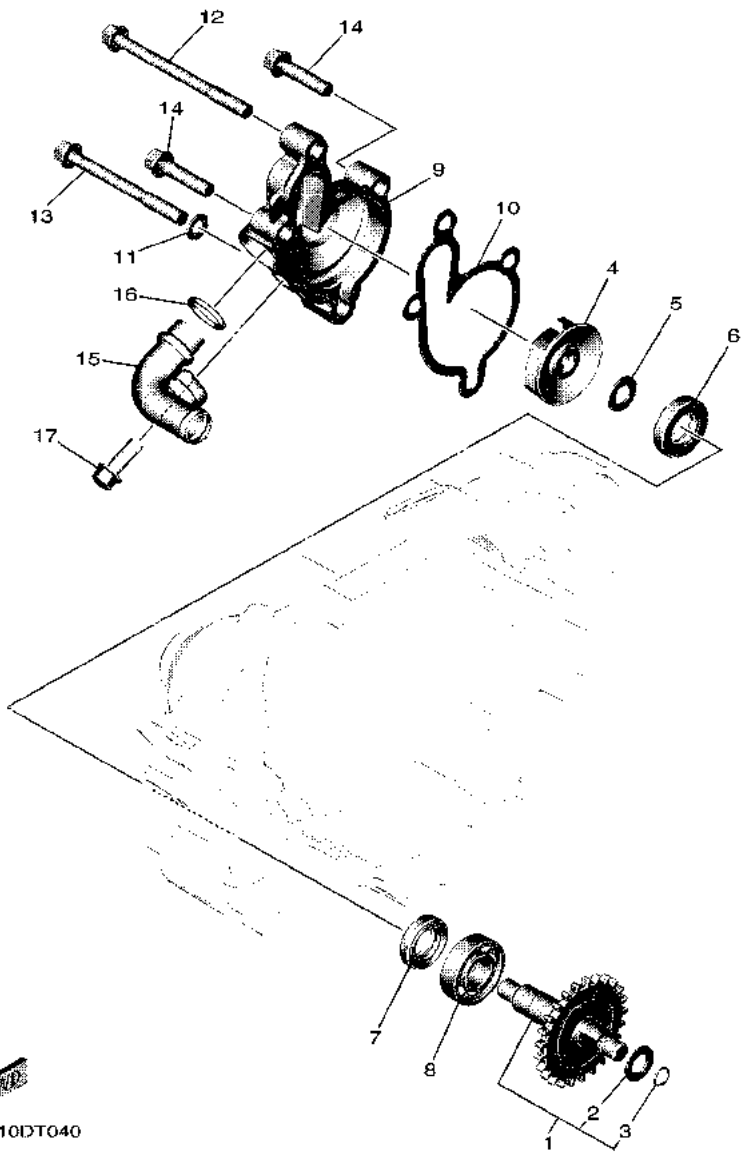
REF. NO.	PART NO.	DESCRIPTION	BR82	REMARKS
1	90105-05014	BOLT, FLANGE	1	
2	90201-05021	WASHER, PLATE	1	
3	90387-085E1	COLLAR	1	
4	BR8-11990-00	PUSH ROD ASSY	1	
5	3JE-11922-01	FORK, GOVERNOR	1	
6	91312-04008	BOLT, HEXAGON SOCKET HEAD	2	
7	5X4-11921-02	SHAFT, GOVERNOR	1	
8	BR8-11953-00	GEAR, GOVERNOR	1	
9	90501-26001	SPRING, COMPRESSION	1	
10	5CU-11952-00	PLATE	1	
11	90201-154F5	WASHER, PLATE (T=0.8)	3	
12	90387-152F2	COLLAR	1	
13	93340-21505	BEARING	2	
14	5CU-11912-00	RETAINER, WEIGHT	1	
15	5CU-11911-00	RETAINER	1	
16	93507-16020	BALL	4	
17	93603-14240	PIN, DOWEL	1	
18	93300-60801	BEARING	1	
19	93300-60801	BEARING	1	
20	93104-08040	OIL SEAL	1	
21	90387-080K6	COLLAR	1	AP



BR81110DT030

FIG. 3 CRANKSHAFT & PISTON

REF. NO.	PART NO.	DESCRIPTION	BR82	REMARKS
1	BR8-11400-00	CRANKSHAFT ASSY	1	
2	BR8-11410-00	.CRANKSHAFT	1	
3	BR8-11420-00	.CRANKSHAFT	1	
4	BR8-11651-00	.ROD, CONNECTING	1	
5	93310-418M6	.BEARING	1	
6	BR8-11681-00	.PIN, CRANK 1	1	
7	90209-18112	.WASHER	2	
8	BR8-11631-01-A0	PISTON (STD)	1	UR RED
	BR8-11631-01-B0	PISTON (STD)	1	UR ORANGE
	BR8-11631-01-C0	PISTON (STD)	1	UR GREEN
	BR8-11631-01-D0	PISTON (STD)	1	UR PURPLE
9	BR8-11633-00	PIN, PISTON	1	
10	BR8-11611-00	RING, PISTON	1	
11	93450-13130	CIRCLIP	2	
12	93310-21283	BEARING	1	
13	90280-03045	KEY, WOODRUFF	1	
14	93306-20438	BEARING	1	
15	93306-30421	BEARING	1	
16	93102-20485	OIL SEAL	2	

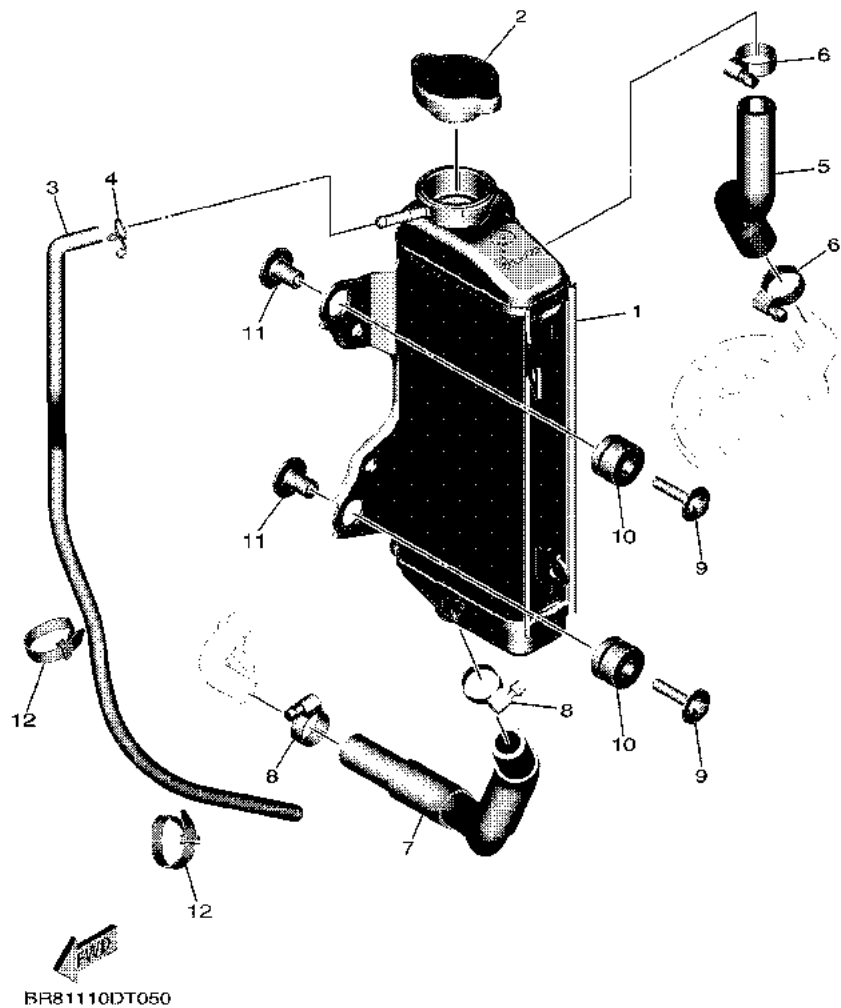


BR81110DT040

FIG. 4 WATER PUMP

REF. NO.	PART NO.	DESCRIPTION	BR82				REMARKS
1	5PA-12459-00	GEAR, IMPELLER SHAFT	1				
2	90201-08512	.WASHER, PLATE	1				
3	93440-07182	.CIRCLIP	1				
4	5PA-12451-00	IMPELLER, WATER PUMP	1				
5	90201-08512	WASHER, PLATE	1				
6	93109-11073	OIL SEAL	1				
7	93102-12106	OIL SEAL (SD 12-22-5 HS)	1				
8	93306-00105	BEARING	1				
9	BR8-12422-00	COVER, HOUSING	1				
10	BR8-12428-00	GASKET, HOUSING COVER 2	1				
11	90430-06166	GASKET	1				
12	95E32-06070	BOLT, FLANGE DEEP RECESS	1				
13	95E32-06060	BOLT, FLANGE DEEP RECESS	1				
14	95E32-06025	BOLT, FLANGE DEEP RECESS	2				
15	BR8-12481-00	PIPE 1	1				
16	93210-132A7	O-RING	1				
17	95E32-06016	BOLT, FLANGE DEEP RECESS	1				

FIG. 5 RADIATOR & HOSE



REF. NO.	PART NO.	DESCRIPTION	BR82				REMARKS
1	BR8-1240A-00	RADIATOR ASSY	1				
2	5SL-12462-00	CAP, RADIATOR	1				
3	BR8-12463-00	PIPE, BREATHER	1				
4	90467-08002	CLIP	1				
5	BR8-12576-00	HOSE 1	1				
6	90450-22017	HOSE CLAMP ASSY	2				
7	BR8-12577-00	HOSE 2	1				
8	90450-22017	HOSE CLAMP ASSY	2				
9	90119-06262	BOLT, WITH WASHER	2				
10	90480-15528	GROMMET	2				
11	90387-06065	COLLAR	2				
12	90464-25004	CLAMP	2				(101.0x7.0)

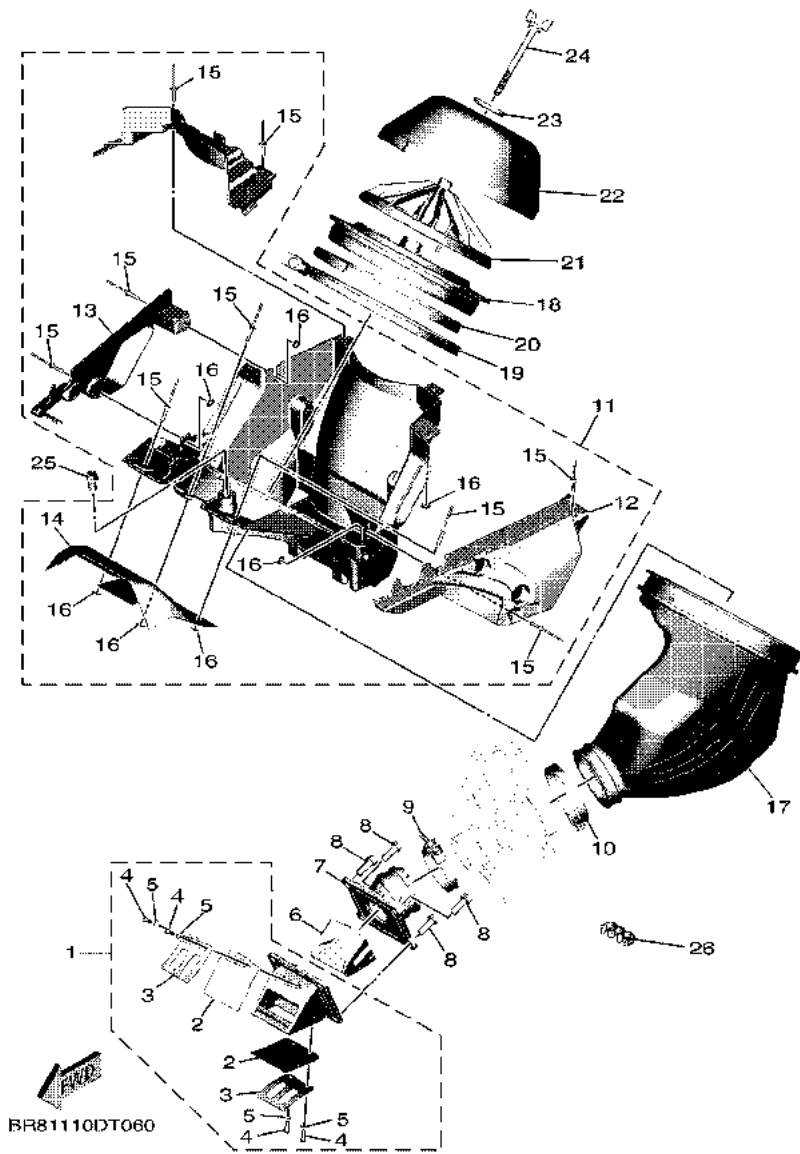


FIG. 6 INTAKE

REF. NO.	PART NO.	DESCRIPTION	BR82				REMARKS
1	BR8-13610-00	REED VALVE ASSY	1				
2	BR8-13613-00	.REED, VALVE	2				
3	4ES-13616-00	.STOPPER, REED VALVE	2				
4	98502-03006	.SCREW, PAN HEAD	4				
5	92902-03100	.WASHER	4				
6	BR8-13625-00	SPACER, REED VALVE	1				
7	BR8-13565-00	JOINT, CARBURETOR	1				
8	95E32-06016	BOLT, FLANGE DEEP RECESS	4				
9	90450-43002	HOSE CLAMP ASSY	1				
10	90450-56004	HOSE CLAMP ASSY	1				
11	BR8-14401-00	AIR CLEANER CASE ASSY	1				
12	BR8-1441A-00	.COVER, CLEANER CASE 1	1				
13	BR8-1441E-00	.COVER, CLEANER CASE 2	1				
14	BR8-14417-00	.COVER 1	1				
15	90267-32196	.RIVET, BLIND	9				
16	90201-03313	.WASHER, PLATE	7				
17	BR8-14453-00	JOINT, AIR CLEANER 1	1				
18	BR8-14459-00	HOLDER, GUIDE	1				
19	BR8-14455-00	BAND	1				
20	BR8-14442-00	SPACER	1				
21	BR8-14458-00	GUIDE	1				
22	BR8-14451-00	ELEMENT, AIR CLEANER	1				
23	90209-06096	WASHER	1				
24	90122-06005	BOLT, WING	1				
25	95E32-06012	BOLT, FLANGE DEEP RECESS	1				
26	90464-07M05	CLAMP	1				

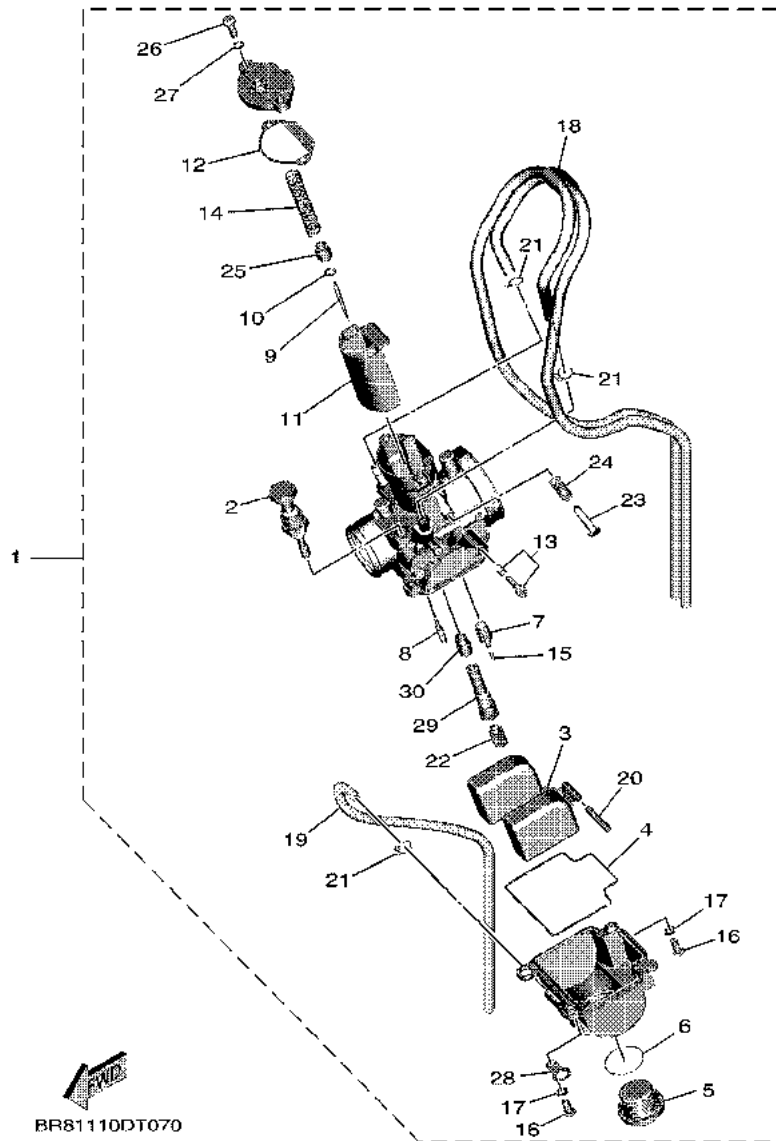
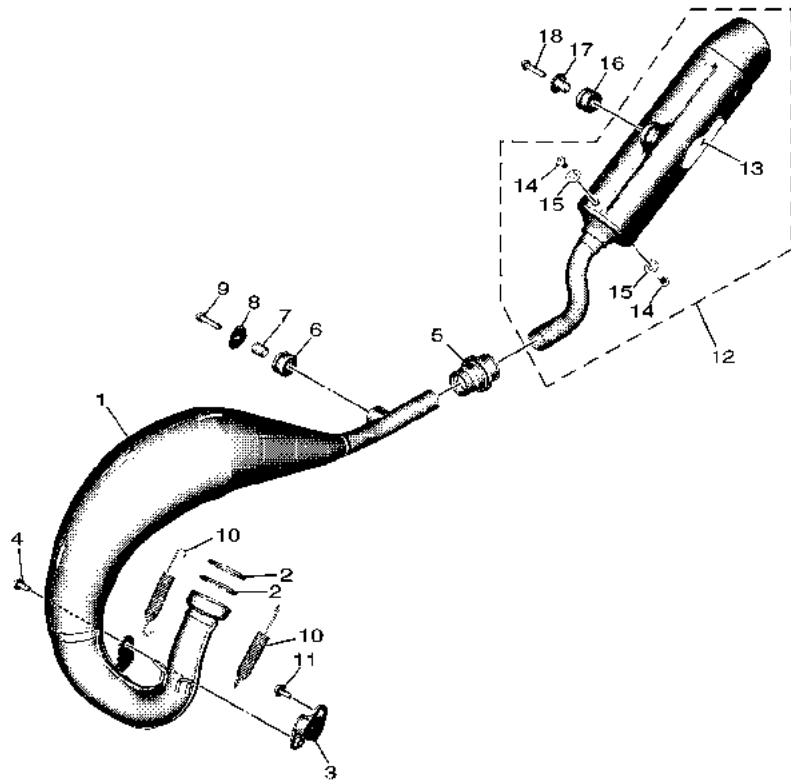


FIG. 7 CARBURETOR

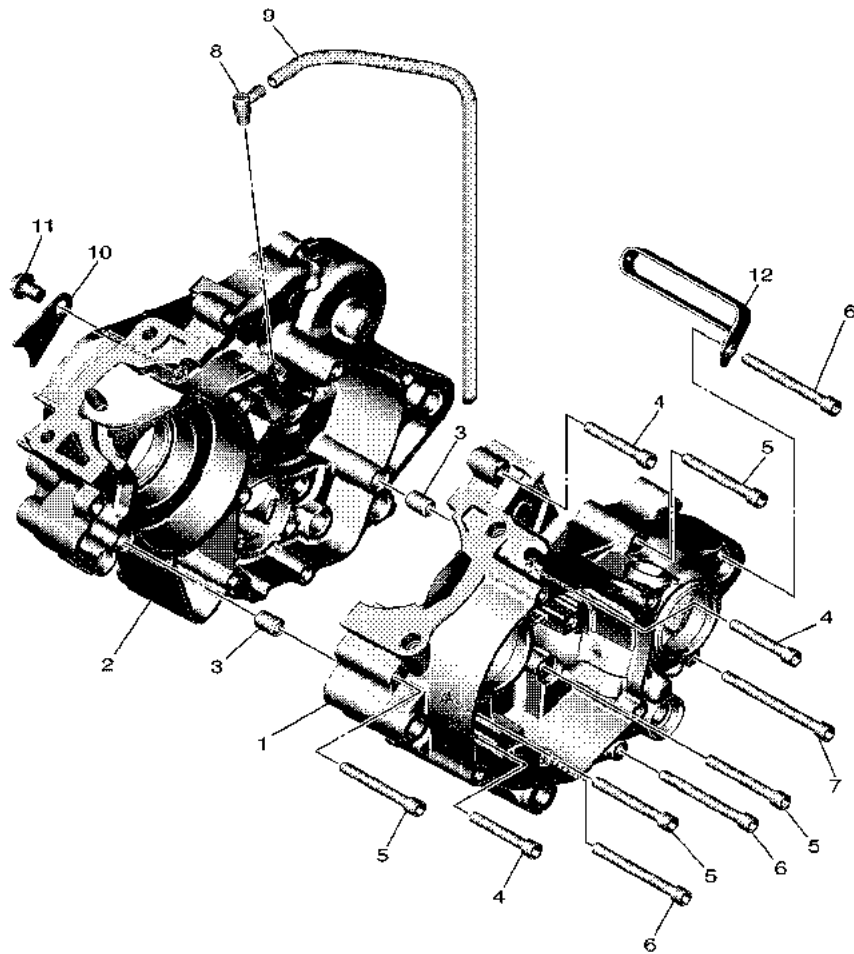
REF. NO.	PART NO.	DESCRIPTION	BR82	REMARKS
1	BR8-14101-00	CARBURETOR ASSY 1	1	
2	4JT-14171-00	.PLUNGER, STARTER	1	
3	5PA-14985-00	.FLOAT	1	
4	5PA-14984-00	.GASKET, FLOAT CHAMBER	1	
5	4MX-14115-00	.PLUG, SCREW	1	
6	4MX-14561-00	.O-RING	1	
7	5PA-14392-00	.VALVE, NEEDLE	1	
8	4MX-14948-06	.JET, SLOW (#48)	1	STD
	4MX-14948-07	.JET, SLOW (#50)	1	AP
9	5PA-14916-PF	.NEEDLE (NAPF)	1	STD
	5PA-14916-PE	.NEEDLE (NAPE)	1	AP
	5PA-14916-PG	.NEEDLE (NAPG)	1	AP
	5PA-14916-HE	.NEEDLE (NWHF)	1	AP
	5PA-14916-HF	.NEEDLE (NWHF)	1	AP
	5PA-14916-HG	.NEEDLE (NWHG)	1	AP
10	4MX-14919-00	.CLIP	1	
11	5PA-14340-00	.VALVE ASSY	1	
12	5PA-14126-00	.GASKET	1	
13	5PA-14105-00	.PILOT SCREW SET	1	
14	5PA-14131-00	.SPRING, THROTTLE VALVE	1	
15	5PA-14159-00	.CLIP	1	
16	98504-04014	.SCREW, PAN HEAD	2	
17	92903-04600	.WASHER	2	
18	BR8-1410E-00	.HOSE	1	
19	4XL-14197-10	.PIPE	1	
20	676-14548-00	.PIN, FLOAT ARM	1	
21	3TJ-14137-40	.CLIP	3	

FIG. 8 EXHAUST



BR81110DT080

REF. NO.	PART NO.	DESCRIPTION	BR82				REMARKS
1	BR8-14610-00	EXHAUST PIPE ASSY 1	1				
2	BR8-14642-00	SEAL, EXHAUST	2				
3	565-14771-00	STAY, MUFFLER 1	1				
4	90119-06133	BOLT, WITH WASHER	1				
5	17W-14615-00	JOINT, EXHAUST 1	1				
6	90480-18411	GROMMET	1				
7	90387-105L0	COLLAR	1				
8	90201-06086	WASHER, PLATE	1				
9	95E32-06025	BOLT, FLANGE DEEP RECESS	1				
10	90506-20018	SPRING, TENSION	2				
11	90119-06133	BOLT, WITH WASHER	1				
12	BR8-14753-00	SILENCER, EXHAUST	1				
13	BR8-1469A-00	.FIBER	1				
14	92017-06010	.BOLT, BUTTON HEAD	2				
15	90201-06050	.WASHER, PLATE	2				
16	90480-16561	GROMMET	1				
17	90387-06168	COLLAR	1				
18	95E32-06025	BOLT, FLANGE DEEP RECESS	1				



BR81110DT090

FIG. 9 CRANKCASE

REF. NO.	PART NO.	DESCRIPTION	BR82				REMARKS
1	BR8-15111-00	CRANKCASE 1	1				
2	BR8-15121-00	CRANKCASE 2	1				
3	99530-10014	PIN, DOWEL	2				
4	91342-06040	BOLT	3				
5	91342-06050	BOLT	4				
6	91342-06060	BOLT	3				
7	91342-06070	BOLT	1				
8	353-13115-01	CONNECTOR, SUCTION PIPE	1				
9	90445-08376	HOSE (L330)	1				
10	5PA-15118-00	HOLDER	1				
11	90105-08126	BOLT, FLANGE	1				
12	90461-10136	CLAMP	1				

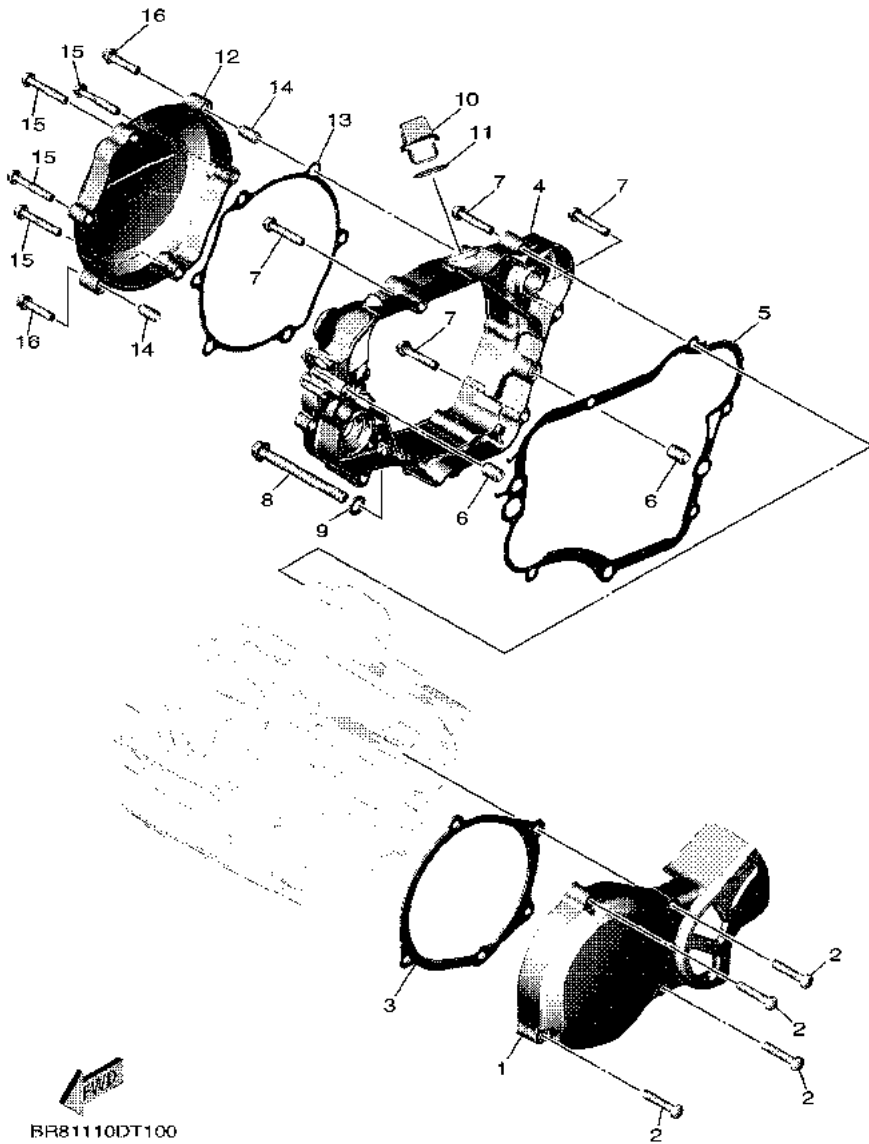
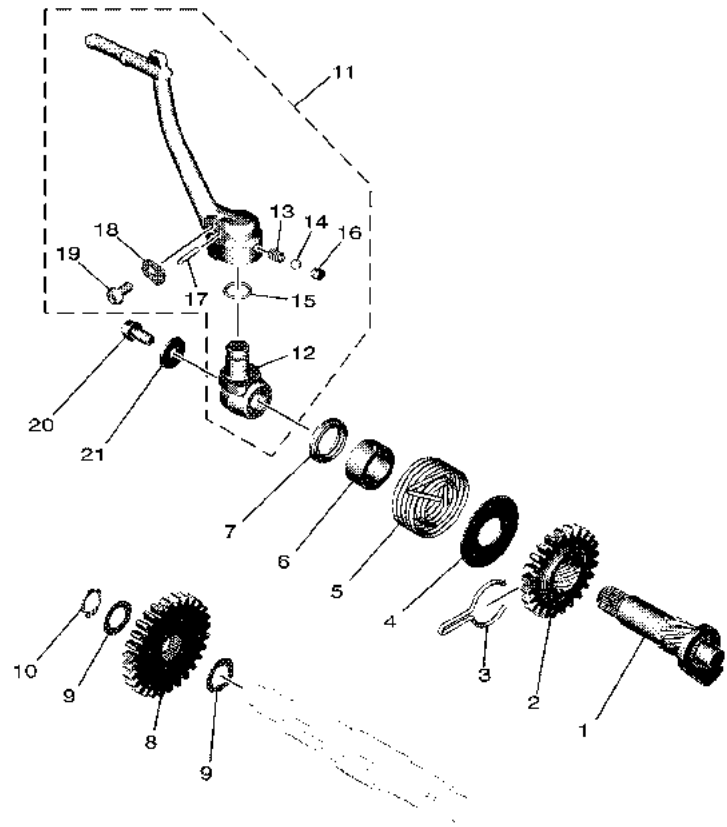


FIG. 10 CRANKCASE COVER

REF. NO.	PART NO.	DESCRIPTION	BR82	REMARKS
1	4ES-15411-02	COVER, CRANKCASE 1	1	
2	98502-06030	SCREW, PAN HEAD	4	
3	5PA-15451-00	GASKET, CRANKCASE COVER 1	1	
4	BR8-15431-00	COVER, CRANKCASE 3	1	
5	BR8-15461-00	GASKET, CRANKCASE COVER 2	1	
6	99530-10014	PIN, DOWEL	2	
7	95E32-06030	BOLT, FLANGE DEEP RECESS	4	
8	95E32-08080	BOLT, FLANGE DEEP RECESS	1	
9	90430-08119	GASKET	1	
10	3Y1-15363-10	PLUG, OIL	1	
11	93210-19123	O-RING	1	
12	5PA-15415-11	COVER, 1	1	
13	5PA-15463-00	GASKET, 2	1	
14	99530-08016	PIN, DOWEL	2	
15	95E32-06025	BOLT, FLANGE DEEP RECESS	4	
16	95E32-06035	BOLT, FLANGE DEEP RECESS	2	



BR81110DT110

FIG. 11 STARTER

REF. NO.	PART NO.	DESCRIPTION	BR82	REMARKS
1	5PA-15660-00	KICK AXLE ASSY	1	
2	5PA-15641-00	GEAR, KICK	1	
3	90468-23194	CLIP	1	
4	90201-176L4	WASHER, PLATE	1	
5	90508-26750	SPRING, TORSION	1	
6	4ES-15664-00	GUIDE, SPRING	1	
7	93102-17263	OIL SEAL	1	
8	5PA-15651-00	GEAR, KICK IDLE	1	
9	90201-124F8	WASHER, PLATE	2	
10	99009-12400	CIRCLIP	1	
11	BR8-15620-00	KICK CRANK ASSY	1	
12	BR8-15621-00	.BOSS, KICK CRANK	1	
13	90501-12081	.SPRING, COMPRESSION	1	
14	93507-32009	.BALL	1	
15	93210-12152	.O-RING	1	
16	90336-06031	.PLUG, TAPER	1	
17	93603-16219	.PIN, DOWEL	1	
18	4JY-11915-10	.PLATE, THRUST 1	1	
19	90111-05052	.BOLT, HEX. SOCKET BUTTON	1	
20	95E32-06012	BOLT, FLANGE DEEP RECESS	1	
21	90201-06060	WASHER, PLATE	1	

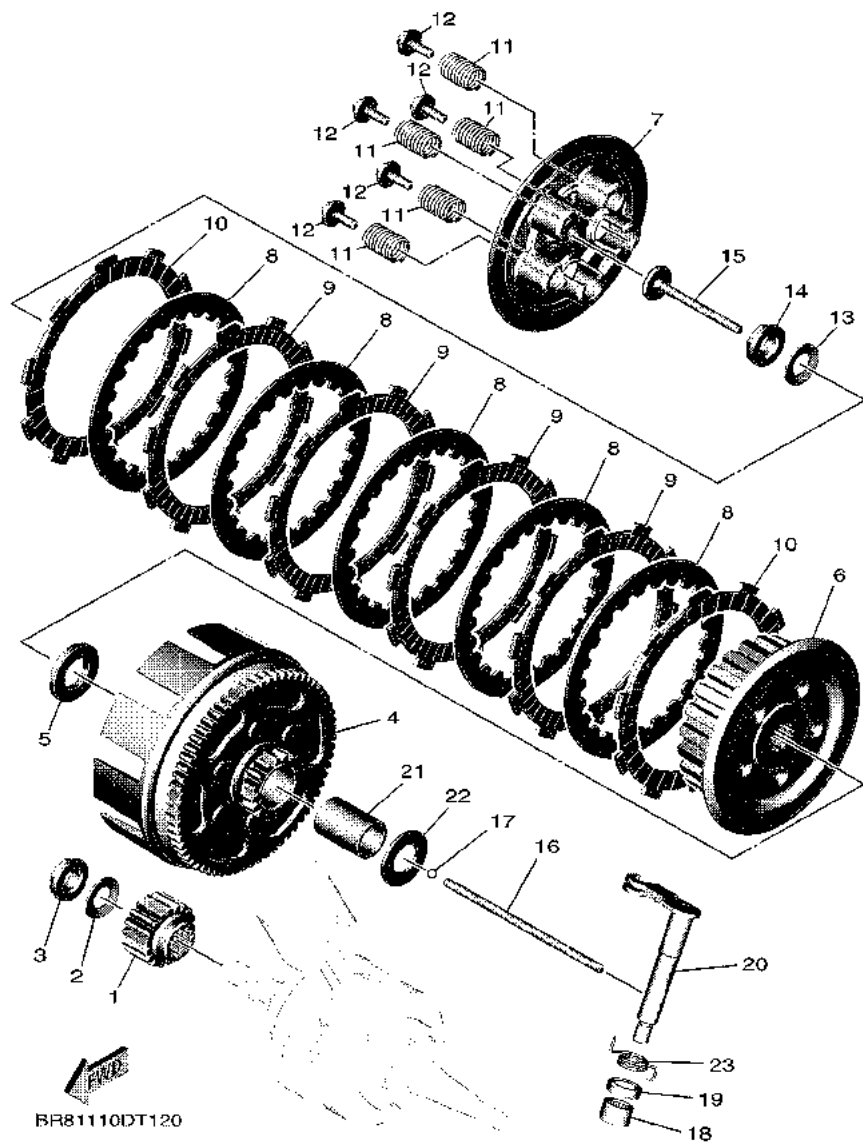


FIG. 12 CLUTCH

REF. NO.	PART NO.	DESCRIPTION	BR82				REMARKS
1	BR8-16111-00	GEAR, PRIMARY DRIVE	1				
2	90208-12015	WASHER, CONICAL SPRING	1				
3	90179-12007	NUT	1				
4	5PA-16150-10	PRIMARY DRIVEN GEAR COMP.	1				
5	90201-17558	WASHER, PLATE	1				
6	BR8-16371-00	BOSS, CLUTCH	1				
7	BR8-16351-00	PLATE, PRESSURE 1	1				
8	131-16324-00	PLATE, CLUTCH 1	5				
9	4ES-16321-00	PLATE, FRICTION	4				
10	21V-16321-00	PLATE, FRICTION	2				
11	90501-204A0	SPRING, COMPRESSION	5				
12	90119-05001	BOLT, WITH WASHER	5				
13	90208-12015	WASHER, CONICAL SPRING	1				
14	90179-12007	NUT	1				
15	4ES-16356-00	ROD, PUSH 1	1				
16	5PA-16357-00	ROD, PUSH 2	1				
17	93503-16003	BALL	1				
18	93315-11206	BEARING	1				
19	93102-12224	OIL SEAL	1				
20	4ES-16381-00	PUSH LEVER COMP.	1				
21	5PA-16181-00	SPACER 1	1				
22	90201-171G6	WASHER, PLATE	1				
23	90508-14016	SPRING, TORSION	1				

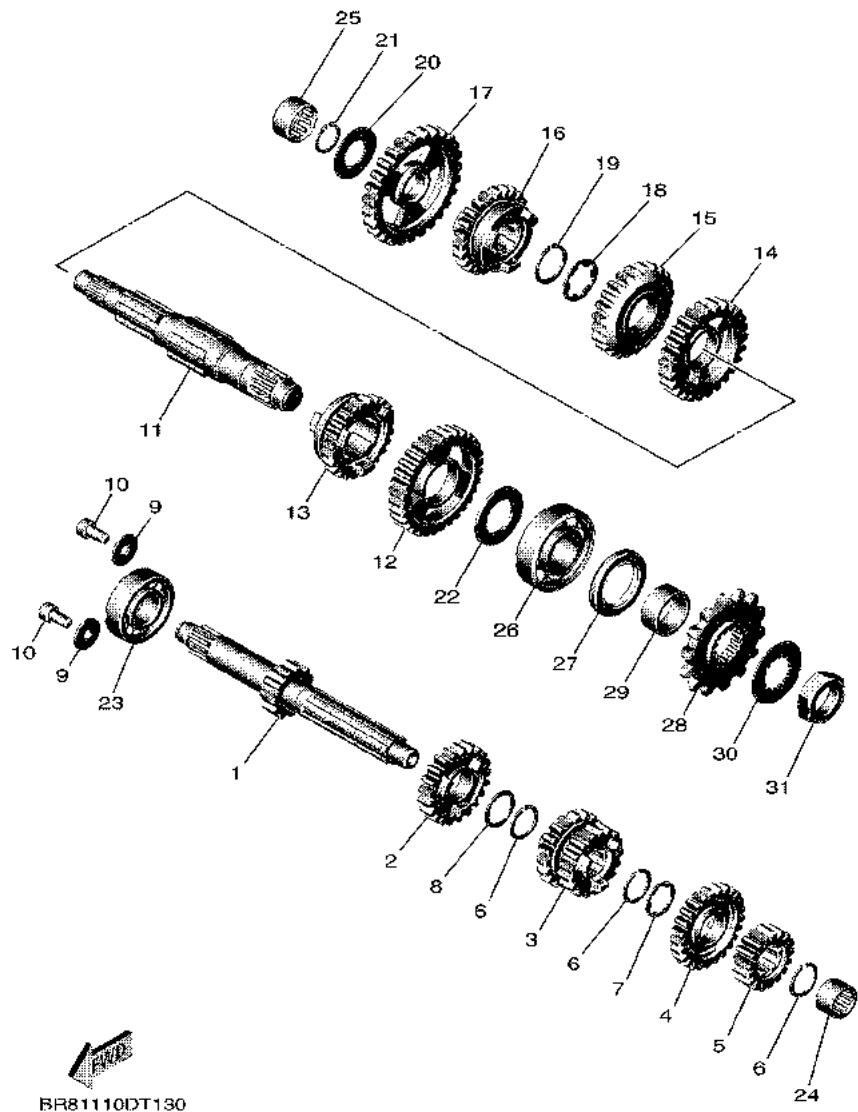


FIG. 13 TRANSMISSION

REF. NO.	PART NO.	DESCRIPTION	BR82	REMARKS
1	5PA-17411-00	AXLE, MAIN (11T)	1	
2	BR8-17151-00	GEAR, 5TH PINION (21T)	1	
3	BR8-17131-00	GEAR, 3RD PINION (17T/19T)	1	
4	BR8-17161-00	GEAR, 6TH PINION (25T)	1	
5	4ES-17121-01	GEAR, 2ND PINION (17T)	1	
6	93440-17064	CIRCLIP	3	
7	90209-14008	WASHER	1	
8	90201-17545	WASHER, PLATE	1	
9	90201-06060	WASHER, PLATE	2	
10	90110-06182	BOLT, HEXAGON SOCKET HEAD	2	
11	BR8-17421-00	AXLE, DRIVE	1	
12	1SN-17221-00	GEAR, 2ND WHEEL (32T)	1	
13	BR8-17261-00	GEAR, 6TH WHEEL (24T)	1	
14	4ES-17231-20	GEAR, 3RD WHEEL (26T)	1	
15	BR8-17241-00	GEAR, 4TH WHEEL (24T)	1	
16	BR8-17251-00	GEAR, 5TH WHEEL (23T)	1	
17	BR8-17211-00	GEAR, 1ST WHEEL (27T)	1	
18	90209-16209	WASHER	1	
19	93410-20038	CIRCLIP	1	
20	164-17427-00-06	SHIM 1 (T=0.6)	1	UR
	164-17427-00-08	SHIM 1 (T=0.8)	1	UR
	164-17427-00-10	SHIM 1 (T=1.0)	1	UR
21	93440-15012	CIRCLIP	1	
22	90201-20611	WASHER, PLATE	1	
23	93306-20333	BEARING	1	
24	93317-11245	BEARING	1	
25	93315-31502	BEARING	1	

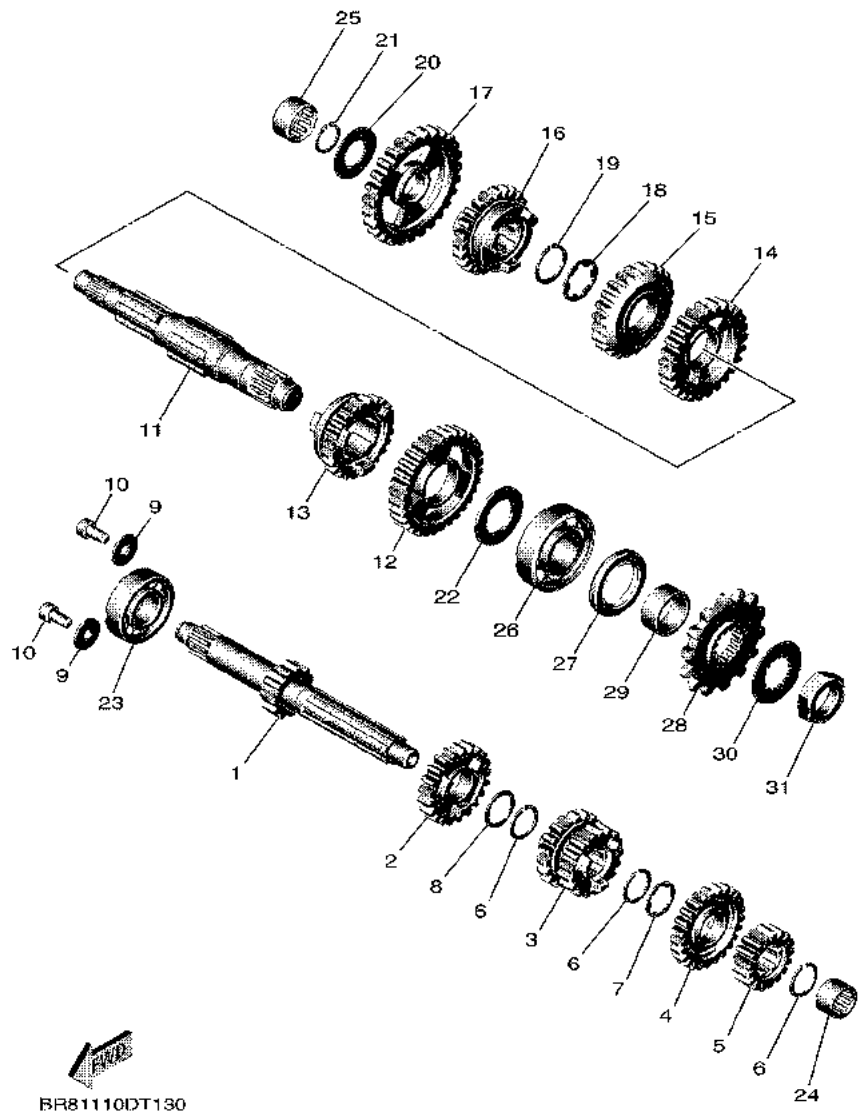
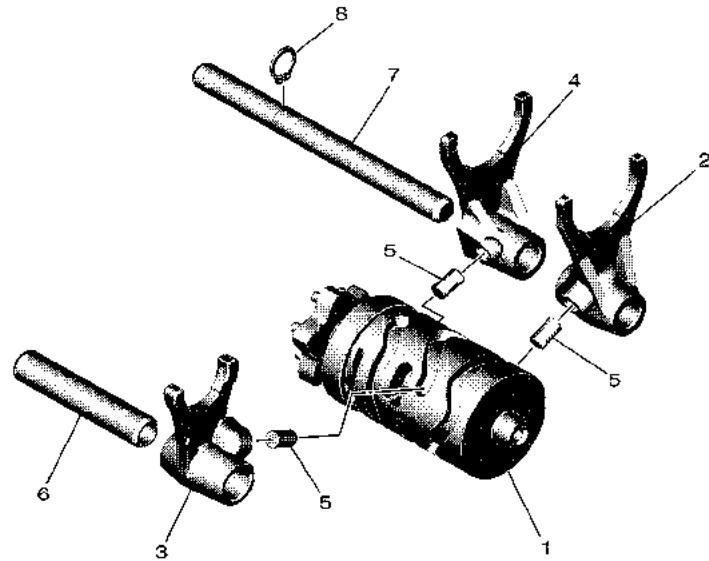


FIG. 13 TRANSMISSION

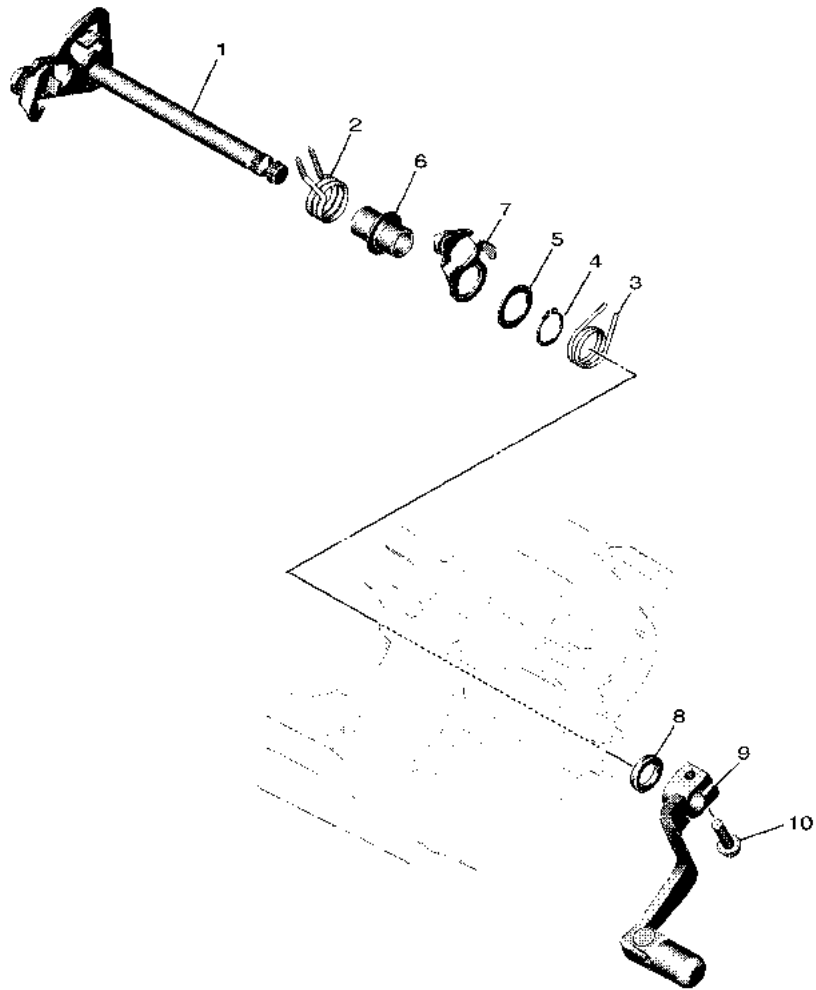
REF. NO.	PART NO.	DESCRIPTION	BR82				REMARKS
26	93306-20401	BEARING	1				
27	93102-26042	OIL SEAL	1				
28	9381A-14243	SPROCKET, DRIVE (14T)	1				
29	90387-202A0	COLLAR	1				
30	90215-20261	WASHER, LOCK	1				
31	90179-16016	NUT	1				

FIG. 14 SHIFT CAM & FORK



REF. NO.	PART NO.	DESCRIPTION	BR82				REMARKS
1	BR8-18540-00	SHIFT CAM ASSY	1				
2	4ES-18511-02	FORK, SHIFT 1	1				
3	5R2-18512-00	FORK, SHIFT 2	1				
4	4ES-18513-01	FORK, SHIFT 3	1				
5	90250-06013	PIN, STRAIGHT	3				
6	4BA-18531-00	BAR, SHIFT FORK GUIDE 1	1				
7	4BA-18535-00	BAR, SHIFT FORK GUIDE 2	1				
8	99009-10400	CIRCLIP	1				

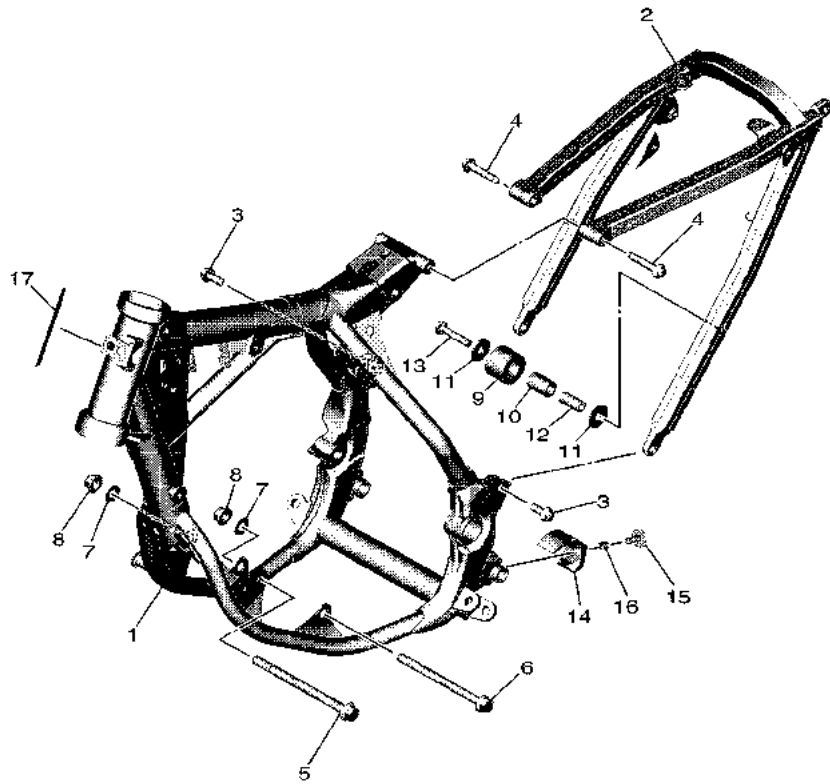

BR81110DT140



BR81110DT150

FIG. 15 SHIFT SHAFT

REF. NO.	PART NO.	DESCRIPTION	BR82				REMARKS
1	5PA-18101-00	SHIFT SHAFT ASSY	1				
2	90508-32016	SPRING, TORSION	1				
3	90508-24007	SPRING, TORSION	1				
4	99009-17400	CIRCLIP	1				
5	90201-177G4	WASHER, PLATE	1				
6	5PA-1811E-00	COLLAR, SHIFT PEDAL	1				
7	5PA-18140-00	STOPPER LEVER ASSY	1				
8	93101-12173	OIL SEAL	1				
9	BR8-18110-00	SHIFT PEDAL ASSY	1				
10	95814-06020	BOLT, FLANGE	1				



BR81110DT160

FIG. 16 FRAME

REF. NO.	PART NO.	DESCRIPTION	BR82				REMARKS
1	BR8-21101-00	FRONT FRAME COMP.	1				
2	BR8-21190-00	REAR FRAME COMP.	1				
3	90105-08307	BOLT, FLANGE	2				
4	90105-08231	BOLT, FLANGE	2				
5	90105-10148	BOLT, FLANGE	1				
6	90105-10174	BOLT, FLANGE	1				
7	90201-10045	WASHER, PLATE	2				
8	90179-10024	NUT	2				
9	30X-22178-00	TENSIONER	1				
10	4V4-22184-00	BUSH	1				
11	90201-08045	WASHER, PLATE	2				
12	90387-08041	COLLAR	1				
13	95E32-08040	BOLT, FLANGE DEEP RECESS	1				
14	4ES-22178-01	TENSIONER	1				
15	90119-06200	BOLT, WITH WASHER	1				
16	90387-064T3	COLLAR	1				
17	3HA-24141-00	PROTECTOR, FUEL TANK	1				

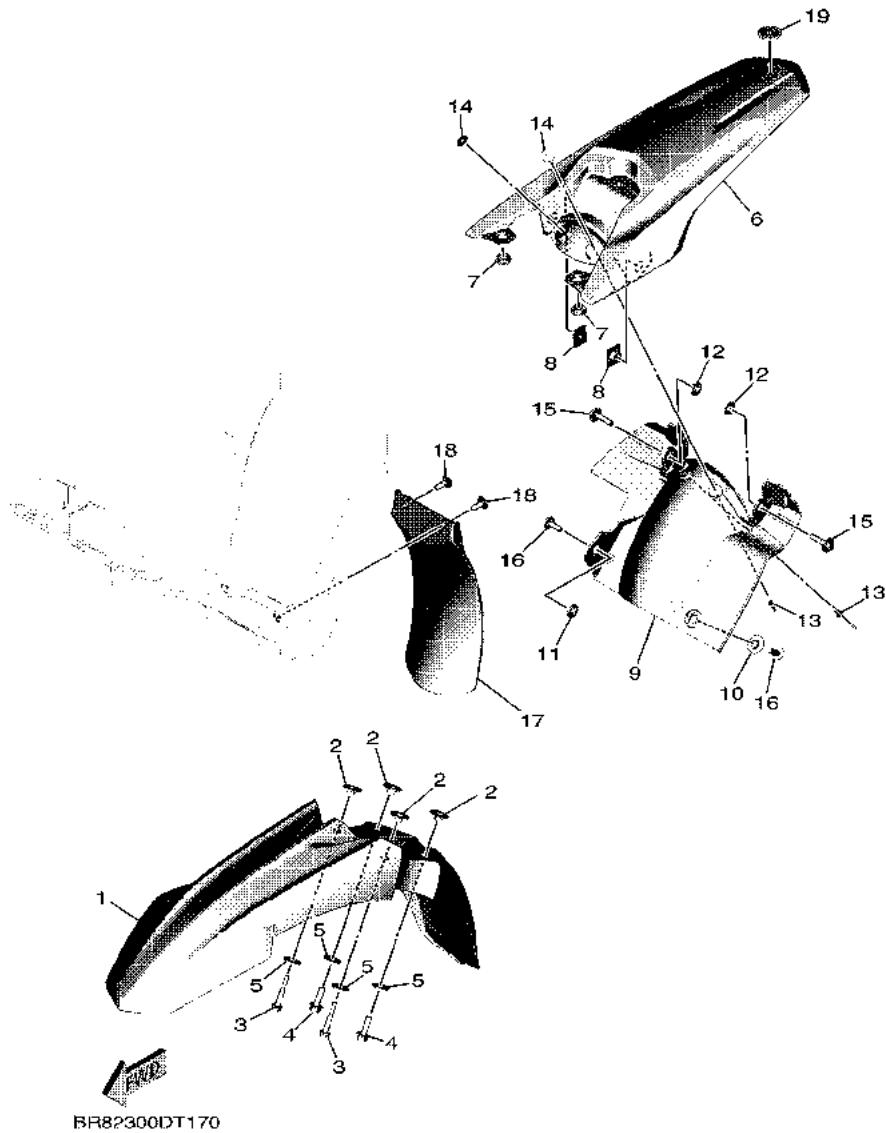


FIG. 17 FENDER

REF. NO.	PART NO.	DESCRIPTION	BR82				REMARKS
1	BR8-21511-00	FENDER, FRONT	1				
2	90387-06259	COLLAR	4				
3	90105-06210	BOLT, FLANGE	2				
4	90105-06127	BOLT, FLANGE	2				
5	90201-06077	WASHER, PLATE	4				
6	BR8-21611-00	FENDER, REAR	1				
7	90387-08086	COLLAR	2				
8	5XE-21635-10	NUT, REAR FENDER	2				
9	BR8-2162R-00	FENDER 2	1				
10	90387-064X4	COLLAR	1				
11	90387-07045	COLLAR	1				
12	90387-07027	COLLAR	2				
13	90267-40019	RIVET, BLIND	2				
14	90201-04030	WASHER, PLATE	2				
15	90119-06149	BOLT, WITH WASHER	2				
16	90105-06170	BOLT, FLANGE	2				
17	17D-21642-00	GUARD, FLAP	1				
18	97702-60016	SCREW, TAPPING	2				
19	5FK-2175C-30	TUNING FORK MARK	1				

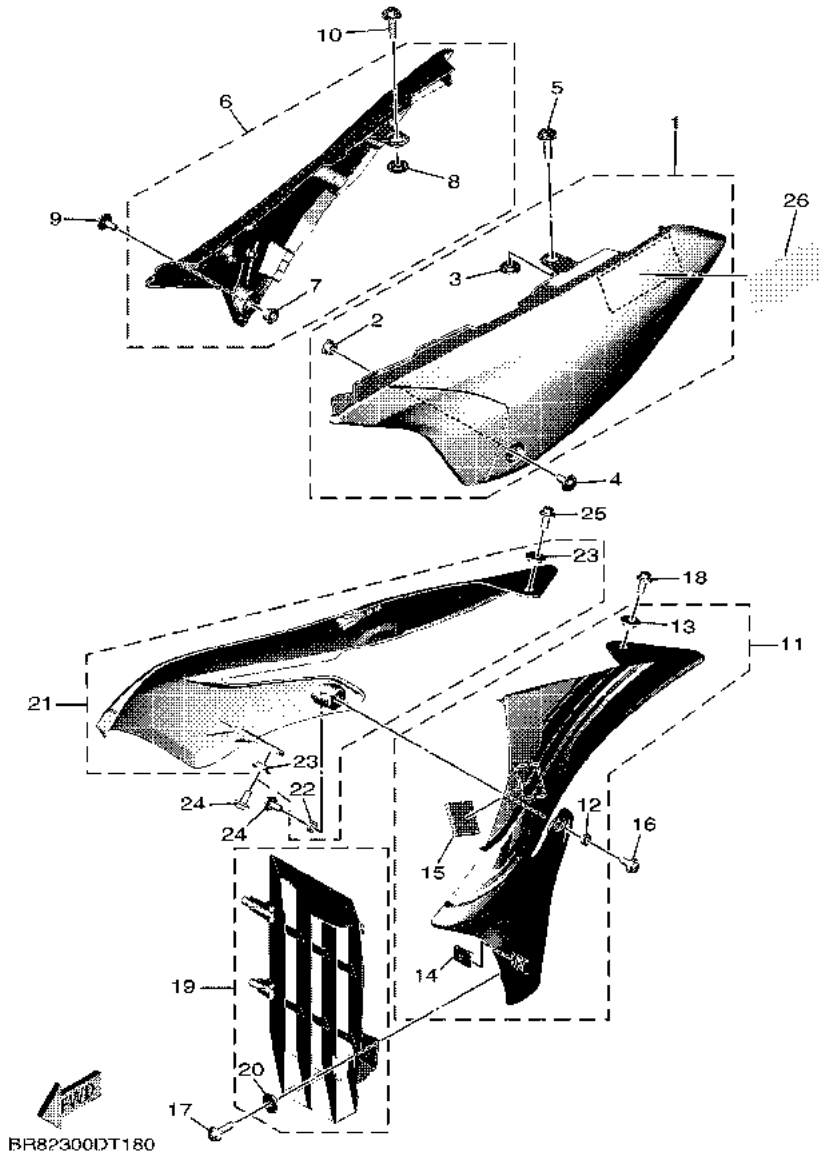


FIG. 18 SIDE COVER

REF. NO.	PART NO.	DESCRIPTION	BR82	REMARKS
1	BR8-21710-00	SIDE COVER ASSY 1	1	
2	90387-06307	.COLLAR	1	
3	90387-07045	.COLLAR	1	
4	90105-06170	BOLT, FLANGE	1	
5	90119-06149	BOLT, WITH WASHER	1	
6	BR8-21720-00	SIDE COVER ASSY 2	1	
7	90387-06307	.COLLAR	1	
8	90387-07045	.COLLAR	1	
9	90105-06170	BOLT, FLANGE	1	
10	90119-06149	BOLT, WITH WASHER	1	
11	BR8-217R0-A0	SIDE COVER INSERT ASSY. 3 (WG)	1	WITH GRAPHIC
	BR8-21730-00	SIDE COVER ASSY 3 (WOG)	1	AP WITHOUT GRAPHIC
12	90387-06372	.COLLAR	1	
13	17D-14449-00	.COLLAR	1	
14	90183-06069	.NUT, SPRING	1	
15	BR8-2174X-00	.DAMPER	1	
16	90105-06064	BOLT, FLANGE	1	
17	90105-06203	BOLT, FLANGE	1	
18	90119-06133	BOLT, WITH WASHER	1	
19	BR8-2172A-00	PANEL 1	1	
20	17D-14449-00	.COLLAR	1	
21	BR8-217S0-A0	SIDE COVER INSERT ASSY. 4 (WG)	1	WITH GRAPHIC
	BR8-21740-00	SIDE COVER ASSY 4 (WOG)	1	AP WITHOUT GRAPHIC
22	90387-06372	.COLLAR	1	
23	17D-14449-00	.COLLAR	2	
24	90105-06064	BOLT, FLANGE	2	
25	90119-06133	BOLT, WITH WASHER	1	

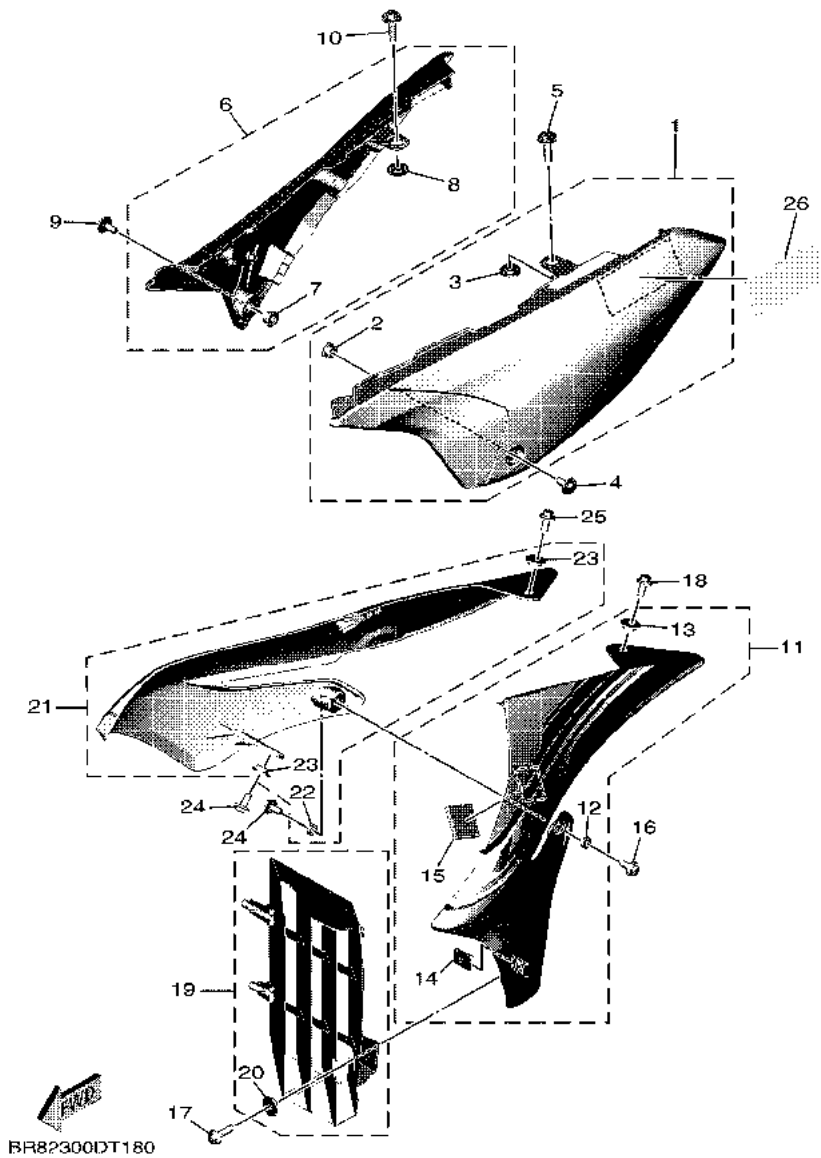
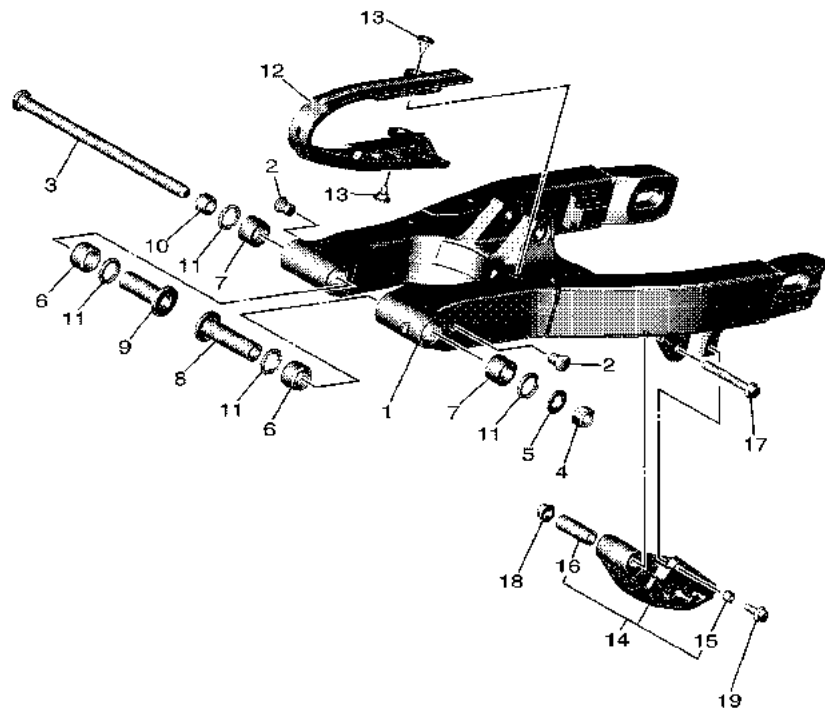


FIG. 18 SIDE COVER

REF. NO.	PART NO.	DESCRIPTION	BR82					REMARKS
26	5PG-2816R-00	LABEL, WARNING GENERAL INFO.	1					



BR82300DT190

FIG. 19 REAR ARM

REF. NO.	PART NO.	DESCRIPTION	BR82				REMARKS
1	BR8-22110-00	REAR ARM COMP.	1				
2	90338-10150	PLUG	2				
3	BR8-22141-00	SHAFT, PIVOT	1				
4	95612-12100	NUT, U	1				
5	90201-12032	WASHER, PLATE	1				
6	90385-17042	BUSH	2				
7	93317-21746	BEARING	2				
8	90387-127J8	COLLAR	1				
9	90387-127J7	COLLAR	1				
10	90387-1200U	COLLAR	1				
11	93109-17071	OIL SEAL	4				
12	BR8-22151-00	SEAL, GUARD	1				
13	1C3-22969-20	SCREW, 1	2				
14	BR8-22199-00	SUPPORT, CHAIN	1				
15	90387-06207	.COLLAR	1				
16	90387-09002	.COLLAR	1				
17	95E32-08055	BOLT, FLANGE DEEP RECESS	1				
18	95602-08200	NUT, U FLANGE	1				
19	95D02-06016	BOLT, FLANGE DEEP RECESS	1				

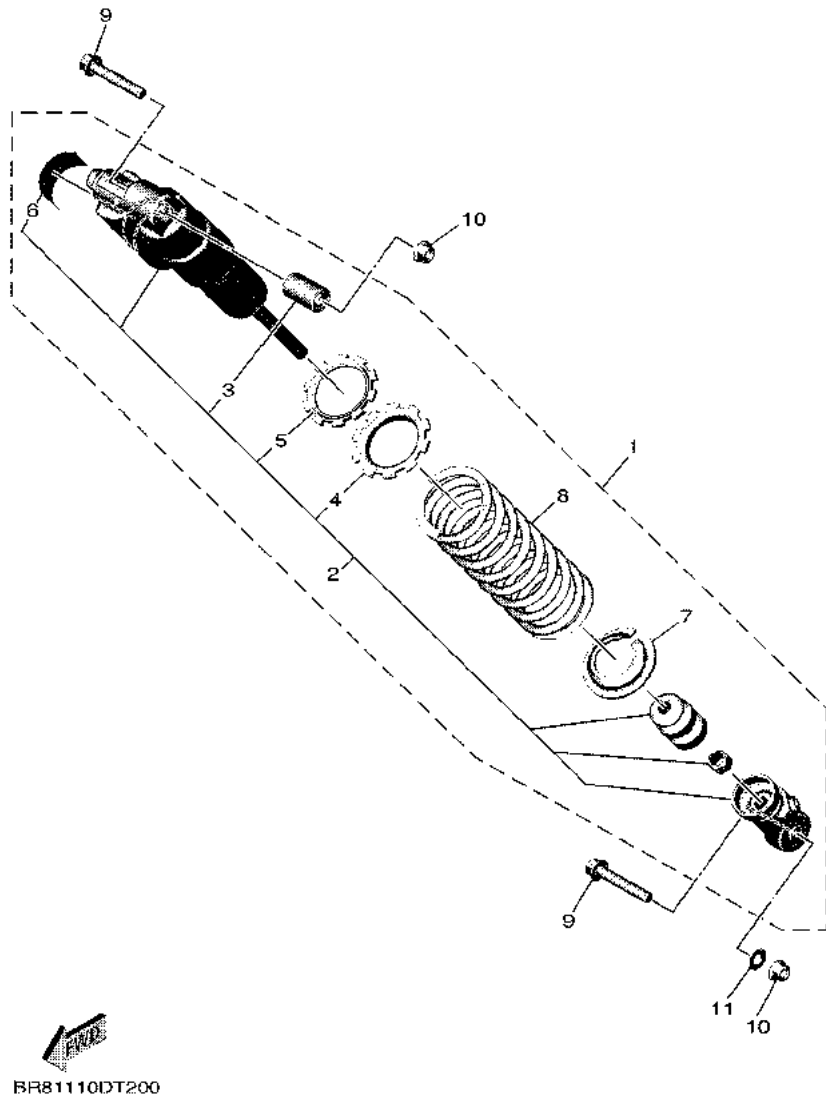
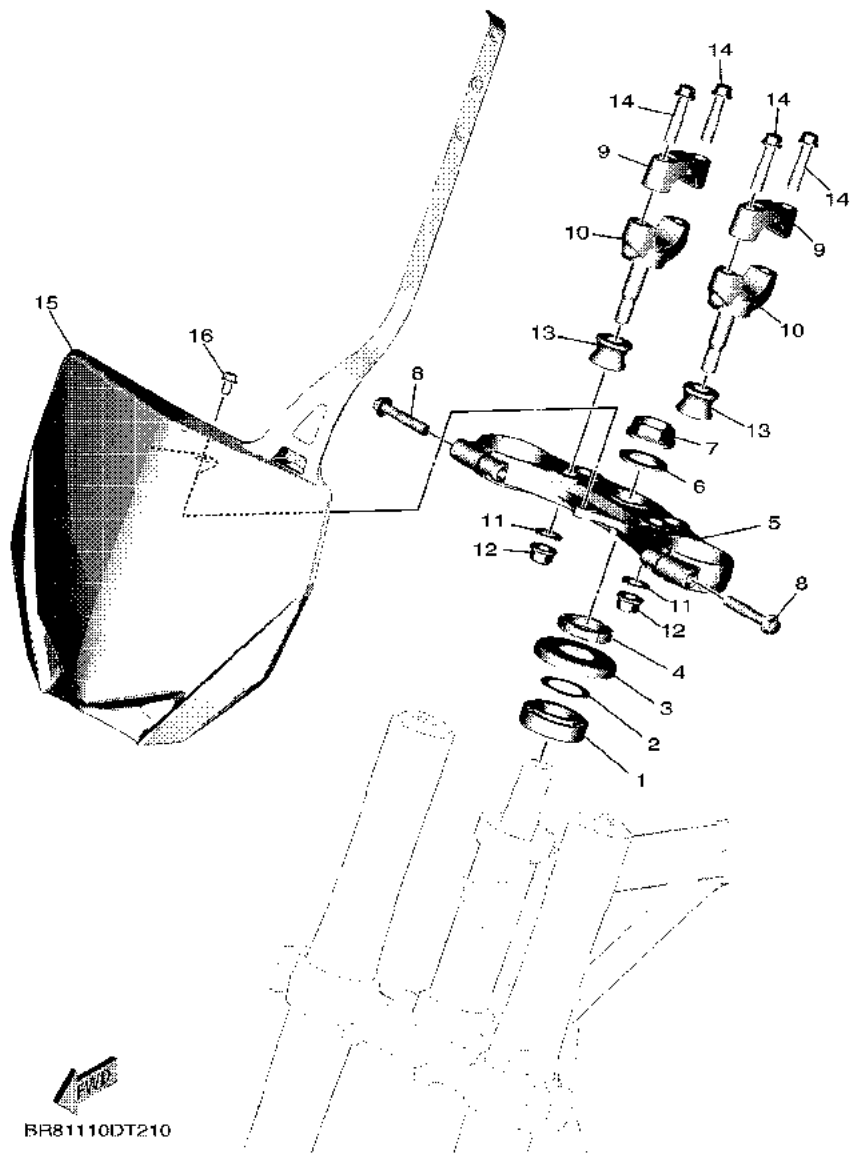


FIG. 20 REAR ARM & SUSPENSION

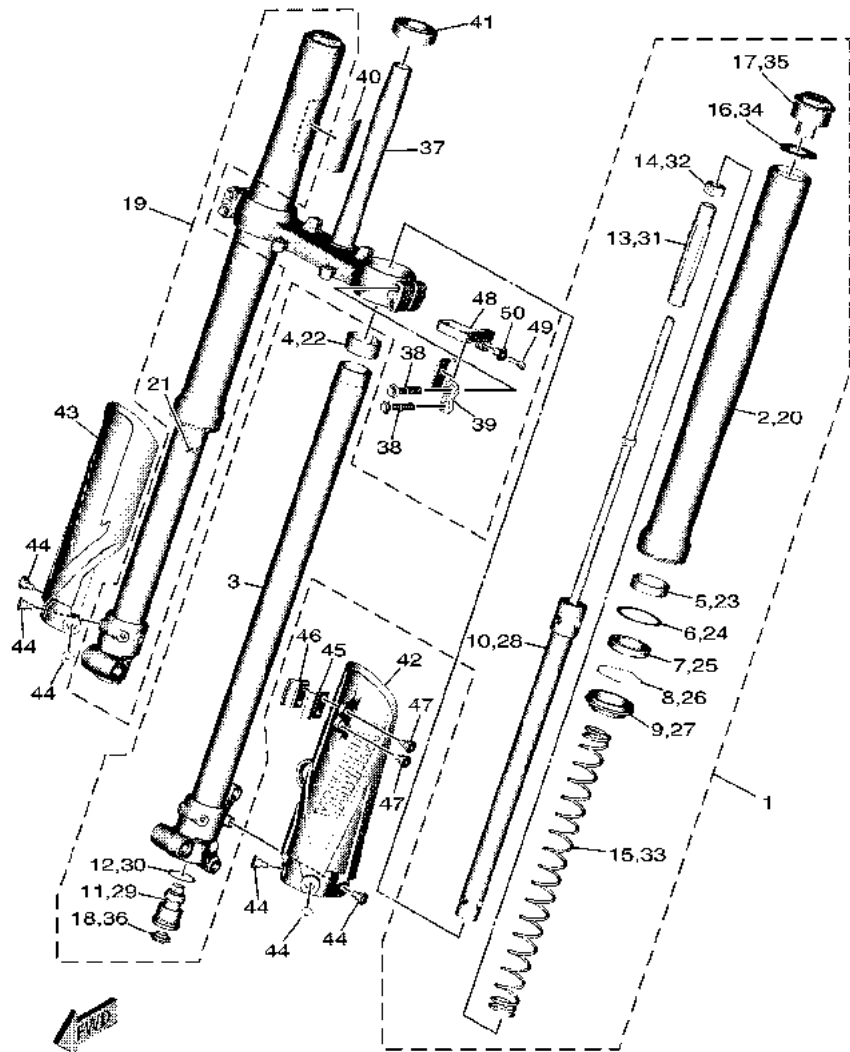
REF. NO.	PART NO.	DESCRIPTION	BR82				REMARKS
1	BR8-22200-10	SHOCK ABSORBER ASSY, REAR	1				
2	BR8-22201-10	.DAMPER SUB ASSY	1				
3	4ES-22216-00	..BUSH, REAR SHOCK ABSORBER	1				
4	4ES-22214-00	..GUIDE, SPRING 1	1				
5	4ES-22251-00	..NUT 1	1				
6	4AA-22259-40	..LABEL, WARNING	1				
7	BR8-22214-00	..GUIDE, SPRING 1	1				
8	BR8-22212-00	..SPRING (K=40N/MM)	1				
9	90105-10390	BOLT, FLANGE	2				
10	90179-10024	NUT	2				
11	90201-10045	WASHER, PLATE	1				

FIG. 21 STEERING



REF. NO.	PART NO.	DESCRIPTION	BR82				REMARKS
1	93332-00079	BEARING	1				
2	90201-256K5	WASHER, PLATE (0.5T)	1				
3	1J7-23415-00	COVER, BALL RACE 1	1				
4	90179-25004	NUT	1				
5	BR8-23435-00	CROWN, HANDLE	1				
6	90201-220T0	WASHER, PLATE	1				
7	90179-22025	NUT	1				
8	95E32-08040	BOLT, FLANGE DEEP RECESS	2				
9	18P-23441-00	HOLDER, HANDLE UPPER	2				
10	BR8-23442-00	HOLDER, HANDLE LOWER	2				
11	90201-10045	WASHER, PLATE	2				
12	95602-10200	NUT, S/L FLANGE	2				
13	BR8-23113-00	COLLAR	2				
14	90105-08154	BOLT, FLANGE	4				
15	1SN-23485-01	PLATE, NUMBER	1				
16	90105-06064	BOLT, FLANGE	1				

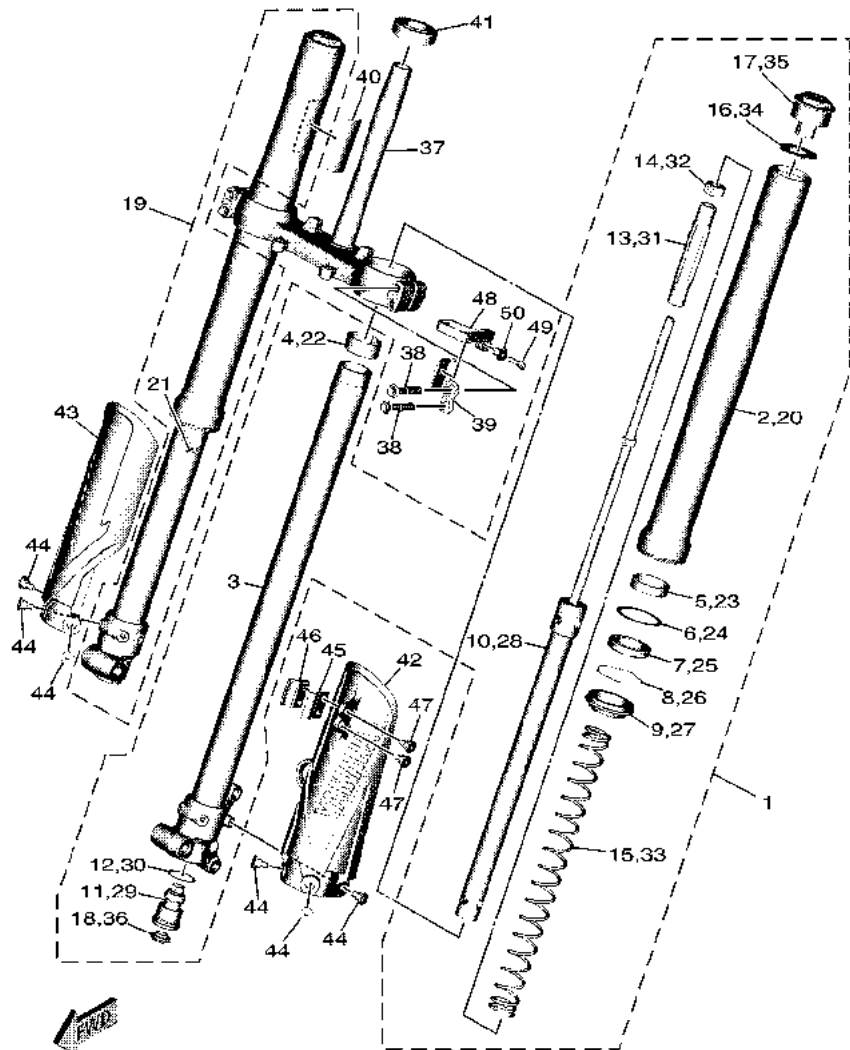
FIG. 22 FRONT FORK



BR81110DT220

REF. NO.	PART NO.	DESCRIPTION	BR82	REMARKS
1	BR8-23102-00	FRONT FORK ASSY (L.H)	1	
2	BR8-23136-00	.TUBE, OUTER 2	1	
3	BR8-23120-00	.INNER TUBE COMP.2	1	
4	5PA-23171-00	.PISTON, FRONT FORK	1	
5	5PA-23125-00	.METAL, SLIDE 1	1	
6	5K5-23149-00	.WASHER, SPRING UPPER	1	
7	4ES-23145-00	.OIL SEAL	1	
8	4A1-23156-00	.RING, SNAP	1	
9	4ES-23144-00	.SEAL, DUST	1	
10	BR8-23170-00	.CYLINDER COMP., FRONT FORK	1	
11	BR8-2316A-00	.VALVE COMP.	1	
12	2HH-23158-L0	.GASKET	1	
13	BR8-23142-00	.SEAT, SPRING UPPER	1	
14	3XJ-23357-L0	.NUT	1	
15	BR8-23141-00	.SPRING (K=2.8N/MM)	1	
16	5PA-23149-00	.WASHER, SPRING UPPER	1	
17	BR8-23111-00	.BOLT, CAP	1	
18	3JD-2312G-L0	.PLUG, HOLE	1	
19	BR8-23103-00	FRONT FORK ASSY (R.H)	1	
20	BR8-23136-00	.TUBE, OUTER 2	1	
21	BR8-23110-00	.INNER TUBE COMP.1	1	
22	5PA-23171-00	.PISTON, FRONT FORK	1	
23	5PA-23125-00	.METAL, SLIDE 1	1	
24	5K5-23149-00	.WASHER, SPRING UPPER	1	
25	4ES-23145-00	.OIL SEAL	1	
26	4A1-23156-00	.RING, SNAP	1	
27	4ES-23144-00	.SEAL, DUST	1	

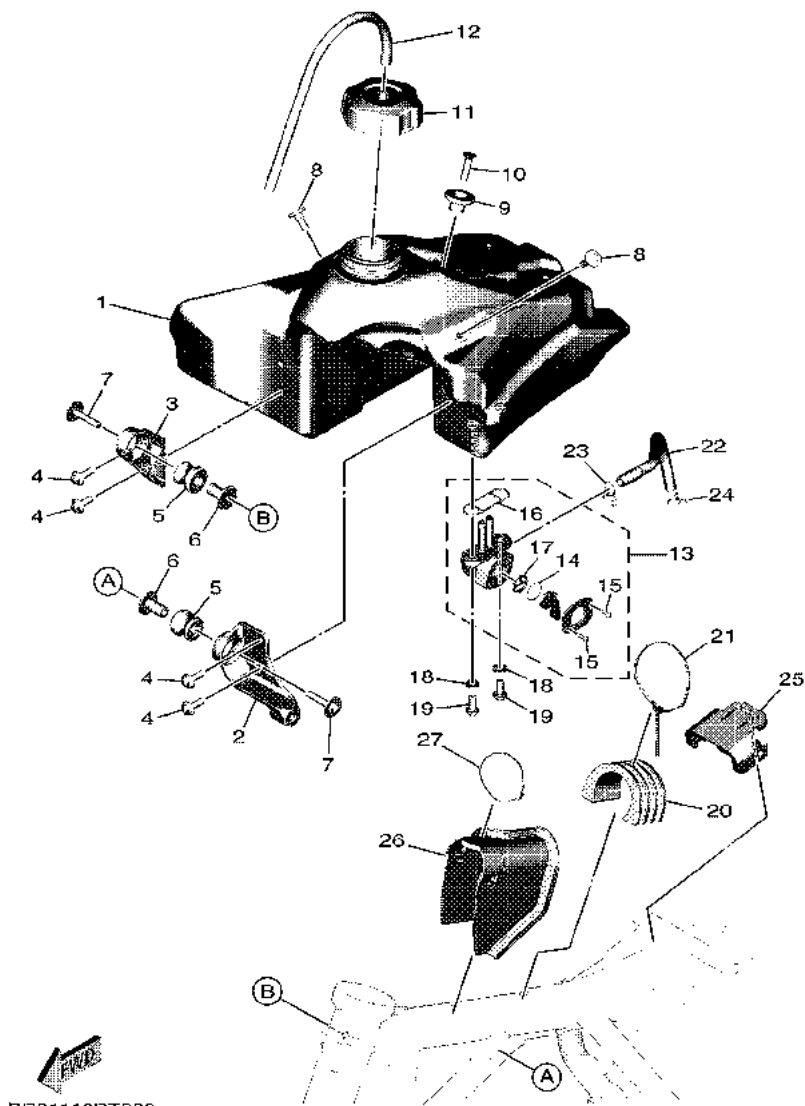
FIG. 22 FRONT FORK



BR81110DT220

REF. NO.	PART NO.	DESCRIPTION	BR82				REMARKS
28	BR8-23170-00	.CYLINDER COMP., FRONT FORK	1				
29	BR8-2316A-00	.VALVE COMP.	1				
30	2HH-23158-L0	.GASKET	1				
31	BR8-23142-00	.SEAT, SPRING UPPER	1				
32	3XJ-23357-L0	.NUT	1				
33	BR8-23141-00	.SPRING (K=2.8N/MM)	1				
34	5PA-23149-00	.WASHER, SPRING UPPER	1				
35	BR8-23111-00	.BOLT, CAP	1				
36	3JD-2312G-L0	.PLUG, HOLE	1				
37	BR8-23340-00	UNDER BRACKET COMP.	1				
38	5PA-23346-00	BOLT 1	4				
39	BR8-2331E-00	GUIDE, CABLE	1				
40	BR8-21268-00	SEAL	1				
41	93332-00079	BEARING	1				
42	BR8-2314H-00	PROTECTOR COMP., 1	1				
43	BR8-2314J-00	PROTECTOR COMP., 2	1				
44	90109-06232	BOLT	6				
45	17D-23466-00	CLAMP	1				
46	17D-23467-00	CLAMP	1				
47	90109-06232	BOLT	2				
48	5TJ-23389-80	GUIDE, CABLE	1				
49	90110-05034	BOLT, HEXAGON SOCKET HEAD	1				
50	90387-05065	COLLAR	1				

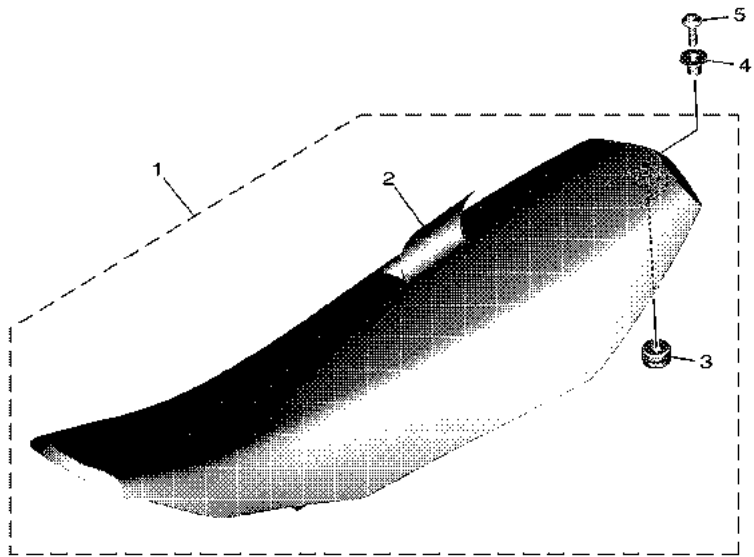
FIG. 23 FUEL TANK



BR81110DT230

REF. NO.	PART NO.	DESCRIPTION	BR82				REMARKS
1	BR8-24110-00	FUEL TANK COMP.	1				
2	BR8-24115-00	STAY, FUEL TANK 1	1				
3	BR8-24116-00	STAY, FUEL TANK 2	1				
4	90105-06170	BOLT, FLANGE	4				
5	90480-18549	GROMMET	2				
6	90387-06091	COLLAR	2				
7	90119-06262	BOLT, WITH WASHER	2				
8	90109-06326	BOLT	2				
9	4EW-2412F-00	BRACKET, SEAT	1				
10	98702-06025	SCREW, FLAT HEAD	1				
11	2FJ-24610-10	CAP ASSY	1				
12	90445-09004	HOSE (L280)	1				
13	4DP-24500-10	FUEL COCK ASSY 1	1				
14	3AJ-24534-10	.SEAL, COCK	1				
15	98507-03008	.SCREW, PAN HEAD	2				
16	4X8-24512-10	.GASKET	1				
17	3AC-24523-00	.VALVE PACKING	1				
18	90202-05193	WASHER, PLATE	2				
19	90149-06108	SCREW	2				
20	5PA-24182-00	DAMPER, LOCATING 2	1				
21	90464-65001	CLAMP	1				
22	BR8-24311-00	PIPE, FUEL 1	1				
23	90467-10008	CLIP	1				
24	90467-09002	CLIP	1				
25	5PA-24181-00	DAMPER, LOCATING 1	1				
26	BR8-2418B-00	MOLE, FUEL TANK 1	1				
27	90464-65001	CLAMP	1				

FIG. 24 SEAT



REF. NO.	PART NO.	DESCRIPTION	BR82				REMARKS
1	BR8-24710-00	SINGLE SEAT ASSY	1				
2	BR8-2470F-00	.SEAT COVER COMP.	1				
3	90480-14604	.GROMMET	1				
4	90387-07391	COLLAR	1				
5	90105-06203	BOLT, FLANGE	1				

BR81110DT240

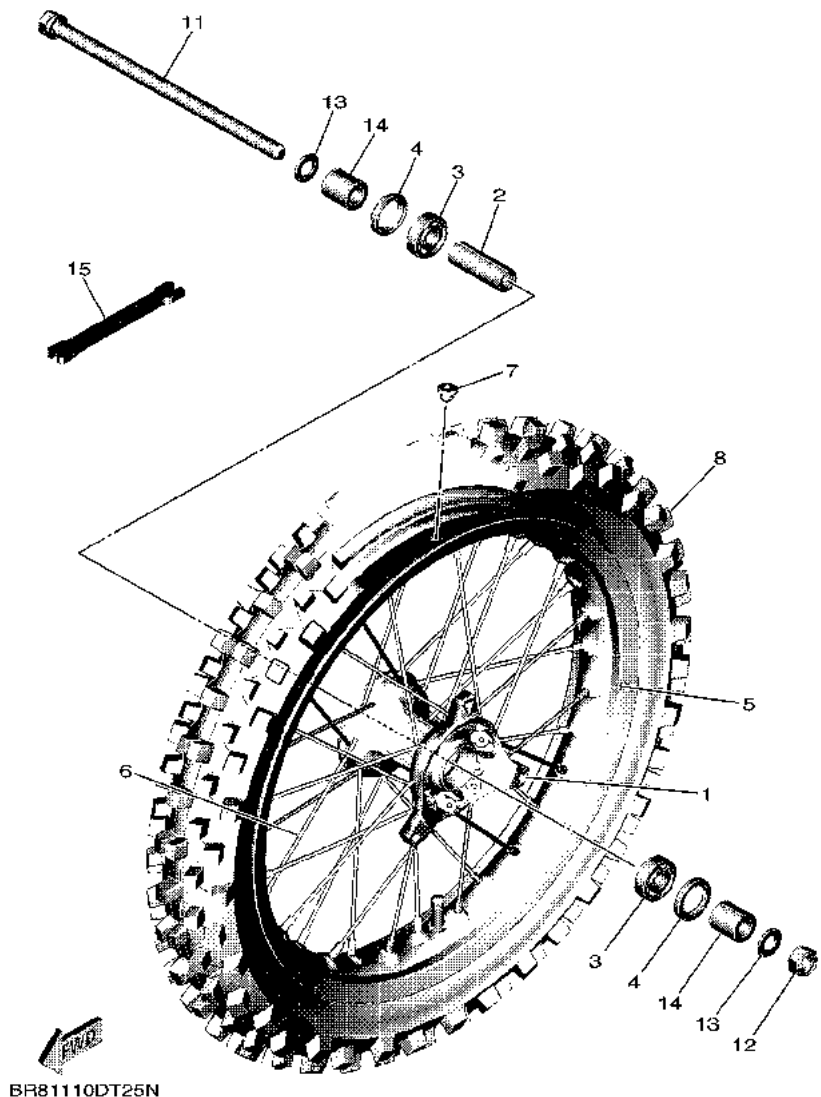
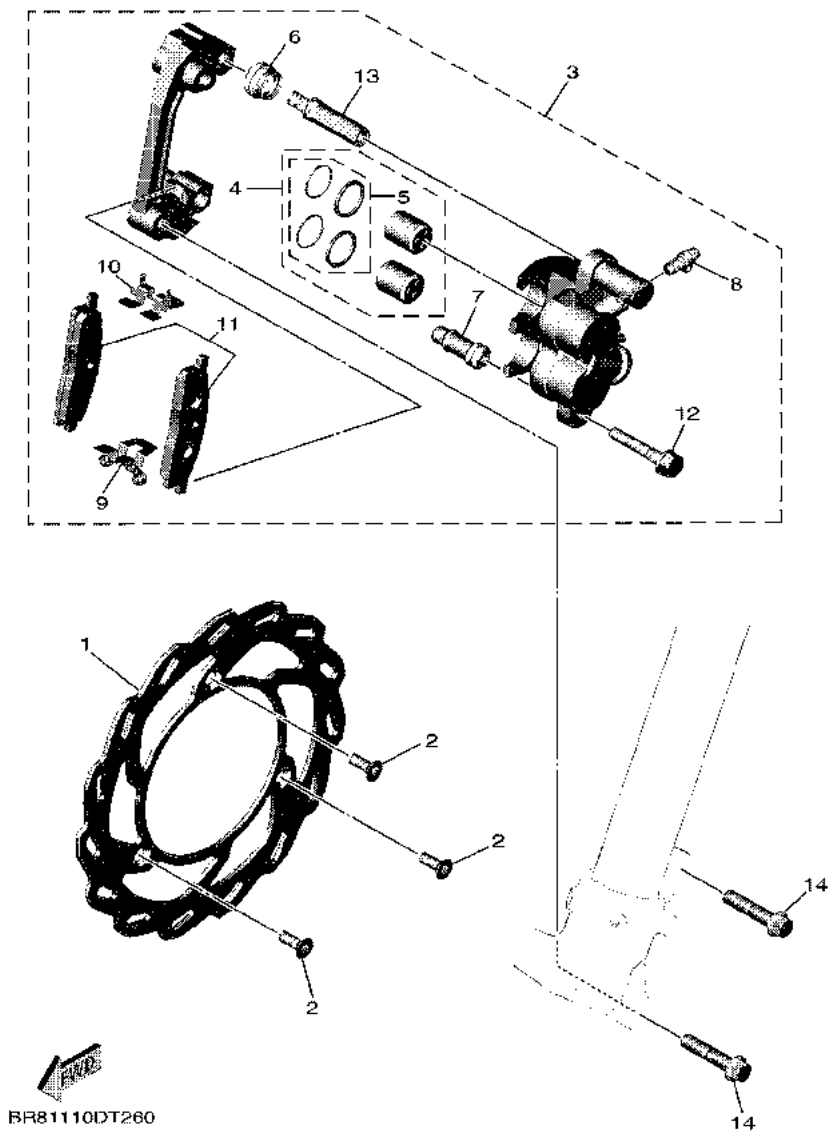


FIG. 25 FRONT WHEEL

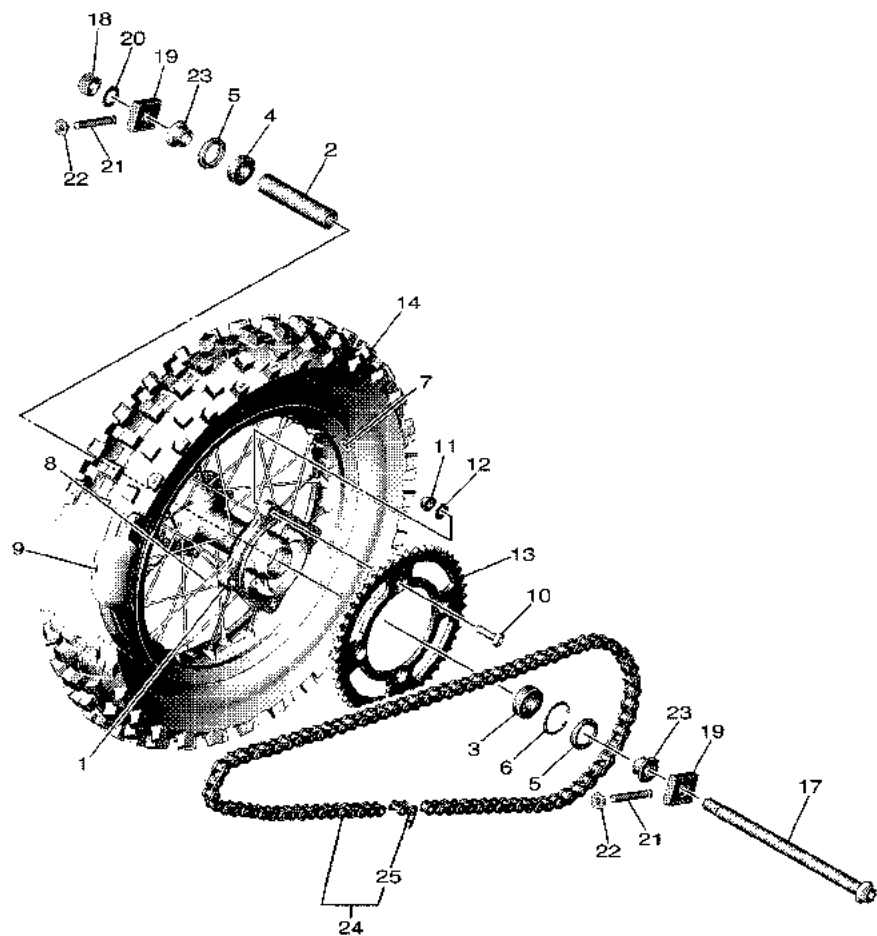
REF. NO.	PART NO.	DESCRIPTION	BR82				REMARKS
1	4ES-25111-01	HUB, FRONT	1				
2	BR8-25117-00	SPACER, BEARING	1				
3	93306-20103	BEARING	2				
4	93102-22087	OIL SEAL	2				
5	94416-14007	RIM (1.60-14)	1				
6	BR8-25104-00	SPOKE SET, FRONT	1				
7	90480-08608	GROMMET	1				
8	BR8-25108-00	FRONT TIRE SET	1				
11	90105-12120	BOLT, FLANGE	1				
12	90185-12010	NUT, SELF-LOCKING	1				
13	90201-12055	WASHER, PLATE	2				
14	BR8-25183-00	COLLAR, WHEEL	2				
15	1RH-28166-00	WRENCH, HEXAGON	1				

FIG. 26 FRONT BRAKE CALIPER



REF. NO.	PART NO.	DESCRIPTION	BR82				REMARKS
1	BR8-2582T-00	DISC, BRAKE (LEFT)	1				
2	90151-06024	SCREW, COUNTERSUNK	3				
3	5PA-2580T-00	CALIPER ASSY (LEFT)	1				
4	4ES-W0057-10	.PISTON ASSY, CALIPER	1				
5	4ES-W0047-10	..CALIPER SEAL KIT	1				
6	5R2-25937-00	.BOOT 2	1				
7	56A-25937-00	.BOOT 2	1				
8	51L-W0048-00	.BLEED SCREW KIT	1				
9	56A-25919-00	.SUPPORT, PAD	1				
10	56A-25919-10	.SUPPORT, PAD	1				
11	5PA-W0045-00	.BRAKE PAD KIT	1				
12	56A-25926-00	.BOLT	1				
13	34X-25914-00	.PIN, SLIDE	1				
14	90105-08137	BOLT, FLANGE	2				

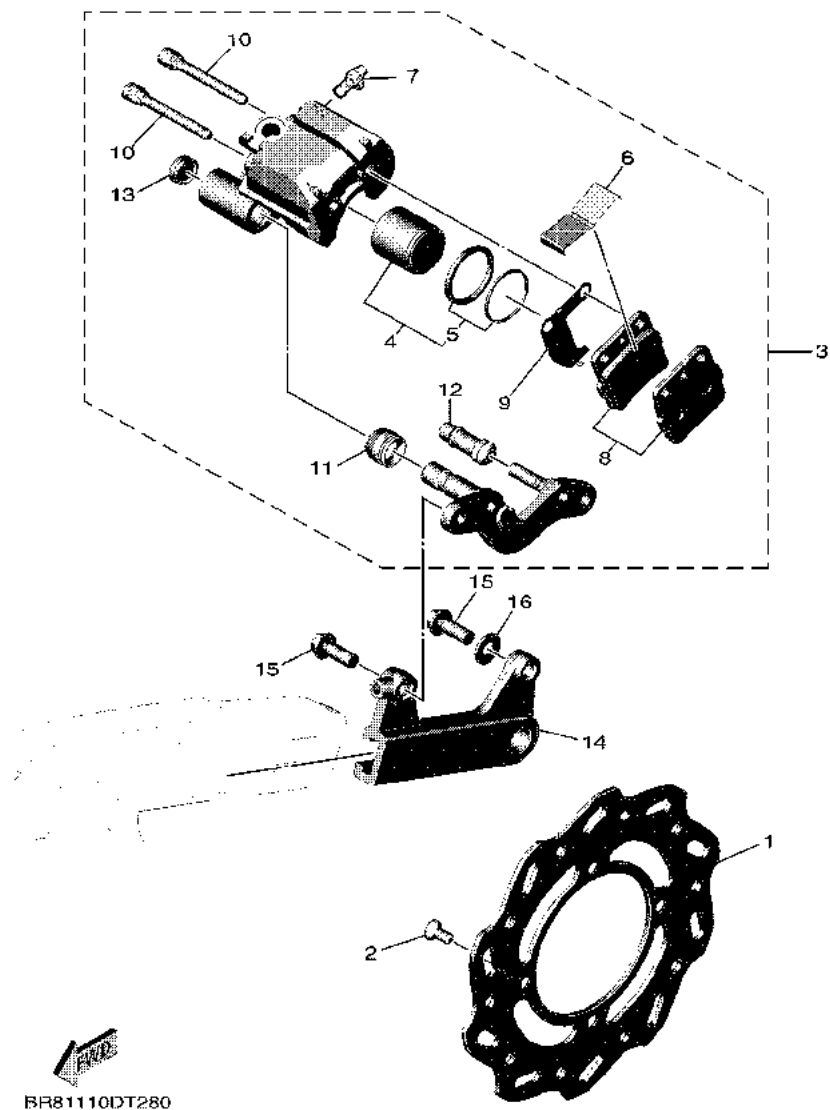
FIG. 27 REAR WHEEL



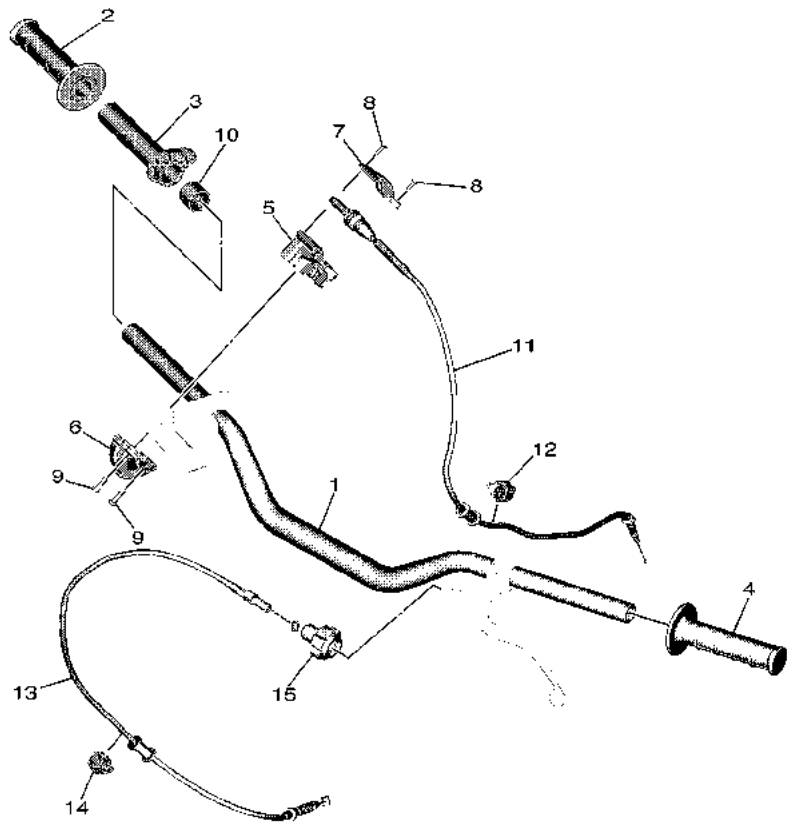
BR81110DT27N

REF. NO.	PART NO.	DESCRIPTION	BR82				REMARKS
1	4ES-25311-00	HUB, REAR	1				
2	BR8-25317-00	SPACER, BEARING	1				
3	93306-00203	BEARING	1				
4	93306-20203	BEARING	1				
5	93102-20009	OIL SEAL	2				
6	99009-35500	CIRCLIP	1				
7	94416-12005	RIM (1.60-12)	1				
8	BR8-25304-00	SPOKE SET, REAR	1				
9	5X2-25394-00	SPACER, BEAD	1				
10	90152-08001	SCREW, COUNTERSUNK	4				
11	90185-08008	NUT, SELF-LOCKING	4				
12	90201-08043	WASHER, PLATE	4				
13	BR8-25447-00	SPROCKET, DRIVEN (47T)	1				STD
	BR8-25446-00	SPROCKET, DRIVEN (46T)	1				AP
	BR8-25448-00	SPROCKET, DRIVEN (48T)	1				AP
14	BR8-25308-00	REAR TIRE SET	1				
17	BR8-25381-00	AXLE, WHEEL	1				
18	90185-14009	NUT, SELF-LOCKING	1				
19	BR8-25389-00	PULLER, CHAIN 2	2				
20	90201-14411	WASHER, PLATE	1				
21	90101-08006	BOLT	2				
22	90179-08029	NUT	2				
23	BR8-25383-00	COLLAR, WHEEL	2				
24	9Y582-48113	CHAIN (DID420D I G&B 114LL)	1				
25	94682-48001	.JOINT, CHAIN (DID420 I G&B RJ)	1				

FIG. 28 REAR BRAKE CALIPER



REF. NO.	PART NO.	DESCRIPTION	BR82				REMARKS
1	BR8-2582W-00	DISK, REAR BRAKE 2	1				
2	90151-06051	SCREW, COUNTERSUNK	4				
3	BR8-2580W-00	CALIPER ASSY, REAR 2	1				
4	4EW-W0057-50	.PISTON ASSY, CALIPER	1				
5	4ES-W0047-00	..CALIPER SEAL KIT	1				
6	1UY-25919-51	.SUPPORT, PAD	1				
7	1UY-W0048-50	.BLEED SCREW KIT	1				
8	BR8-25806-00	.BRAKE PAD KIT 2	1				
9	3GD-25827-00	.SHIM, CALIPER	1				
10	3GD-25933-00	.PIN, PAD	2				
11	1UY-25917-51	.BOOT, CALIPER	1				
12	1UY-25937-51	.BOOT 2	1				
13	3GD-25916-00	.PLUG	1				
14	4ES-25920-01	SUPPORT BRACKET ASSY	1				
15	90111-08029	BOLT,HEX. SOCKET BUTTON	2				
16	90201-08043	WASHER, PLATE	1				

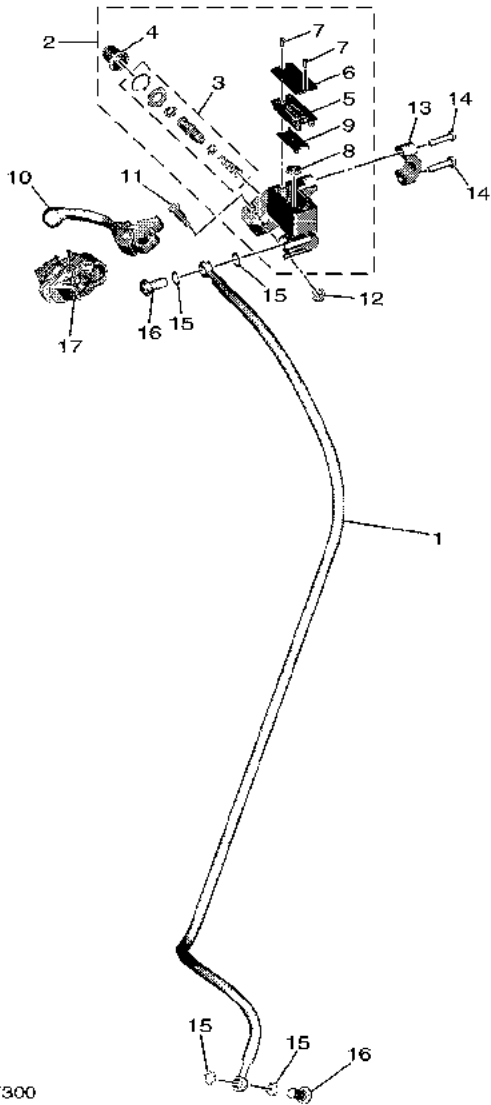


BR81110DT290

FIG. 29 STEERING HANDLE & CABLE

REF. NO.	PART NO.	DESCRIPTION	BR82				REMARKS
1	BR8-26111-00	HANDLEBAR	1				
2	4GY-26242-00	GRIP (RIGHT)	1				
3	23X-26243-01	TUBE, THROTTLE GUIDE	1				
4	4GY-26241-00	GRIP	1				
5	23X-26281-01	CAP, GRIP UPPER	1				
6	431-26282-03	CAP, GRIP UNDER	1				
7	5X2-2628H-01	CAP, WIRE	1				
8	98702-04012	SCREW, FLAT HEAD	2				
9	98502-05016	SCREW, PAN HEAD	2				
10	90387-227H7	COLLAR	1				
11	BR8-26311-00	CABLE, THROTTLE 1	1				
12	90464-12018	CLAMP	1				
13	BR8-26335-00	CABLE, CLUTCH	1				
14	90464-12018	CLAMP	1				
15	34P-26342-00	BOOT, CABLE	1				

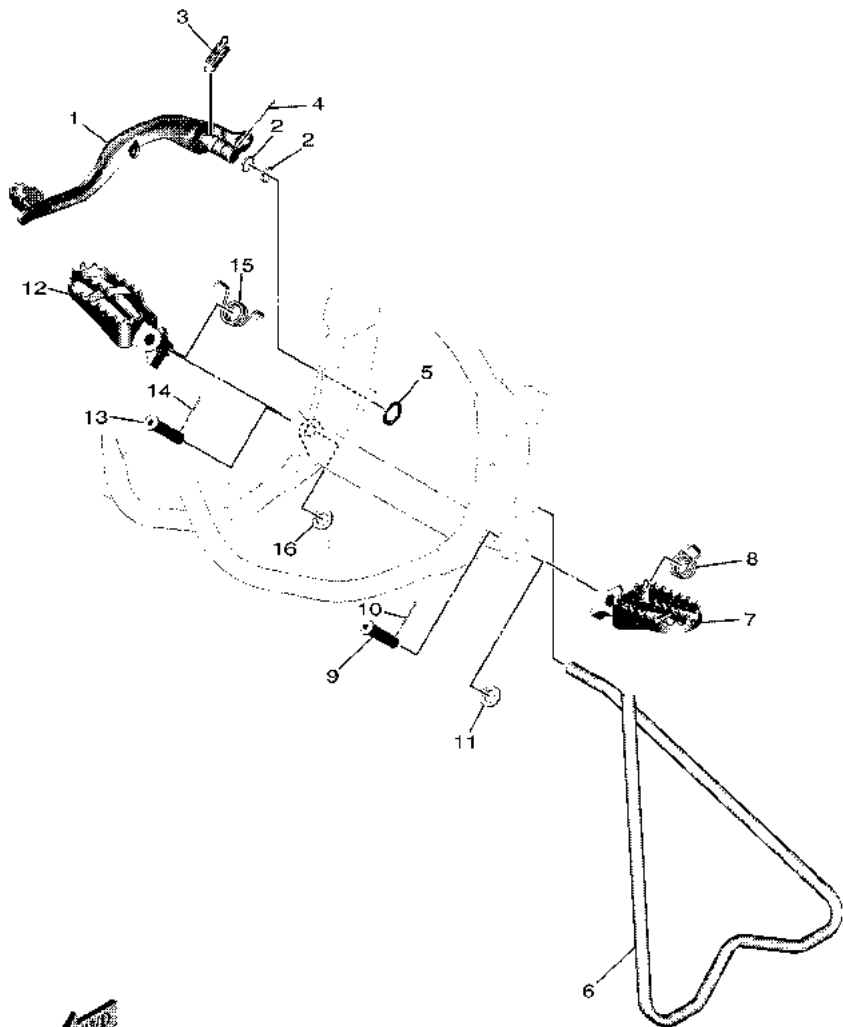
FIG. 30 FRONT MASTER CYLINDER



BR81110DT300

REF. NO.	PART NO.	DESCRIPTION	BR82				REMARKS
1	BR8-25872-00	HOSE, BRAKE 1	1				
2	5XE-W2587-00	MASTER CYLINDER SUB ASSY	1				
3	5NY-W0041-01	.CYLINDER KIT, MASTER	1				
4	5NY-25868-00	.BOOT, MASTER CYLINDER	1				
5	5XE-25854-00	.DIAPHRAGM, RESERVOIR	1				
6	5MV-25852-01	.CAP, RESERVOIR	1				
7	98706-04012	.SCREW, FLAT HEAD	2				
8	5CG-25715-00	.SEPARATOR ASSY	1				
9	5XE-25853-00	.FLOAT, RESERVOIR	1				
10	5MV-83922-00	LEVER 2	1				
11	5MV-2589F-00	BOLT, LEVER	1				
12	95701-06500	NUT, WITH WASHER	1				
13	5MV-25867-00	BRACKET, MASTER CYLINDER	1				
14	5MV-25833-00	BOLT, FITTING	2				
15	90430-10005	GASKET	4				
16	90401-10172	BOLT, UNION	2				
17	5NY-26372-00	COVER, HANDLE LEVER 1	1				

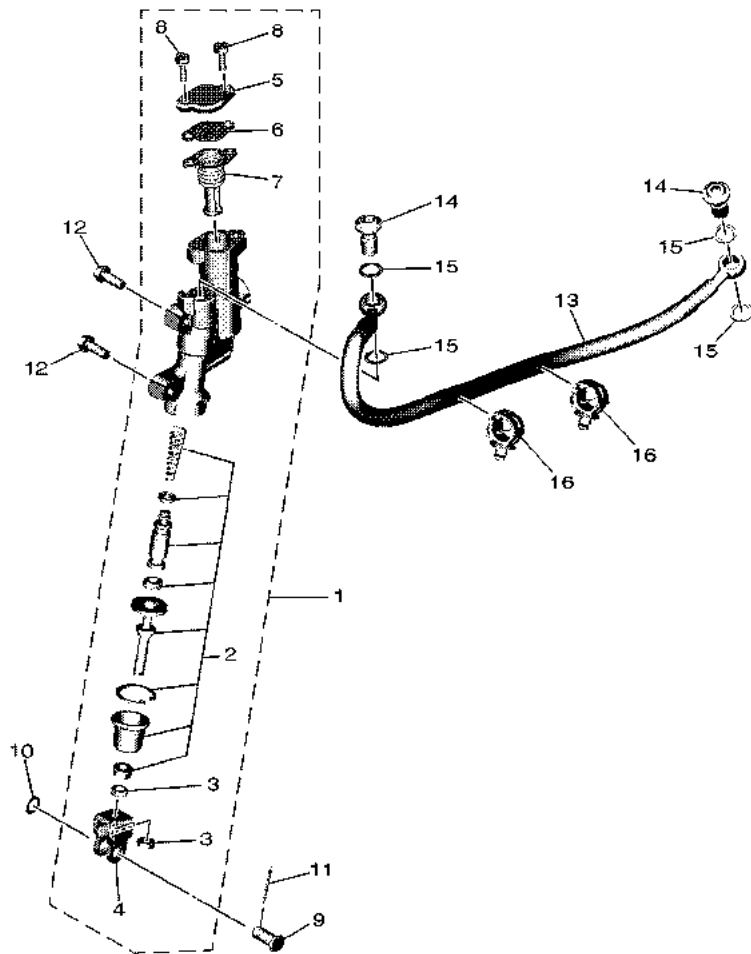
FIG. 31 STAND & FOOTREST



BR81110DT310

REF. NO.	PART NO.	DESCRIPTION	BR82				REMARKS
1	BR8-27211-00	PEDAL, BRAKE	1				
2	93210-11073	O-RING	2				
3	90506-15480	SPRING, TENSION	1				
4	91401-20025	PIN, COTTER	1				
5	90201-15701	WASHER, PLATE (T=1.0)	1				
6	BR8-27311-00	STAND, SIDE	1				
7	5ET-27411-00	FOOTREST 1	1				
8	90508-282B8	SPRING, TORSION	1				
9	90240-10004	PIN, CLEVIS	1				
10	91401-25015	PIN, COTTER	1				
11	90201-10033	WASHER, PLATE	1				
12	5ET-27421-00	FOOTREST 2	1				
13	90240-10004	PIN, CLEVIS	1				
14	91401-25015	PIN, COTTER	1				
15	90508-282B9	SPRING, TORSION	1				
16	90201-10033	WASHER, PLATE	1				

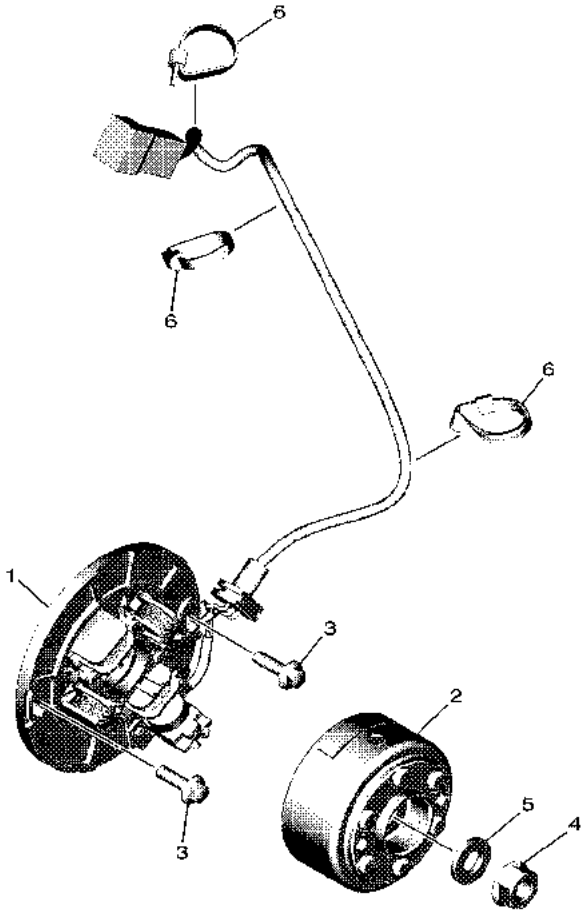
FIG. 32 REAR MASTER CYLINDER



BR81110DT320

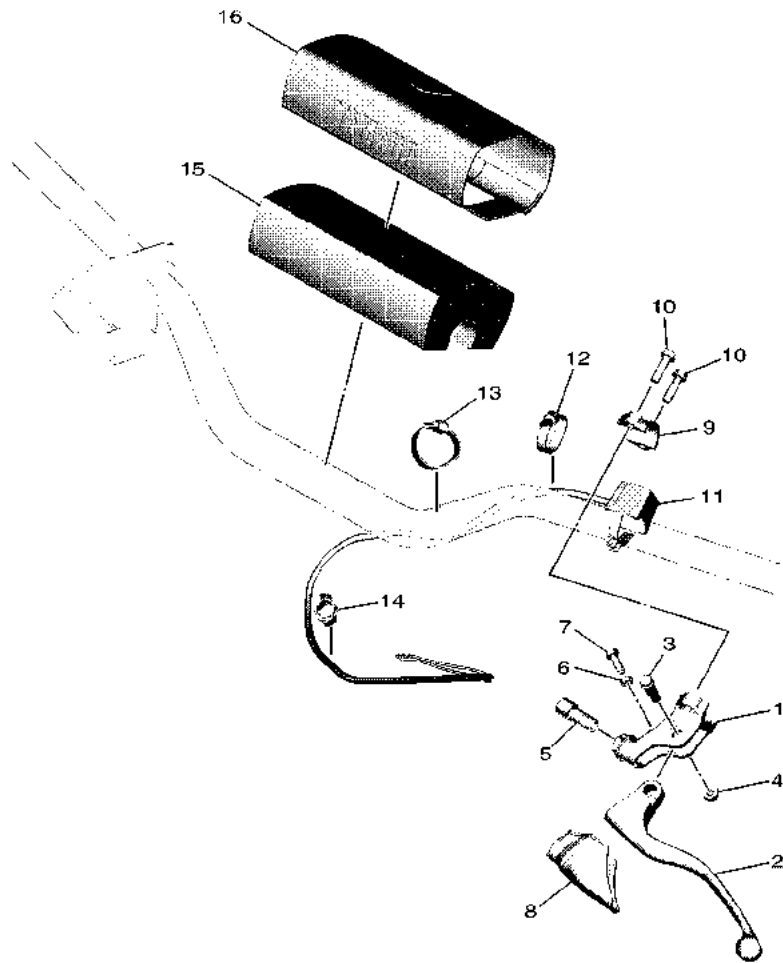
REF. NO.	PART NO.	DESCRIPTION	BR82				REMARKS
1	BR8-2583V-00	RR. MASTER CYLINDER ASSY.	1				
2	BR8-25808-00	.CYLINDER KIT, MASTER	1				
3	4SS-27218-00	.NUT	2				
4	2YK-27222-00	.JOINT	1				
5	5UN-25852-50	.CAP, RESERVOIR	1				
6	5UN-2585B-00	.PLATE, DIAPHRAGM	1				
7	5UN-25854-00	.DIAPHRAGM, RESERVOIR	1				
8	5UN-27217-00	.BOLT	2				
9	90240-08124	PIN, CLEVIS	1				
10	90201-08083	WASHER, PLATE	1				
11	91401-16012	PIN, COTTER	1				
12	90105-06090	BOLT, FLANGE	2				
13	BR8-25873-00	HOSE, BRAKE 2	1				
14	90401-10172	BOLT, UNION	2				
15	90430-10005	GASKET	4				
16	90464-12018	CLAMP	2				

FIG. 33 GENERATOR



 BR81110DT330

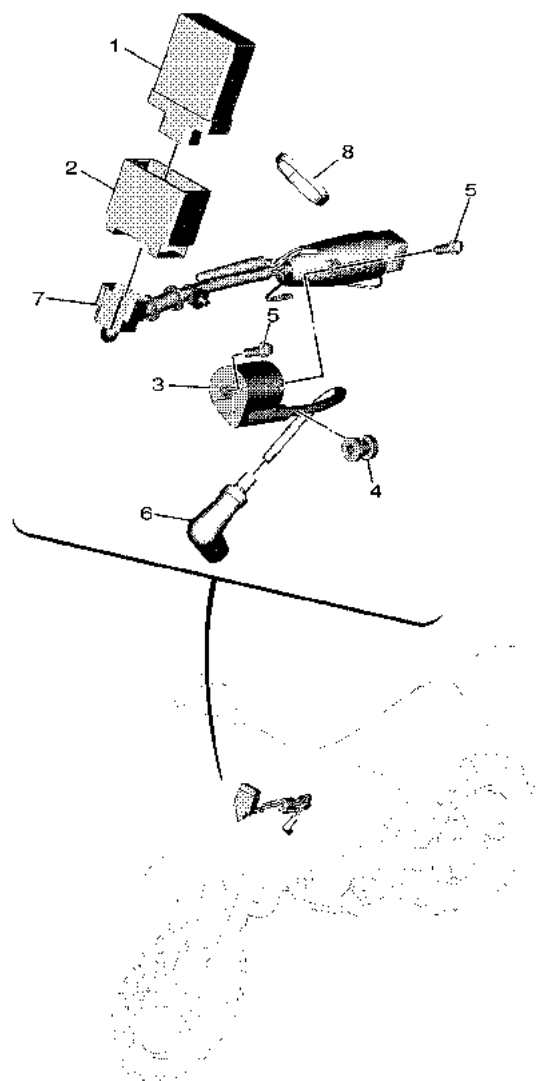
REF. NO.	PART NO.	DESCRIPTION	BR82	REMARKS
1	5PA-85560-01	BASE ASSY	1	
2	4SS-85550-11	ROTOR ASSY	1	
3	90105-06203	BOLT, FLANGE	2	
4	90179-10M35	NUT	1	
5	90201-10591	WASHER, PLATE	1	
6	90464-25004	CLAMP	3	(101.0x7.0)



BR81110DT340

FIG. 34 HANDLE SWITCH & LEVER

REF. NO.	PART NO.	DESCRIPTION	BR82	REMARKS
1	17D-82911-00	HOLDER, LEVER 1	1	
2	1SS-83912-00	LEVER 1	1	
3	90109-06034	BOLT	1	
4	5LP-84126-10	NUT, LENS FITTING	1	
5	17D-26337-00	BOLT, ADJUSTING	1	
6	95302-05600	NUT, HEXAGON	1	
7	90101-05005	BOLT	1	
8	34P-26372-00	COVER, HANDLE LEVER 1	1	
9	33D-82913-00	HOLDER, LEVER LOWER 1	1	
10	95022-06020	BOLT, FLANGE	2	
11	BR8-83976-00	SWITCH, HANDLE 1	1	
12	90464-13077	CLAMP	1	(95.0X7.0)
13	90464-13073	CLAMP	1	(125.0x7.0)
14	90464-12013	CLAMP	1	
15	5XC-26124-90	PROTECTOR, HANDLEBAR	1	
16	17D-26143-H0	COVER, HANDLE UPPER 1	1	

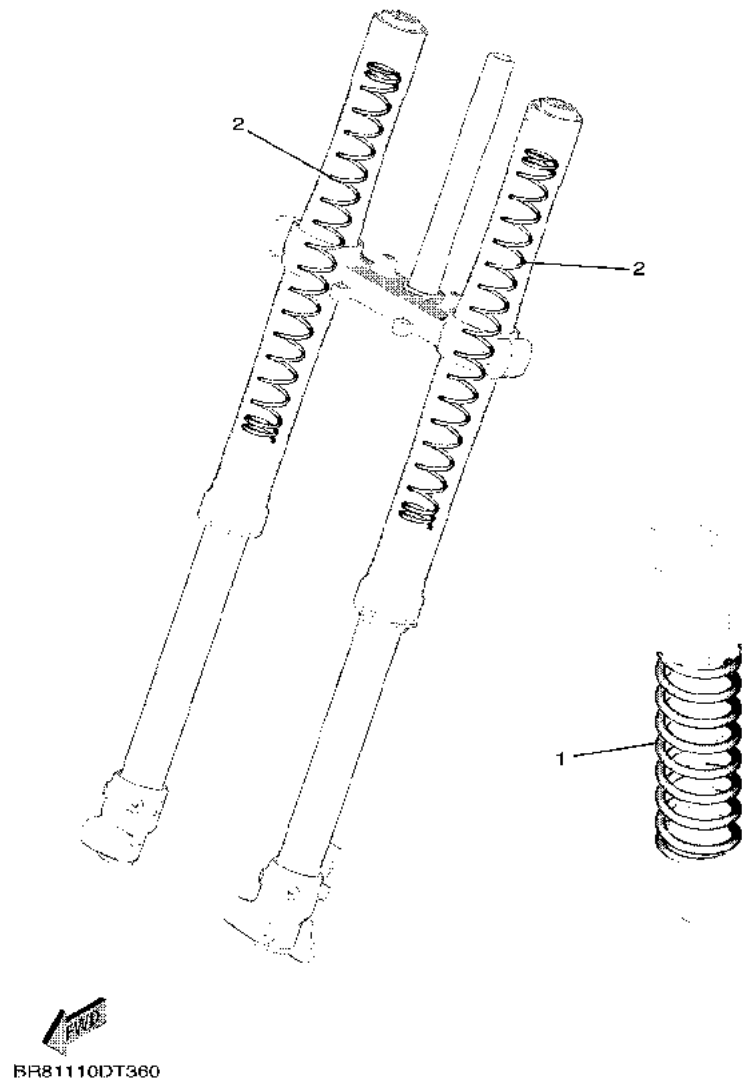


BR81110DT350

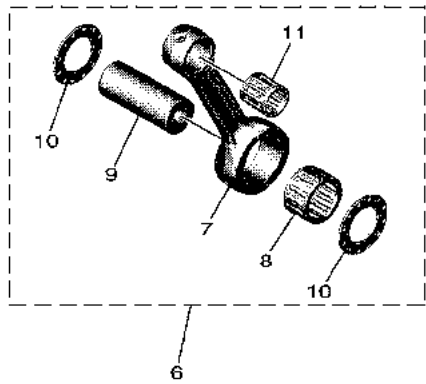
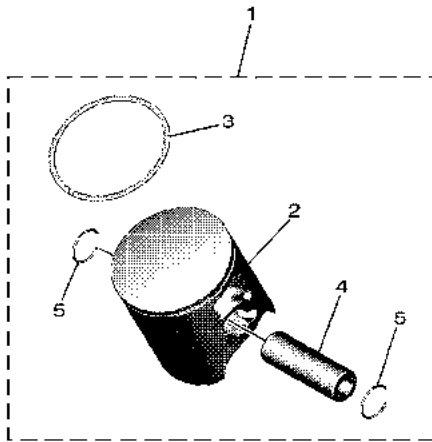
FIG. 35 ELECTRICAL 1

REF. NO.	PART NO.	DESCRIPTION	BR82	REMARKS
1	BR8-85540-00	C.D.I. UNIT ASSY	1	
2	BR8-85546-00	BAND	1	
3	4JG-82310-00	IGNITION COIL ASSY	1	
4	90480-11015	GROMMET	1	
5	90105-06180	BOLT, FLANGE	2	
6	8DG-82370-00	PLUG CAP ASSY	1	
7	BR8-82509-00	WIRE, SUB LEAD	1	
8	90464-13073	CLAMP	1	(125.0x7.0)

FIG. 36 ALTERNATE FOR CHASSIS



REF. NO.	PART NO.	DESCRIPTION	BR82				REMARKS
1	BR8-22212-10	SPRING (K=38N/MM)	1				AP
	BR8-22212-20	SPRING (K=42N/MM)	1				AP
2	BR8-23141-10	SPRING (K=2.7N/MM)	1				AP
	BR8-23141-20	SPRING (K=2.8N/MM)	1				AP
	BR8-23141-30	SPRING (K=2.9N/MM)	1				AP



BR81110DT370

FIG. 37 OPTIONAL PARTS 1

REF. NO.	PART NO.	DESCRIPTION	BR82				REMARKS
1	BR8-11630-00	PISTON ASSY (STD)	1				
2	BR8-11631-01-B0	.PISTON (STD)	1				ORANGE
3	BR8-11611-00	.RING, PISTON	1				
4	BR8-11633-00	.PIN, PISTON	1				
5	93450-13130	.CIRCLIP	2				
6	BR8-11650-00	CONNECTING ROD ASSY	1				
7	BR8-11651-00	.ROD, CONNECTING	1				
8	93310-418M6	.BEARING	1				
9	BR8-11681-00	.PIN, CRANK 1	1				
10	90209-18112	.WASHER	2				
11	93310-21283	.BEARING	1				

NUMERICAL INDEX

PART NO.	REF. NO.	PART NO.	REF. NO.	PART NO.	REF. NO.	PART NO.	REF. NO.	PART NO.	REF. NO.	PART NO.	REF. NO.
BR8-11111-00	1 - 1	BR8-12577-00	5 - 7	5PA-14916-PG	7 - 9	BR8-17241-00	13 - 15	BR8-22214-00	20 - 7	3XJ-23357-L0	22 - 14
BR8-11311-00	1 - 8	38W-13115-00	1 - 24	4MX-14919-00	7 - 10	BR8-17251-00	13 - 16	4ES-22216-00	20 - 3		22 - 32
BR8-1131D-00	1 - 15	353-13115-01	9 - 8	4MX-14919-00	7 - 23	BR8-17261-00	13 - 13	4ES-22251-00	20 - 5	5TJ-23389-80	22 - 48
BR8-1131M-00	1 - 23	BR8-13565-00	6 - 7	5HC-14934-00	7 - 24	5PA-17411-00	13 - 1	4AA-22259-40	20 - 6	1J7-23415-00	21 - 3
BR8-1131P-00	1 - 34	BR8-13610-00	6 - 1	4MX-14943-35	7 - 22	BR8-17421-00	13 - 11	1C3-22969-20	19 - 13	BR8-23435-00	21 - 5
5CU-1131U-10	1 - 16	BR8-13613-00	6 - 2	4MX-14943-36	7 - 22	164-17427-00-06	13 - 20	BR8-23102-00	22 - 1	18P-23441-00	21 - 9
BR8-1131V-00	1 - 18	4ES-13616-00	6 - 3	4MX-14943-86	7 - 22	164-17427-00-08	13 - 20	BR8-23103-00	22 - 19	BR8-23442-00	21 - 10
BR8-11351-00	1 - 10	BR8-13625-00	6 - 6	4MX-14943-87	7 - 22	164-17427-00-10	13 - 20	BR8-23110-00	22 - 21	17D-23466-00	22 - 45
BR8-11354-00	1 - 26	BR8-14101-00	7 - 1	5PA-14947-00	7 - 30	5PA-18101-00	15 - 1	BR8-23111-00	22 - 17	17D-23467-00	22 - 46
BR8-11400-00	3 - 1	5PA-14105-00	7 - 13	4MX-14948-06	7 - 8	BR8-18110-00	15 - 9		22 - 35	1SN-23485-01	21 - 15
BR8-11410-00	3 - 2	BR8-1410E-00	7 - 18	4MX-14948-07	7 - 8	5PA-1811E-00	15 - 6	BR8-23113-00	21 - 13	BR8-24110-00	23 - 1
BR8-11420-00	3 - 3	4MX-14115-00	7 - 5	5PA-1496A-00	7 - 29	5PA-18140-00	15 - 7	BR8-23120-00	22 - 3	BR8-24115-00	23 - 2
BR8-11611-00	3 - 10	5PA-14126-00	7 - 12	5PA-14984-00	7 - 4	4ES-18511-02	14 - 2	5PA-23125-00	22 - 5	BR8-24116-00	23 - 3
	37 - 3	5PA-14131-00	7 - 14	5PA-14985-00	7 - 3	5R2-18512-00	14 - 3		22 - 23	4EW-2412F-00	23 - 9
BR8-11630-00	37 - 1	3TJ-14137-40	7 - 21	BR8-15111-00	9 - 1	4ES-18513-01	14 - 4	3JD-2312G-L0	22 - 18	3HA-24141-00	16 - 17
BR8-11631-01-A0	3 - 8	5PA-14146-00	7 - 28	5PA-15118-00	9 - 10	4BA-18531-00	14 - 6		22 - 36	5PA-24181-00	23 - 25
BR8-11631-01-B0	3 - 8	5PA-14159-00	7 - 15	BR8-15121-00	9 - 2	4BA-18535-00	14 - 7	BR8-23136-00	22 - 2	5PA-24182-00	23 - 20
	37 - 2	4JT-14171-00	7 - 2	3Y1-15363-10	10 - 10	BR8-18540-00	14 - 1		22 - 20	BR8-2418B-00	23 - 26
BR8-11631-01-C0	3 - 8	5PA-14194-00	7 - 25	4ES-15411-02	10 - 1	BR8-21101-00	16 - 1	BR8-23141-00	22 - 15	BR8-24311-00	23 - 22
BR8-11631-01-D0	3 - 8	4XL-14197-10	7 - 19	5PA-15415-11	10 - 12	BR8-21190-00	16 - 2		22 - 33	4DP-24500-10	23 - 13
BR8-11633-00	3 - 9	5PA-14340-00	7 - 11	BR8-15431-00	10 - 4	BR8-21268-00	22 - 40	BR8-23141-10	36 - 2	4X8-24512-10	23 - 16
	37 - 4	5PA-14392-00	7 - 7	5PA-15451-00	10 - 3	BR8-21511-00	17 - 1	BR8-23141-20	36 - 2	3AC-24523-00	23 - 17
BR8-11650-00	37 - 6	BR8-14401-00	6 - 11	BR8-15461-00	10 - 5	BR8-21611-00	17 - 6	BR8-23141-30	36 - 2	3AJ-24534-10	23 - 14
BR8-11651-00	3 - 4	BR8-14417-00	6 - 14	5PA-15463-00	10 - 13	BR8-2162R-00	17 - 9	BR8-23142-00	22 - 13	2FJ-24610-10	23 - 11
	37 - 7	BR8-1441A-00	6 - 12	BR8-15620-00	11 - 11	5XE-21635-10	17 - 8		22 - 31	BR8-2470F-00	24 - 2
BR8-11681-00	3 - 6	BR8-1441E-00	6 - 13	BR8-15621-00	11 - 12	17D-21642-00	17 - 17	4ES-23144-00	22 - 9	BR8-24710-00	24 - 1
	37 - 9	BR8-14442-00	6 - 20	5PA-15641-00	11 - 2	BR8-21710-00	18 - 1		22 - 27	BR8-25104-00	25 - 6
4SS-11832-00	1 - 19	17D-14449-00	18 - 13	5PA-15651-00	11 - 8	BR8-21720-00	18 - 6	4ES-23145-00	22 - 7	4ES-25111-01	25 - 1
5CU-11911-00	2 - 15		18 - 20	5PA-15660-00	11 - 1	BR8-2172A-00	18 - 19		22 - 25	BR8-25117-00	25 - 2
5CU-11912-00	2 - 14		18 - 23	4ES-15664-00	11 - 6	BR8-21730-00	18 - 11	5K5-23149-00	22 - 6	BR8-25183-00	25 - 14
4JY-11915-10	11 - 18	BR8-14451-00	6 - 22	BR8-16111-00	12 - 1	BR8-21740-00	18 - 21		22 - 24	BR8-25304-00	27 - 8
5X4-11921-02	2 - 7	BR8-14453-00	6 - 17	5PA-16150-10	12 - 4	BR8-2174X-00	18 - 15	5PA-23149-00	22 - 16	4ES-25311-00	27 - 1
3JE-11922-01	2 - 5	BR8-14455-00	6 - 19	5PA-16181-00	12 - 21	5FK-2175C-30	17 - 19		22 - 34	BR8-25317-00	27 - 2
5CU-11952-00	2 - 10	BR8-14458-00	6 - 21	21V-16321-00	12 - 10	BR8-217R0-A0	18 - 11	BR8-2314H-00	22 - 42	BR8-25381-00	27 - 17
BR8-11953-00	2 - 8	BR8-14459-00	6 - 18	4ES-16321-00	12 - 9	BR8-217S0-A0	18 - 21	BR8-2314J-00	22 - 43	BR8-25383-00	27 - 23
BR8-11990-00	2 - 4	676-14548-00	7 - 20	131-16324-00	12 - 8	BR8-22110-00	19 - 1	4A1-23156-00	22 - 8	BR8-25389-00	27 - 19
BR8-11991-00	1 - 29	4MX-14561-00	7 - 6	BR8-16351-00	12 - 7	BR8-22141-00	19 - 3		22 - 26	5X2-25394-00	27 - 9
BR8-11993-00	1 - 30	BR8-14610-00	8 - 1	4ES-16356-00	12 - 15	BR8-22151-00	19 - 12	2HH-23158-L0	22 - 12	BR8-25446-00	27 - 13
BR8-11995-00	1 - 33	17W-14615-00	8 - 5	5PA-16357-00	12 - 16	30X-22178-00	16 - 9		22 - 30	BR8-25447-00	27 - 13
BR8-1240A-00	5 - 1	BR8-14642-00	8 - 2	BR8-16371-00	12 - 6	4ES-22178-01	16 - 14	BR8-2316A-00	22 - 11	BR8-25448-00	27 - 13
BR8-12422-00	4 - 9	BR8-1469A-00	8 - 13	4ES-16381-00	12 - 20	4V4-22184-00	16 - 10		22 - 29	5CG-25715-00	30 - 8
BR8-12428-00	4 - 10	BR8-14753-00	8 - 12	4ES-17121-01	13 - 5	BR8-22199-00	19 - 14	BR8-23170-00	22 - 10	BR8-25806-00	28 - 8
5PA-12451-00	4 - 4	565-14771-00	8 - 3	BR8-17131-00	13 - 3	BR8-22200-10	20 - 1		22 - 28	BR8-25808-00	32 - 2
5PA-12459-00	4 - 1	5PA-14916-HE	7 - 9	BR8-17151-00	13 - 2	BR8-22201-10	20 - 2	5PA-23171-00	22 - 4	5PA-2580T-00	26 - 3
5SL-12462-00	5 - 2	5PA-14916-HF	7 - 9	BR8-17161-00	13 - 4	BR8-22212-00	20 - 8		22 - 22	BR8-2580W-00	28 - 3
BR8-12463-00	5 - 3	5PA-14916-HG	7 - 9	BR8-17211-00	13 - 17	BR8-22212-10	36 - 1	BR8-2331E-00	22 - 39	3GD-25827-00	28 - 9
BR8-12481-00	4 - 15	5PA-14916-PE	7 - 9	1SN-17221-00	13 - 12	BR8-22212-20	36 - 1	BR8-23340-00	22 - 37	BR8-2582T-00	26 - 1
BR8-12576-00	5 - 5	5PA-14916-PF	7 - 9	4ES-17231-20	13 - 14	4ES-22214-00	20 - 4	5PA-23346-00	22 - 38	BR8-2582W-00	28 - 1

NUMERICAL INDEX

PART NO.	REF. NO.	PART NO.	REF. NO.	PART NO.	REF. NO.	PART NO.	REF. NO.	PART NO.	REF. NO.	PART NO.	REF. NO.
5MV-25833-00	30 - 14	5PG-2816R-00	18 - 26	90105-10390	20 - 9	90201-06060	13 - 9	90385-17042	19 - 6	90464-12018	32 - 16
BR8-2583V-00	32 - 1	4JG-82310-00	35 - 3	90105-12120	25 - 11	90201-06077	17 - 5	90387-05065	22 - 50	90464-13073	34 - 13
5MV-25852-01	30 - 6	8DG-82370-00	35 - 6	90105-12120	1 - 17	90201-06086	8 - 8	90387-06065	5 - 11		35 - 8
5UN-25852-50	32 - 5	BR8-82509-00	35 - 7	90109-06034	34 - 3	90201-066F0	1 - 6	90387-06091	23 - 6	90464-13077	34 - 12
5XE-25853-00	30 - 9	17D-82911-00	34 - 1	90109-06232	22 - 44	90201-08043	27 - 12	90387-06168	8 - 17	90464-25004	1 - 35
5UN-25854-00	32 - 7	33D-82913-00	34 - 9		22 - 47		28 - 16	90387-06207	19 - 15		5 - 12
5XE-25854-00	30 - 5	1SS-83912-00	34 - 2	90109-06326	23 - 8	90201-08045	16 - 11	90387-06259	17 - 2		33 - 6
5UN-2585B-00	32 - 6	5MV-83922-00	30 - 10	90110-05034	22 - 49	90201-08083	32 - 10	90387-06307	18 - 2	90464-65001	23 - 21
5MV-25867-00	30 - 13	BR8-83976-00	34 - 11	90110-06182	13 - 10	90201-08512	4 - 2		18 - 7		23 - 27
5NY-25868-00	30 - 4	5LP-84126-10	34 - 4	90111-05052	11 - 19		4 - 5	90387-06372	18 - 12	90467-08002	5 - 4
BR8-25872-00	30 - 1	BR8-85540-00	35 - 1	90111-08029	28 - 15	90201-10033	31 - 11		18 - 22	90467-09002	23 - 24
BR8-25873-00	32 - 13	BR8-85546-00	35 - 2	90116-08028	1 - 12		31 - 16	90387-064T3	16 - 16	90467-10008	23 - 23
5MV-2589F-00	30 - 11	4SS-85550-11	33 - 2	90116-08031	1 - 11	90201-10045	16 - 7	90387-064X4	17 - 10	90468-23194	11 - 3
34X-25914-00	26 - 13	5PA-85560-01	33 - 1	90119-05001	12 - 12		20 - 11	90387-07027	17 - 12	90480-08608	25 - 7
3GD-25916-00	28 - 13	5NY-W0041-01	30 - 3	90119-06133	8 - 4		21 - 11	90387-07045	17 - 11	90480-11015	35 - 4
1UY-25917-51	28 - 11	5PA-W0045-00	26 - 11		8 - 11	90201-10591	33 - 5		18 - 3	90480-14604	24 - 3
56A-25919-00	26 - 9	4ES-W0047-00	28 - 5		18 - 18	90201-12032	19 - 5		18 - 8	90480-15528	5 - 10
56A-25919-10	26 - 10	4ES-W0047-10	26 - 5		18 - 25	90201-12055	25 - 13	90387-07391	24 - 4	90480-16561	8 - 16
1UY-25919-51	28 - 6	51L-W0048-00	26 - 8	90119-06149	17 - 15	90201-124F8	11 - 9	90387-08041	16 - 12	90480-18411	8 - 6
4ES-25920-01	28 - 14	1UY-W0048-50	28 - 7		18 - 5	90201-14411	27 - 20	90387-08086	17 - 7	90480-18549	23 - 5
56A-25926-00	26 - 12	4ES-W0057-10	26 - 4		18 - 10	90201-154F5	2 - 11	90387-080K6	2 - 21	90501-12081	11 - 13
3GD-25933-00	28 - 10	4EW-W0057-50	28 - 4	90119-06200	16 - 15	90201-15701	31 - 5	90387-085E1	2 - 3	90501-204A0	12 - 11
56A-25937-00	26 - 7	5XE-W2587-00	30 - 2	90119-06262	5 - 9	90201-171G6	12 - 22	90387-09002	19 - 16	90501-26001	2 - 9
5R2-25937-00	26 - 6	90101-05005	34 - 7		23 - 7	90201-17545	13 - 8	90387-105L0	8 - 7	90506-15480	31 - 3
1UY-25937-51	28 - 12	90101-08006	27 - 21	90122-06005	6 - 24	90201-17558	12 - 5	90387-1200U	19 - 10	90506-20018	8 - 10
BR8-26111-00	29 - 1	90105-05014	2 - 1	90149-06108	23 - 19	90201-176L4	11 - 4	90387-127J7	19 - 9	90508-14016	12 - 23
5XC-26124-90	34 - 15	90105-06064	18 - 16	90151-06024	26 - 2	90201-177G4	15 - 5	90387-127J8	19 - 8	90508-155B8	1 - 20
17D-26143-H0	34 - 16		18 - 24	90151-06051	28 - 2	90201-20611	13 - 22	90387-152F2	2 - 12	90508-24007	15 - 3
4GY-26241-00	29 - 4		21 - 16	90152-08001	27 - 10	90201-220T0	21 - 6	90387-202A0	13 - 29	90508-26750	11 - 5
4GY-26242-00	29 - 2	90105-06090	32 - 12	90179-08019	1 - 14	90201-256K5	21 - 2	90387-227H7	29 - 10	90508-282B8	31 - 8
23X-26243-01	29 - 3	90105-06127	17 - 4	90179-08029	27 - 22	90202-05193	23 - 18	90401-10172	30 - 16	90508-282B9	31 - 15
23X-26281-01	29 - 5	90105-06170	17 - 16	90179-10024	16 - 8	90208-12015	12 - 2		32 - 14	90508-32016	15 - 2
431-26282-03	29 - 6		18 - 4		20 - 10		12 - 13	90430-06166	4 - 11	91312-04008	1 - 21
5X2-2628H-01	29 - 7		18 - 9	90179-10M35	33 - 4	90209-06096	6 - 23	90430-08119	10 - 9		2 - 6
BR8-26311-00	29 - 11		23 - 4	90179-12007	12 - 3	90209-14008	13 - 7	90430-10005	30 - 15	91342-06040	9 - 4
BR8-26335-00	29 - 13	90105-06180	35 - 5		12 - 14	90209-16209	13 - 18		32 - 15	91342-06050	9 - 5
17D-26337-00	34 - 5	90105-06195	1 - 5	90179-16016	13 - 31	90209-18112	3 - 7	90445-08376	1 - 25	91342-06060	9 - 6
34P-26342-00	29 - 15	90105-06203	18 - 17	90179-22025	21 - 7		37 - 10		9 - 9	91342-06070	9 - 7
34P-26372-00	34 - 8		24 - 5	90179-25004	21 - 4	90215-20261	13 - 30	90445-09004	23 - 12	91401-16012	32 - 11
5NY-26372-00	30 - 17		33 - 3	90183-06069	18 - 14	90240-08124	32 - 9	90450-22017	5 - 6	91401-20025	31 - 4
BR8-27211-00	31 - 1	90105-06210	17 - 3	90185-08008	27 - 11	90240-10004	31 - 9		5 - 8	91401-25015	31 - 10
5UN-27217-00	32 - 8	90105-08126	9 - 11	90185-12010	25 - 12		31 - 13	90450-43002	6 - 9		31 - 14
4SS-27218-00	32 - 3	90105-08137	26 - 14	90185-14009	27 - 18	90250-06013	14 - 5	90450-56004	6 - 10	92017-06010	8 - 14
2YK-27222-00	32 - 4	90105-08154	21 - 14	90201-03313	6 - 16	90267-32196	6 - 15	90461-10136	9 - 12	92902-03100	6 - 5
BR8-27311-00	31 - 6	90105-08231	16 - 4	90201-04030	17 - 14	90267-40019	17 - 13	90464-07M05	6 - 26	92902-05600	1 - 28
5ET-27411-00	31 - 7	90105-08307	16 - 3	90201-05021	2 - 2	90280-03045	3 - 13	90464-12013	34 - 14		1 - 32
5ET-27421-00	31 - 12	90105-10148	16 - 5	90201-06050	8 - 15	90336-06031	11 - 16	90464-12018	29 - 12	92903-04600	7 - 17
1RH-28166-00	25 - 15	90105-10174	16 - 6	90201-06060	11 - 21	90338-10150	19 - 2		29 - 14		7 - 27

NUMERICAL INDEX

PART NO.	REF. NO.	PART NO.	REF. NO.	PART NO.	REF. NO.	PART NO.	REF. NO.	PART NO.	REF. NO.	PART NO.	REF. NO.
93101-12173	15 - 8	93602-16M10	1 - 22	98702-04012	29 - 8						
93102-12106	4 - 7	93603-14240	2 - 17	98702-06025	23 - 10						
93102-12224	12 - 19	93603-16219	11 - 17	98702-06025	30 - 7						
93102-17263	11 - 7	93604-08071	1 - 7	99009-10400	14 - 8						
93102-20009	27 - 5	9381A-14243	13 - 28	99009-12400	11 - 10						
93102-20485	3 - 16	94106-14008	25 - 8	99009-17400	15 - 4						
93102-22087	25 - 4	94108-12019	27 - 14	99009-35500	27 - 6						
93102-26042	13 - 27	94206-14003	25 - 9	99530-08016	10 - 14						
93104-08040	1 - 9	94208-12003	27 - 15	99530-10014	9 - 3						
	2 - 20	94306-14035	25 - 10		10 - 6						
93109-11073	4 - 6	94308-12035	27 - 16	99590-10114	1 - 13						
93109-17071	19 - 11	94416-12005	27 - 7	9Y582-48113	27 - 24						
93210-11073	31 - 2	94416-14007	25 - 5								
93210-12152	11 - 15	94682-48001	27 - 25								
93210-132A7	4 - 16	94702-00357	1 - 2								
93210-19123	10 - 11	95022-06020	34 - 10								
93210-50582	1 - 3	95302-05600	34 - 6								
93210-76MF8	1 - 4	95602-08200	19 - 18								
93300-60801	2 - 18	95602-10200	21 - 12								
	2 - 19	95612-12100	19 - 4								
93306-00105	4 - 8	95701-06500	30 - 12								
93306-00203	27 - 3	95814-06020	15 - 10								
93306-20103	25 - 3	95D02-06016	19 - 19								
93306-20203	27 - 4	95E32-06012	6 - 25								
93306-20333	13 - 23		11 - 20								
93306-20401	13 - 26	95E32-06016	4 - 17								
93306-20438	3 - 14		6 - 8								
93306-30421	3 - 15	95E32-06025	4 - 14								
93310-21283	3 - 12		8 - 9								
	37 - 11		8 - 18								
93310-418M6	3 - 5		10 - 15								
	37 - 8	95E32-06030	10 - 7								
93315-11206	12 - 18	95E32-06035	10 - 16								
93315-31502	13 - 25	95E32-06060	4 - 13								
93317-11245	13 - 24	95E32-06070	4 - 12								
93317-21746	19 - 7	95E32-08040	16 - 13								
93332-00079	21 - 1		21 - 8								
	22 - 41	95E32-08055	19 - 17								
93340-21505	2 - 13	95E32-08080	10 - 8								
93410-20038	13 - 19	97002-05016	1 - 27								
93440-07182	4 - 3	97002-05020	1 - 31								
93440-15012	13 - 21	97702-60016	17 - 18								
93440-17064	13 - 6	98502-03006	6 - 4								
93450-13130	3 - 11	98502-05016	29 - 9								
	37 - 5	98502-06030	10 - 2								
93503-16003	12 - 17	98504-04012	7 - 26								
93507-16020	2 - 16	98504-04014	7 - 16								
93507-32009	11 - 14	98507-03008	23 - 15								