



PARTS CATALOGUE

YZ450FF (1SL5) CANADA

YZ450F (1SL6) EUROPE

YZ450F (1SL7) JAPAN

YZ450FF (1SL8) OCEANIA, SOUTH AFRICA

YZ450FF/YZ450F
PARTS CATALOGUE
©2014 by Yamaha Motor Co., Ltd.
1st edition, May 2014
All rights reserved.
Any reprinting or unauthorized use
without the written permission of
Yamaha Motor Co., Ltd.
is expressly prohibited.
Printed in Japan.

FOREWORD

This Parts Catalogue is related to the parts for the model(s) on the cover page. When you are ordering replacement parts, please refer to this Parts Catalogue and quote both part numbers and part names correctly.

1. Modifications or additions which have been made after the issue of the Parts Catalogue will be announced in the Parts News.

It is advisable that you make the necessary corrections to the Parts Catalogue according to the Parts News.

2. Abbreviations

The following abbreviations are used in this Parts Catalogue.

“UR” Use specified parts number.

“UN” Use as many as needed.

“AP” Alternate Parts

“LM” Locally Made (Parts need to be ordered locally)

“F#” Frame No. (Applicable machine No.)

“O/S” Over Size

3. The number of components for assembly

- Parts, which are to be supplied in an assembly, are listed with a dot (.) in front of the part name as shown below.
- The numeral appearing to the right of each component part indicates the quantity of parts for each assembly unit.

PART NO.	DESCRIPTION	Q'TY	REMARKS
2F5-83310-60	FRONT FLASHER LIGHT ASSY	2	
115-83311-60	.BULB (6V-18W)	1	

4. Applicable colours of graphics are represented in the “REMARKS” as shown below.

PART NO.	DESCRIPTION	Q'TY	REMARKS
2N4-24110-00-X5	FUEL TANK COMP.	2	MXR
3J1-24240-10	.GRAPHIC, FUEL TANK	1	FOR MXR

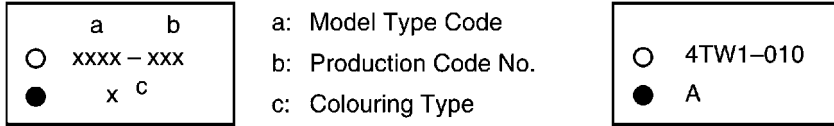
5. Note that the illustrations for reference in finding parts numbers are not to be used for assembling. When assembling, please use the applicable service manual.

6. The asterisk (*) before a reference number indicates modified items after the first edition.

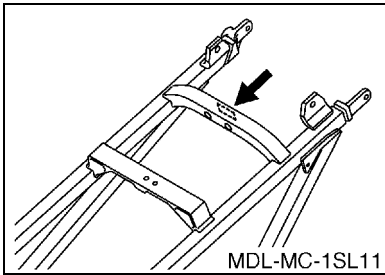
MODEL LABEL

(1) A label called "Model Label" is affixed in the location as indicated in (3) below. When using this parts catalogue, please be sure to cross-reference the "model code – production code No." in the catalogue with the "model code – production code No." indicated on the Model Label affixed onto the product concerned.

(2) "Model Label" Indication



(3) Model Label Affixing Location



(4) Colouring Information

Model Code	Colouring Type Code	Colour Code	Colour Name	Abbreviation
1SL5	A	0583	DEEP PURPLISH BLUE SOLID E	DPBSE
	B	0206	PURPLISH WHITE SOLID 1	PWS1
1SL6	A	0583	DEEP PURPLISH BLUE SOLID E	DPBSE
1SL7	A	0583	DEEP PURPLISH BLUE SOLID E	DPBSE
1SL8	A	0583	DEEP PURPLISH BLUE SOLID E	DPBSE
	B	0206	PURPLISH WHITE SOLID 1	PWS1

(5) Model Code – Production Code Number of Model Listed in This Parts Catalogue

Model Code	Production Code No.	Country (destination)	Model Code	Production Code No.	Country (destination)
1SL5	020	CANADA	1SL8	010	AUSTRALIA
1SL6	010	AUSTRIA			NEW ZEALAND
		BELGIUM			SOUTH AFRICA
		CYPRUS			
		CZECHO			
		DENMARK			
		FINLAND			
		FRANCE			
		GERMANY			
		GREECE			
		HUNGARY			
		IRELAND			
		ITALY			
		NETHERLANDS			
		NORWAY			
		POLAND			
		PORTUGAL			
		SLOVAK			
SLOVENIA					
SPAIN					
SWEDEN					
SWITZERLAND					
TURKEY					
UNITED KINGDOM					
1SL7	010	JAPAN			

CONTENTS

ENGINE

CYLINDER	1
CRANKSHAFT & PISTON	3
VALVE	4
CAMSHAFT & CHAIN	6
WATER PUMP	7
RADIATOR & HOSE	8
OIL PUMP	9
OIL CLEANER	10
INTAKE	11
INTAKE 2	13
EXHAUST	14
CRANKCASE	16
CRANKCASE COVER 1	18
STARTER	19
CLUTCH	20
TRANSMISSION	21
SHIFT CAM & FORK	23
SHIFT SHAFT	24

CHASSIS

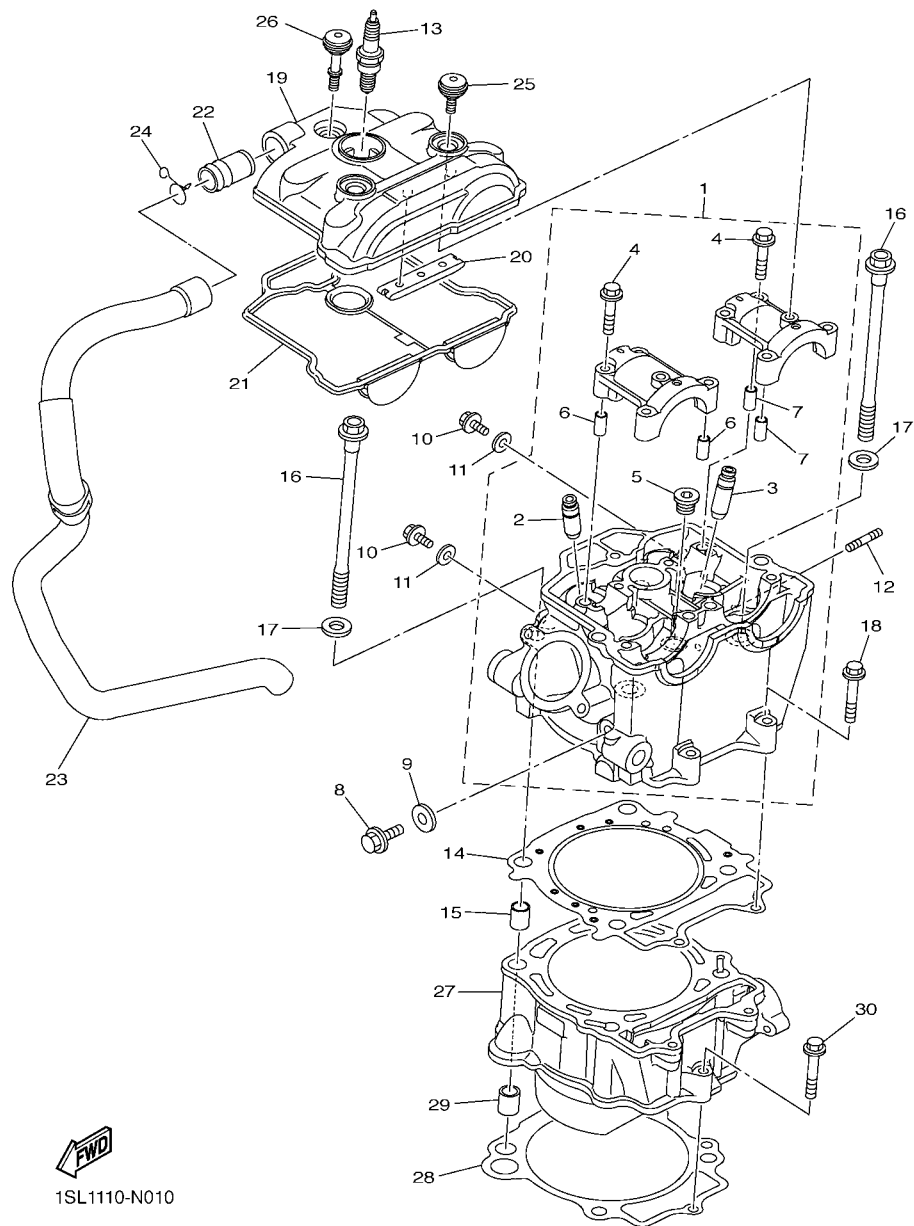
FRAME	25
FENDER	27
SIDE COVER	28
REAR ARM	30
REAR SUSPENSION	32
STEERING	34
FRONT FORK	35
FUEL TANK	38
SEAT	39
FRONT WHEEL	40
FRONT BRAKE CALIPER	41
REAR WHEEL	42
REAR BRAKE CALIPER	44
STEERING HANDLE & CABLE	45
FRONT MASTER CYLINDER	46
STAND & FOOTREST	47
REAR MASTER CYLINDER	48
GENERATOR	49
HANDLE SWITCH & LEVER	50
ELECTRICAL 1	51
ALTERNATE FOR CHASSIS	53

INDEX

NUMERICAL INDEX	54
-----------------------	----

FIG. 1 CYLINDER

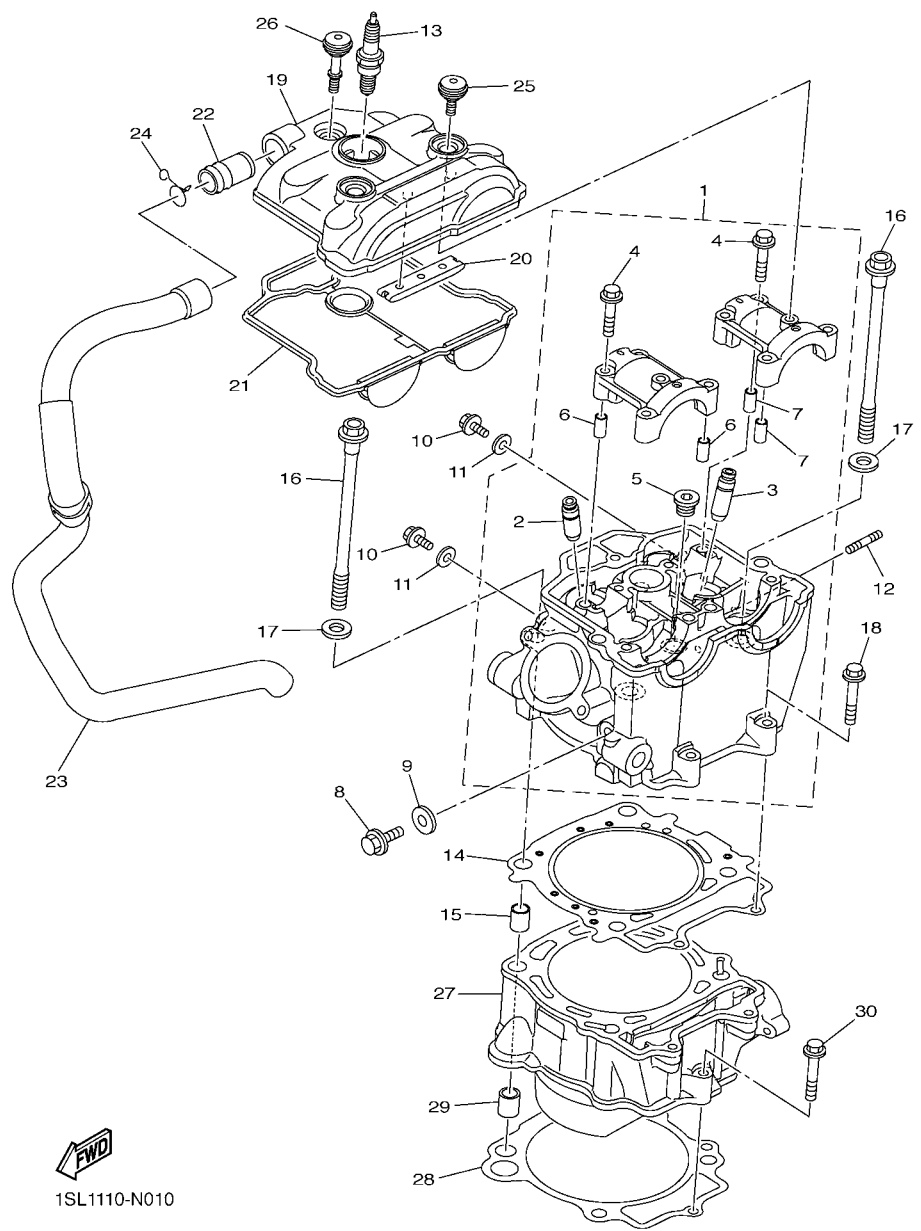
REF. NO.	PART NO.	DESCRIPTION	1SL5	1SL6	1SL7	1SL8	REMARKS
1	1SL-11102-00	CYLINDER HEAD ASSY	1	1	1	1	
2	5PS-11133-10	.GUIDE, VALVE 1	2	2	2	2	
3	5PS-11134-10	.GUIDE, VALVE 2	2	2	2	2	
4	90105-06027	.BOLT, FLANGE	8	8	8	8	
5	90340-12007	.PLUG, STRAIGHT SCREW	1	1	1	1	
6	91808-16023	.PIN, DOWEL	2	2	2	2	
7	91808-16023	.PIN, DOWEL	2	2	2	2	
8	95022-08012	BOLT, FLANGE	1	1	1	1	
9	90430-08119	GASKET	1	1	1	1	
10	95022-06010	BOLT, FLANGE	2	2	2	2	
11	90430-06014	GASKET	2	2	2	2	
12	90116-06037	BOLT, STUD	3	3	3	3	
13	94701-00411	PLUG, SPARK (NGK R CR8E)	1	1		1	STD
	94703-00411	PLUG, SPARK (NGK R CR8E)			1		STD
	94701-00410	PLUG, SPARK (NGK R CR9E)	1	1		1	AP
	94703-00410	PLUG, SPARK (NGK R CR9E)			1		AP
14	33D-11181-00	GASKET, CYLINDER HEAD 1	1	1	1	1	
15	93612-16254	PIN, DOWEL	2	2	2	2	
16	90105-10367	BOLT, FLANGE	4	4	4	4	
17	90201-10025	WASHER, PLATE	4	4	4	4	
18	95022-06035	BOLT, FLANGE	2	2	2	2	
19	33D-11190-29	COVER, CYLINDER HEAD 1	1	1	1	1	
20	5BE-12241-00	GUIDE, STOPPER 2	1	1	1	1	
21	33D-11193-01	GASKET, HEAD COVER 1	1	1	1	1	
22	341-11167-00	PIPE, BREATHER 2	1	1	1	1	
23	1SL-11166-00	PIPE, BREATHER 1	1	1	1	1	
24	90467-20030	CLIP	1	1	1	1	



1SL1110-N010

FIG. 1 CYLINDER

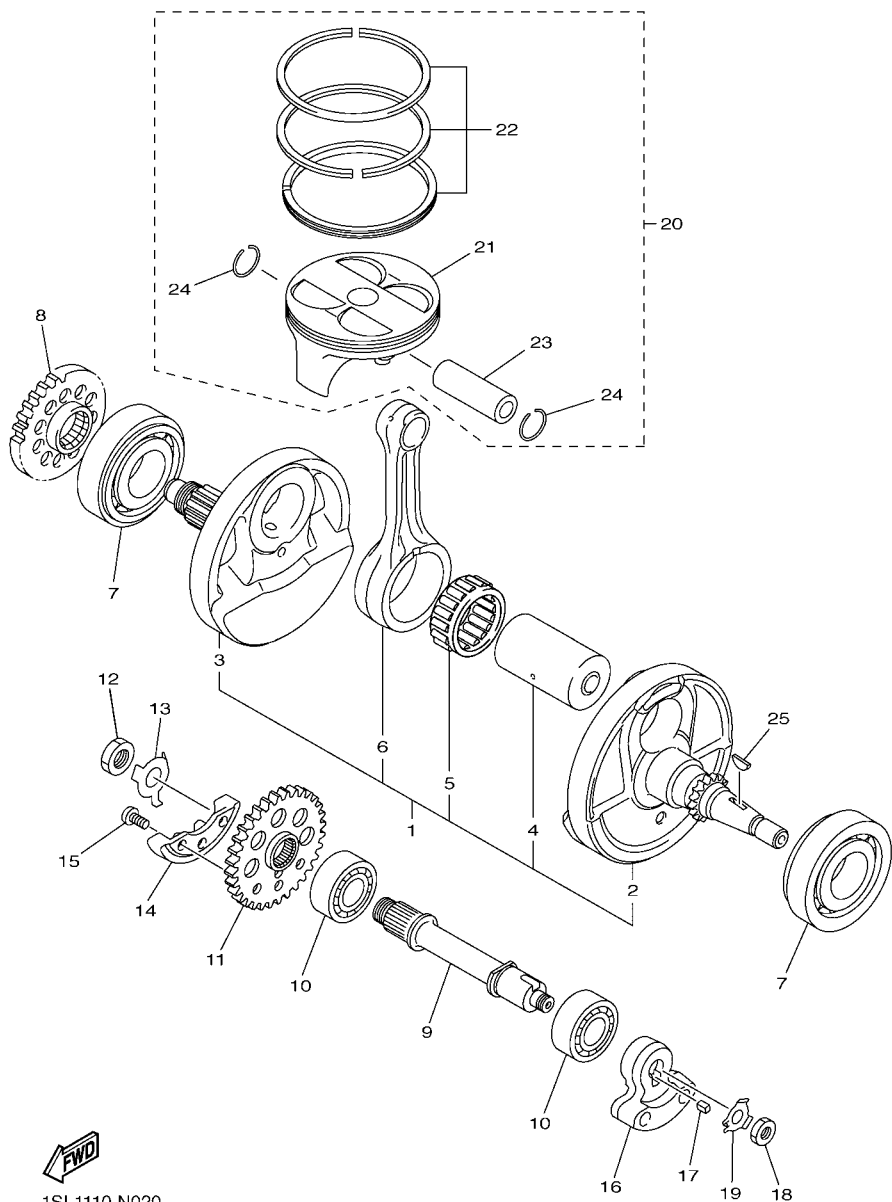
REF. NO.	PART NO.	DESCRIPTION	1SL5	1SL6	1SL7	1SL8	REMARKS
25	5UM-1119E-00	BOLT, COVER HEAD	2	2	2	2	
26	33D-1119E-00	BOLT, COVER HEAD	1	1	1	1	
27	1SL-11311-00	CYLINDER 1	1	1	1	1	
28	1SL-11351-00	GASKET, CYLINDER	1	1	1	1	
29	99530-14016	PIN, DOWEL	2	2	2	2	
30	95022-06035	BOLT, FLANGE	1	1	1	1	



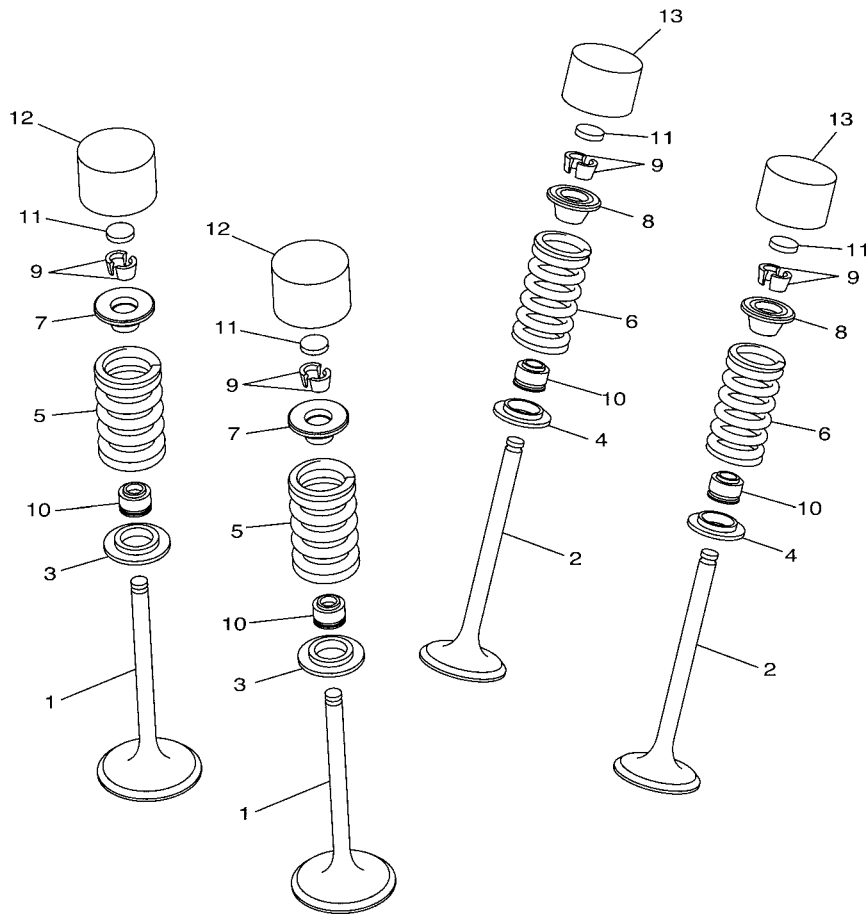
FWD
1SL1110-N010

FIG. 2 CRANKSHAFT & PISTON

REF. NO.	PART NO.	DESCRIPTION	1SL5	1SL6	1SL7	1SL8	REMARKS
1	1SL-11400-03	CRANKSHAFT ASSY	1	1	1	1	
2	1SL-11412-00	.CRANK 1	1	1	1	1	
3	1SL-11422-00	.CRANK 2	1	1	1	1	
4	5TG-11681-01	.PIN, CRANK 1	1	1	1	1	
5	93310-63458	.BEARING	1	1	1	1	
6	33D-11651-03	.ROD, CONNECTING	1	1	1	1	
7	93306-30633	BEARING	2	2	2	2	
8	1SL-11536-00	GEAR, DRIVE	1	1	1	1	
9	33D-11455-00	SHAFT 1	1	1	1	1	
10	93304-20310	BEARING	2	2	2	2	
11	2S2-11531-00	GEAR, BALANCE WEIGHT	1	1	1	1	
12	90170-14171	NUT	1	1	1	1	
13	90215-14287	WASHER, LOCK	1	1	1	1	
14	33D-11454-00	WEIGHT 1	1	1	1	1	
15	90149-06083	SCREW	3	3	3	3	
16	33D-11464-00	WEIGHT 2	1	1	1	1	
17	90282-05034	KEY, STRAIGHT	1	1	1	1	
18	90170-10405	NUT	1	1	1	1	
19	90215-10009	WASHER, LOCK	1	1	1	1	
20	1SL-116A0-00	PISTON ASSY	1	1	1	1	
21	1SL-11631-00	.PISTON (STD)	1	1	1	1	
22	33D-11603-00	.PISTON RING SET (STD)	1	1	1	1	
23	33D-11633-00	.PIN, PISTON	1	1	1	1	
24	93450-19052	.CIRCLIP	2	2	2	2	
25	90280-03006	KEY, WOODRUFF	1	1	1	1	



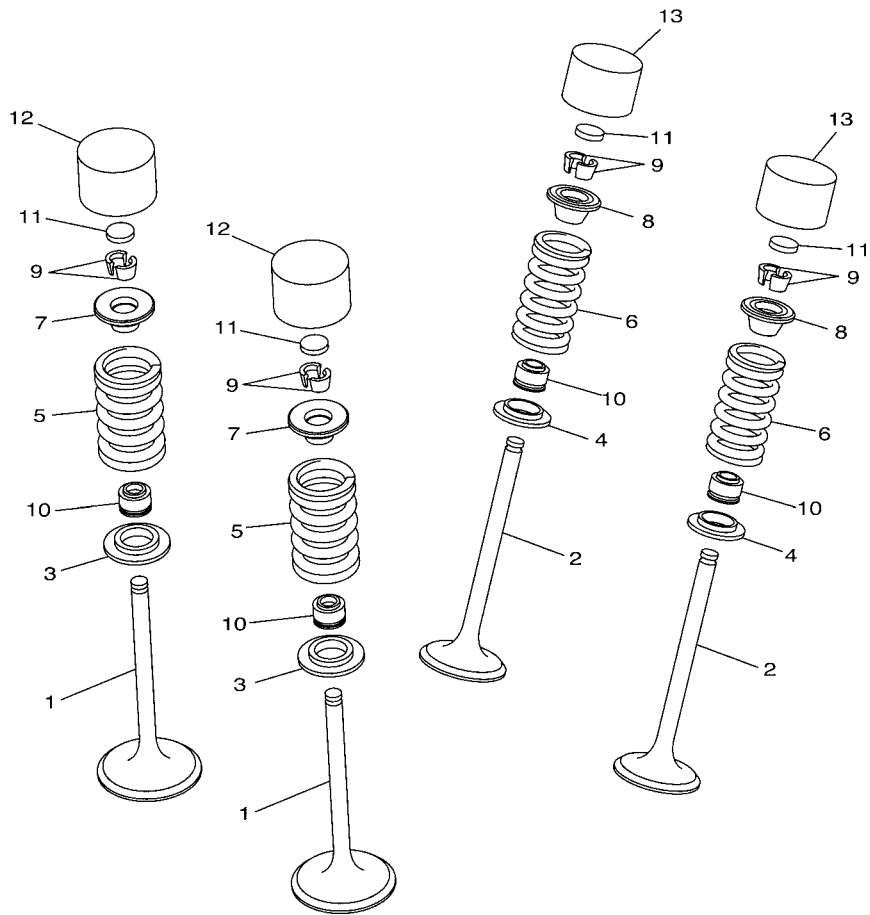
1SL1110-N020



33D1110-J030

FIG. 3 VALVE

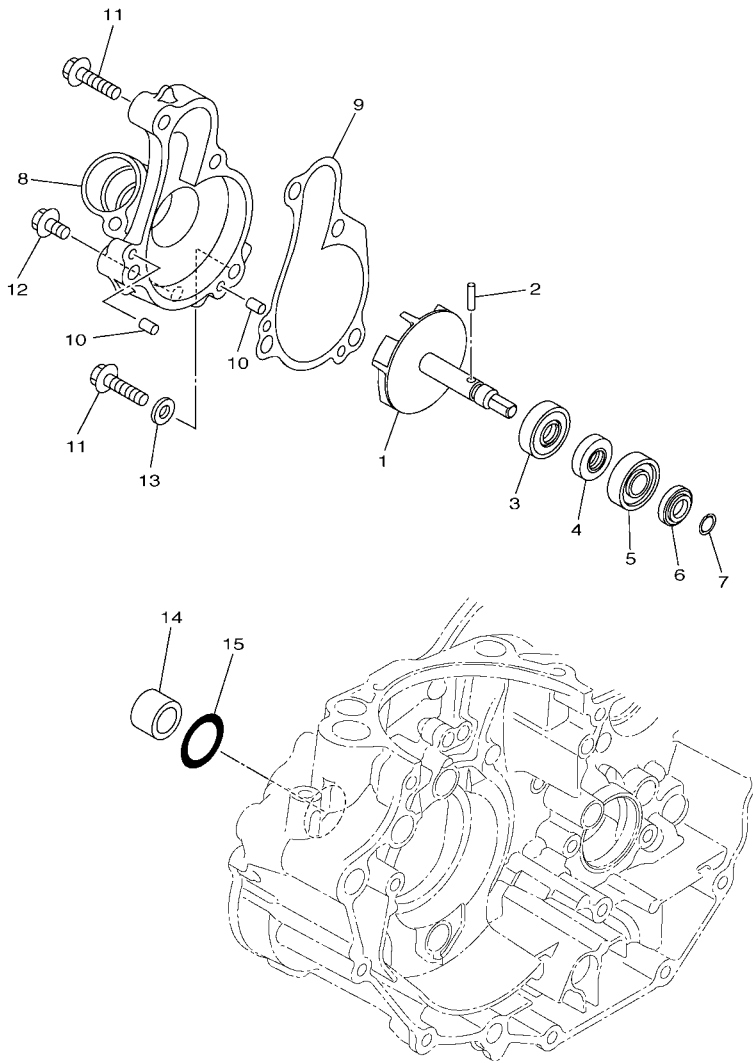
REF. NO.	PART NO.	DESCRIPTION	1SL5	1SL6	1SL7	1SL8	REMARKS
1	1SL-12111-00	VALVE, INTAKE	2	2	2	2	
2	1SL-12121-00	VALVE, EXHAUST	2	2	2	2	
3	33D-12116-00	SEAT, VALVE SPRING	2	2	2	2	
4	33D-12126-00	SEAT, VALVE SPRING 2	2	2	2	2	
5	33D-12113-00	SPRING, VALVE INNER	2	2	2	2	
6	33D-12114-00	SPRING, VALVE OUTER	2	2	2	2	
7	33D-12117-00	RETAINER, VALVE SPRING	2	2	2	2	
8	3LD-12117-00	RETAINER, VALVE SPRING	2	2	2	2	
9	3LD-12118-00	LOCK, VALVE SPRING RETAINER	8	8	8	8	
10	51Y-12119-00	SEAL, VALVE STEM	4	4	4	4	
11	3LD-12168-00	PAD, ADJUSTING (1.20)	4	4	4	4	UR
	3LD-12168-20	PAD, ADJUSTING (1.25)	4	4	4	4	UR
	3LD-12168-40	PAD, ADJUSTING (1.30)	4	4	4	4	UR
	3LD-12168-60	PAD, ADJUSTING (1.35)	4	4	4	4	UR
	3LD-12168-80	PAD, ADJUSTING (1.40)	4	4	4	4	UR
	3LD-12168-A0	PAD, ADJUSTING (1.45)	4	4	4	4	UR
	3LD-12168-F0	PAD, ADJUSTING (1.50)	4	4	4	4	UR
	3LD-12168-H1	PAD, ADJUSTING (1.55)	4	4	4	4	UR
	3LD-12168-K1	PAD, ADJUSTING (1.60)	4	4	4	4	UR
	3LD-12168-M1	PAD, ADJUSTING (1.65)	4	4	4	4	UR
	3LD-12168-R1	PAD, ADJUSTING (1.70)	4	4	4	4	UR
	3LD-12168-U1	PAD, ADJUSTING (1.75)	4	4	4	4	UR
	3LD-12168-W1	PAD, ADJUSTING (1.80)	4	4	4	4	UR
	3LD-12168-Y1	PAD, ADJUSTING (1.85)	4	4	4	4	UR
	3LD-12169-11	PAD, ADJUSTING (1.90)	4	4	4	4	UR
	3LD-12169-31	PAD, ADJUSTING (1.95)	4	4	4	4	UR
	3LD-12169-50	PAD, ADJUSTING (2.00)	4	4	4	4	UR



33D1110-J030

FIG. 3 VALVE

REF. NO.	PART NO.	DESCRIPTION	1SL5	1SL6	1SL7	1SL8	REMARKS
11	3LD-12169-70	PAD, ADJUSTING (2.05)	4	4	4	4	UR
	3LD-12169-90	PAD, ADJUSTING (2.10)	4	4	4	4	UR
	3LD-12169-E0	PAD, ADJUSTING (2.15)	4	4	4	4	UR
	3LD-12169-G0	PAD, ADJUSTING (2.20)	4	4	4	4	UR
	3LD-12169-J0	PAD, ADJUSTING (2.25)	4	4	4	4	UR
	3LD-12169-L0	PAD, ADJUSTING (2.30)	4	4	4	4	UR
	3LD-12169-N0	PAD, ADJUSTING (2.35)	4	4	4	4	UR
	3LD-12169-T0	PAD, ADJUSTING (2.40)	4	4	4	4	UR
12	4C8-12153-10	LIFTER, VALVE	2	2	2	2	STD YELLOW
	4C8-12153-09	LIFTER, VALVE (O/S)	2	2	2	2	AP GREEN
13	5EB-12153-10	LIFTER, VALVE	2	2	2	2	STD YELLOW
	5EB-12153-09	LIFTER, VALVE (O/S)	2	2	2	2	AP GREEN



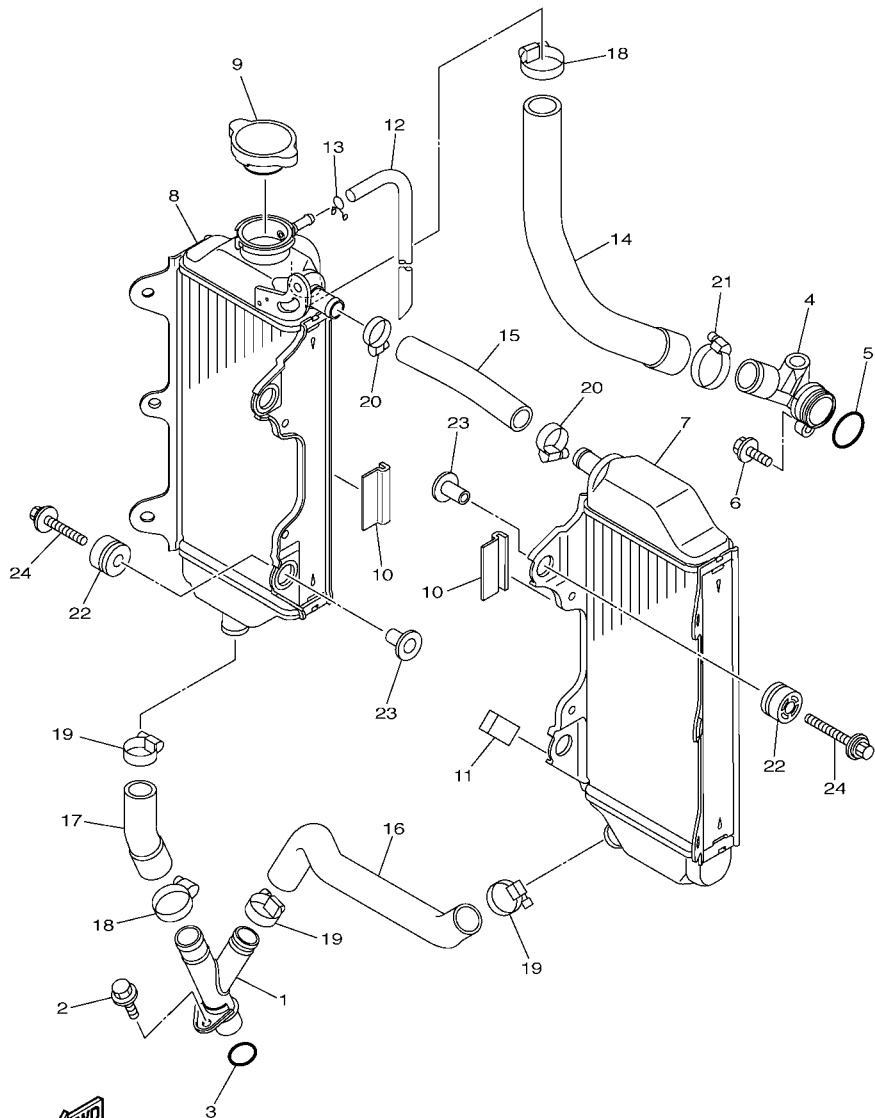
1SL1110-N050

FIG. 5 WATER PUMP

REF. NO.	PART NO.	DESCRIPTION	1SL5	1SL6	1SL7	1SL8	REMARKS
1	1SL-12450-00	IMPELLER SHAFT ASSY	1	1	1	1	
2	93603-12030	PIN, DOWEL	1	1	1	1	
3	93102-08004	OIL SEAL	1	1	1	1	
4	93102-08307	OIL SEAL	1	1	1	1	
5	93300-60801	BEARING	1	1	1	1	KOYO
6	1SL-11917-00	COLLAR	1	1	1	1	
7	93440-07182	CIRCLIP	1	1	1	1	
8	33D-12422-00	COVER, HOUSING	1	1	1	1	
9	33D-12427-00	GASKET, HOUSING COVER 1	1	1	1	1	
10	93604-10011	PIN, DOWEL	2	2	2	2	
11	95022-06025	BOLT, FLANGE	4	4	4	4	
12	95022-06010	BOLT, FLANGE	1	1	1	1	
13	90430-06014	GASKET	1	1	1	1	
14	5BE-12564-00	PIPE, WATER	1	1	1	1	
15	93210-19758	O-RING	1	1	1	1	

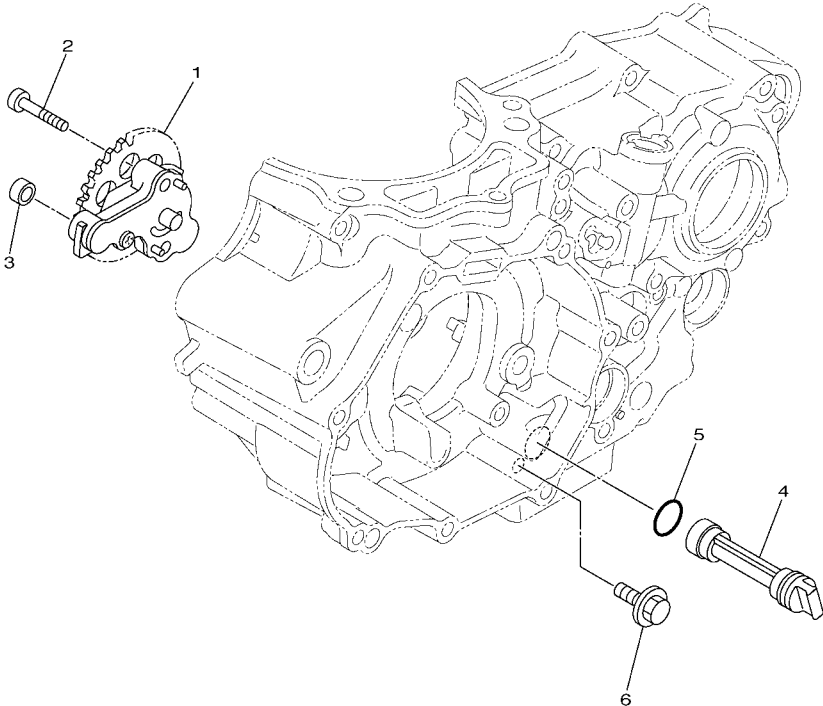
FIG. 6 RADIATOR & HOSE

REF. NO.	PART NO.	DESCRIPTION	1SL5	1SL6	1SL7	1SL8	REMARKS
1	1SL-12482-00	PIPE 2	1	1	1	1	
2	95022-06012	BOLT, FLANGE	1	1	1	1	
3	93210-16500	O-RING	1	1	1	1	
4	1SL-12446-00	JOINT	1	1	1	1	
5	93210-24253	O-RING	1	1	1	1	
6	95022-06020	BOLT, FLANGE	1	1	1	1	
7	1SL-1240A-00	RADIATOR ASSY	1	1	1	1	
8	1SL-12461-00	RADIATOR COMP	1	1	1	1	
9	5SL-12462-00	CAP, RADIATOR	1	1	1	1	
10	33D-12465-00	DAMPER, RADIATOR	2	2	2	2	
11	5YT-24665-00	DAMPER	1	1	1	1	
12	91A20-05065	TUBE, FLEXIBLE VINYL	1	1	1	1	
13	90467-090A2	CLIP	1	1	1	1	
14	1SL-12576-00	HOSE 1	1	1	1	1	
15	1SL-12577-00	HOSE 2	1	1	1	1	
16	1SL-12578-00	HOSE 3	1	1	1	1	
17	1SL-12579-00	HOSE 4	1	1	1	1	
18	90450-28001	HOSE CLAMP ASSY	2	2	2	2	
19	90450-25001	HOSE CLAMP ASSY	3	3	3	3	
20	90450-22001	HOSE CLAMP ASSY	2	2	2	2	
21	90450-32003	HOSE CLAMP ASSY	1	1	1	1	
22	90480-15012	GROMMET	4	4	4	4	
23	90387-06065	COLLAR	4	4	4	4	
24	90119-06262	BOLT, WITH WASHER	4	4	4	4	



1SL1110-N060

FIG. 7 OIL PUMP



REF. NO.	PART NO.	DESCRIPTION	1SL5	1SL6	1SL7	1SL8	REMARKS
1	1SL-13300-00	OIL PUMP ASSY	1	1	1	1	
2	90110-05033	BOLT, HEXAGON SOCKET HEAD	2	2	2	2	
3	90430-06156	GASKET	1	1	1	1	
4	1SL-13411-00	STRAINER, OIL	1	1	1	1	
5	93210-12010	O-RING	1	1	1	1	
6	90159-06021	SCREW, WITH WASHER	1	1	1	1	



1SL1110-N070

FIG. 9 INTAKE

REF. NO.	PART NO.	DESCRIPTION	1SL5	1SL6	1SL7	1SL8	REMARKS
1	33D-13597-10	JOINT, CARBURETOR 3	1	1	1	1	
2	91312-06020	BOLT	2	2	2	2	
3	90450-60004	HOSE CLAMP ASSY	1	1	1	1	
4	1SL-14293-00	COVER 1	1	1	1	1	
5	90110-05066	BOLT, HEXAGON SOCKET HEAD	1	1	1	1	
6	90450-58007	HOSE CLAMP ASSY	1	1	1	1	
7	1SL-14411-00	CASE, AIR CLEANER 1	1	1	1	1	
8	1SL-14453-00	JOINT, AIR CLEANER 1	1	1	1	1	
9	1SL-14459-00	HOLDER, GUIDE	1	1	1	1	
10	98502-05014	SCREW, PAN HEAD	8	8	8	8	
11	1SL-14451-00	ELEMENT, AIR CLEANER	1	1	1	1	
12	1SL-14458-00	GUIDE	1	1	1	1	
13	1SL-14428-00	BOLT	1	1	1	1	
14	8FP-85886-00	SENSOR, AIR TEMPERATURE	1	1	1	1	
15	97702-50520	SCREW, TAPPING	1	1	1	1	
16	4XV-2177L-01	PLATE, SPRING	1	1	1	1	
17	1SL-14422-00	CAP, CLEANER CASE 2	1	1	1	1	
18	1SL-14462-00	SEAL	1	1	1	1	
19	4XV-2177L-01	PLATE, SPRING	2	2	2	2	
20	90269-06008	RIVET	2	2	2	2	
21	98502-05014	SCREW, PAN HEAD	1	1	1	1	
22	90387-087L0	COLLAR	1	1	1	1	
23	90480-12237	GROMMET	1	1	1	1	
24	1SL-14442-00	SPACER	2	2	2	2	
25	90480-01027	GROMMET	2	2	2	2	
26	1SL-14412-00	CAP, CLEANER CASE 1	1	1	1	1	UR FOR DPBSE
	1SL-14412-10	CAP, CLEANER CASE 1	1			1	UR FOR PWS1

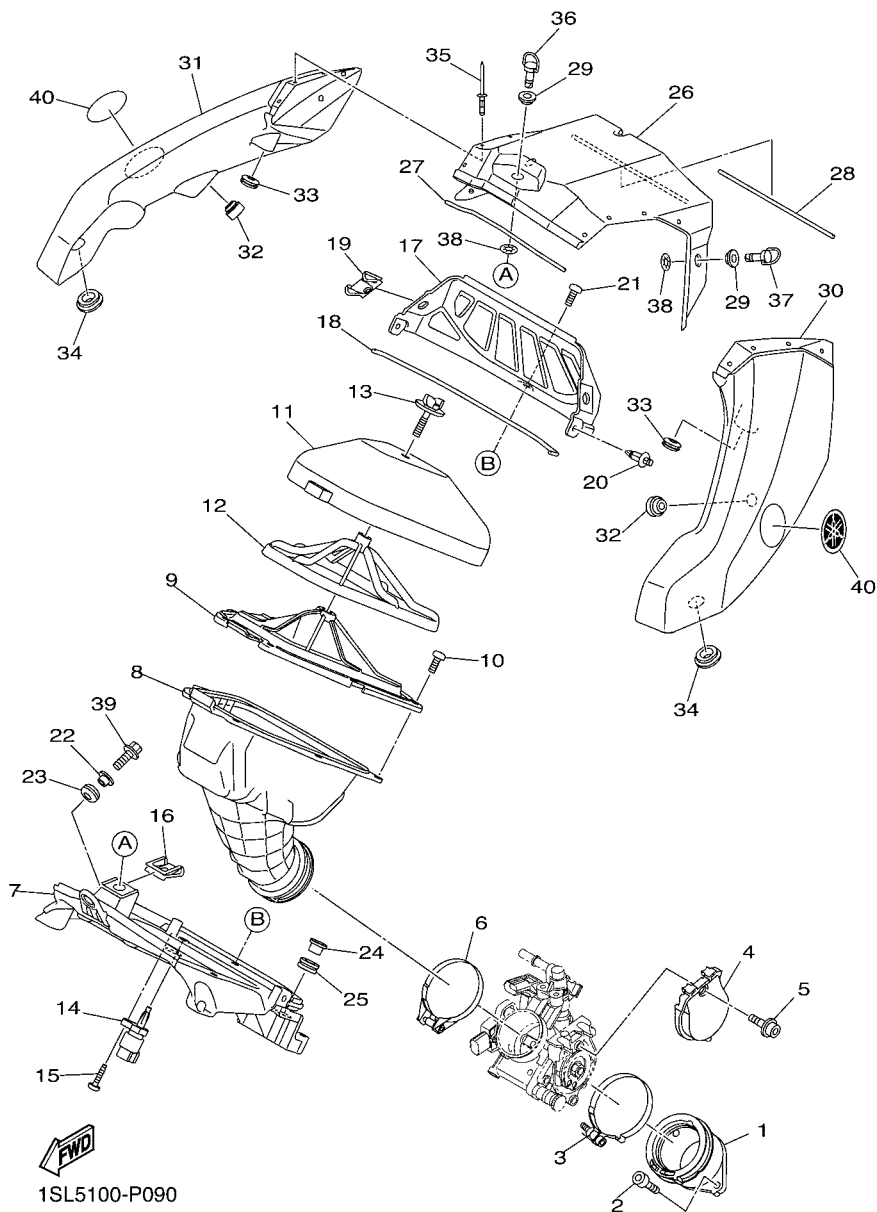
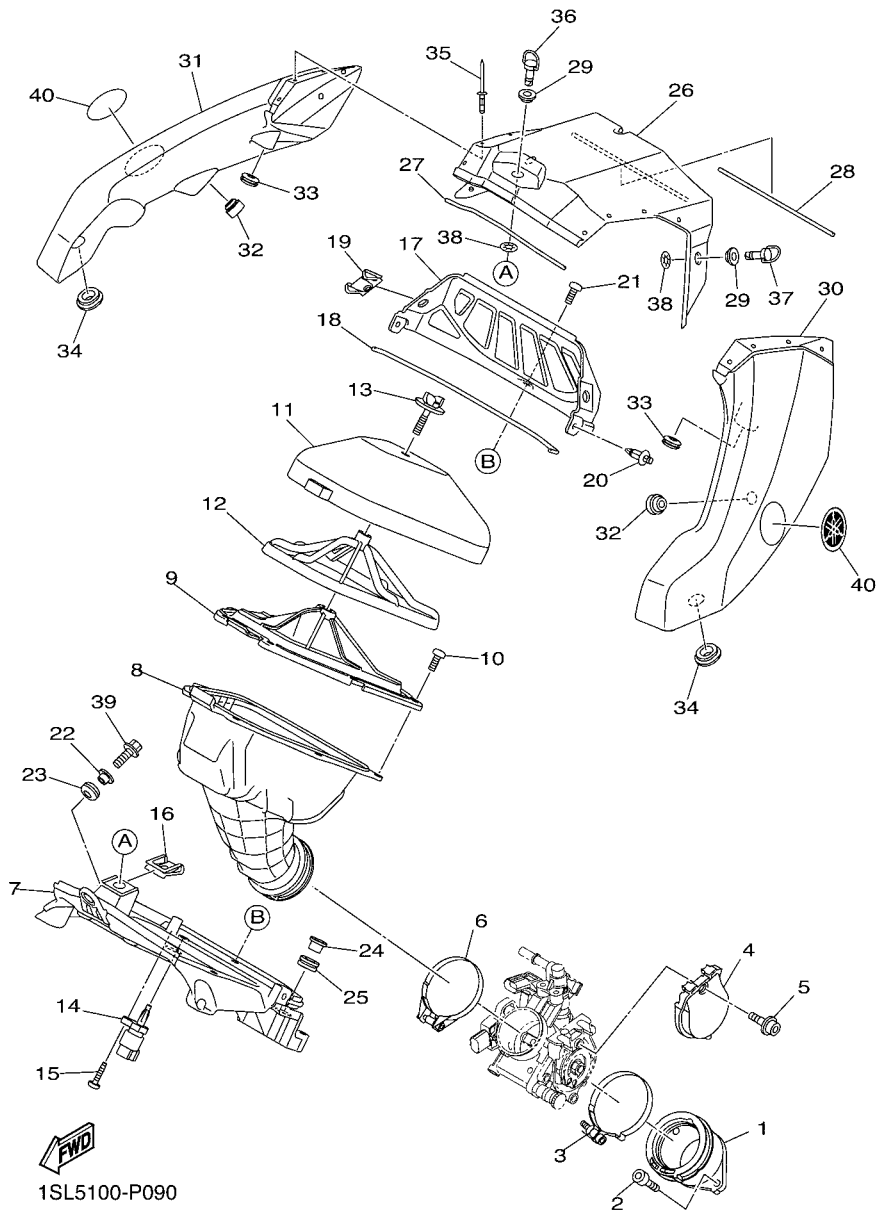
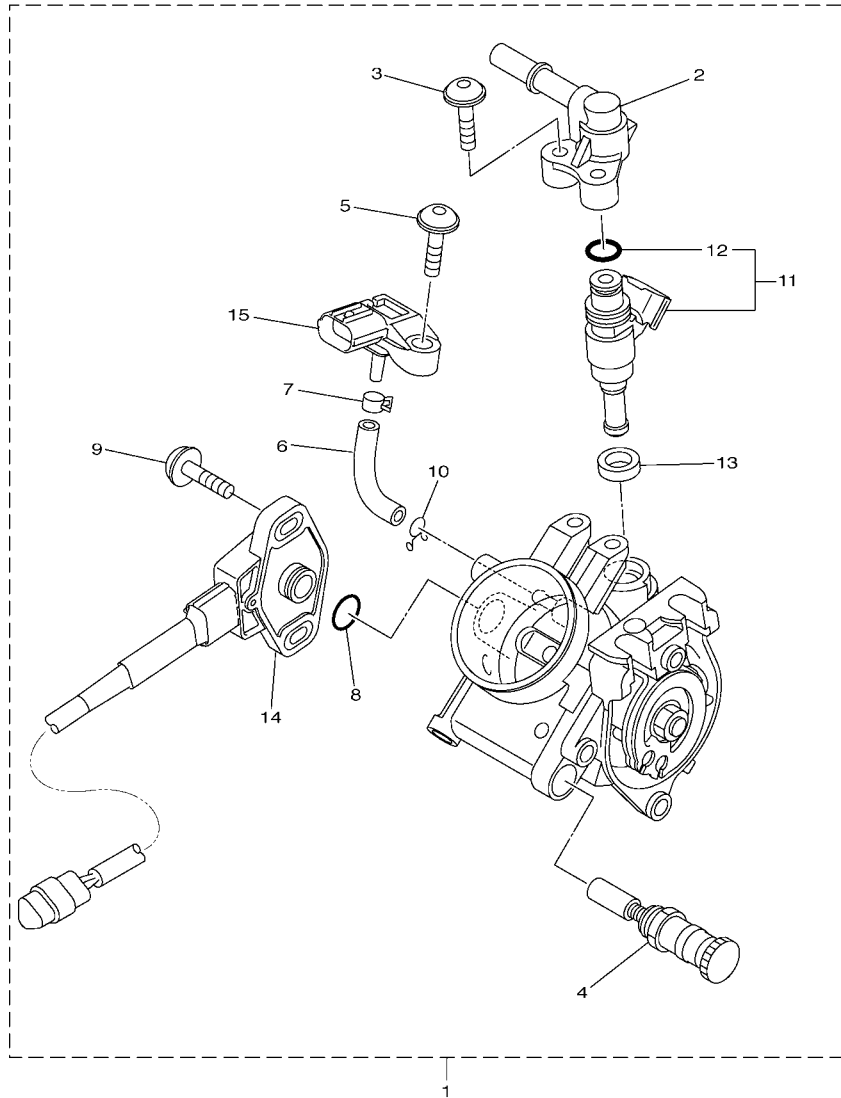


FIG. 9 INTAKE

REF. NO.	PART NO.	DESCRIPTION	1SL5	1SL6	1SL7	1SL8	REMARKS
27	1SL-14452-00	SEAL	1	1	1	1	
28	1SL-14457-00	SEAL	1	1	1	1	
29	90387-07045	COLLAR	3	3	3	3	
30	1SL-14437-00	DUCT	1	1	1	1	
31	1SL-1443A-00	DUCT	1	1	1	1	
32	90480-11298	GROMMET	2	2	2	2	
33	90480-12237	GROMMET	2	2	2	2	
34	90480-01558	GROMMET	2	2	2	2	
35	90267-41004	RIVET, BLIND	12	12	12	12	UR FOR DPBSE
	90267-40014	RIVET, BLIND	12			12	UR FOR PWS1
36	3FV-28386-00	HEAD	1	1	1	1	
37	1SL-28386-00	HEAD	2	2	2	2	
38	5TJ-21757-00	WASHER, SPECIAL 1	3	3	3	3	
39	90105-06203	BOLT, FLANGE	3	3	3	3	
40	1SL-2175C-00	TUNING FORK MARK	2	2	2	2	



1SL5100-P090

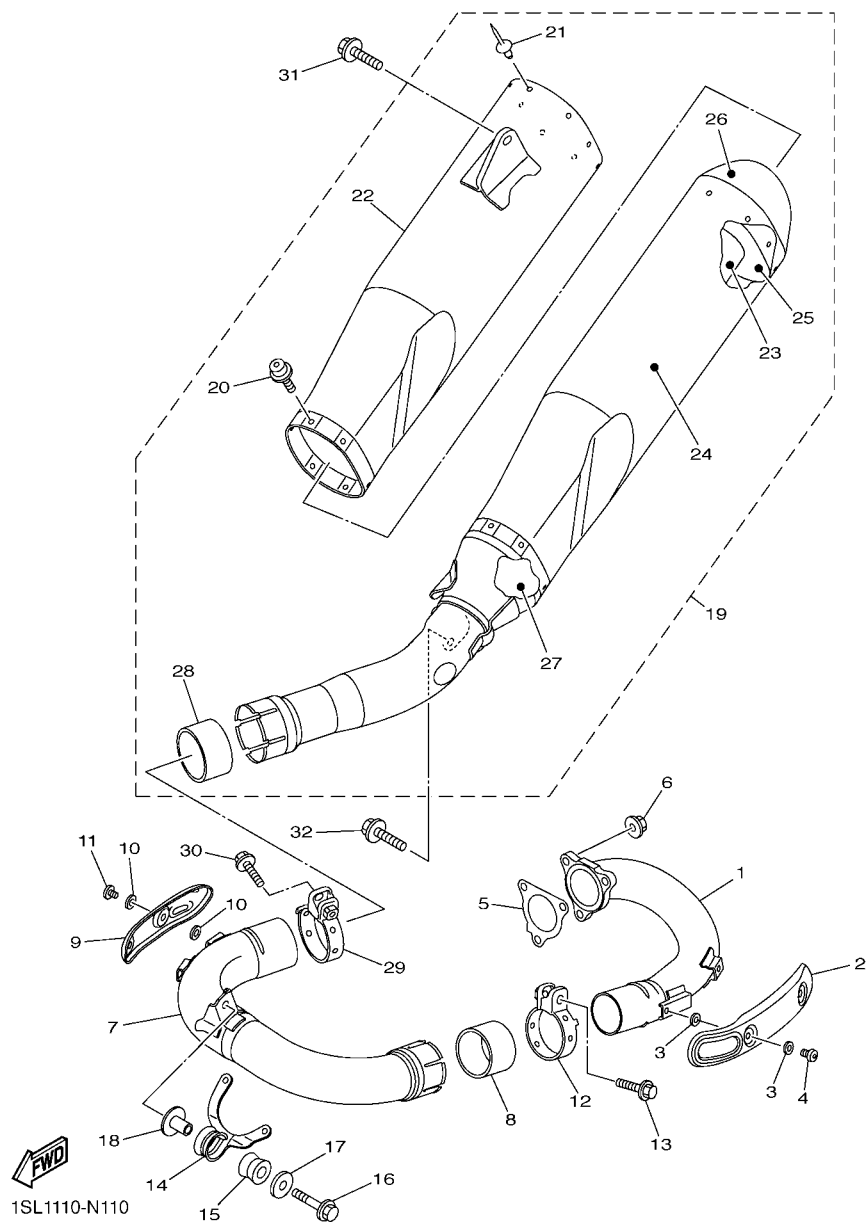


1SL1110-N100

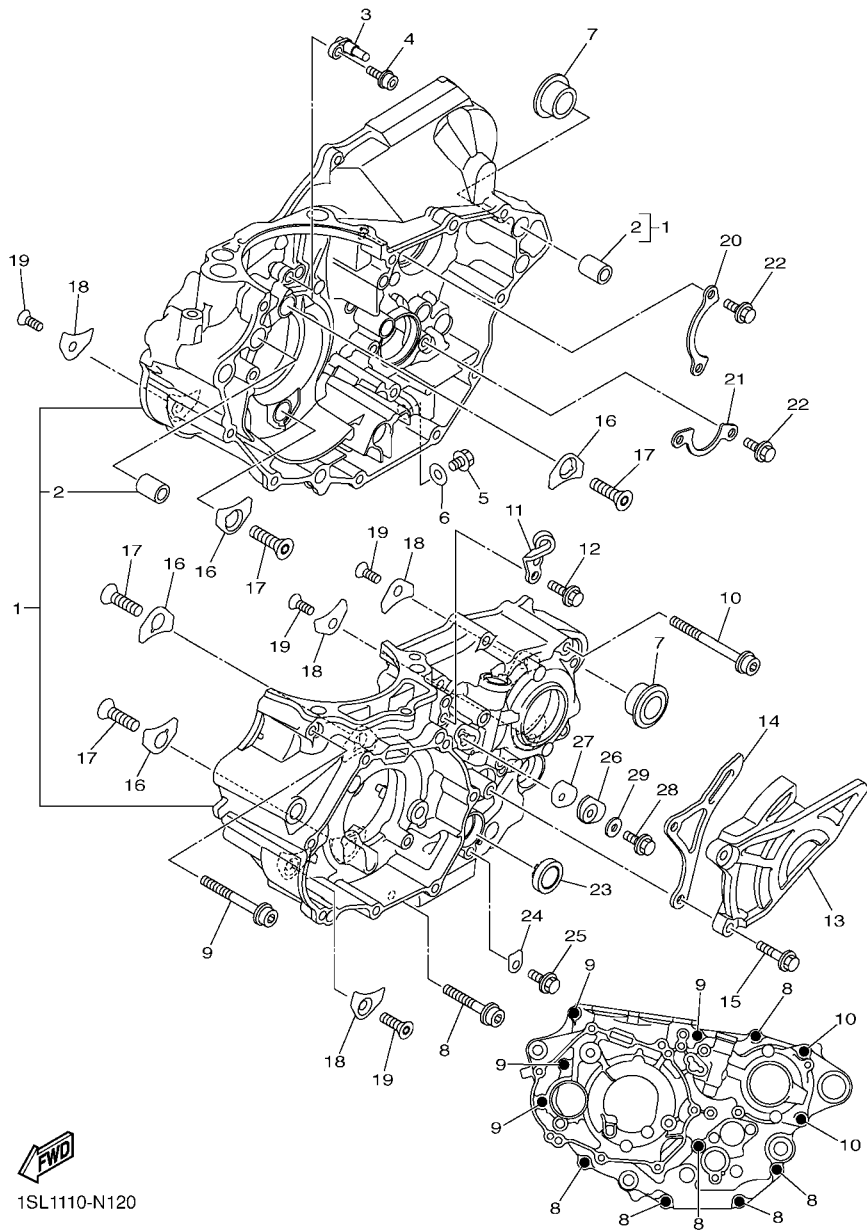
FIG. 10 INTAKE 2

REF. NO.	PART NO.	DESCRIPTION	1SL5	1SL6	1SL7	1SL8	REMARKS
1	1SL-13750-10	THROTTLE BODY ASSY	1	1	1	1	
2	33D-13938-00	.PIPE	1	1	1	1	
3	33D-14486-00	.SCREW, ROD	2	2	2	2	
4	1SL-14171-00	.PLUNGER, STARTER	1	1	1	1	
5	33D-14325-00	.SCREW, PAN HEAD	1	1	1	1	
6	33D-14348-00	.PIPE 1	1	1	1	1	
7	33D-13577-00	.CLIP	1	1	1	1	
8	1DX-14562-00	.O-RING	1	1	1	1	
9	1DX-14216-00	.SCREW	1	1	1	1	
10	3TJ-14137-40	.CLIP	1	1	1	1	
11	3B4-13761-00	.INJECTOR	1	1	1	1	
12	5PS-14147-00	.O-RING	1	1	1	1	
13	90430-09002	.GASKET	1	1	1	1	
14	1SL-85885-00	.THROTTLE SENSOR ASSY	1	1	1	1	
15	2C0-82380-00	.SENSOR, PRESSURE	1	1	1	1	

FIG. 11 EXHAUST



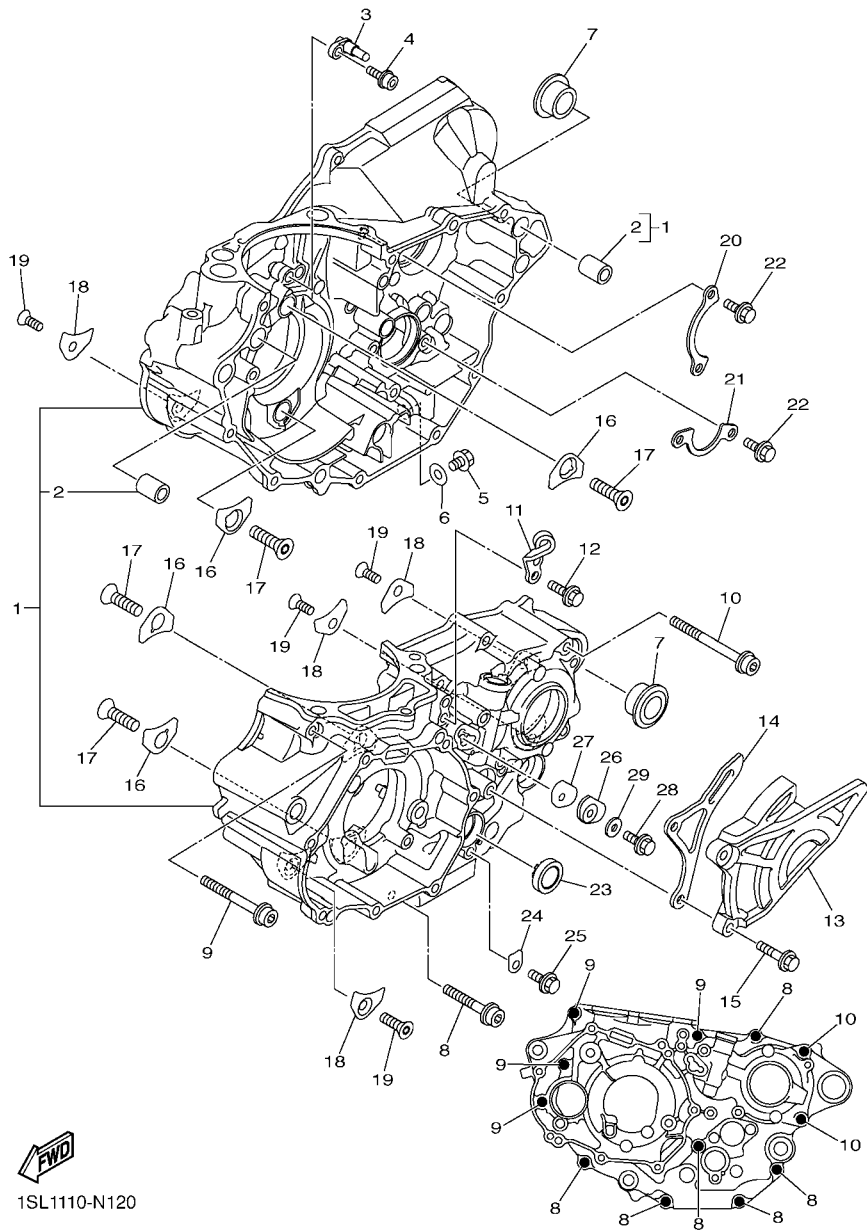
REF. NO.	PART NO.	DESCRIPTION	1SL5	1SL6	1SL7	1SL8	REMARKS
1	1SL-14611-00	PIPE, EXHAUST 1	1	1	1	1	
2	1SL-14628-00	PROTECTOR, EXHAUST PIPE	1	1	1	1	
3	90201-05017	WASHER, PLATE	4	4	4	4	
4	98980-06008	SCREW, BIND	2	2	2	2	
5	33D-14613-00	GASKET, EXHAUST PIPE	1	1	1	1	
6	95704-06500	NUT, FLANGE	3	3	3	3	
7	1SL-14621-00	PIPE, EXHAUST 2	1	1	1	1	
8	5XD-14714-00	GASKET, MUFFLER	1	1	1	1	
9	1SL-1463B-00	PROTECTOR, EXT. PIPE 2	1	1	1	1	
10	90201-05017	WASHER, PLATE	4	4	4	4	
11	98980-06008	SCREW, BIND	2	2	2	2	
12	1SL-14788-00	BAND, SILENCER	1	1	1	1	
13	95024-08040	BOLT, FLG.(SMALL HEAD)	1	1	1	1	
14	1SL-14639-00	STAY, EXHAUST PIPE 1	1	1	1	1	
15	5VY-14747-00	DAMPER, MUFFLER	1	1	1	1	
16	90105-08137	BOLT, FLANGE	1	1	1	1	
17	90201-08061	WASHER, PLATE	1	1	1	1	
18	90387-08081	COLLAR	1	1	1	1	
19	1SL-14750-00	SILENCER ASSY	1				
	1SL-14750-10	SILENCER ASSY		1	1	1	
20	90110-05064	BOLT, HEXAGON SOCKET HEAD	6	6	6	6	
21	90267-48121	RIVET, BLIND	8	8	8	8	
22	1SL-1466G-00	BODY, SILENCER	1	1	1	1	
23	1SL-1469A-00	FIBER	1				
	1SL-1469A-10	FIBER		1	1	1	
24	1SL-1477E-00	FIBER 2	1	1	1	1	
25	1SL-1469F-00	FIBER	1	1	1	1	



1SL1110-N120

FIG. 12 CRANKCASE

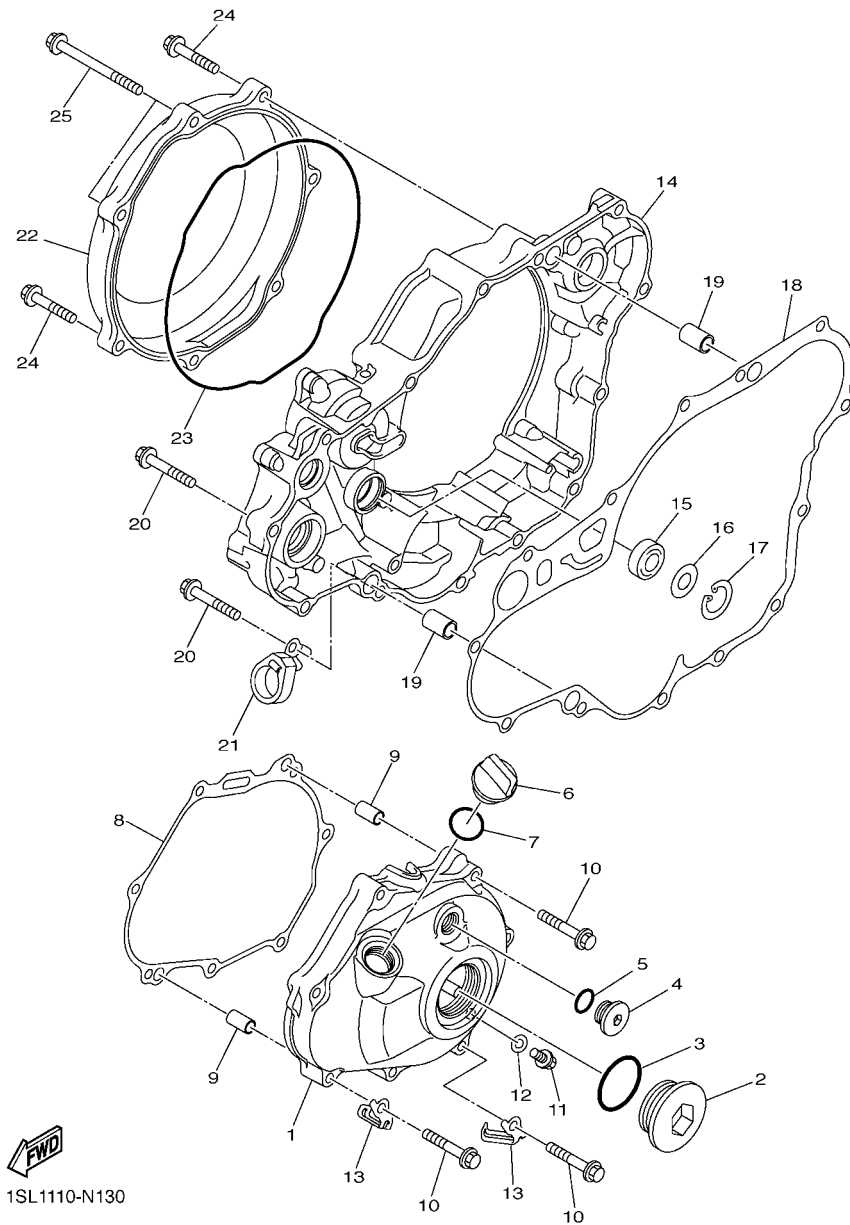
REF. NO.	PART NO.	DESCRIPTION	1SL5	1SL6	1SL7	1SL8	REMARKS
1	1SL-15100-09	CRANKCASE ASSY	1	1	1	1	
2	99530-14016	.PIN, DOWEL	2	2	2	2	
3	1SL-15155-00	NOZZLE 3	1	1	1	1	
4	90110-06168	BOLT, HEXAGON SOCKET HEAD	1	1	1	1	
5	95022-10016	BOLT, FLANGE	1	1	1	1	
6	90430-10188	GASKET	1	1	1	1	
7	90387-17015	COLLAR	2	2	2	2	
8	90110-06391	BOLT, HEXAGON SOCKET HEAD	6	6	6	6	
9	90110-06363	BOLT, HEXAGON SOCKET HEAD	4	4	4	4	
10	90110-06392	BOLT, HEXAGON SOCKET HEAD	2	2	2	2	
11	1SL-15441-00	HOLDER, CLUTCH CABLE	1	1	1	1	
12	90105-06099	BOLT, FLANGE	2	2	2	2	
13	1SL-15421-00	COVER, CRANKCASE 2	1	1	1	1	
14	1SL-17466-00	GUIDE, CHAIN	1	1	1	1	
15	90105-06189	BOLT, FLANGE	2	2	2	2	
16	18P-15383-00	PLATE, BEARING COVER	4	4	4	4	
17	90151-08003	SCREW, COUNTERSUNK	4	4	4	4	
18	4JT-15381-01	PLATE, BEARING COVER	4	4	4	4	
19	90149-06074	SCREW	4	4	4	4	
20	1SL-15388-00	PLATE, BEARING COVER	1	1	1	1	
21	1SL-18562-00	PLATE, STOPPER 2	1	1	1	1	
22	90105-06081	BOLT, FLANGE	4	4	4	4	
23	3Y1-15361-00	GAUGE, LEVEL	1	1	1	1	
24	5XC-15118-00	HOLDER	1	1	1	1	
25	95022-06010	BOLT, FLANGE	1	1	1	1	
26	1SL-13371-00	PLATE	1	1	1	1	
27	1SL-13475-00	GASKET	1	1	1	1	



1SL1110-N120

FIG. 12 CRANKCASE

REF. NO.	PART NO.	DESCRIPTION	1SL5	1SL6	1SL7	1SL8	REMARKS
28	90105-06203	BOLT, FLANGE	1	1	1	1	
29	90430-06166	GASKET	1	1	1	1	



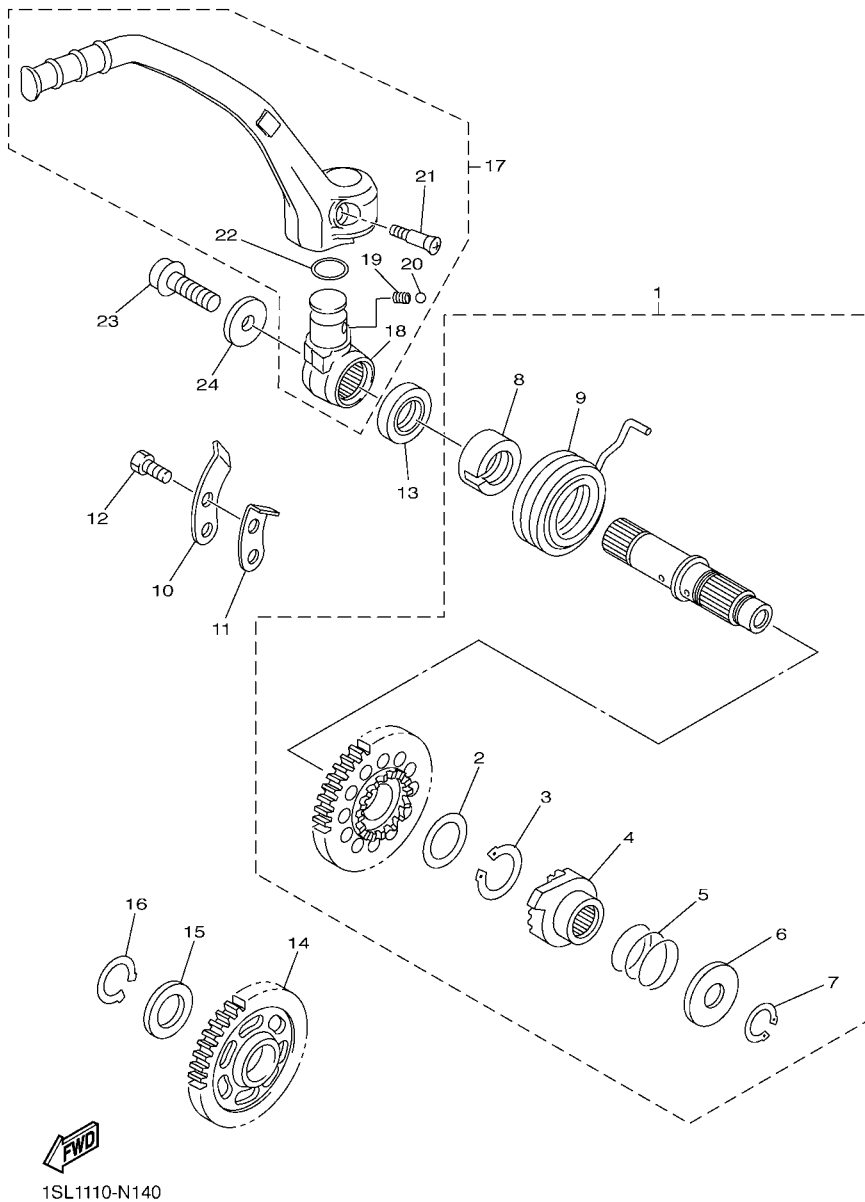
1SL1110-N130

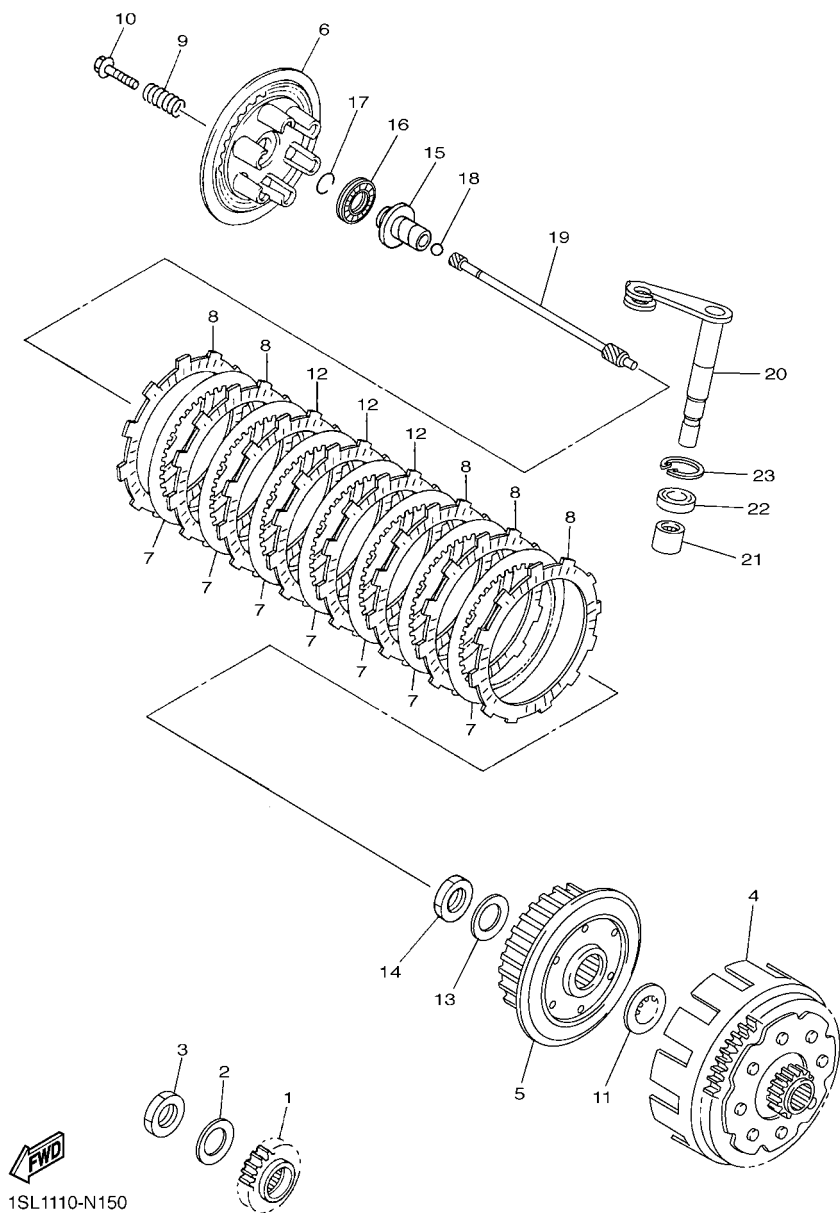
FIG. 13 CRANKCASE COVER 1

REF. NO.	PART NO.	DESCRIPTION	1SL5	1SL6	1SL7	1SL8	REMARKS
1	1SL-15411-00	COVER, CRANKCASE 1	1	1	1	1	
2	90340-36002	PLUG, STRAIGHT SCREW	1	1	1	1	
3	93210-357A3	O-RING	1	1	1	1	
4	90340-14011	PLUG, STRAIGHT SCREW	1	1	1	1	
5	93210-14369	O-RING	1	1	1	1	
6	3Y1-15363-10	PLUG, OIL	1	1	1	1	
7	93210-19123	O-RING	1	1	1	1	
8	1SL-15451-00	GASKET, CRANKCASE COVER 1	1	1	1	1	
9	99530-08016	PIN, DOWEL	2	2	2	2	
10	95022-06030	BOLT, FLANGE	7	7	7	7	
11	95022-06012	BOLT, FLANGE	1	1	1	1	
12	90430-06014	GASKET	1	1	1	1	
13	90465-08062	CLAMP	2	2	2	2	
14	1SL-15431-00	COVER, CRANKCASE 3	1	1	1	1	
15	93101-14164	OIL SEAL	1	1	1	1	
16	90201-15701	WASHER, PLATE (T=1.0)	1	1	1	1	
17	99009-22500	CIRCLIP	1	1	1	1	
18	1SL-15462-00	GASKET, CRANKCASE COVER 3	1	1	1	1	
19	99530-12016	PIN, DOWEL	2	2	2	2	
20	95022-06030	BOLT, FLANGE	11	11	11	11	
21	1SL-15378-00	HOLDER	1	1	1	1	
22	33D-15415-10	COVER, GENERATOR	1	1	1	1	
23	33D-15453-00	GASKET	1	1	1	1	
24	95022-06025	BOLT, FLANGE	5	5	5	5	
25	95022-06070	BOLT, FLANGE	2	2	2	2	

FIG. 14 STARTER

REF. NO.	PART NO.	DESCRIPTION	1SL5	1SL6	1SL7	1SL8	REMARKS
1	2S2-15601-00	KICK SHAFT ASSY	1	1	1	1	
2	90201-20685	.WASHER, PLATE (T=0.5)	1	1	1	1	
3	93410-20038	.CIRCLIP	1	1	1	1	
4	2S2-15671-00	.WHEEL, RATCHET	1	1	1	1	
5	90501-160A2	.SPRING, COMPRESSION	1	1	1	1	
6	90201-167P7	.WASHER, PLATE	1	1	1	1	
7	99009-16400	.CIRCLIP	1	1	1	1	
8	5GR-15664-00	.GUIDE, SPRING	1	1	1	1	
9	90508-305B0	.SPRING, TORSION	1	1	1	1	
10	3Y6-15674-00	GUIDE, RATCHET WHEEL	1	1	1	1	
11	2NX-15668-00	STOPPER	1	1	1	1	
12	90101-06044	BOLT	2	2	2	2	
13	93102-20108	OIL SEAL	1	1	1	1	
14	5TA-15651-00	GEAR, KICK IDLE	1	1	1	1	
15	90201-20685	WASHER, PLATE (T=0.5)	1	1	1	1	
16	99009-20400	CIRCLIP	1	1	1	1	
17	1SL-15620-00	KICK CRANK ASSY	1	1	1	1	
18	1SL-15621-00	.BOSS, KICK CRANK	1	1	1	1	
19	90501-147A5	.SPRING, COMPRESSION	1	1	1	1	
20	93507-32009	.BALL	1	1	1	1	
21	90151-06045	.SCREW, COUNTERSUNK	1	1	1	1	
22	93210-17570	.O-RING	1	1	1	1	
23	90110-08087	BOLT, HEXAGON SOCKET HEAD	1	1	1	1	
24	90201-08047	WASHER, PLATE	1	1	1	1	





1SL1110-N150

FIG. 15 CLUTCH

REF. NO.	PART NO.	DESCRIPTION	1SL5	1SL6	1SL7	1SL8	REMARKS
1	2S2-16111-60	GEAR, PRIMARY DRIVE	1	1	1	1	
2	90208-20008	WASHER, CONICAL SPRING	1	1	1	1	
3	90170-20255	NUT	1	1	1	1	
4	5XD-16150-70	PRIMARY DRIVEN GEAR COMP.	1	1	1	1	
5	5TA-16371-10	BOSS, CLUTCH	1	1	1	1	
6	2S2-16351-00	PLATE, PRESSURE 1	1	1	1	1	
7	4B1-16324-00	PLATE, CLUTCH 1	7	7	7	7	
8	5TA-16321-00	PLATE, FRICTION	5	5	5	5	
9	90501-240A3	SPRING, COMPRESSION	6	6	6	6	
10	90159-06010	SCREW, WITH WASHER	6	6	6	6	
11	5XD-16154-00	PLATE, THRUST 1	1	1	1	1	
12	5VY-16321-00	PLATE, FRICTION	3	3	3	3	
13	90208-20008	WASHER, CONICAL SPRING	1	1	1	1	
14	90170-20255	NUT	1	1	1	1	
15	33D-16356-00	ROD, PUSH 1	1	1	1	1	
16	93340-21209	BEARING	1	1	1	1	
17	93440-10085	CIRCLIP	1	1	1	1	
18	93511-32027	BALL	1	1	1	1	
19	1SL-16357-00	ROD, PUSH 2	1	1	1	1	
20	1SL-16381-00	PUSH LEVER COMP.	1	1	1	1	
21	93317-11096	BEARING	1	1	1	1	
22	93102-10008	OIL SEAL	1	1	1	1	
23	99009-18500	CIRCLIP	1	1	1	1	

FIG. 16 TRANSMISSION

REF. NO.	PART NO.	DESCRIPTION	1SL5	1SL6	1SL7	1SL8	REMARKS
1	93306-20532	BEARING	1	1	1	1	
2	1SL-17411-00	AXLE,MAIN(14T)	1	1	1	1	
3	2S2-17151-00	GEAR, 5TH PINION(21T)	1	1	1	1	
4	90201-253K0	WASHER, PLATE (T=1.0)	1	1	1	1	
5	93440-25084	CIRCLIP	3	3	3	3	
6	1SL-17131-00	GEAR, 3RD PINION (20T)	1	1	1	1	
7	2S2-17141-00	GEAR, 4TH PINION (22T)	1	1	1	1	
8	90387-21005	COLLAR	1	1	1	1	
9	2S2-17121-00	GEAR, 2ND PINION(15T)	1	1	1	1	
10	90209-21332	WASHER	1	1	1	1	
11	93306-00447	BEARING	1	1	1	1	
12	93306-00426	BEARING	1	1	1	1	
13	1SL-17402-00	DRIVE AXLE ASSY	1	1	1	1	
14	2S2-17211-00	GEAR, 1ST WHEEL(27T)	1	1	1	1	
15	90387-20028	COLLAR	1	1	1	1	
16	90201-203E7	WASHER, PLATE	1	1	1	1	
17	1SL-17251-00	GEAR, 5TH WHEEL (20T)	1	1	1	1	
18	93440-25084	CIRCLIP	1	1	1	1	
19	90209-22008	WASHER	1	1	1	1	
20	1SL-17231-00	GEAR, 3RD WHEEL(26T)	1	1	1	1	
21	90201-253K0	WASHER, PLATE (T=1.0)	1	1	1	1	
22	93440-28062	CIRCLIP	1	1	1	1	
23	1SL-17241-00	GEAR, 4TH WHEEL(24T)	1	1	1	1	
24	90209-26348	WASHER	1	1	1	1	
25	2S2-17221-00	GEAR, 2ND WHEEL(23T)	1	1	1	1	
26	90387-28012	COLLAR	1	1	1	1	
27	93306-205A5	BEARING	1	1	1	1	

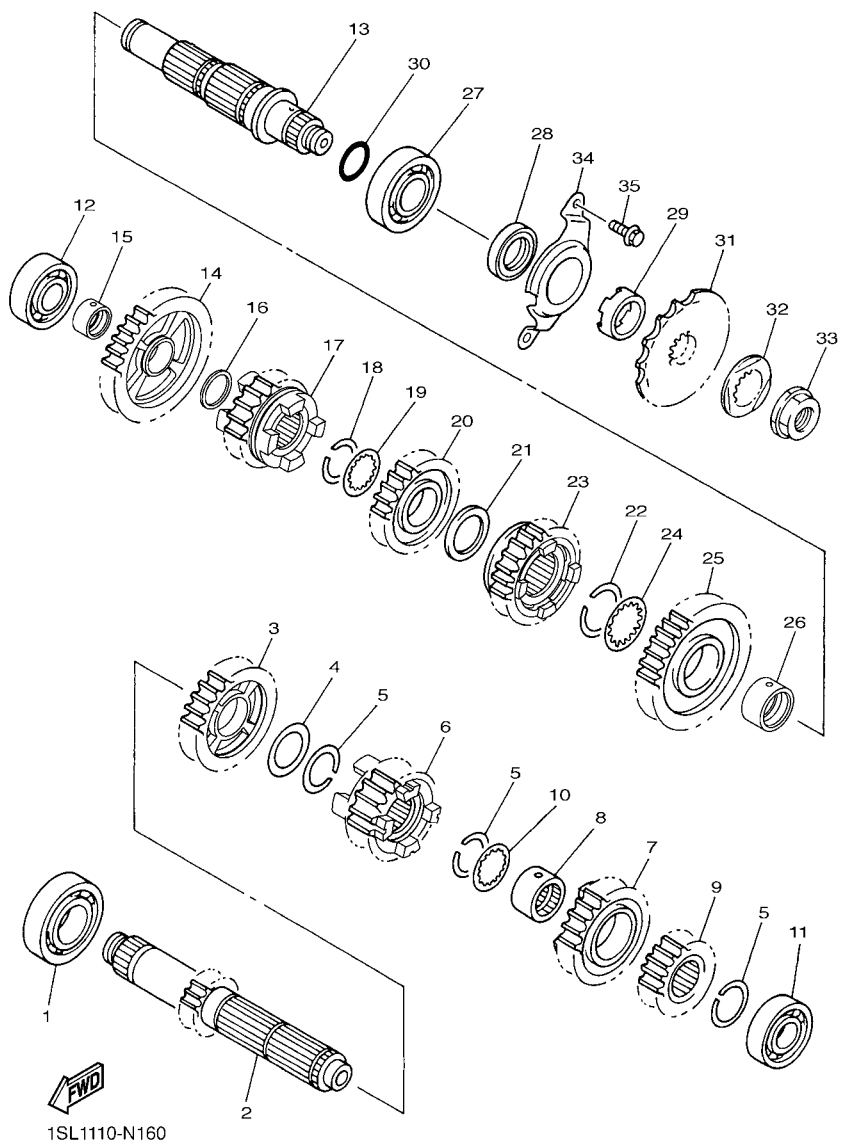


FIG. 16 TRANSMISSION

REF. NO.	PART NO.	DESCRIPTION	1SL5	1SL6	1SL7	1SL8	REMARKS
28	93102-32480	OIL SEAL	1	1	1	1	
29	90387-2513F	COLLAR	1	1	1	1	
30	93210-22164	O-RING	1	1	1	1	
31	9383E-13233	SPROCKET, DRIVE (13T)	1	1	1	1	
32	90215-21003	WASHER, LOCK	1	1	1	1	
33	90179-20001	NUT	1	1	1	1	
34	1SL-17471-00	PLATE, COVER	1	1	1	1	
35	90105-06081	BOLT, FLANGE	2	2	2	2	

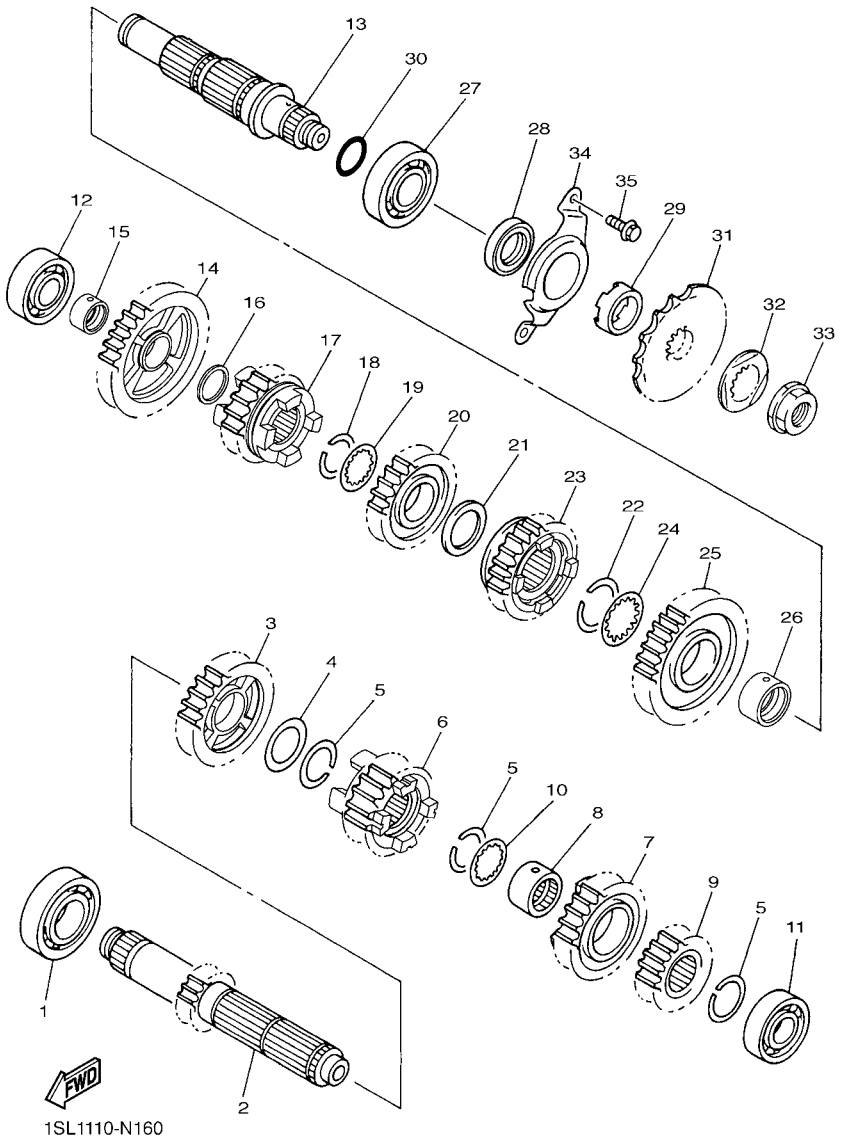
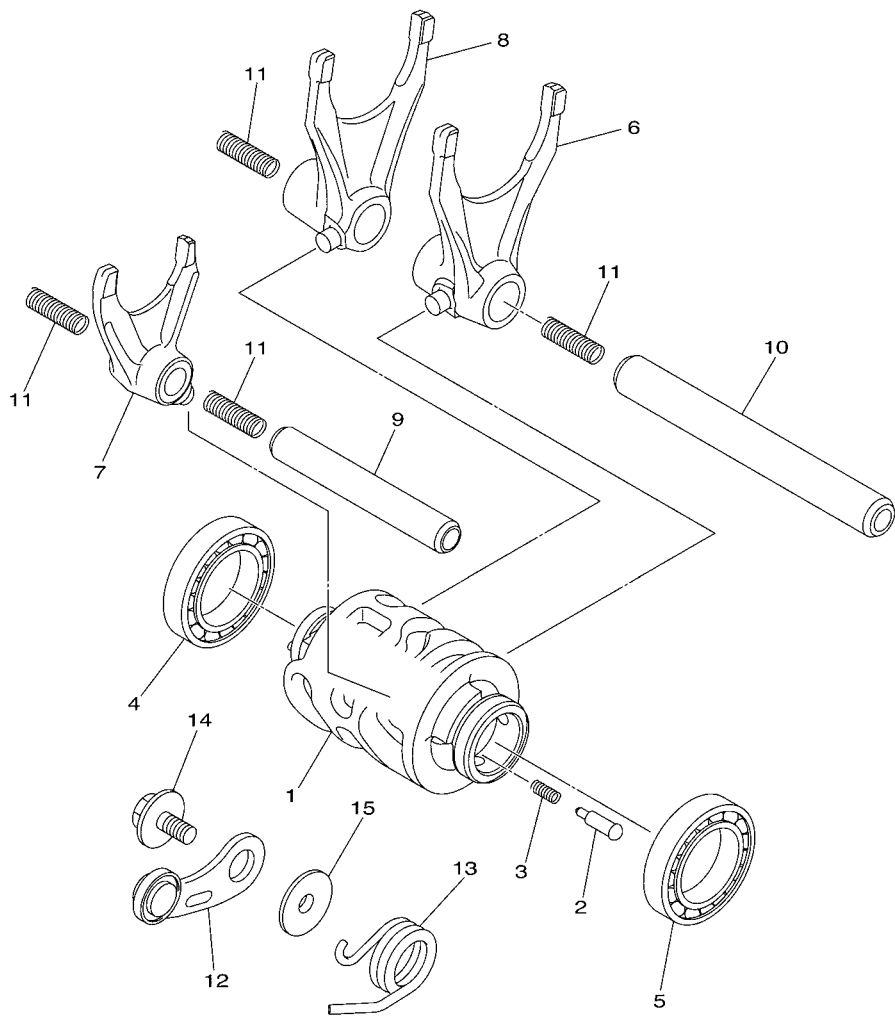
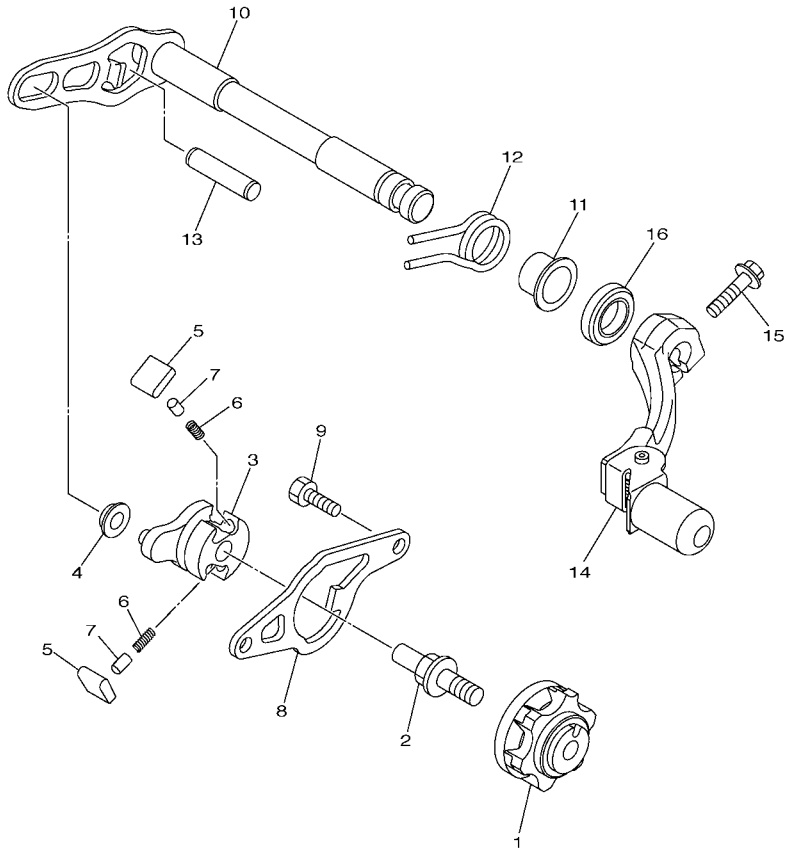


FIG. 17 SHIFT CAM & FORK

REF. NO.	PART NO.	DESCRIPTION	1SL5	1SL6	1SL7	1SL8	REMARKS
1	1SL-18541-00	CAM, SHIFT	1	1	1	1	
2	3D7-18542-00	POINT, NEUTRAL	1	1	1	1	
3	90501-06022	SPRING, COMPRESSION	1	1	1	1	
4	93306-90409	BEARING	1	1	1	1	
5	93306-80502	BEARING	1	1	1	1	
6	1SL-18511-00	FORK, SHIFT 1	1	1	1	1	
7	1SL-18512-00	FORK, SHIFT 2	1	1	1	1	
8	1SL-18513-00	FORK, SHIFT 3	1	1	1	1	
9	1SL-18531-00	BAR, SHIFT FORK GUIDE 1	1	1	1	1	
10	1SL-18535-00	BAR, SHIFT FORK GUIDE 2	1	1	1	1	
11	90501-064L1	SPRING, COMPRESSION	4	4	4	4	
12	1SL-18140-01	STOPPER LEVER ASSY	1	1	1	1	
13	90508-26080	SPRING, TORSION	1	1	1	1	
14	90159-06027	SCREW, WITH WASHER	1	1	1	1	
15	33D-18175-00	SPACER	1	1	1	1	



1SL5100-P170



1SL1110-N180

FIG. 18 SHIFT SHAFT

REF. NO.	PART NO.	DESCRIPTION	1SL5	1SL6	1SL7	1SL8	REMARKS
1	1SL-18185-00	SEGMENT	1	1	1	1	
2	3XJ-18173-10	PIN, SHIFT	1	1	1	1	
3	1SL-18122-00	LEVER, SHIFT 2	1	1	1	1	
4	3XJ-18178-00	ROLLER, SHIFT LEVER	1	1	1	1	
5	3XJ-18182-00	PAWL, SHIFTER	2	2	2	2	
6	90501-052G5	SPRING, COMPRESSION	2	2	2	2	
7	3XJ-18184-00	PIN, PAWL	2	2	2	2	
8	1SL-18172-00	GUIDE, SHIFT	1	1	1	1	
9	90101-06041	BOLT	2	2	2	2	
10	1SL-18101-00	SHIFT SHAFT ASSY	1	1	1	1	
11	90387-14020	COLLAR	1	1	1	1	
12	90508-29023	SPRING, TORSION	1	1	1	1	
13	93608-33002	PIN, DOWEL	1	1	1	1	
14	1SL-18110-00	SHIFT PEDAL ASSY	1	1	1	1	
15	90119-06M12	BOLT, WITH WASHER	1	1	1	1	
16	93109-14010	OIL SEAL	1	1	1	1	

FIG. 19 FRAME

REF. NO.	PART NO.	DESCRIPTION	1SL5	1SL6	1SL7	1SL8	REMARKS
1	1SL-21101-00	FRONT FRAME COMP.	1	1	1	1	
2	17D-21447-00	.BRACKET, FOOTREST	1	1	1	1	
3	17D-21448-00	.BRACKET, FOOTREST	1	1	1	1	
4	90149-10031	.SCREW	4	4	4	4	
5	1SL-21190-00	REAR FRAME COMP.	1	1	1	1	
6	33D-23472-00	PROTECTOR	2	2	2	2	
7	90105-08230	BOLT, FLANGE	4	4	4	4	
8	30X-22178-00	TENSIONER	1	1	1	1	
9	4V4-22184-00	BUSH	1	1	1	1	
10	90201-08045	WASHER, PLATE	2	2	2	2	
11	90387-08041	COLLAR	1	1	1	1	
12	95022-08040	BOLT, FLANGE	1	1	1	1	
13	3JD-22178-20	TENSIONER	1	1	1	1	
14	93300-60839	BEARING	1	1	1	1	
15	90387-086N4	COLLAR	1	1	1	1	
16	90105-08232	BOLT, FLANGE	1	1	1	1	
17	90185-08009	NUT, SELF-LOCKING	1	1	1	1	
18	90201-08043	WASHER, PLATE	1	1	1	1	
19	90105-10176	BOLT, FLANGE	1	1	1	1	
20	90179-10658	NUT	1	1	1	1	
21	90201-10045	WASHER, PLATE	1	1	1	1	
22	1SL-21417-10	BRACKET, FRONT LOWER 1	2	2	2	2	
23	90105-08143	BOLT, FLANGE	4	4	4	4	
24	90105-10193	BOLT, FLANGE	1	1	1	1	
25	90179-10658	NUT	1	1	1	1	
26	90201-10045	WASHER, PLATE	1	1	1	1	
27	90105-10189	BOLT, FLANGE	2	2	2	2	

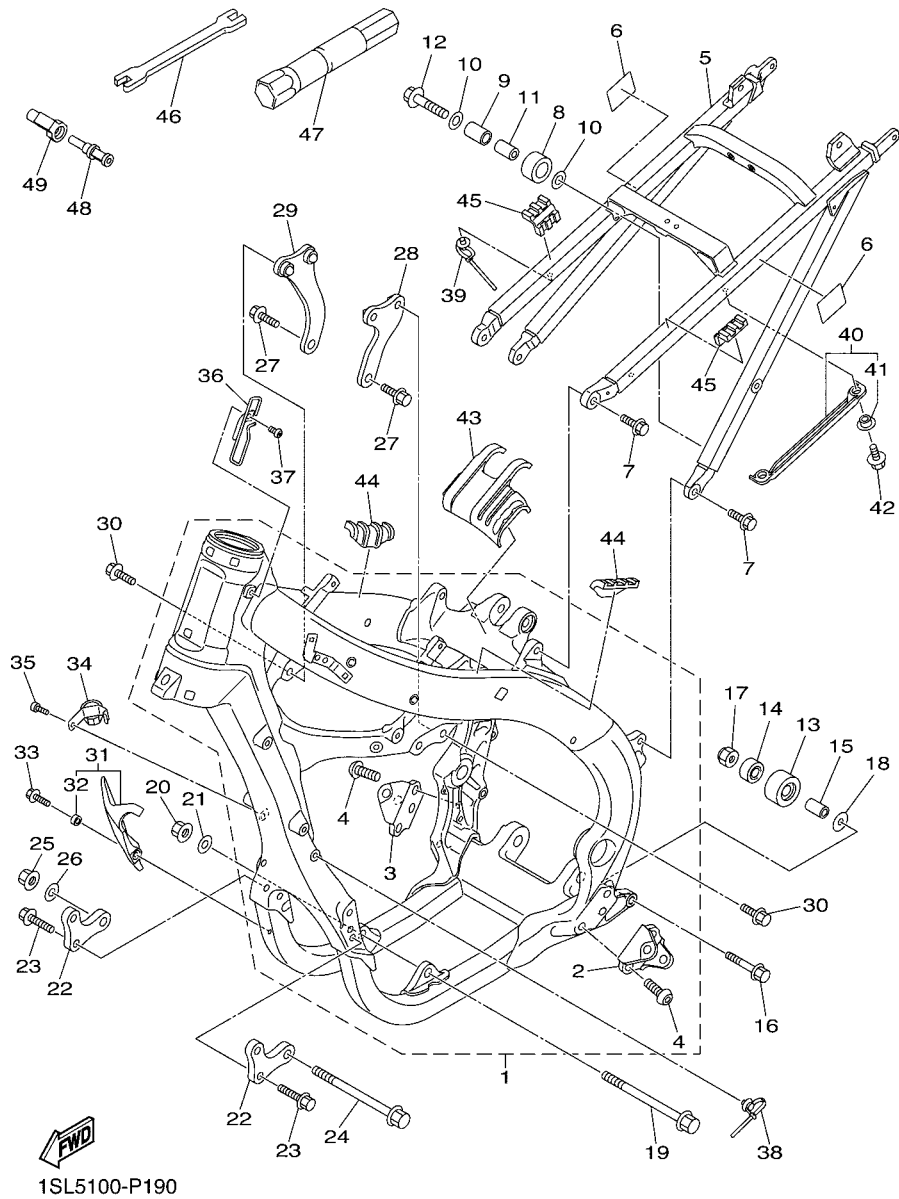
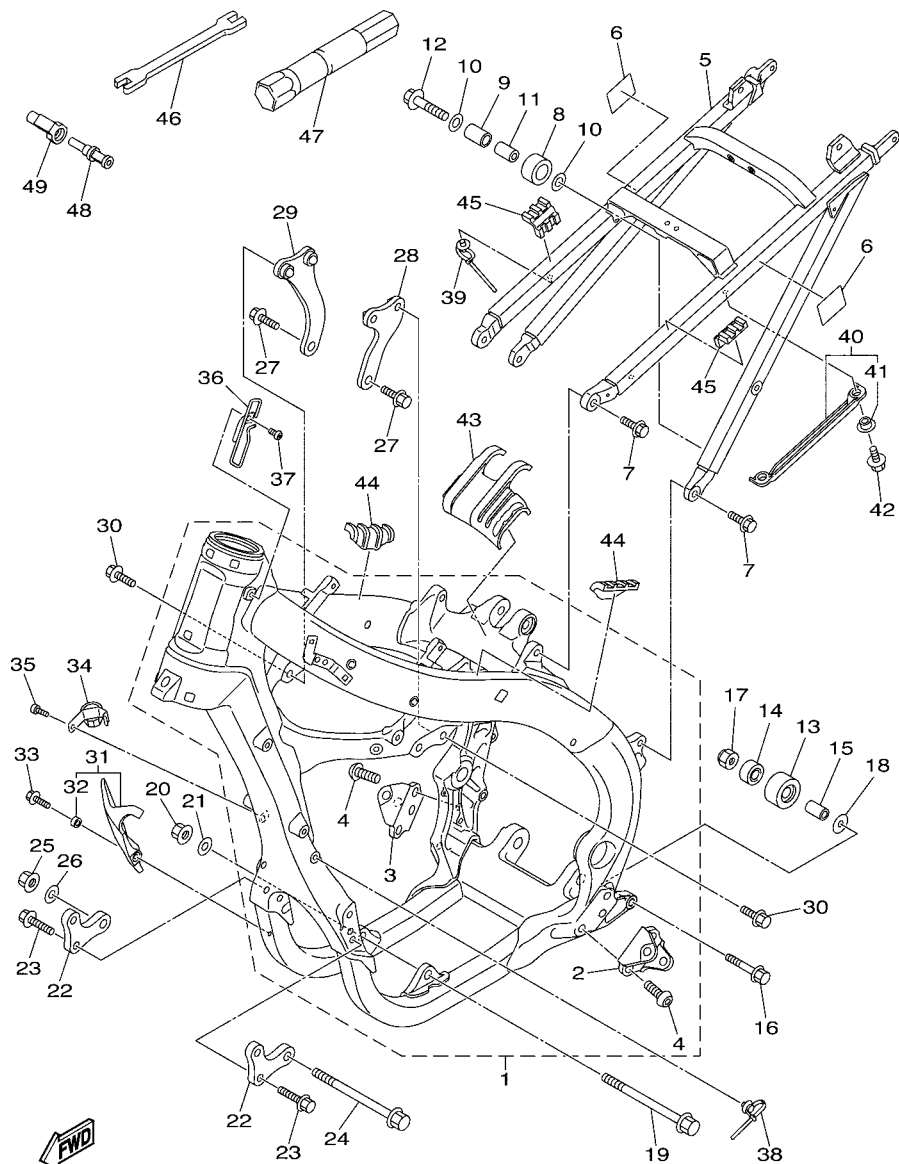


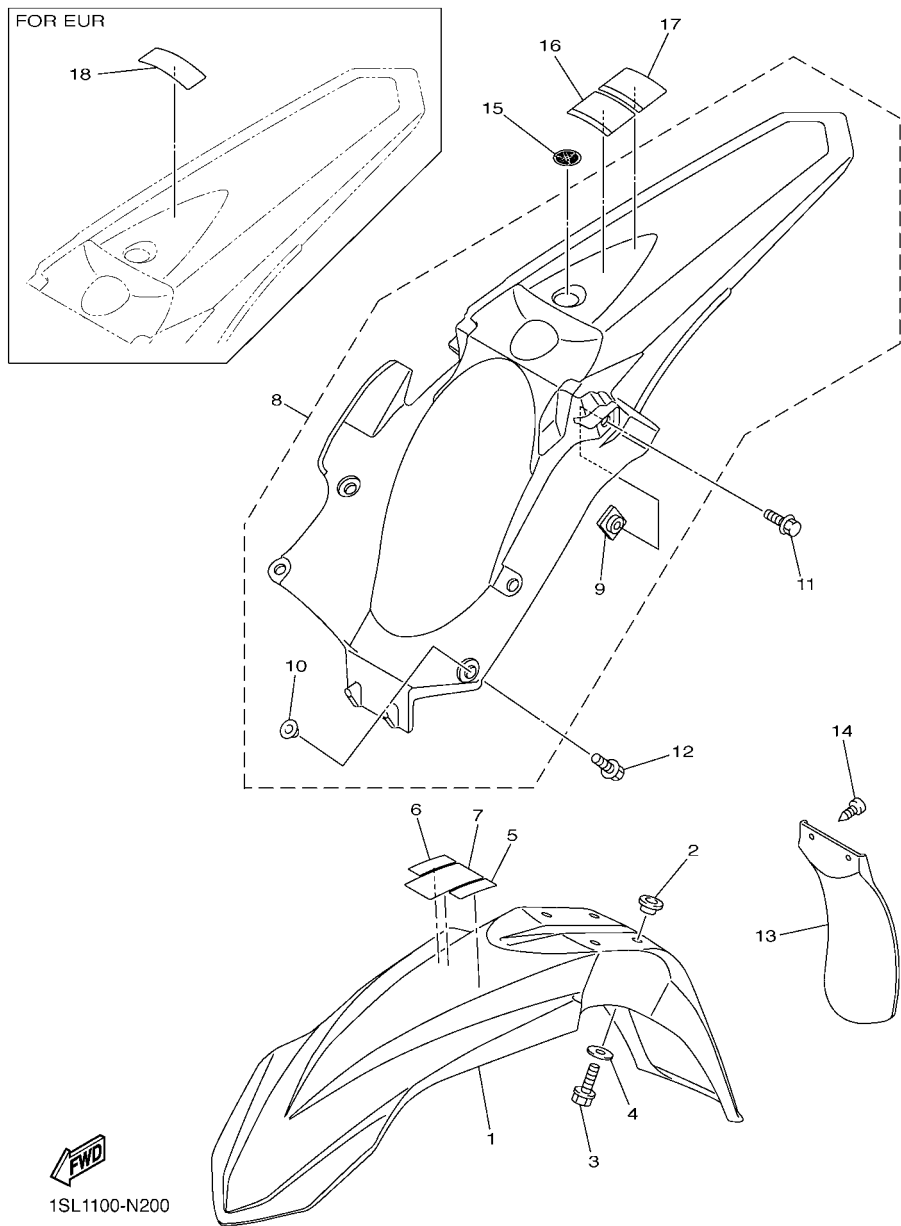
FIG. 19 FRAME

REF. NO.	PART NO.	DESCRIPTION	1SL5	1SL6	1SL7	1SL8	REMARKS
28	1SL-21425-00	BRACKET, REAR UPPER 1	1	1	1	1	
29	1SL-21426-00	BRACKET, REAR UPPER 2	1	1	1	1	
30	90105-08143	BOLT, FLANGE	4	4	4	4	
31	1SL-21471-00	PROTECTOR, ENGINE	1	1	1	1	
32	90387-06106	.COLLAR	1	1	1	1	
33	90105-06203	BOLT, FLANGE	1	1	1	1	
34	1SL-21335-00	CLAMP, WIRE HARNESS 1	1	1	1	1	
35	91312-05008	BOLT	1	1	1	1	
36	1SL-21163-00	HOLDER, CLUTCH CABLE	1	1	1	1	
37	92012-06010	BOLT, BUTTON HEAD	1	1	1	1	
38	90464-31002	CLAMP	1	1	1	1	
39	90464-31002	CLAMP	1	1	1	1	
40	1SL-2171E-00	COVER, SIDE 5	1	1	1	1	
41	90387-065T2	.COLLAR	2	2	2	2	
42	95022-06016	BOLT, FLANGE	2	2	2	2	
43	1SL-24181-00	DAMPER, LOCATING 1	1	1	1	1	
44	33D-24182-00	DAMPER, LOCATING 2	2	2	2	2	
45	33D-24183-00	DAMPER, LOCATING 3	2	2	2	2	
46	5ET-28166-10	WRENCH, HEXAGON	1	1	1	1	
47	5SL-2814F-00	BOX, SPARK PLUG	1	1	1	1	
48	18P-2467E-00	CAP	1	1	1	1	
49	18P-2464V-00	CASE, CAP	1	1	1	1	



1SL5100-P190

FIG. 20 FENDER



1SL1100-N200

REF. NO.	PART NO.	DESCRIPTION	1SL5	1SL6	1SL7	1SL8	REMARKS
1	17D-21511-50	FENDER, FRONT	1	1	1	1	UR FOR DPBSE
	17D-21511-60	FENDER, FRONT	1			1	UR FOR PWS1
2	90387-06259	COLLAR	4	4	4	4	
3	90105-06127	BOLT, FLANGE	4	4	4	4	
4	90201-06108	WASHER, PLATE	4	4	4	4	
5	3FB-2415E-02	LABEL, CAUTION	1				
	3FB-2415E-C1	LABEL, CAUTION			1		JAPANESE
6	3FB-2415E-12	LABEL, CAUTION	1				
7	4SR-2416E-00	LABEL, CAUTION CANADA	1				
8	1SL-21610-00	REAR FENDER COMP.	1	1	1	1	UR FOR DPBSE
	1SL-21610-10	REAR FENDER COMP.	1			1	UR FOR PWS1
9	5XE-21635-10	.NUT, REAR FENDER	2	2	2	2	
10	5BE-21749-00	.COLLAR	4	4	4	4	
11	90105-06100	BOLT, FLANGE	2	2	2	2	
12	90119-06268	BOLT, WITH WASHER	4	4	4	4	
13	17D-21642-00	GUARD, FLAP	1	1	1	1	
14	97702-60016	SCREW, TAPPING	2	2	2	2	
15	5FK-2175C-30	TUNING FORK MARK	1	1	1	1	
16	5PA-2118K-00	LABEL, CAUTION	1			1	
	5PA-2118K-20	LABEL, CAUTION			1		JAPANESE
17	5PA-2118K-10	LABEL, CAUTION	1				
18	5PG-2816R-00	LABEL, WARNING GENERAL INFO.		1			

FIG. 21 SIDE COVER

REF. NO.	PART NO.	DESCRIPTION	1SL5	1SL6	1SL7	1SL8	REMARKS
1	1SL-21710-00	SIDE COVER ASSY 1	1	1	1	1	
2	90387-08057	.COLLAR	1	1	1	1	
3	5TA-21749-00	.COLLAR	1	1	1	1	
4	1SL-2176M-00	.HOOK	1	1	1	1	
5	97702-40012	.SCREW, TAPPING	2	2	2	2	
6	90105-08230	BOLT, FLANGE	1	1	1	1	
7	90119-06096	BOLT, WITH WASHER	1	1	1	1	
8	1SL-21720-00	SIDE COVER ASSY 2	1	1	1	1	
9	90387-08057	.COLLAR	1	1	1	1	
10	5BE-21749-00	.COLLAR	1	1	1	1	
11	5TA-21749-00	.COLLAR	1	1	1	1	
12	1SL-21719-00	.GROMMET	3	3	3	3	
13	1DX-21746-00	.DAMPER	1	1	1	1	
14	90387-06M31	.COLLAR	1	1	1	1	
15	90105-08230	BOLT, FLANGE	1	1	1	1	
16	90119-06096	BOLT, WITH WASHER	2	2	2	2	
17	1SL-217R0-20	SIDE COVER INSERT ASSY. 3	1	1	1	1	UR FOR DPBSE
	1SL-217R0-30	SIDE COVER INSERT ASSY. 3	1			1	UR FOR PWS1
	1SL-21730-00	SIDE COVER ASSY 3(WO/GRAPHIC)	1	1	1	1	AP PWS1
18	17D-21749-00	.COLLAR	2	2	2	2	
19	90387-11009	.COLLAR	1	1	1	1	
20	90387-06372	.COLLAR	1	1	1	1	
21	1SL-21748-00	.COLLAR	1	1	1	1	
22	90480-10068	.GROMMET	1	1	1	1	
23	1SL-217S0-20	SIDE COVER INSERT ASSY. 4	1	1	1	1	UR FOR DPBSE
	1SL-217S0-30	SIDE COVER INSERT ASSY. 4	1			1	UR FOR PWS1
	1SL-21740-01	SIDE COVER ASSY 4	1	1	1	1	AP PWS1

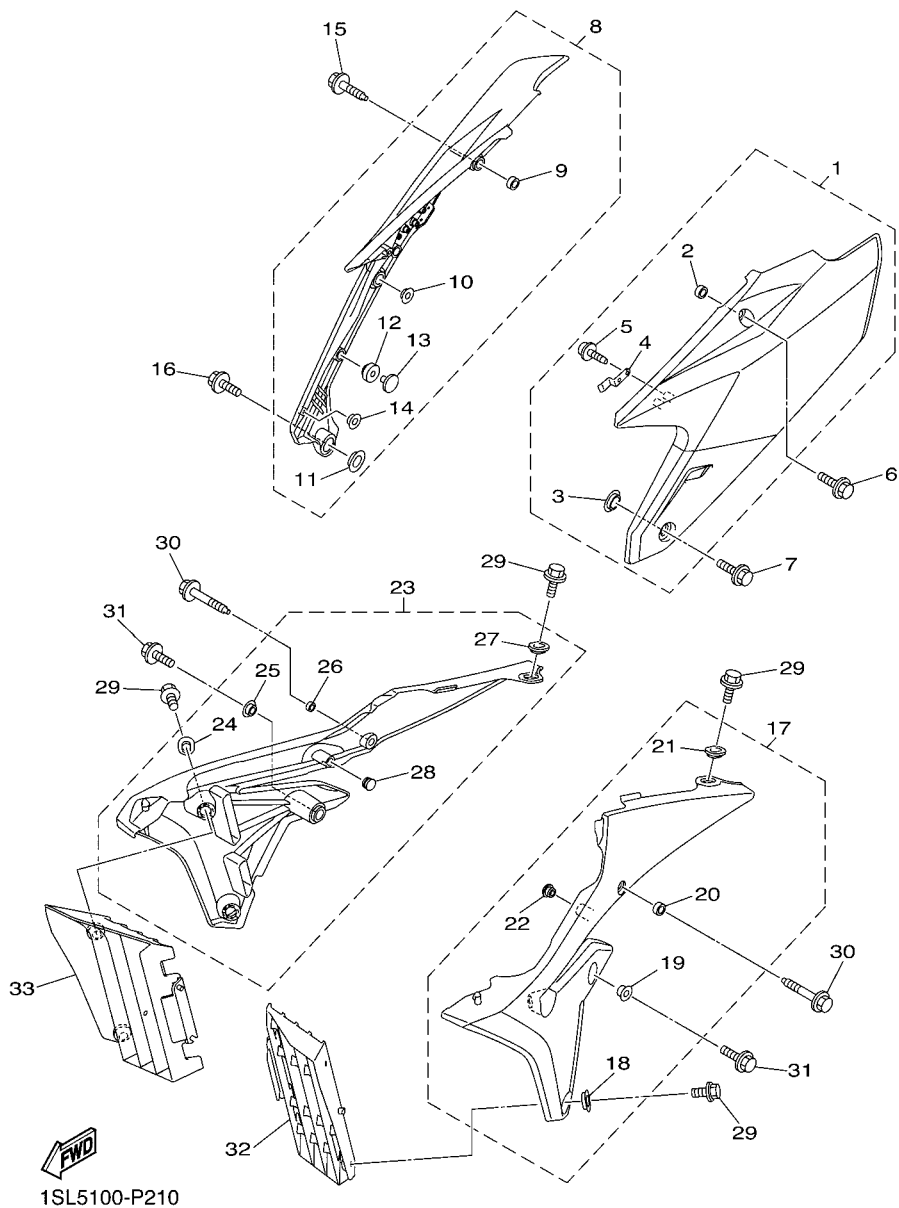
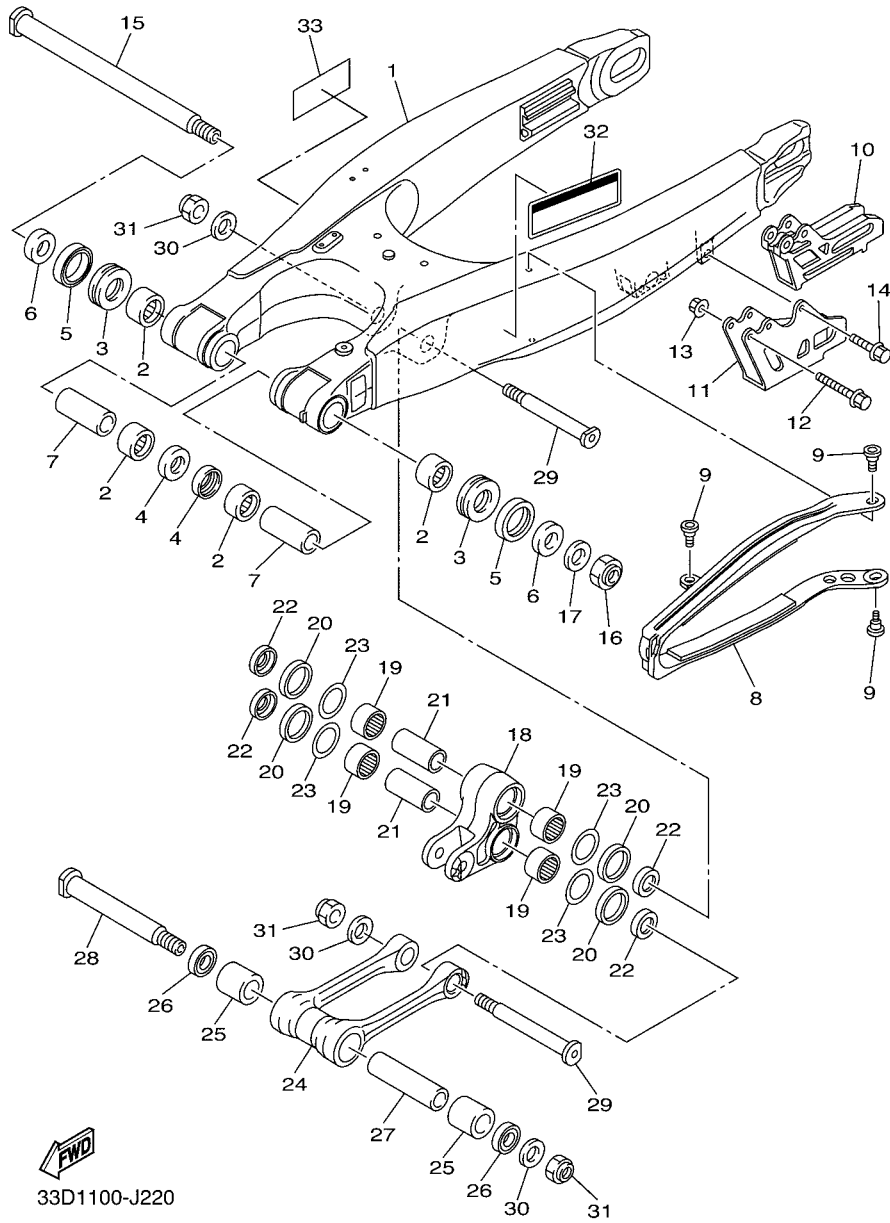
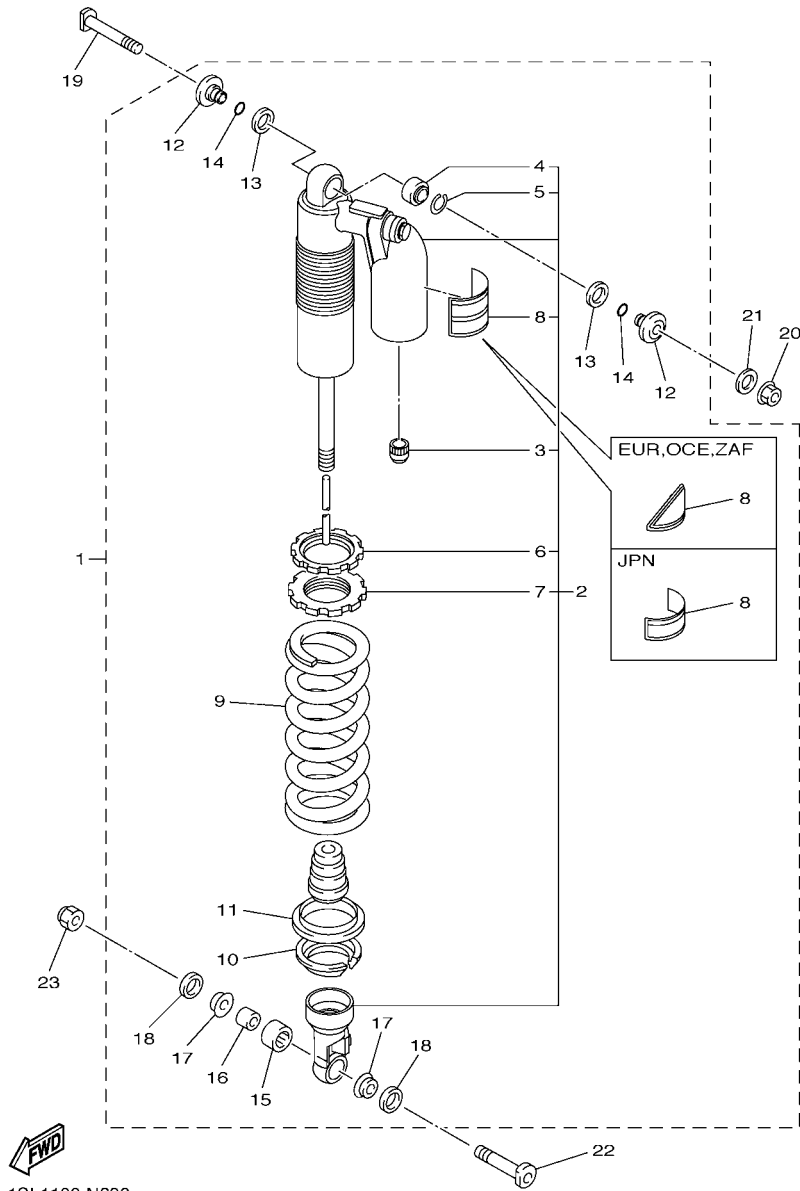


FIG. 22 REAR ARM



33D1100-J220

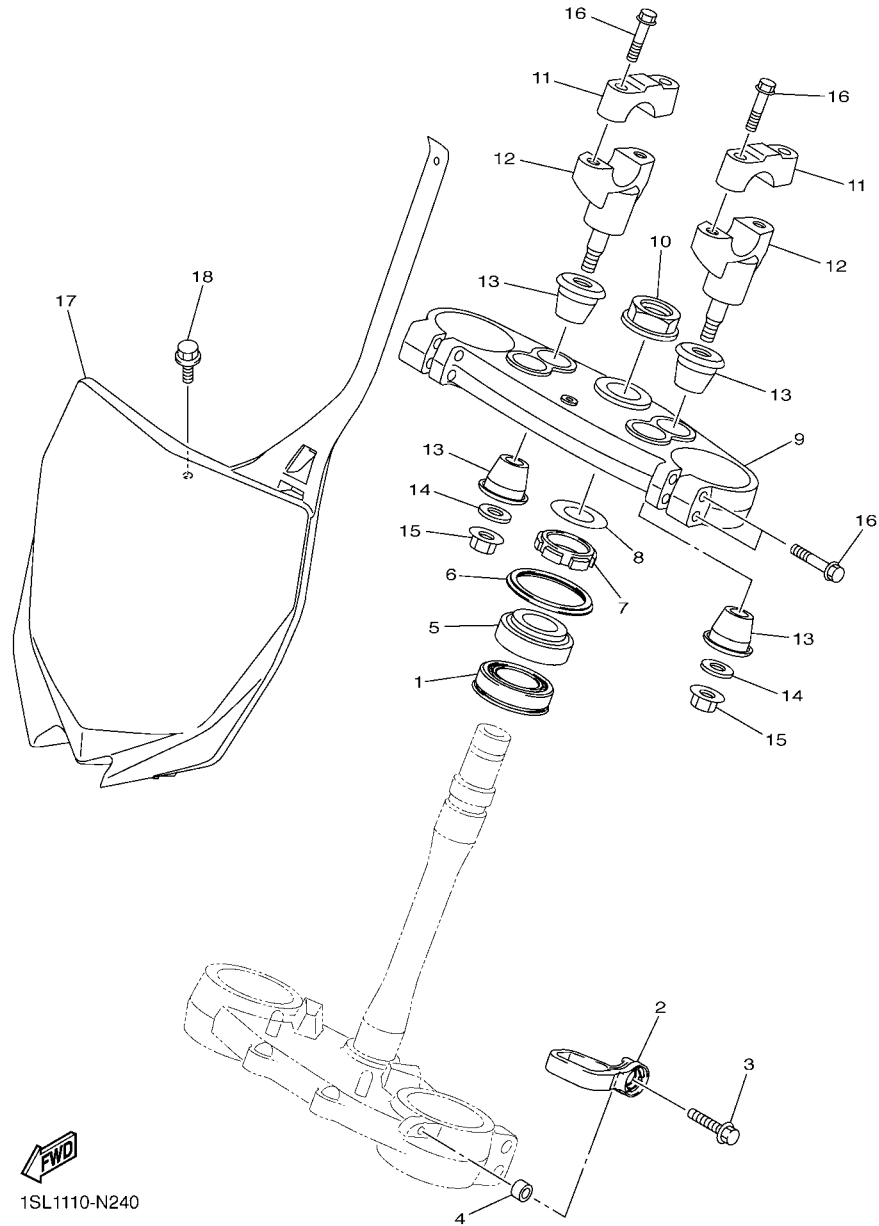
REF. NO.	PART NO.	DESCRIPTION	1SL5	1SL6	1SL7	1SL8	REMARKS
1	1SL-22110-00	REAR ARM COMP.	1	1	1	1	
2	93317-22262	BEARING	4	4	4	4	
3	93342-22217	BEARING	2	2	2	2	
4	93106-22002	OIL SEAL	2	2	2	2	
5	93109-28043	OIL SEAL	2	2	2	2	
6	90387-17016	COLLAR	2	2	2	2	
7	90387-1714S	COLLAR	2	2	2	2	
8	34P-22151-01	SEAL, GUARD	1	1	1	1	
9	1C3-22969-90	SCREW, 1	3	3	3	3	
10	2S2-22199-70	SUPPORT, CHAIN	1	1	1	1	
11	2S2-22128-70	COVER, THRUST 1	1	1	1	1	
12	90105-06104	BOLT, FLANGE	2	2	2	2	
13	95702-06500	NUT, FLANGE	2	2	2	2	
14	90105-06105	BOLT, FLANGE	1	1	1	1	
15	33D-22141-00	SHAFT, PIVOT	1	1	1	1	
16	90185-16002	NUT, SELF-LOCKING	1	1	1	1	
17	90201-16018	WASHER, PLATE	1	1	1	1	
18	17D-2217A-00	ARM, RELAY	1	1	1	1	
19	93315-32166	BEARING	4	4	4	4	
20	93109-25001	OIL SEAL	4	4	4	4	
21	90387-16026	COLLAR	2	2	2	2	
22	90209-16011	WASHER	4	4	4	4	
23	90201-21014	WASHER, PLATE	4	4	4	4	
24	33D-2217F-00	ROD, CONNECTING 1	1	1	1	1	
25	93315-32166	BEARING	2	2	2	2	
26	93109-21001	OIL SEAL	2	2	2	2	
27	90387-14016	COLLAR	1	1	1	1	



1SL1100-N230

FIG. 23 REAR SUSPENSION

REF. NO.	PART NO.	DESCRIPTION	1SL5	1SL6	1SL7	1SL8	REMARKS
1	1SL-22200-60	SHOCK ABSORBER ASSY, REAR	1				UR FOR DPBSE
	1SL-22200-70	SHOCK ABSORBER ASSY, REAR	1				UR FOR PWS1
	1SL-22200-20	SHOCK ABSORBER ASSY, REAR		1		1	UR FOR DPBSE
	1SL-22200-30	SHOCK ABSORBER ASSY, REAR				1	UR FOR PWS1
	1SL-22200-40	SHOCK ABSORBER ASSY, REAR			1		
2	1SL-22201-30	.DAMPER SUB ASSY	1				
	1SL-22201-10	.DAMPER SUB ASSY		1		1	
	1SL-22201-20	.DAMPER SUB ASSY			1		
3	509-23184-L0	..CAP, AIR VALVE	1	1	1	1	
4	4JX-22226-00	..BUSH, SHOCK ABSORBER LOWER	1	1	1	1	
5	5DH-23183-00	..CIRCLIP	1	1	1	1	
6	33D-22234-00	..GUIDE, SPRING 3	1	1	1	1	
7	1SL-22213-00	..SEAT, SPRING UPPER	1	1	1	1	
8	4AA-22259-70	..LABEL, WARNING	1				
	4AA-22259-40	..LABEL, WARNING		1		1	
	4AA-22259-50	..LABEL, WARNING				1	
9	1SL-22212-00	.SPRING (K=58 BLUE)	1				UR FOR DPBSE
	1SL-22212-10	.SPRING (K=58 RED)	1				UR FOR PWS1
	1SL-22212-20	.SPRING (K=56 BLUE)		1	1	1	UR FOR DPBSE
	1SL-22212-30	.SPRING (K=56 RED)				1	UR FOR PWS1
10	33D-22214-00	..GUIDE, SPRING 1	1	1	1	1	
11	33D-22224-00	..GUIDE, SPRING 2	1	1	1	1	
12	1C3-22253-50	..COLLAR, DISTANCE	2	2	2	2	
13	3JE-22475-00	..SEAL, DUST	2	2	2	2	
14	4EW-22474-00	..SEAL, RING	2	2	2	2	
15	5UN-22176-00	..BEARING	1	1	1	1	
16	5MV-22184-00	..BUSH	1	1	1	1	



1SL1110-N240

FIG. 24 STEERING

REF. NO.	PART NO.	DESCRIPTION	1SL5	1SL6	1SL7	1SL8	REMARKS
1	93332-00081	BEARING	1	1	1	1	
2	17D-23389-50	GUIDE, CABLE	1	1	1	1	
3	90105-06170	BOLT, FLANGE	1	1	1	1	
4	90387-06105	COLLAR	1	1	1	1	
5	93332-00068	BEARING	1	1	1	1	
6	17D-23416-50	COVER, BALL RACE 2	1	1	1	1	
7	90179-28015	NUT	1	1	1	1	
8	90201-286K9	WASHER, PLATE (T1.0)	1	1	1	1	
9	1SL-23435-00	CROWN, HANDLE	1	1	1	1	
10	90179-24004	NUT	1	1	1	1	
11	18P-23441-00	HOLDER, HANDLE UPPER	2	2	2	2	
12	1SL-23442-00	HOLDER, HANDLE LOWER	2	2	2	2	
13	1SL-23434-00	HOLDER, DAMPER	4	4	4	4	
14	90201-10035	WASHER, PLATE	2	2	2	2	
15	95602-10200	NUT, U FLANGE	2	2	2	2	
16	90105-08154	BOLT, FLANGE	8	8	8	8	
17	17D-23485-50	PLATE, NUMBER	1	1	1	1	
18	90105-06064	BOLT, FLANGE	1	1	1	1	

FIG. 25 FRONT FORK

REF. NO.	PART NO.	DESCRIPTION	1SL5	1SL6	1SL7	1SL8	REMARKS
1	1SL-23102-20	FRONT FORK ASSY (L.H)	1				
	1SL-23102-10	FRONT FORK ASSY (L.H)		1	1	1	
2	33D-23136-00	.TUBE, OUTER	1				
	1SL-23136-00	.TUBE, OUTER		1	1	1	
3	17D-23153-00	.RING, SNAP	1	1	1	1	
4	1SL-23120-00	.INNER TUBE COMP. (L.H.)	1	1	1	1	
5	5XE-23171-L0	.PISTON, FRONT FORK	1	1	1	1	
6	5XE-23125-L0	.METAL, SLIDE 1	1	1	1	1	
7	5XC-23146-10	.WASHER, OIL SEAL	1	1	1	1	
8	17D-23145-00	.OIL SEAL	1	1	1	1	
9	5XE-23153-L0	.RING, SNAP	1	1	1	1	
10	5XE-23144-L0	.SEAL, DUST	1	1	1	1	
11	1SL-23170-00	.CYLINDER COMP., FRONT FORK	1				
	1SL-23170-10	.CYLINDER COMP., FRONT FORK		1	1	1	
12	1C3-23147-L0	..O-RING	1	1	1	1	
13	17D-23142-00	..SEAT, SPRING UPPER	1	1	1	1	
14	1SL-2316A-20	.VALVE COMP.	1				
	1SL-2316A-10	.VALVE COMP.		1	1	1	
15	1C3-23188-L0	..O-RING	1	1	1	1	
16	1C3-23188-N0	..O-RING	1	1	1	1	
17	1C3-23188-P0	..O-RING	1	1	1	1	
18	1C3-23188-R0	..O-RING	1	1	1	1	
19	1AE-23147-00	..O-RING	2	2	2	2	
20	1C3-23190-L0	..AIR VALVE COMP.	1	1	1	1	
21	1SL-23141-90	.SPRING, FRONT FORK	1				
	1SL-23141-10	.SPRING, FRONT FORK		1	1	1	
22	5XC-23111-00	.BOLT, CAP	1	1	1	1	

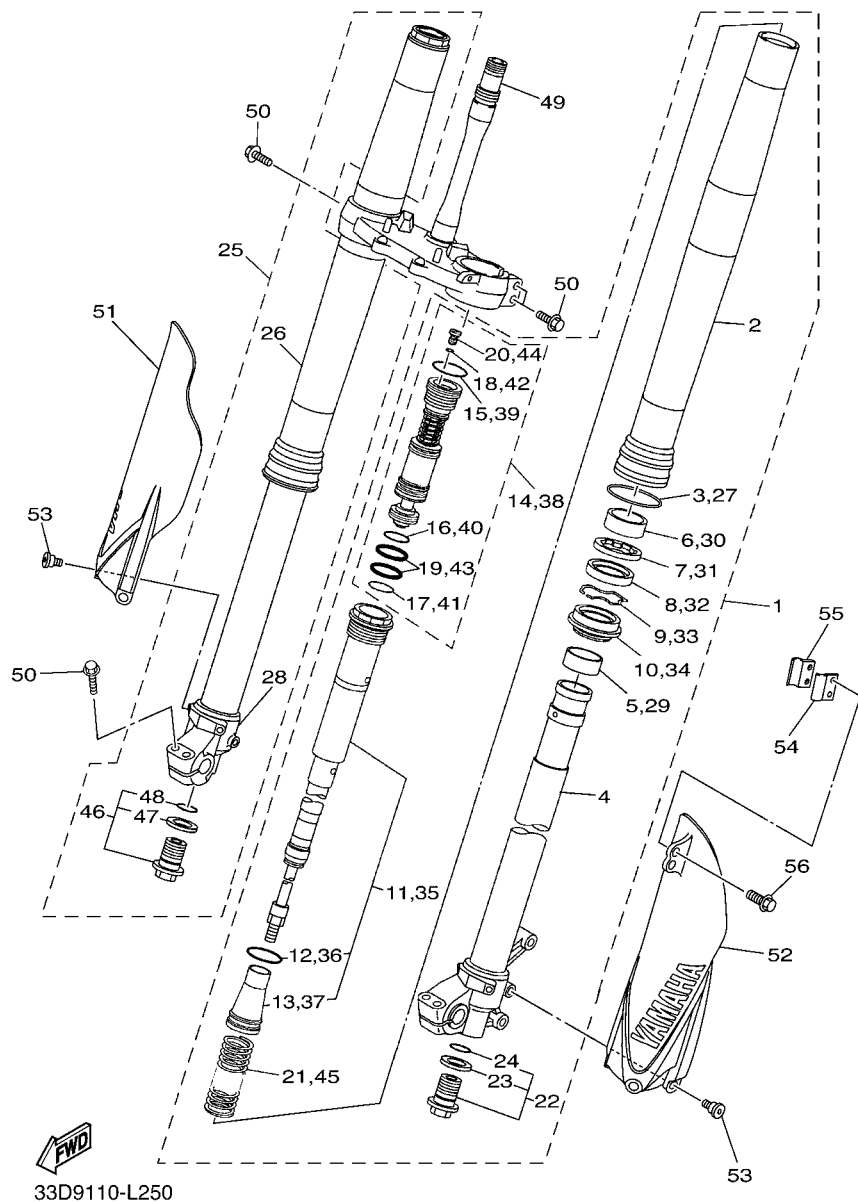
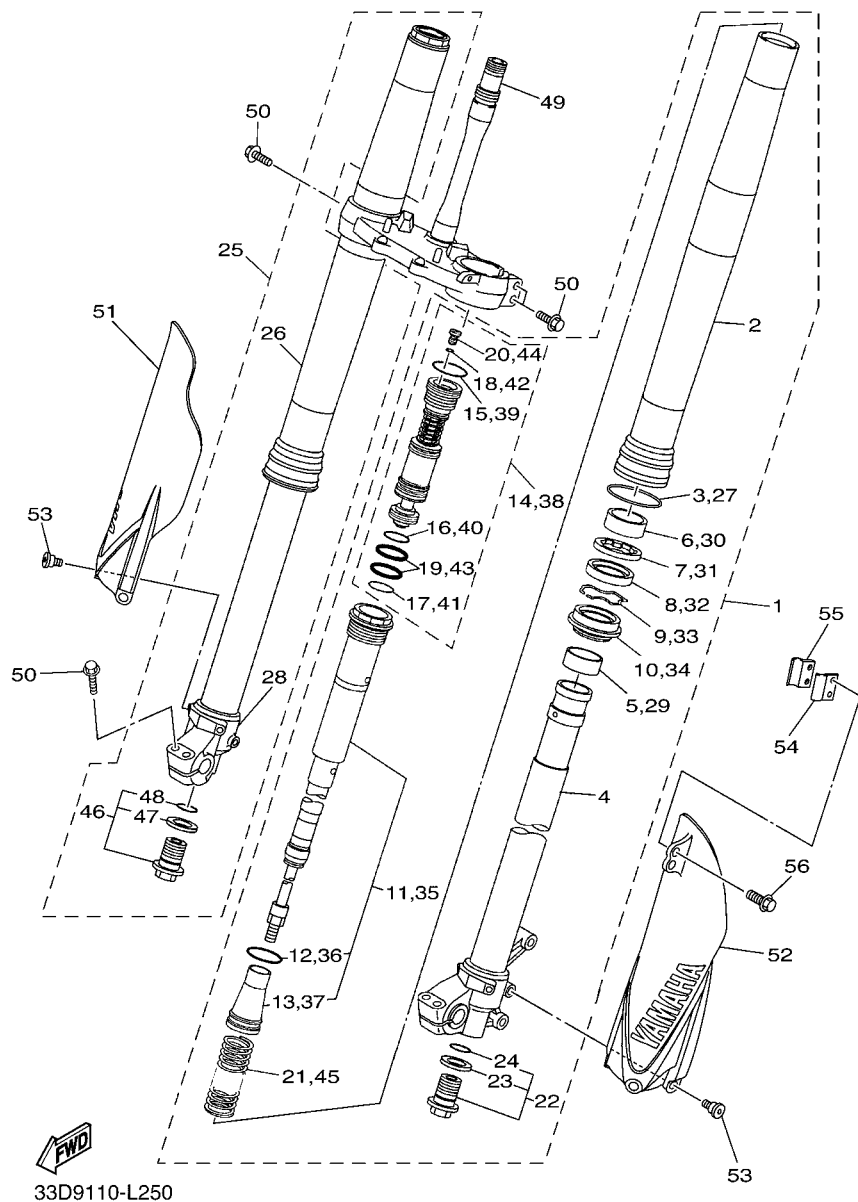


FIG. 25 FRONT FORK

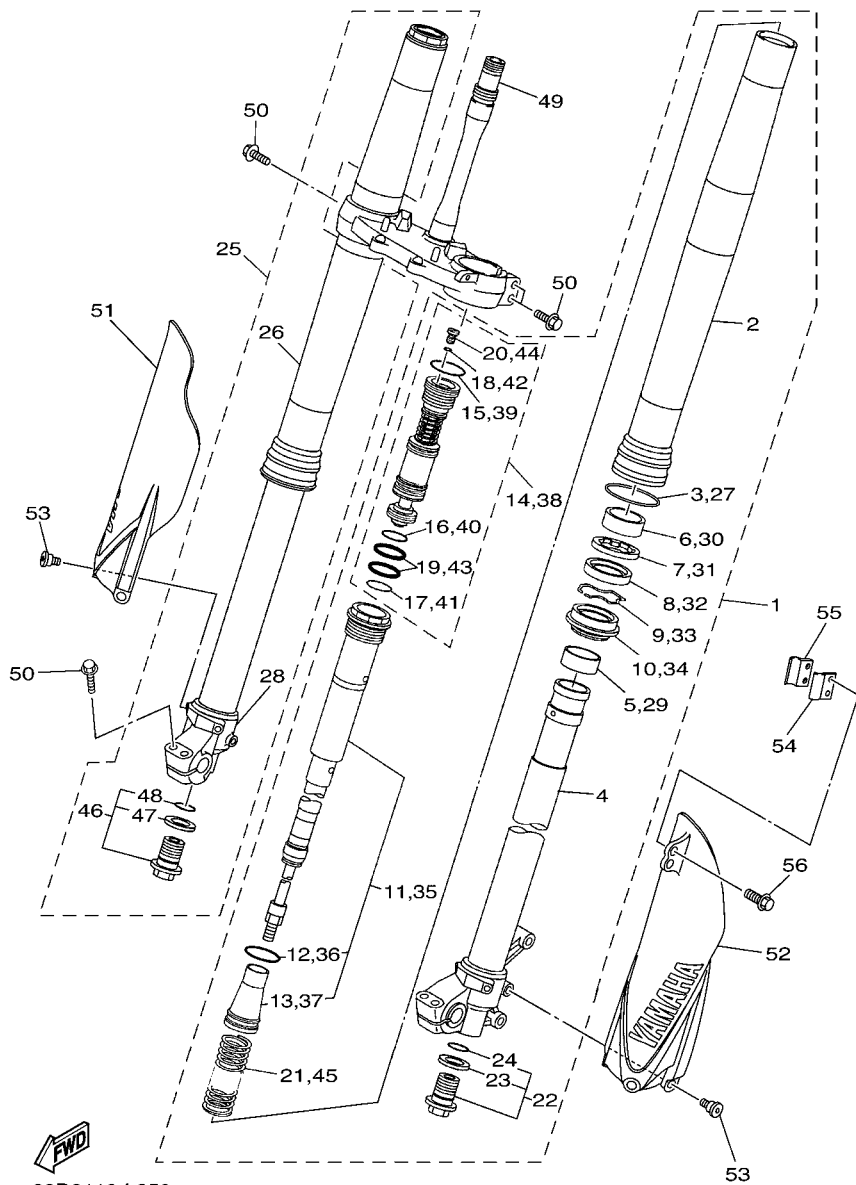


33D9110-L250

REF. NO.	PART NO.	DESCRIPTION	1SL5	1SL6	1SL7	1SL8	REMARKS
23	2HH-23158-L0	..GASKET	1	1	1	1	
24	276-23114-00	..GASKET	1	1	1	1	
25	1SL-23103-20	FRONT FORK ASSY (R.H)	1				
	1SL-23103-10	FRONT FORK ASSY (R.H)		1	1	1	
26	33D-23136-00	.TUBE, OUTER	1				
	1SL-23136-00	.TUBE, OUTER		1	1	1	
27	17D-23153-00	.RING, SNAP	1	1	1	1	
28	1SL-23110-00	.INNER TUBE COMP. (R.H.)	1	1	1	1	
29	5XE-23171-L0	.PISTON, FRONT FORK	1	1	1	1	
30	5XE-23125-L0	.METAL, SLIDE 1	1	1	1	1	
31	5XC-23146-10	.WASHER, OIL SEAL	1	1	1	1	
32	17D-23145-00	.OIL SEAL	1	1	1	1	
33	5XE-23153-L0	.RING, SNAP	1	1	1	1	
34	5XE-23144-L0	.SEAL, DUST	1	1	1	1	
35	1SL-23170-00	.CYLINDER COMP., FRONT FORK	1				
	1SL-23170-10	.CYLINDER COMP., FRONT FORK		1	1	1	
36	1C3-23147-L0	..O-RING	1	1	1	1	
37	17D-23142-00	..SEAT, SPRING UPPER	1	1	1	1	
38	1SL-2316A-20	.VALVE COMP.	1				
	1SL-2316A-10	.VALVE COMP.		1	1	1	
39	1C3-23188-L0	..O-RING	1	1	1	1	
40	1C3-23188-N0	..O-RING	1	1	1	1	
41	1C3-23188-P0	..O-RING	1	1	1	1	
42	1C3-23188-R0	..O-RING	1	1	1	1	
43	1AE-23147-00	..O-RING	2	2	2	2	
44	1C3-23190-L0	..AIR VALVE COMP.	1	1	1	1	
45	1SL-23141-90	.SPRING, FRONT FORK	1				

FIG. 25 FRONT FORK

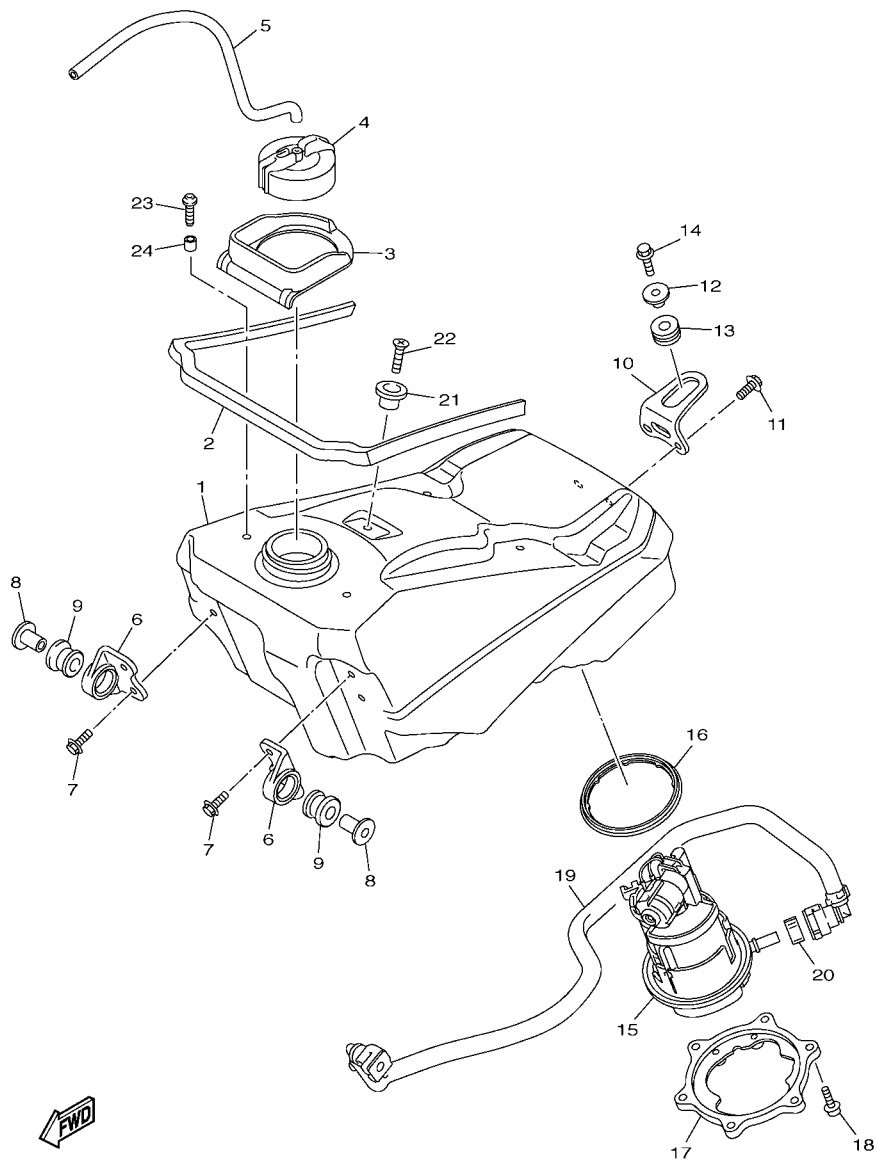
REF. NO.	PART NO.	DESCRIPTION	1SL5	1SL6	1SL7	1SL8	REMARKS
45	1SL-23141-10	.SPRING, FRONT FORK		1	1	1	
46	5XC-23111-00	.BOLT, CAP	1	1	1	1	
47	2HH-23158-L0	..GASKET	1	1	1	1	
48	276-23114-00	..GASKET	1	1	1	1	
49	33D-23340-00	UNDER BRACKET COMP.	1	1	1	1	
50	90105-08154	BOLT, FLANGE	8	8	8	8	
51	17D-2315J-50	PROTECTOR 2	1	1	1	1	
52	17D-2315H-50	PROTECTOR 1	1	1	1	1	
53	90109-06232	BOLT	6	6	6	6	
54	17D-23466-00	CLAMP	1	1	1	1	
55	17D-23467-00	CLAMP	1	1	1	1	
56	90105-06170	BOLT, FLANGE	2	2	2	2	



33D9110-L250

FIG. 26 FUEL TANK

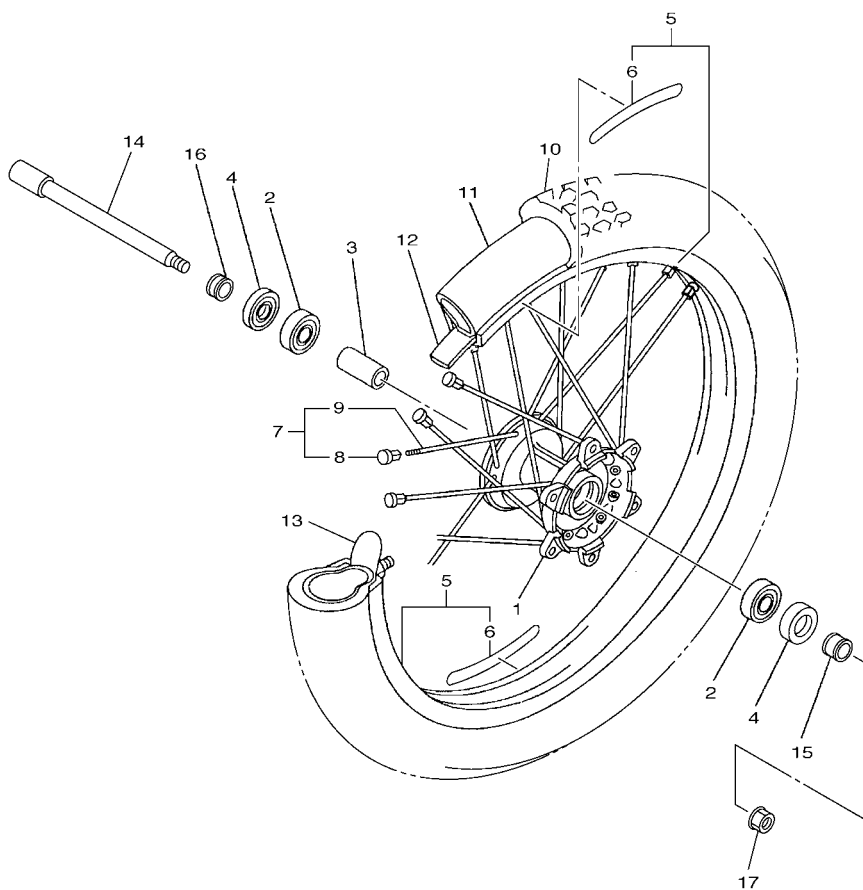
REF. NO.	PART NO.	DESCRIPTION	1SL5	1SL6	1SL7	1SL8	REMARKS
1	1SL-24110-00	FUEL TANK COMP.	1	1	1	1	
2	1S4-2414J-00	DAMPER, PLATE 2	3	3	3	3	
3	1SL-24188-00	MOLD, FUEL TANK	1	1	1	1	
4	1SL-24610-00	CAP ASSY	1	1	1	1	
5	90445-09008	HOSE (L470)	1	1	1	1	
6	1SL-24115-00	STAY, FUEL TANK 1	2	2	2	2	
7	90105-06170	BOLT, FLANGE	4	4	4	4	
8	90387-06091	COLLAR	2	2	2	2	
9	90480-18549	GROMMET	2	2	2	2	
10	1SL-2419A-00	HOLDER	1	1	1	1	
11	90105-06170	BOLT, FLANGE	2	2	2	2	
12	90387-066Y6	COLLAR	1	1	1	1	
13	90480-10289	GROMMET	1	1	1	1	
14	95022-06020	BOLT, FLANGE	1	1	1	1	
15	33D-13907-00	FUEL PUMP COMP.	1	1	1	1	
16	33D-24486-00	O-RING	1	1	1	1	
17	33D-24491-00	BRACKET, FUEL PUMP	1	1	1	1	
18	90110-05058	BOLT, HEXAGON SOCKET HEAD	6	6	6	6	
19	1SL-13971-00	PIPE, FUEL 1	1	1	1	1	
20	33D-24135-00	CLAMP 1	1	1	1	1	
21	4EW-2412F-00	BRACKET, SEAT	1	1	1	1	
22	98707-06025	SCREW, FLAT HEAD	1	1	1	1	
23	90111-06149	BOLT, HEX. SOCKET BUTTON	2	2	2	2	
24	90387-06284	COLLAR	2	2	2	2	



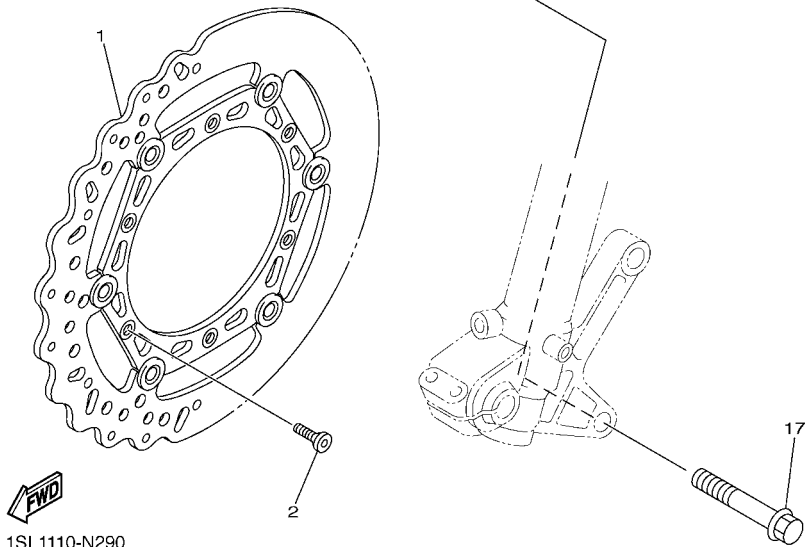
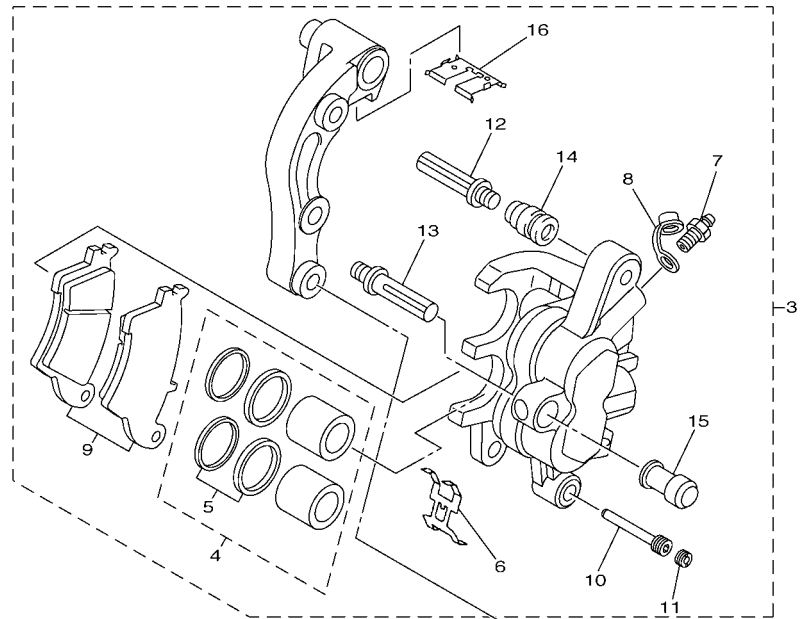
1SL1110-N260

FIG. 28 FRONT WHEEL

REF. NO.	PART NO.	DESCRIPTION	1SL5	1SL6	1SL7	1SL8	REMARKS
1	1SL-25111-00	HUB, FRONT	1	1	1	1	
2	93306-97203	BEARING	2	2	2	2	
3	1SL-25117-00	SPACER, BEARING	1	1	1	1	
4	93102-30014	OIL SEAL	2	2	2	2	
5	94416-21045	RIM (1.60-21)	1	1	1	1	
6	17D-2531B-00	.EMBLEM, WHEEL	2	2	2	2	
7	5NY-25104-00	SPOKE SET, FRONT	1	1	1	1	
8	5NY-25196-00	.SPOKE, INNER 1			36		
9	56A-25195-00	.NIPPLE, SPOKE			36		
10	94108-21053	TIRE (80/100-21 51M MX52F)	1			1	DUNLOP
*	TIRE (80/100-21 51R MST)			1			LM PIRELLI
*	TIRE(80/100-21 51M M601)				1		LM BRIDGESTONE
11	94227-21101	TUBE (80/100-21 M/C TR4)	1			1	DUNLOP
*	TUBE (80/100-21)			1			LM PIRELLI
*	TUBE (80/100-21 M/C TR4)				1		LM BRIDGESTONE
12	94309-21161	BAND, RIM (22-21)	1			1	DUNLOP
*	BAND, RIM (80/100-21)			1			LM PIRELLI
*	BAND,RIM (1.60-21)				1		LM BRIDGESTONE
13	5SF-25394-00	SPACER, BEAD	1	1	1	1	
14	1SL-25181-00	AXLE, WHEEL	1	1	1	1	
15	1SL-25183-00	COLLAR, WHEEL	1	1	1	1	
16	1SL-25186-00	COLLAR, WHEEL	1	1	1	1	
17	90179-18011	NUT	1	1	1	1	



1SL1100-N280



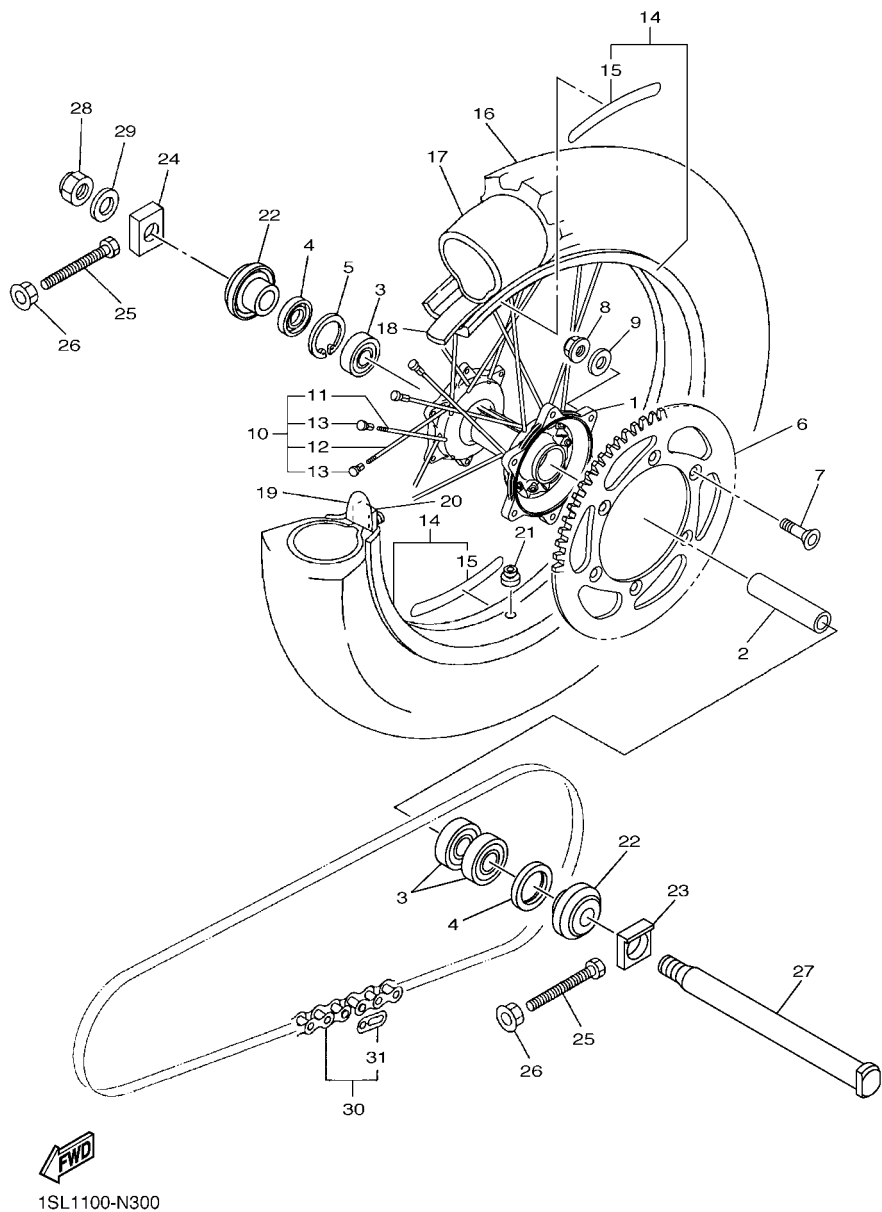
1SL1110-N290

FIG. 29 FRONT BRAKE CALIPER

REF. NO.	PART NO.	DESCRIPTION	1SL5	1SL6	1SL7	1SL8	REMARKS
1	5XC-2581T-G0	DISK BRAKE ASSY	1	1	1	1	
2	90151-06051	SCREW, COUNTERSUNK	6	6	6	6	
3	5XC-2580T-G0	CALIPER ASSY (LEFT)	1	1	1	1	
4	5XC-W0057-00	.PISTON ASSY, CALIPER	1	1	1	1	
5	5KM-W0047-10	..CALIPER SEAL KIT	1	1	1	1	
6	5DH-25919-00	.SUPPORT, PAD	1	1	1	1	
7	1UY-25824-51	.SCREW, BLEED	1	1	1	1	
8	1UY-25825-51	.CAP	1	1	1	1	
9	5XC-W0045-00	.BRAKE PAD KIT	1	1	1	1	
10	5DH-25933-00	.PIN, PAD	1	1	1	1	
11	5DH-25916-00	.PLUG	1	1	1	1	
12	3SP-25926-51	.BOLT	1	1	1	1	
13	3SP-25914-51	.PIN, SLIDE	1	1	1	1	
14	3JD-25917-00	.BOOT, CALIPER	1	1	1	1	
15	1UY-25937-51	.BOOT 2	1	1	1	1	
16	5XC-25849-G0	.RETAINER, CALIPER	1	1	1	1	
17	90105-08137	BOLT, FLANGE	2	2	2	2	

FIG. 30 REAR WHEEL

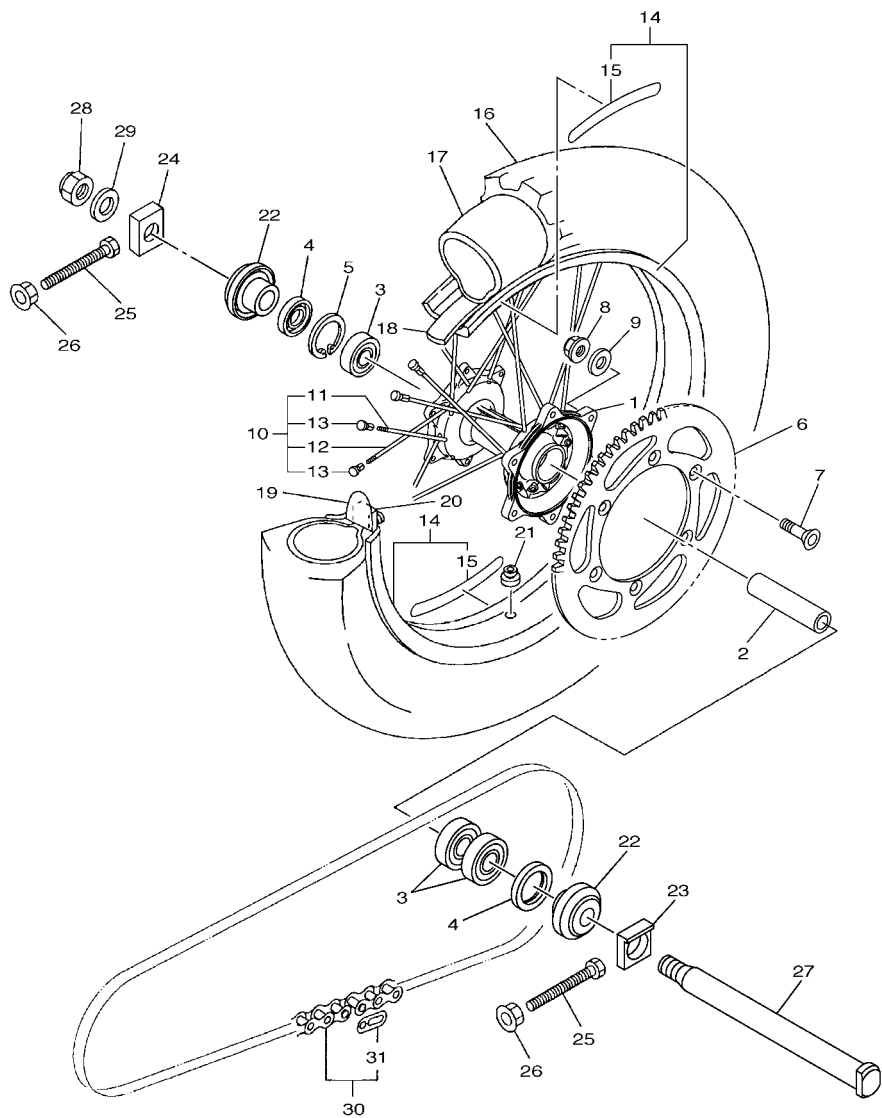
REF. NO.	PART NO.	DESCRIPTION	1SL5	1SL6	1SL7	1SL8	REMARKS
1	17D-25311-00	HUB, REAR	1	1	1	1	
2	17D-25317-00	SPACER, BEARING	1	1	1	1	
3	93306-90510	BEARING	3	3	3	3	
4	93102-32337	OIL SEAL	2	2	2	2	
5	99009-42700	CIRCLIP	1	1	1	1	
6	17D-25448-50	SPROCKET, DRIVEN (48T)	1	1	1	1	STD
	17D-25447-50	SPROCKET, DRIVEN (47T)	1	1	1	1	AP
	17D-25449-50	SPROCKET, DRIVEN (49T)	1	1	1	1	AP
	17D-25450-50	SPROCKET, DRIVEN (50T)	1	1	1	1	AP
	17D-25451-50	SPROCKET, DRIVEN (51T)	1	1	1	1	AP
	17D-25452-50	SPROCKET, DRIVEN (52T)	1	1	1	1	AP
7	90109-08078	BOLT	6	6	6	6	
8	90185-08008	NUT, SELF-LOCKING	6	6	6	6	
9	90201-08048	WASHER, PLATE	6	6	6	6	
10	34P-25304-00	SPOKE SET, REAR	1	1	1	1	
11	34P-25396-00	.SPOKE, INNER 2			18		
12	34P-25397-00	.SPOKE, OUTER 2			18		
13	5ET-25395-00	.NIPPLE, SPOKE			36		
14	94421-19013	RIM (2.15-19)	1	1	1	1	
15	17D-2531B-00	.EMBLEM, WHEEL	2	2	2	2	
16	94112-19011	TIRE	1			1	DUNLOP
	*	TIRE (110/90-19 62M NHS)		1			LM PIRELLI
	*	TIRE (110/90-19 62M M602)			1		LM BRIDGESTONE
17	94211-19273	TUBE (110/90-19 M/C TR4)	1			1	DUNLOP
	*	TUBE (110/90-19)		1			LM PIRELLI
	*	TUBE (110/90-19 M/C TR4)			1		LM BRIDGESTONE
18	94311-19155	BAND, RIM (2.5-19)	1			1	DUNLOP



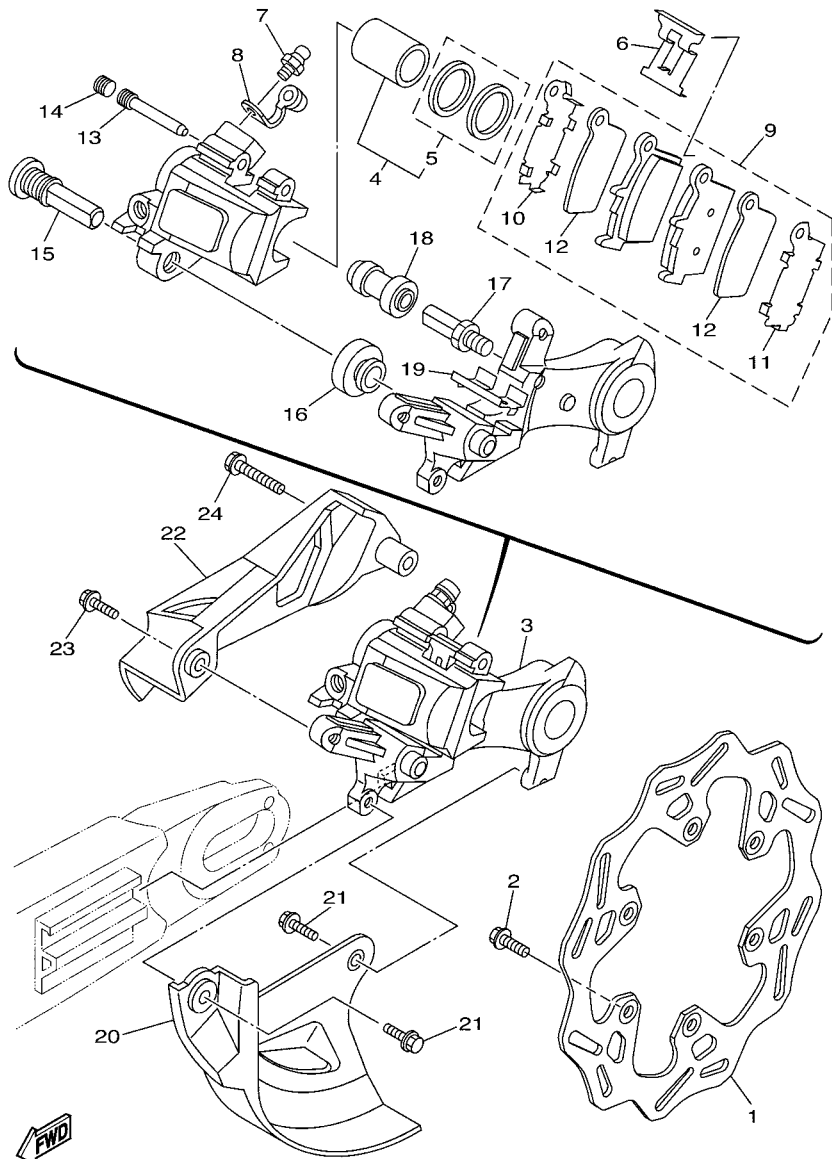
1SL1100-N300

FIG. 30 REAR WHEEL

REF. NO.	PART NO.	DESCRIPTION	1SL5	1SL6	1SL7	1SL8	REMARKS
18	*	BAND, RIM (3.50-18)		1			LM METZELER
	*	BAND, RIM (2.15-19)			1		LM BRIDGESTONE
19	3JE-25394-00	SPACER, BEAD	1	1	1	1	
20	4XM-25364-00	DAMPER	1	1	1	1	
21	90480-08608	GROMMET	1	1	1	1	
22	17D-2530S-00	COLLAR ASSY	2	2	2	2	
23	1SL-25388-00	PULLER, CHAIN 1	1	1	1	1	
24	1SL-25389-00	PULLER, CHAIN 2	1	1	1	1	
25	90101-08006	BOLT	2	2	2	2	
26	90179-08019	NUT	2	2	2	2	
27	17D-25381-00	AXLE, WHEEL	1	1	1	1	
28	90185-22011	NUT, SELF-LOCKING	1	1	1	1	
29	90201-22023	WASHER, PLATE	1	1	1	1	
30	9Y582-28113	CHAIN (DID520DMA2-114LL)	1	1	1	1	
31	94682-28001	.JOINT, CHAIN(DID520DM G&B-RJ)	1	1	1	1	



1SL1100-N300



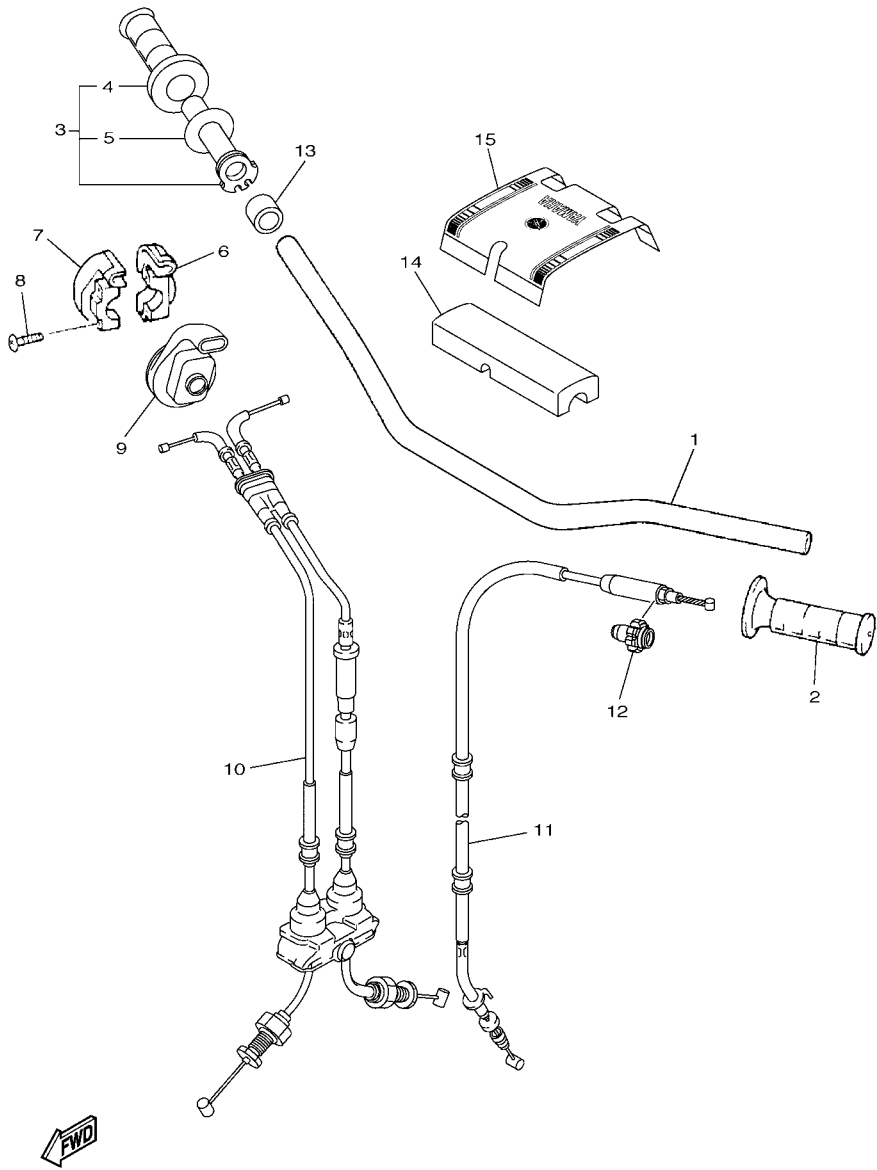
33DD110-M310

FIG. 31 REAR BRAKE CALIPER

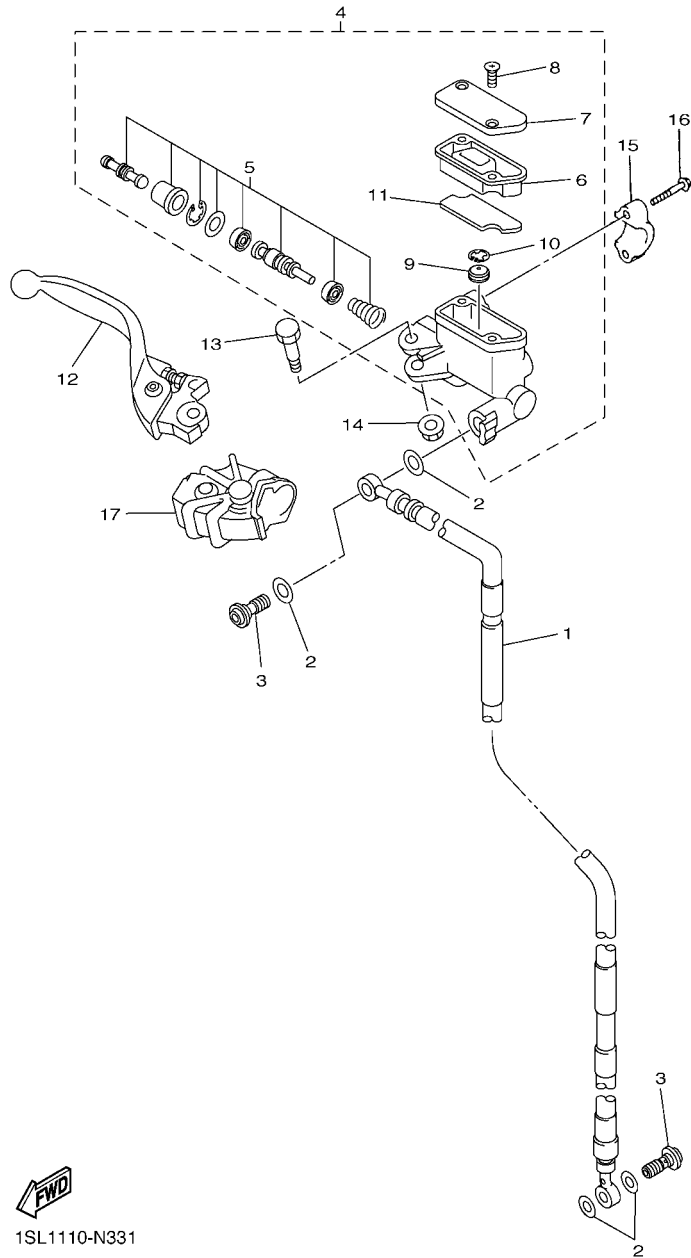
REF. NO.	PART NO.	DESCRIPTION	1SL5	1SL6	1SL7	1SL8	REMARKS
1	2S2-2582W-70	DISK, REAR BRAKE 2	1	1	1	1	
2	90105-06156	BOLT, FLANGE	6	6	6	6	
3	17D-2580W-01	CALIPER ASSY, REAR 2	1		1	1	
	17D-2580W-11	CALIPER ASSY, REAR 2		1			
4	5UN-W0057-50	.PISTON ASSY, CALIPER	1	1	1	1	
5	5UN-W0047-50	..CALIPER SEAL KIT	1	1	1	1	
6	5DH-25919-50	.SUPPORT, PAD	1	1	1	1	
7	1UY-25824-51	.SCREW, BLEED	1	1	1	1	
8	1UY-25825-51	.CAP	1	1	1	1	
9	1C3-W0046-50	.BRAKE PAD KIT 2	1		1	1	
	1C3-W0046-B0	.BRAKE PAD KIT 2		1			
10	5UN-25828-60	..SHIM, CALIPER	1	1	1	1	
11	5UN-25827-60	..SHIM, CALIPER	1	1	1	1	
12	5UN-22898-60	..INSULATOR, HEAT	2	2	2	2	
13	8CR-25924-00	.PIN, PAD	1	1	1	1	
14	5DH-25916-00	.PLUG	1	1	1	1	
15	5DH-25914-50	.PIN, SLIDE	1	1	1	1	
16	3JD-25917-00	.BOOT, CALIPER	1	1	1	1	
17	5UN-25914-00	.PIN, SLIDE	1	1	1	1	
18	1UY-25937-51	.BOOT 2	1	1	1	1	
19	5UN-25913-00	.RETAINER	1	1	1	1	
20	17D-25718-50	PROTECTOR, DISK BRAKE	1	1	1	1	
21	90105-06110	BOLT, FLANGE	2	2	2	2	
22	17D-27491-50	PROTECTOR	1	1	1	1	
23	90105-06110	BOLT, FLANGE	1	1	1	1	
24	90105-06111	BOLT, FLANGE	1	1	1	1	

FIG. 32 STEERING HANDLE & CABLE

REF. NO.	PART NO.	DESCRIPTION	1SL5	1SL6	1SL7	1SL8	REMARKS
1	17D-26111-H0	HANDLEBAR	1	1	1	1	
2	4GY-26241-00	GRIP	1	1	1	1	
3	1SL-26240-00	GRIP ASSY	1	1	1	1	
4	4GY-26242-00	.GRIP (RIGHT)	1	1	1	1	
5	3Y1-26249-00	.RING, LEAF	1	1	1	1	
6	5BE-26281-01	CAP, GRIP UPPER	1	1	1	1	
7	5BE-26282-00	CAP, GRIP UNDER	1	1	1	1	
8	98507-05020	SCREW, PAN HEAD	2	2	2	2	
9	5SF-26287-11	COVER, CAP GRIP	1	1	1	1	
10	1SL-26302-00	THROTTLE CABLE ASSY	1	1	1	1	
11	1SL-26335-00	CABLE, CLUTCH	1	1	1	1	
12	34P-26342-00	BOOT, CABLE	1	1	1	1	
13	90387-225N2	COLLAR	1	1	1	1	
14	17D-26124-00	PROTECTOR, HANDLEBAR	1	1	1	1	
15	17D-26143-H0	COVER, HANDLE UPPER 1	1	1	1	1	



1SL1110-N320

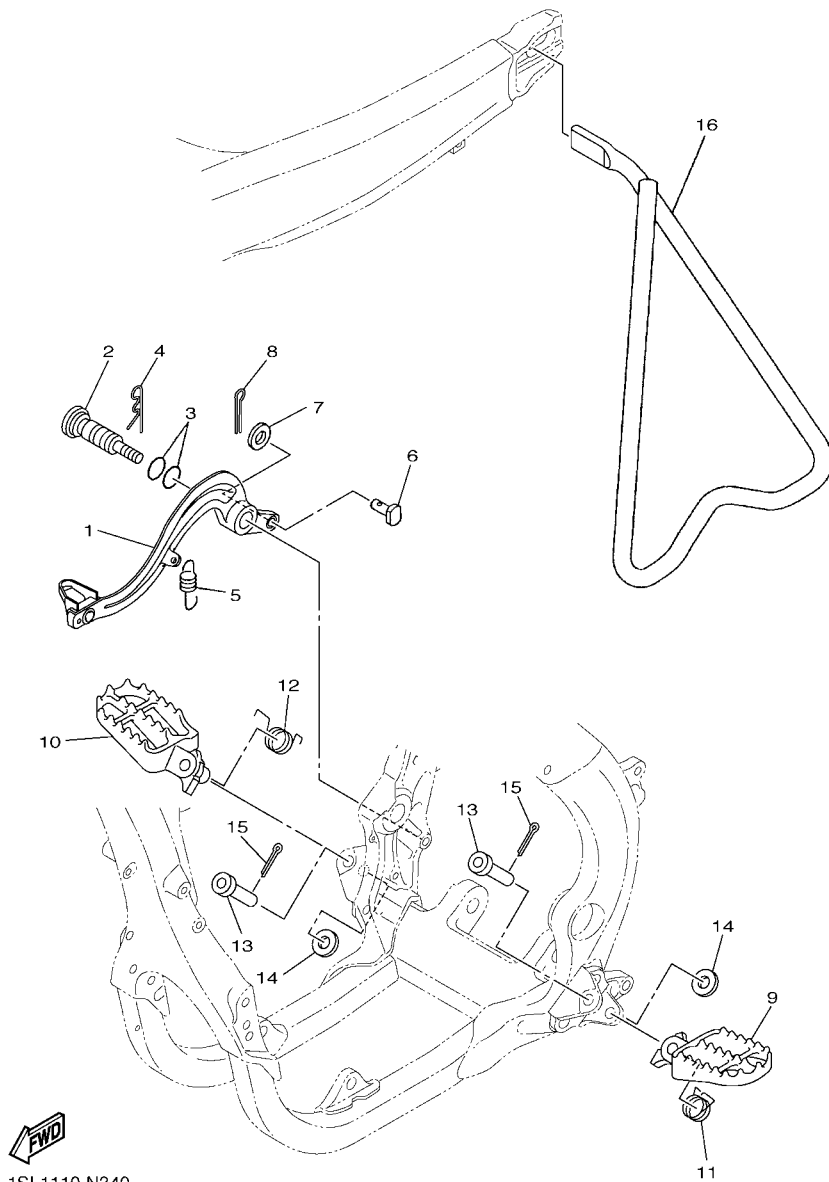


1SL1110-N331

FIG. 33 FRONT MASTER CYLINDER

REF. NO.	PART NO.	DESCRIPTION	1SL5	1SL6	1SL7	1SL8	REMARKS
1	1SL-25872-00	HOSE, BRAKE 1	1	1	1	1	
2	90430-10005	GASKET	4	4	4	4	
3	90401-10172	BOLT, UNION	2	2	2	2	
4	5XC-W2587-00	MASTER CYLINDER SUB ASSY	1	1	1	1	
5	5XC-W0041-00	.CYLINDER KIT, MASTER	1	1	1	1	
6	5XC-25854-G0	.DIAPHRAGM, RESERVOIR	1	1	1	1	
7	5XC-25852-G0	.CAP, RESERVOIR	1	1	1	1	
8	98706-04012	.SCREW, FLAT HEAD	2	2	2	2	
9	5CG-25715-00	.SEPARATOR ASSY	1	1	1	1	
10	5CG-2585G-00	.CIRCLIP	1	1	1	1	
11	5XC-25853-G0	.FLOAT, RESERVOIR	1	1	1	1	
12	5XC-83922-L0	LEVER 2	1	1	1	1	
13	5MV-2589F-00	BOLT, LEVER	1	1	1	1	
14	95701-06500	NUT, WITH WASHER	1	1	1	1	
15	5MV-25867-00	BRACKET, MASTER CYLINDER	1	1	1	1	
16	5MV-25833-00	BOLT, FITTING	2	2	2	2	
17	5XC-26372-G0	COVER, HANDLE LEVER 1	1	1	1	1	

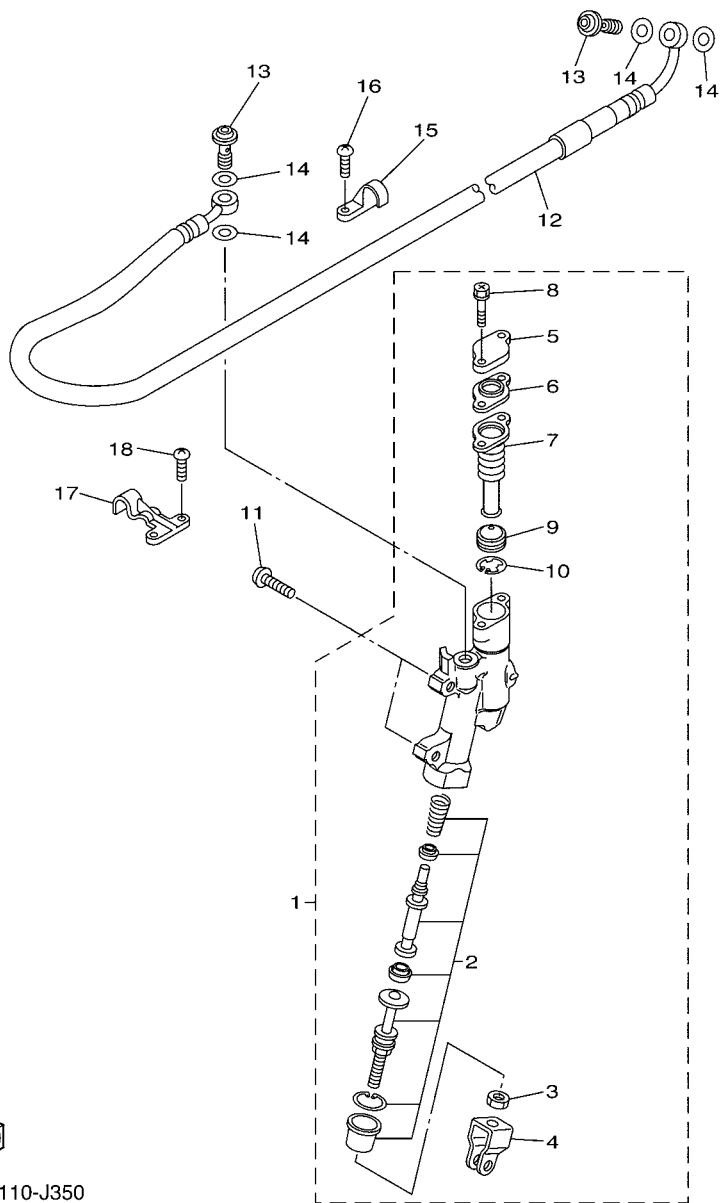
FIG. 34 STAND & FOOTREST



1SL1110-N340

REF. NO.	PART NO.	DESCRIPTION	1SL5	1SL6	1SL7	1SL8	REMARKS
1	33D-27200-01	PEDAL, BRAKE	1	1	1	1	
2	17D-27217-00	BOLT	1	1	1	1	
3	93210-11073	O-RING	2	2	2	2	
4	90468-16001	CLIP	1	1	1	1	
5	90506-18019	SPRING, TENSION	1	1	1	1	
6	90240-08120	PIN, CLEVIS	1	1	1	1	
7	90201-08044	WASHER, PLATE	1	1	1	1	
8	91402-20012	PIN, COTTER	1	1	1	1	
9	17D-27411-00	FOOTREST 1	1	1	1	1	
10	17D-27421-00	FOOTREST 2	1	1	1	1	
11	90508-28015	SPRING, TORSION	1	1	1	1	
12	90508-28018	SPRING, TORSION	1	1	1	1	
13	90240-10004	PIN, CLEVIS	2	2	2	2	
14	90201-10032	WASHER, PLATE	2	2	2	2	
15	91402-25015	PIN, COTTER	2	2	2	2	
16	34P-27311-00	STAND, SIDE	1	1	1	1	

FIG. 35 REAR MASTER CYLINDER



33D1110-J350

REF. NO.	PART NO.	DESCRIPTION	1SL5	1SL6	1SL7	1SL8	REMARKS
1	33D-2583V-00	RR. MASTER CYLINDER ASSY.	1	1	1	1	
2	5UN-W0042-50	.CYLINDER KIT, MASTER	1	1	1	1	
3	5UN-27218-00	.NUT	1	1	1	1	
4	5UN-27222-00	.JOINT	1	1	1	1	
5	5UN-25852-50	.CAP, RESERVOIR	1	1	1	1	
6	5UN-2585B-00	.PLATE, DIAPHRAGM	1	1	1	1	
7	5UN-25854-00	.DIAPHRAGM, RESERVOIR	1	1	1	1	
8	5UN-27217-00	.BOLT	2	2	2	2	
9	5CG-25715-00	.SEPARATOR ASSY	1	1	1	1	
10	5CG-2585G-00	.CIRCLIP	1	1	1	1	
11	90111-06116	BOLT,HEX. SOCKET BUTTON	2	2	2	2	
12	5XC-25873-L0	HOSE, BRAKE 2	1	1	1	1	
13	90401-10172	BOLT, UNION	2	2	2	2	
14	90430-10005	GASKET	4	4	4	4	
15	1C3-25886-50	HOLDER, BRAKE HOSE	1	1	1	1	
16	98502-05010	SCREW, PAN HEAD	2	2	2	2	
17	1C3-25876-50	HOLDER, BRAKE HOSE 2	1	1	1	1	
18	98502-05010	SCREW, PAN HEAD	2	2	2	2	

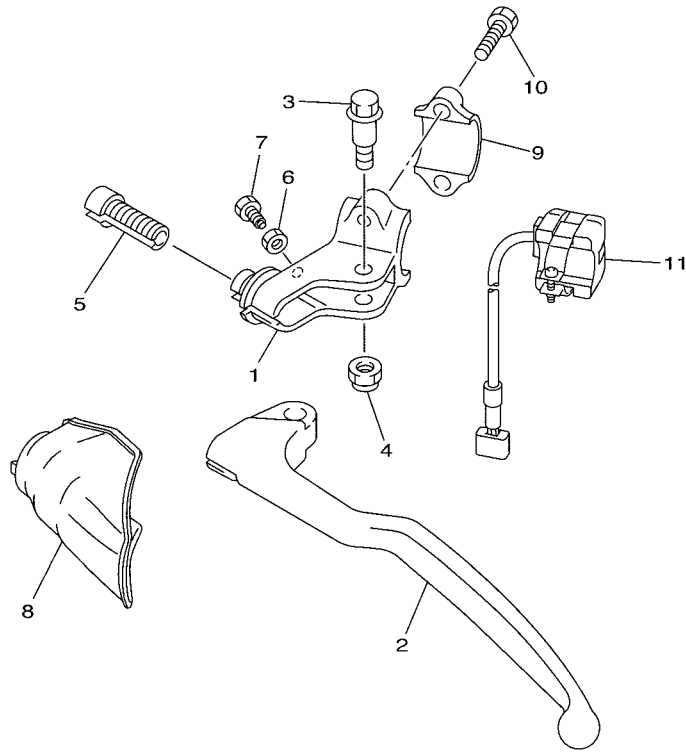


FIG. 37 HANDLE SWITCH & LEVER

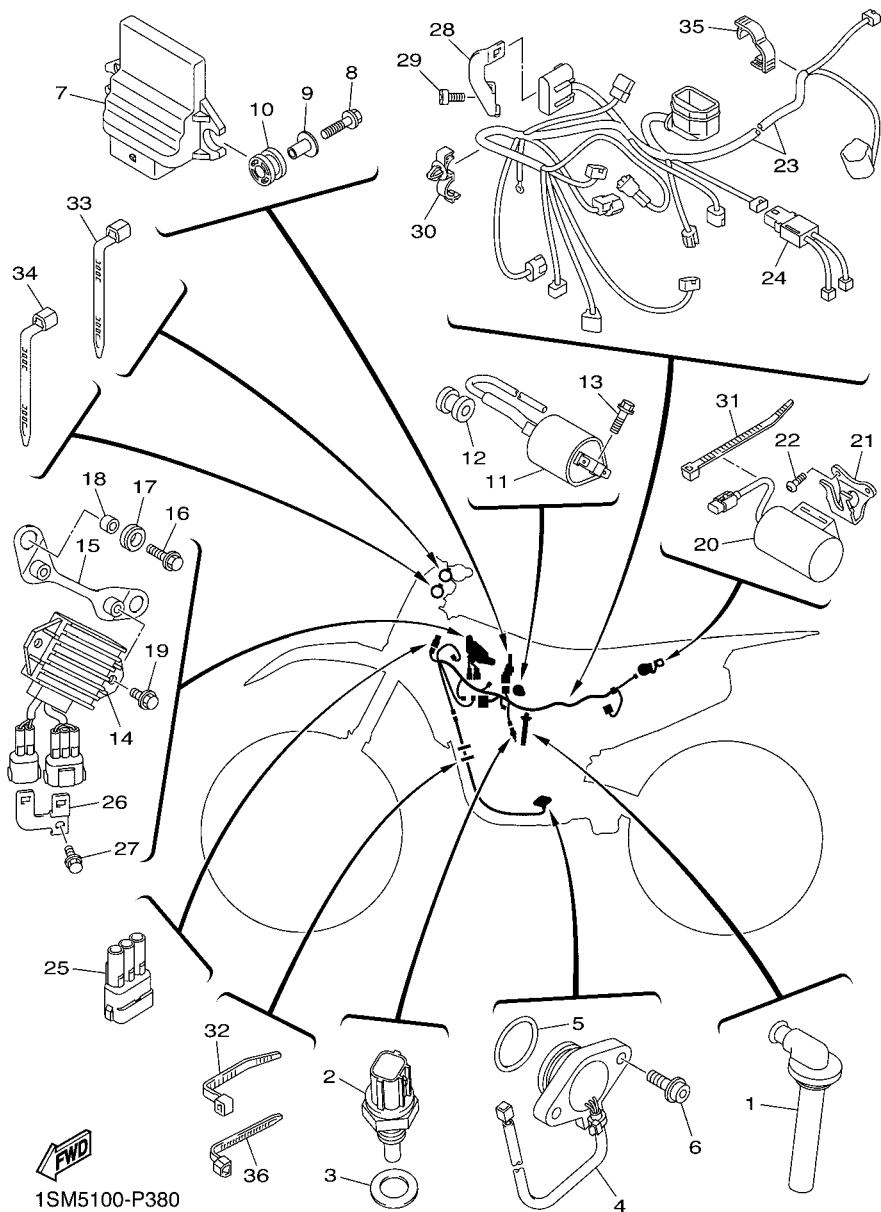
REF. NO.	PART NO.	DESCRIPTION	1SL5	1SL6	1SL7	1SL8	REMARKS
1	17D-82911-00	HOLDER, LEVER 1	1	1	1	1	
2	17D-83912-01	LEVER 1	1	1	1	1	
3	90109-06034	BOLT	1	1	1	1	
4	5LP-84126-10	NUT, LENS FITTING	1	1	1	1	
5	17D-26337-00	BOLT, ADJUSTING	1	1	1	1	
6	95302-05600	NUT	1	1	1	1	
7	90101-05005	BOLT	1	1	1	1	
8	34P-26372-00	COVER, HANDLE LEVER 1	1	1	1	1	
9	33D-82913-00	HOLDER, LEVER LOWER 1	1	1	1	1	
10	95022-06020	BOLT, FLANGE	2	2	2	2	
11	1SL-83976-00	SWITCH, HANDLE 1	1	1	1	1	

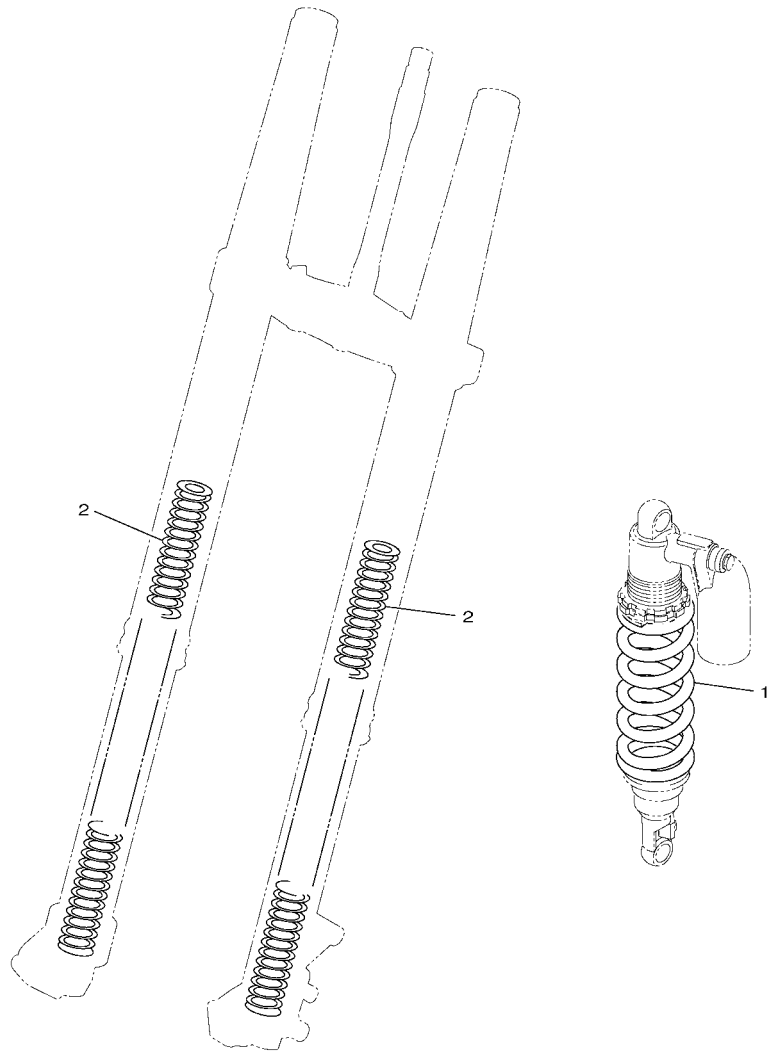


33D1110-J370

FIG. 38 ELECTRICAL 1

REF. NO.	PART NO.	DESCRIPTION	1SL5	1SL6	1SL7	1SL8	REMARKS
1	33D-82370-00	PLUG CAP ASSY	1	1	1	1	
2	4P9-83591-00	THERMO UNIT	1	1	1	1	
3	90430-10004	GASKET	1	1	1	1	
4	1SL-82540-00	NEUTRAL SWITCH ASSY	1	1	1	1	
5	90110-05062	BOLT, HEXAGON SOCKET HEAD	2	2	2	2	
6	93210-21001	O-RING	1	1	1	1	
7	1SL-8591A-40	ENGINE CONTROL UNIT ASSY	1				
	1SL-8591A-50	ENGINE CONTROL UNIT ASSY		1	1	1	
8	90105-05005	BOLT, FLANGE	2	2	2	2	
9	90387-05048	COLLAR	2	2	2	2	
10	90480-13029	GROMMET	2	2	2	2	
11	1SL-82310-00	IGNITION COIL ASSY	1	1	1	1	
12	90480-11015	GROMMET	1	1	1	1	
13	95022-06016	BOLT, FLANGE	2	2	2	2	
14	1SL-81960-00	RECTIFIER & REGULATOR ASSY	1	1	1	1	
15	1SL-21287-00	BRACKET, REGULATOR	1	1	1	1	
16	90105-06203	BOLT, FLANGE	2	2	2	2	
17	90480-13025	GROMMET	2	2	2	2	
18	90387-066J9	COLLAR	2	2	2	2	
19	90105-06064	BOLT, FLANGE	2	2	2	2	
20	1SL-81965-00	CONDENSER, SMOOTHING	1	1	1	1	
21	1SL-21273-00	BRKT. CONDENSER	1	1	1	1	
22	92017-05012	BOLT, BUTTON HEAD	2	2	2	2	
23	1SL-82590-00	WIRE HARNESS ASSY	1	1	1	1	
24	1SL-82309-00	WIRE, SUB LEAD	1	1	1	1	
25	33D-82378-00	CONNECTOR	1	1	1	1	
26	1SL-82388-00	PLATE	1	1	1	1	





1SL1110-N390

FIG. 39 ALTERNATE FOR CHASSIS

REF. NO.	PART NO.	DESCRIPTION	1SL5	1SL6	1SL7	1SL8	REMARKS
1	1SL-22212-20	SPRING (K=56 BLUE)	1				AP FOR DPBSE
	1SL-22212-30	SPRING (K=56 RED)	1				AP FOR PWS1
	1SL-22212-00	SPRING (K=58 BLUE)		1	1	1	AP FOR DPBSE
	1SL-22212-10	SPRING (K=58 RED)				1	AP FOR PWS1
	1SL-22212-40	SPRING (K=52 BLUE)	1	1	1	1	AP FOR DPBSE
	1SL-22212-50	SPRING (K=52 RED)	1			1	AP FOR PWS1
	1SL-22212-60	SPRING (K=54 BLUE)	1	1	1	1	AP FOR DPBSE
	1SL-22212-70	SPRING (K=54 RED)	1			1	AP FOR PWS1
	1SL-22212-80	SPRING (K=60 BLUE)	1	1	1	1	AP FOR DPBSE
	1SL-22212-90	SPRING (K=60 RED)	1			1	AP FOR PWS1
2	1SL-23141-20	SPRING, FRONT FORK (K=4.5)	1	1	1	1	AP
	1SL-23141-30	SPRING, FRONT FORK (K=4.6)	1	1	1	1	AP
	1SL-23141-40	SPRING, FRONT FORK (K=4.7)	1	1	1	1	AP
	1SL-23141-50	SPRING, FRONT FORK (K=4.8)	1	1	1	1	AP
	1SL-23141-60	SPRING, FRONT FORK (K=4.9)	1	1	1	1	AP
	1SL-23141-70	SPRING, FRONT FORK (K=5.0)	1	1	1	1	AP
	1SL-23141-80	SPRING, FRONT FORK (K=5.1)	1	1	1	1	AP

NUMERICAL INDEX

PART NO.	REF. NO.	PART NO.	REF. NO.	PART NO.	REF. NO.	PART NO.	REF. NO.	PART NO.	REF. NO.	PART NO.	REF. NO.
1SL-11102-00	1 - 1	3LD-12168-H1	3 - 11	33D-13577-00	10 - 7	1SL-1477G-00	11 - 26	1SL-17402-00	16 - 13	1SL-2171E-00	19 - 40
5PS-11133-10	1 - 2	3LD-12168-K1	3 - 11	33D-13597-10	9 - 1	1SL-1477H-00	11 - 27	1SL-17411-00	16 - 2	1SL-21720-00	21 - 8
5PS-11134-10	1 - 3	3LD-12168-M1	3 - 11	1SL-13750-10	10 - 1	1SL-14788-00	11 - 12	1SL-17466-00	12 - 14	1SL-2172A-00	21 - 32
1SL-11166-00	1 - 23	3LD-12168-R1	3 - 11	3B4-13761-00	10 - 11	1SL-15100-09	12 - 1	1SL-17471-00	16 - 34	1SL-2172F-00	21 - 33
341-11167-00	1 - 22	3LD-12168-U1	3 - 11	33D-13907-00	26 - 15	5XC-15118-00	12 - 24	1SL-18101-00	18 - 10	1SL-21730-00	21 - 17
33D-11181-00	1 - 14	3LD-12168-W1	3 - 11	33D-13938-00	10 - 2	1SL-15155-00	12 - 3	1SL-18110-00	18 - 14	1SL-21740-01	21 - 23
33D-11190-29	1 - 19	3LD-12168-Y1	3 - 11	1SL-13971-00	26 - 19	3Y1-15361-00	12 - 23	1SL-18122-00	18 - 3	1DX-21746-00	21 - 13
33D-11193-01	1 - 21	3LD-12169-11	3 - 11	3TJ-14137-40	10 - 10	3Y1-15363-10	13 - 6	1SL-18140-01	17 - 12	1SL-21748-00	21 - 21
33D-1119E-00	1 - 26	3LD-12169-31	3 - 11	5PS-14147-00	10 - 12	1SL-15378-00	13 - 21	1SL-18172-00	18 - 8		21 - 27
5UM-1119E-00	1 - 25	3LD-12169-50	3 - 11	1SL-14171-00	10 - 4	4JT-15381-01	12 - 18	3XJ-18173-10	18 - 2	17D-21749-00	21 - 18
1SL-11311-00	1 - 27	3LD-12169-70	3 - 11	1DX-14216-00	10 - 9	18P-15383-00	12 - 16	33D-18175-00	17 - 15		21 - 24
1SL-11351-00	1 - 28	3LD-12169-90	3 - 11	1SL-14293-00	9 - 4	1SL-15388-00	12 - 20	3XJ-18178-00	18 - 4	5BE-21749-00	20 - 10
1SL-11400-03	2 - 1	3LD-12169-E0	3 - 11	33D-14325-00	10 - 5	1SL-15411-00	13 - 1	3XJ-18182-00	18 - 5		21 - 10
1SL-11412-00	2 - 2	3LD-12169-G0	3 - 11	33D-14348-00	10 - 6	33D-15415-10	13 - 22	3XJ-18184-00	18 - 7	5TA-21749-00	21 - 3
1SL-11422-00	2 - 3	3LD-12169-J0	3 - 11	1SL-14411-00	9 - 7	1SL-15421-00	12 - 13	1SL-18185-00	18 - 1		21 - 11
33D-11454-00	2 - 14	3LD-12169-L0	3 - 11	1SL-14412-00	9 - 26	1SL-15431-00	13 - 14	1SL-18511-00	17 - 6	5TJ-21757-00	9 - 38
33D-11455-00	2 - 9	3LD-12169-N0	3 - 11	1SL-14412-10	9 - 26	1SL-15441-00	12 - 11	1SL-18512-00	17 - 7	1SL-2175C-00	9 - 40
33D-11464-00	2 - 16	3LD-12169-T0	3 - 11	1SL-14422-00	9 - 17	1SL-15451-00	13 - 8	1SL-18513-00	17 - 8	5FK-2175C-30	20 - 15
2S2-11531-00	2 - 11	1SL-12170-00	4 - 1	1SL-14428-00	9 - 13	33D-15453-00	13 - 23	1SL-18531-00	17 - 9	1SL-2176M-00	21 - 4
1SL-11536-00	2 - 8	1SL-12180-00	4 - 2	1SL-14437-00	9 - 30	1SL-15462-00	13 - 18	1SL-18535-00	17 - 10	4XV-2177L-01	9 - 16
33D-11603-00	2 - 22	5TA-12210-30	4 - 5	1SL-1443A-00	9 - 31	2S2-15601-00	14 - 1	1SL-18541-00	17 - 1		9 - 19
1SL-11631-00	2 - 21	4FM-12213-00	4 - 8	1SL-14442-00	9 - 24	1SL-15620-00	14 - 17	3D7-18542-00	17 - 2	1SL-217R0-20	21 - 17
33D-11633-00	2 - 23	5EL-12214-00	4 - 7	1SL-14451-00	9 - 11	1SL-15621-00	14 - 18	1SL-18562-00	12 - 21	1SL-217R0-30	21 - 17
33D-11651-03	2 - 6	5EL-12228-00	4 - 6	1SL-14452-00	9 - 27	5TA-15651-00	14 - 14	1SL-21101-00	19 - 1	1SL-217S0-20	21 - 23
5TG-11681-01	2 - 4	1SL-12233-00	4 - 13	1SL-14453-00	9 - 8	5GR-15664-00	14 - 8	1SL-21163-00	19 - 36	1SL-217S0-30	21 - 23
1SL-116A0-00	2 - 20	5BE-12241-00	1 - 20	1SL-14457-00	9 - 28	2NX-15668-00	14 - 11	5PA-2118K-00	20 - 16	1SL-22110-00	22 - 1
1SL-11917-00	5 - 6	33D-12251-00	4 - 11	1SL-14458-00	9 - 12	2S2-15671-00	14 - 4	5PA-2118K-10	20 - 17	5XC-22121-91	22 - 28
1SL-12111-00	3 - 1	33D-12252-00	4 - 12	1SL-14459-00	9 - 9	3Y6-15674-00	14 - 10	5PA-2118K-20	20 - 16	34P-22122-00	22 - 29
33D-12113-00	3 - 5	1SL-1240A-00	6 - 7	1SL-14462-00	9 - 18	2S2-16111-60	15 - 1	1SL-21190-00	19 - 5	2S2-22128-70	22 - 11
33D-12114-00	3 - 6	33D-12422-00	5 - 8	33D-14486-00	10 - 3	5XD-16150-70	15 - 4	1SL-21273-00	38 - 21	33D-22141-00	22 - 15
33D-12116-00	3 - 3	33D-12427-00	5 - 9	1DX-14562-00	10 - 8	5XD-16154-00	15 - 11	1SL-21287-00	38 - 15	34P-22151-01	22 - 8
33D-12117-00	3 - 7	1SL-12446-00	6 - 4	1SL-14611-00	11 - 1	5TA-16321-00	15 - 8	1SL-21335-00	19 - 34	5UN-22176-00	23 - 15
3LD-12117-00	3 - 8	1SL-12450-00	5 - 1	33D-14613-00	11 - 5	5VY-16321-00	15 - 12	1SL-21417-10	19 - 22	30X-22178-00	19 - 8
3LD-12118-00	3 - 9	1SL-12461-00	6 - 8	1SL-14621-00	11 - 7	4B1-16324-00	15 - 7	1SL-21425-00	19 - 28	3JD-22178-20	19 - 13
51Y-12119-00	3 - 10	5SL-12462-00	6 - 9	1SL-14628-00	11 - 2	2S2-16351-00	15 - 6	1SL-21426-00	19 - 29	17D-2217A-00	22 - 18
1SL-12121-00	3 - 2	33D-12465-00	6 - 10	1SL-14639-00	11 - 14	33D-16356-00	15 - 15	17D-21447-00	19 - 2	33D-2217F-00	22 - 24
33D-12126-00	3 - 4	1SL-12482-00	6 - 1	1SL-1463B-00	11 - 9	1SL-16357-00	15 - 19	17D-21448-00	19 - 3	4V4-22184-00	19 - 9
4C8-12153-09	3 - 12	5BE-12564-00	5 - 14	1SL-1466G-00	11 - 22	5TA-16371-10	15 - 5	1SL-21471-00	19 - 31	5MV-22184-00	23 - 16
5EB-12153-09	3 - 13	1SL-12576-00	6 - 14	1SL-1469A-00	11 - 23	1SL-16381-00	15 - 20	17D-21511-50	20 - 1	2S2-22199-70	22 - 10
4C8-12153-10	3 - 12	1SL-12577-00	6 - 15	1SL-1469A-10	11 - 23	2S2-17121-00	16 - 9	17D-21511-60	20 - 1	1SL-22200-20	23 - 1
5EB-12153-10	3 - 13	1SL-12578-00	6 - 16	1SL-1469F-00	11 - 25	1SL-17131-00	16 - 6	1SL-21610-00	20 - 8	1SL-22200-30	23 - 1
3LD-12578-00	3 - 11	1SL-12579-00	6 - 17	1SL-14714-00	11 - 28	2S2-17141-00	16 - 7	1SL-21610-10	20 - 8	1SL-22200-40	23 - 1
3LD-12168-20	3 - 11	1SL-13300-00	7 - 1	5XD-14714-00	11 - 8	2S2-17151-00	16 - 3	5XE-21635-10	20 - 9	1SL-22200-60	23 - 1
3LD-12168-40	3 - 11	1SL-13371-00	12 - 26	1SL-14715-00	11 - 29	2S2-17211-00	16 - 14	17D-21642-00	20 - 13	1SL-22200-70	23 - 1
3LD-12168-60	3 - 11	1SL-13411-00	7 - 4	5VY-14747-00	11 - 15	2S2-17221-00	16 - 25	3RV-21668-A0	22 - 32	1SL-22201-10	23 - 2
3LD-12168-80	3 - 11	5D3-13440-02	8 - 1	1SL-14750-00	11 - 19	1SL-17231-00	16 - 20	3RV-21668-B0	22 - 33	1SL-22201-20	23 - 2
3LD-12168-A0	3 - 11	1SL-13447-00	8 - 2	1SL-14750-10	11 - 19	1SL-17241-00	16 - 23	1SL-21710-00	21 - 1	1SL-22201-30	23 - 2
3LD-12168-F0	3 - 11	1SL-13475-00	12 - 27	1SL-1477E-00	11 - 24	1SL-17251-00	16 - 17	1SL-21719-00	21 - 12	1SL-22212-00	23 - 9

NUMERICAL INDEX

PART NO.	REF. NO.	PART NO.	REF. NO.	PART NO.	REF. NO.	PART NO.	REF. NO.	PART NO.	REF. NO.	PART NO.	REF. NO.
1SL-22212-00	39 - 1	1SL-23141-20	39 - 2	1C3-23188-R0	25 - 42	5NY-25196-00	28 - 8	1SL-25872-00	33 - 1	1SL-28386-00	9 - 37
1SL-22212-10	23 - 9	1SL-23141-30	39 - 2	1C3-23190-L0	25 - 20	34P-25304-00	30 - 10	5XC-25873-L0	35 - 12	3FV-28386-00	9 - 36
	39 - 1	1SL-23141-40	39 - 2		25 - 44	17D-2530S-00	30 - 22	1C3-25876-50	35 - 17	1SL-81410-00	36 - 1
1SL-22212-20	23 - 9	1SL-23141-50	39 - 2	33D-23340-00	25 - 49	17D-25311-00	30 - 1	1C3-25886-50	35 - 15	1SL-81450-00	36 - 2
	39 - 1	1SL-23141-60	39 - 2	17D-23389-50	24 - 2	17D-25317-00	30 - 2	5MV-2589F-00	33 - 13	1SL-81528-00	36 - 7
1SL-22212-30	23 - 9	1SL-23141-70	39 - 2	17D-23416-50	24 - 6	17D-2531B-00	28 - 6	5UN-25913-00	31 - 19	1SL-81960-00	38 - 14
	39 - 1	1SL-23141-80	39 - 2	1SL-23434-00	24 - 13		30 - 15	5UN-25914-00	31 - 17	1SL-81965-00	38 - 20
1SL-22212-40	39 - 1	1SL-23141-90	25 - 21	1SL-23435-00	24 - 9	4XM-25364-00	30 - 20	5DH-25914-50	31 - 15	1SL-82309-00	38 - 24
1SL-22212-50	39 - 1		25 - 45	18P-23441-00	24 - 11	17D-25381-00	30 - 27	3SP-25914-51	29 - 13	1SL-82310-00	38 - 11
1SL-22212-60	39 - 1	17D-23142-00	25 - 13	1SL-23442-00	24 - 12	1SL-25388-00	30 - 23	5DH-25916-00	29 - 11	33D-82370-00	38 - 1
1SL-22212-70	39 - 1		25 - 37	17D-23466-00	25 - 54	1SL-25389-00	30 - 24		31 - 14	33D-82378-00	38 - 25
1SL-22212-80	39 - 1	5XE-23144-L0	25 - 10	17D-23467-00	25 - 55	3JE-25394-00	30 - 19	3JD-25917-00	29 - 14	2C0-82380-00	10 - 15
1SL-22212-90	39 - 1		25 - 34	33D-23472-00	19 - 6	5SF-25394-00	28 - 13		31 - 16	1SL-82388-00	38 - 26
1SL-22213-00	23 - 7	17D-23145-00	25 - 8	17D-23485-50	24 - 17	5ET-25395-00	30 - 13	5DH-25919-00	29 - 6	1SL-82389-00	38 - 28
33D-22214-00	23 - 10		25 - 32	1SL-24110-00	26 - 1	34P-25396-00	30 - 11	5DH-25919-50	31 - 6	1SL-82540-00	38 - 4
33D-22224-00	23 - 11	5XC-23146-10	25 - 7	1SL-24115-00	26 - 6	34P-25397-00	30 - 12	8CR-25924-00	31 - 13	1SL-82590-00	38 - 23
4JX-22226-00	23 - 4		25 - 31	4EW-2412F-00	26 - 21	17D-25447-50	30 - 6	3SP-25926-51	29 - 12	17D-82911-00	37 - 1
33D-22234-00	23 - 6	1AE-23147-00	25 - 19	33D-24135-00	26 - 20	17D-25448-50	30 - 6	5DH-25933-00	29 - 10	33D-82913-00	37 - 9
5NY-22241-00	23 - 22		25 - 43	1S4-2414J-00	26 - 2	17D-25449-50	30 - 6	1UY-25937-51	29 - 15	4P9-83591-00	38 - 2
5XE-22242-00	23 - 19	1C3-23147-L0	25 - 12	3FB-2415E-02	20 - 5	17D-25450-50	30 - 6		31 - 18	17D-83912-01	37 - 2
1C3-22253-50	23 - 12		25 - 36	3FB-2415E-12	20 - 6	17D-25451-50	30 - 6	17D-26111-H0	32 - 1	5XC-83922-L0	33 - 12
1C3-22253-L1	23 - 17	17D-23153-00	25 - 3	3FB-2415E-C1	20 - 5	17D-25452-50	30 - 6	17D-26124-00	32 - 14	1SL-83976-00	37 - 11
4AA-22259-40	23 - 8		25 - 27	4SR-2416E-00	20 - 7	5CG-25715-00	33 - 9	17D-26143-H0	32 - 15	5LP-84126-10	37 - 4
4AA-22259-50	23 - 8	5XE-23153-L0	25 - 9	1SL-24181-00	19 - 43		35 - 9	1SL-26240-00	32 - 3	1SL-85885-00	10 - 14
4AA-22259-70	23 - 8		25 - 33	33D-24182-00	19 - 44	17D-25718-50	31 - 20	4GY-26241-00	32 - 2	8FP-85886-00	9 - 14
4EW-22474-00	23 - 14	2HH-23158-L0	25 - 23	33D-24183-00	19 - 45	5XC-2580T-G0	29 - 3	4GY-26242-00	32 - 4	1SL-8591A-40	38 - 7
3JE-22475-00	23 - 13		25 - 47	1SL-24188-00	26 - 3	17D-2580W-01	31 - 3	3Y1-26249-00	32 - 5	1SL-8591A-50	38 - 7
5NY-22475-00	23 - 18	17D-2315H-50	25 - 52	1SL-2419A-00	26 - 10	17D-2580W-11	31 - 3	5BE-26281-01	32 - 6	5XC-W0041-00	33 - 5
5UN-22898-60	31 - 12	17D-2315J-50	25 - 51	33D-24486-00	26 - 16	5XC-2581T-G0	29 - 1	5BE-26282-00	32 - 7	5UN-W0042-50	35 - 2
1C3-22969-90	22 - 9	1SL-2316A-10	25 - 14	33D-24491-00	26 - 17	1UY-25824-51	29 - 7	5SF-26287-11	32 - 9	5XC-W0045-00	29 - 9
1SL-23102-10	25 - 1		25 - 38	1SL-24610-00	26 - 4		31 - 7	1SL-26302-00	32 - 10	1C3-W0046-50	31 - 9
1SL-23102-20	25 - 1	1SL-2316A-20	25 - 14	1SL-2464E-00	27 - 3	1UY-25825-51	29 - 8	1SL-26335-00	32 - 11	1C3-W0046-B0	31 - 9
1SL-23103-10	25 - 25		25 - 38	18P-2464V-00	19 - 49		31 - 8	17D-26337-00	37 - 5	5KM-W0047-10	29 - 5
1SL-23103-20	25 - 25	1SL-23170-00	25 - 11	5YT-24665-00	6 - 11	5UN-25827-60	31 - 11	34P-26342-00	32 - 12	5UN-W0047-50	31 - 5
1SL-23110-00	25 - 28		25 - 35	18P-2467E-00	19 - 48	5UN-25828-60	31 - 10	34P-26372-00	37 - 8	5XC-W0057-00	29 - 4
5XC-23111-00	25 - 22	1SL-23170-10	25 - 11	1SL-2470F-00	27 - 2	2S2-2582W-70	31 - 1	5XC-26372-G0	33 - 17	5UN-W0057-50	31 - 4
	25 - 46		25 - 35	1SL-2470F-10	27 - 2	5MV-25833-00	33 - 16	33D-27200-01	34 - 1	5XC-W2587-00	33 - 4
276-23114-00	25 - 24	5XE-23171-L0	25 - 5	1SL-24710-00	27 - 1	33D-2583V-00	35 - 1	17D-27217-00	34 - 2	90101-05005	37 - 7
	25 - 48		25 - 29	1SL-24710-10	27 - 1	5XC-25849-G0	29 - 16	5UN-27217-00	35 - 8	90101-06041	18 - 9
1SL-23120-00	25 - 4	5DH-23183-00	23 - 5	1SL-24734-00	27 - 5	5UN-25852-50	35 - 5	5UN-27218-00	35 - 3	90101-06044	14 - 12
5XE-23125-L0	25 - 6	509-23184-L0	23 - 3	1SL-24742-00	27 - 4	5XC-25852-G0	33 - 7	5UN-27222-00	35 - 4	90101-08006	30 - 25
	25 - 30	1C3-23188-L0	25 - 15	5NY-25104-00	28 - 7	5XC-25853-G0	33 - 11	34P-27311-00	34 - 16	90105-05005	38 - 8
1SL-23136-00	25 - 2		25 - 39	1SL-25111-00	28 - 1	5UN-25854-00	35 - 7	17D-27411-00	34 - 9	90105-06027	1 - 4
	25 - 26	1C3-23188-N0	25 - 16	1SL-25117-00	28 - 3	5XC-25854-G0	33 - 6	17D-27421-00	34 - 10	90105-06064	21 - 29
33D-23136-00	25 - 2		25 - 40	1SL-25181-00	28 - 14	5UN-2585B-00	35 - 6	17D-27491-50	31 - 22		24 - 18
	25 - 26	1C3-23188-P0	25 - 17	1SL-25183-00	28 - 15	5CG-2585G-00	33 - 10	5SL-2814F-00	19 - 47		38 - 19
1SL-23141-10	25 - 21		25 - 41	1SL-25186-00	28 - 16		35 - 10	5ET-28166-10	19 - 46	90105-06081	12 - 22
	25 - 45	1C3-23188-R0	25 - 18	56A-25195-00	28 - 9	5MV-25867-00	33 - 15	5PG-2816R-00	20 - 18		16 - 35

NUMERICAL INDEX

PART NO.	REF. NO.	PART NO.	REF. NO.	PART NO.	REF. NO.	PART NO.	REF. NO.	PART NO.	REF. NO.	PART NO.	REF. NO.
90105-06099	12 - 12	90110-06363	12 - 9	90201-08047	14 - 24	90387-06372	21 - 20	90464-13077	38 - 33	92902-10200	23 - 21
90105-06100	20 - 11	90110-06391	12 - 8	90201-08048	30 - 9		21 - 26	90464-15195	38 - 36	93101-14164	13 - 15
90105-06104	22 - 12	90110-06392	12 - 10	90201-08061	11 - 17	90387-065T2	19 - 41	90464-17003	38 - 30	93102-08004	5 - 3
90105-06105	22 - 14	90110-08087	14 - 23	90201-10025	1 - 17	90387-066J9	38 - 18	90464-18004	38 - 35	93102-08307	5 - 4
90105-06110	31 - 21	90111-06116	35 - 11	90201-10032	34 - 14	90387-066Y6	26 - 12	90464-31002	19 - 38	93102-10008	15 - 22
	31 - 23	90111-06149	26 - 23	90201-10035	24 - 14	90387-06M31	21 - 14		19 - 39	93102-20108	14 - 13
	38 - 27	90116-06037	1 - 12	90201-10045	19 - 21	90387-07045	9 - 29	90465-08062	13 - 13	93102-30014	28 - 4
90105-06111	31 - 24	90119-06096	21 - 7		19 - 26	90387-08041	19 - 11	90465-10098	38 - 32	93102-32337	30 - 4
90105-06127	20 - 3		21 - 16	90201-127E1	36 - 4	90387-08057	21 - 2	90465-12356	38 - 31	93102-32480	16 - 28
90105-06148	4 - 9	90119-06262	6 - 24	90201-14020	22 - 30		21 - 9	90467-090A2	6 - 13	93106-22002	22 - 4
90105-06156	31 - 2	90119-06268	20 - 12	90201-15701	13 - 16	90387-08081	11 - 18	90467-20030	1 - 24	93109-14010	18 - 16
90105-06170	24 - 3	90119-06M12	18 - 15	90201-16018	22 - 17	90387-086N4	19 - 15	90468-16001	34 - 4	93109-21001	22 - 26
	25 - 56	90119-08133	11 - 31	90201-167P7	14 - 6	90387-087L0	9 - 22	90480-01027	9 - 25	93109-25001	22 - 20
	26 - 7	90149-05031	36 - 5	90201-203E7	16 - 16	90387-11009	21 - 19	90480-01558	9 - 34	93109-28043	22 - 5
	26 - 11	90149-06074	12 - 19	90201-20685	14 - 2		21 - 25	90480-08608	30 - 21	93210-11073	34 - 3
90105-06179	21 - 30	90149-06083	2 - 15		14 - 15	90387-14016	22 - 27	90480-10068	21 - 22	93210-12010	7 - 5
90105-06189	12 - 15	90149-10031	19 - 4	90201-21014	22 - 23	90387-14020	18 - 11		21 - 28	93210-14369	13 - 5
90105-06203	9 - 39	90151-06024	4 - 14	90201-22023	30 - 29	90387-16026	22 - 21	90480-10289	26 - 13	93210-16500	6 - 3
	12 - 28	90151-06045	14 - 21	90201-253K0	16 - 4	90387-17015	12 - 7	90480-11015	38 - 12	93210-17570	14 - 22
	19 - 33	90151-06051	29 - 2		16 - 21	90387-17016	22 - 6	90480-11298	9 - 32	93210-19123	13 - 7
	21 - 31	90151-08003	12 - 17	90201-286K9	24 - 8	90387-1714S	22 - 7	90480-12237	9 - 23	93210-19758	5 - 15
	38 - 16	90159-06010	15 - 10	90208-20008	15 - 2	90387-20028	16 - 15		9 - 33	93210-21001	38 - 6
90105-08137	11 - 16	90159-06021	7 - 6		15 - 13	90387-21005	16 - 8	90480-13025	38 - 17	93210-22164	16 - 30
	29 - 17	90159-06027	17 - 14	90209-16011	22 - 22	90387-225N2	32 - 13	90480-13029	38 - 10	93210-24253	6 - 5
90105-08143	19 - 23	90170-10405	2 - 18	90209-21332	16 - 10	90387-2513F	16 - 29	90480-15012	6 - 22	93210-357A3	13 - 3
	19 - 30	90170-14171	2 - 12	90209-22008	16 - 19	90387-28012	16 - 26	90480-18549	26 - 9	93210-45708	8 - 3
90105-08154	24 - 16	90170-20255	15 - 3	90209-26348	16 - 24	90401-10172	33 - 3	90501-052G5	18 - 6	93300-60801	5 - 5
	25 - 50		15 - 14	90215-10009	2 - 19		35 - 13	90501-06022	17 - 3	93300-60839	19 - 14
90105-08230	11 - 32	90179-08019	30 - 26	90215-14287	2 - 13	90430-06014	1 - 11	90501-064L1	17 - 11	93304-20310	2 - 10
	19 - 7	90179-10658	19 - 20	90215-21003	16 - 32		4 - 10	90501-147A5	14 - 19	93306-00426	16 - 12
	21 - 6		19 - 25	90240-08120	34 - 6		5 - 13	90501-160A2	14 - 5	93306-00447	16 - 11
	21 - 15	90179-12657	36 - 3	90240-10004	34 - 13		13 - 12	90501-240A3	15 - 9	93306-20532	16 - 1
90105-08232	19 - 16	90179-18011	28 - 17	90267-40014	9 - 35	90430-06156	7 - 3	90506-18019	34 - 5	93306-205A5	16 - 27
90105-10176	19 - 19	90179-20001	16 - 33	90267-41004	9 - 35	90430-06166	12 - 29	90508-26080	17 - 13	93306-30633	2 - 7
90105-10189	19 - 27	90179-24004	24 - 10	90267-48121	11 - 21	90430-08119	1 - 9	90508-28015	34 - 11	93306-80502	17 - 5
90105-10193	19 - 24	90179-28015	24 - 7	90269-06008	9 - 20	90430-09002	10 - 13	90508-28018	34 - 12	93306-90409	17 - 4
90105-10367	1 - 16	90185-08008	30 - 8	90280-03006	2 - 25	90430-10004	38 - 3	90508-29023	18 - 12	93306-90510	30 - 3
90109-06034	37 - 3	90185-08009	19 - 17	90282-05034	2 - 17	90430-10005	33 - 2	90508-305B0	14 - 9	93306-97203	28 - 2
90109-06232	25 - 53	90185-10012	23 - 23	90340-12007	1 - 5		35 - 14	91312-05008	19 - 35	93310-63458	2 - 5
90109-08078	30 - 7	90185-14010	22 - 31	90340-14011	13 - 4	90430-10188	12 - 6	91312-06020	9 - 2	93315-32166	22 - 19
90110-05032	36 - 8	90185-16002	22 - 16	90340-36002	13 - 2	90445-09008	26 - 5	91380-06012	38 - 29		22 - 25
90110-05033	7 - 2	90185-22011	30 - 28	90387-05048	38 - 9	90450-22001	6 - 20	91402-20012	34 - 8	93317-11096	15 - 21
90110-05058	26 - 18	90201-05017	11 - 3	90387-06065	6 - 23	90450-25001	6 - 19	91402-25015	34 - 15	93317-22262	22 - 2
90110-05062	38 - 5		11 - 10	90387-06091	26 - 8	90450-28001	6 - 18	91808-16023	1 - 6	93332-00068	24 - 5
90110-05064	11 - 20	90201-06108	20 - 4	90387-06105	24 - 4	90450-32003	6 - 21		1 - 7	93332-00081	24 - 1
90110-05066	9 - 5	90201-08043	19 - 18	90387-06106	19 - 32	90450-58007	9 - 6	91A20-05065	6 - 12	93340-21209	15 - 16
90110-06161	36 - 6	90201-08044	34 - 7	90387-06259	20 - 2	90450-60004	9 - 3	92012-06010	19 - 37	93342-22217	22 - 3
90110-06168	12 - 4	90201-08045	19 - 10	90387-06284	26 - 24	90464-13073	38 - 34	92017-05012	38 - 22	93410-20038	14 - 3

NUMERICAL INDEX

PART NO.	REF. NO.	PART NO.	REF. NO.	PART NO.	REF. NO.	PART NO.	REF. NO.	PART NO.	REF. NO.	PART NO.	REF. NO.
93440-07182	5 - 7	95022-10016	12 - 5								
93440-10085	15 - 17	95024-08040	11 - 13								
93440-25084	16 - 5		11 - 30								
	16 - 18	95302-05600	37 - 6								
93440-28062	16 - 22	95602-10200	23 - 20								
93440-41178	4 - 3		24 - 15								
93450-19052	2 - 24	95701-06500	33 - 14								
93507-32009	14 - 20	95702-06500	22 - 13								
93511-32027	15 - 18	95704-06500	11 - 6								
93603-12030	5 - 2	97702-40012	21 - 5								
93604-10011	5 - 10	97702-50520	9 - 15								
93608-33002	18 - 13	97702-60016	20 - 14								
93612-16254	1 - 15	98502-05010	35 - 16								
9383E-13233	16 - 31		35 - 18								
94108-21053	28 - 10	98502-05014	9 - 10								
94112-19011	30 - 16		9 - 21								
94211-19273	30 - 17	98507-05020	32 - 8								
94227-21101	28 - 11	98706-04012	33 - 8								
94309-21161	28 - 12	98707-06025	26 - 22								
94311-19155	30 - 18	98980-06008	11 - 4								
94416-21045	28 - 5		11 - 11								
94421-19013	30 - 14	99009-16400	14 - 7								
94591-57122	4 - 4	99009-18500	15 - 23								
94682-28001	30 - 31	99009-20400	14 - 16								
94701-00410	1 - 13	99009-22500	13 - 17								
94701-00411	1 - 13	99009-42700	30 - 5								
94703-00410	1 - 13	99530-08016	13 - 9								
94703-00411	1 - 13	99530-12016	13 - 19								
95022-06010	1 - 10	99530-14016	1 - 29								
	5 - 12		12 - 2								
	12 - 25	9Y582-28113	30 - 30								
95022-06012	6 - 2										
	13 - 11										
95022-06016	8 - 4										
	19 - 42										
	38 - 13										
95022-06020	6 - 6										
	26 - 14										
	37 - 10										
95022-06025	5 - 11										
	13 - 24										
95022-06030	13 - 10										
	13 - 20										
95022-06035	1 - 18										
	1 - 30										
95022-06070	13 - 25										
95022-08012	1 - 8										
95022-08040	19 - 12										