

PARTS CATALOGUE

YZ250FE (1SM1) U.S.A.



1N1SM-110E1

()

NEWS No.	DATE	COMMENT
PE0-MC-130056	Nov.,28,2013	COR:FIG.33 FRONT MASTER CYLINDER ILLUSTRATION CORRECTION

2013/12/09

YZ250FE
PARTS CATALOGUE
©2013 by Yamaha Motor Co., Ltd.
1st edition, September 2013
All rights reserved.
Any reprinting or unauthorized use
without the written permission of
Yamaha Motor Co., Ltd.
is expressly prohibited.
Printed in Japan.

FOREWORD

This Parts Catalogue is related to the parts for the model(s) on the cover page. When you are ordering replacement parts, please refer to this Parts Catalogue and quote both part numbers and part names correctly.

1. Modifications or additions which have been made after the issue of the Parts Catalogue will be announced in the Parts News.

It is advisable that you make the necessary corrections to the Parts Catalogue according to the Parts News.

2. Abbreviations

The following abbreviations are used in this Parts Catalogue.

“UR” Use specified parts number.

“UN” Use as many as needed.

“AP” Alternate Parts

“LM” Locally Made (Parts need to be ordered locally)

“F#” Frame No. (Applicable machine No.)

“O/S” Over Size

3. The number of components for assembly

- Parts, which are to be supplied in an assembly, are listed with a dot (.) in front of the part name as shown below.
- The numeral appearing to the right of each component part indicates the quantity of parts for each assembly unit.

PART NO.	DESCRIPTION	Q'TY	REMARKS
2F5-83310-60	FRONT FLASHER LIGHT ASSY	2	
115-83311-60	.BULB (6V-18W)	1	

4. Applicable colours of graphics are represented in the “REMARKS” as shown below.

PART NO.	DESCRIPTION	Q'TY	REMARKS
2N4-24110-00-X5	FUEL TANK COMP.	2	MXR
3J1-24240-10	.GRAPHIC, FUEL TANK	1	FOR MXR

5. Note that the illustrations for reference in finding parts numbers are not to be used for assembling. When assembling, please use the applicable service manual.

6. The asterisk (*) before a reference number indicates modified items after the first edition.

CONTENTS

ENGINE

CYLINDER	1
CRANKSHAFT & PISTON	2
VALVE	3
CAMSHAFT & CHAIN	5
WATER PUMP	6
RADIATOR & HOSE	7
OIL PUMP	8
OIL CLEANER	9
INTAKE	10
INTAKE 2	12
EXHAUST	13
CRANKCASE	15
CRANKCASE COVER 1	16
STARTER	17
CLUTCH	18
TRANSMISSION	20
SHIFT CAM & FORK	22
SHIFT SHAFT	23

CHASSIS

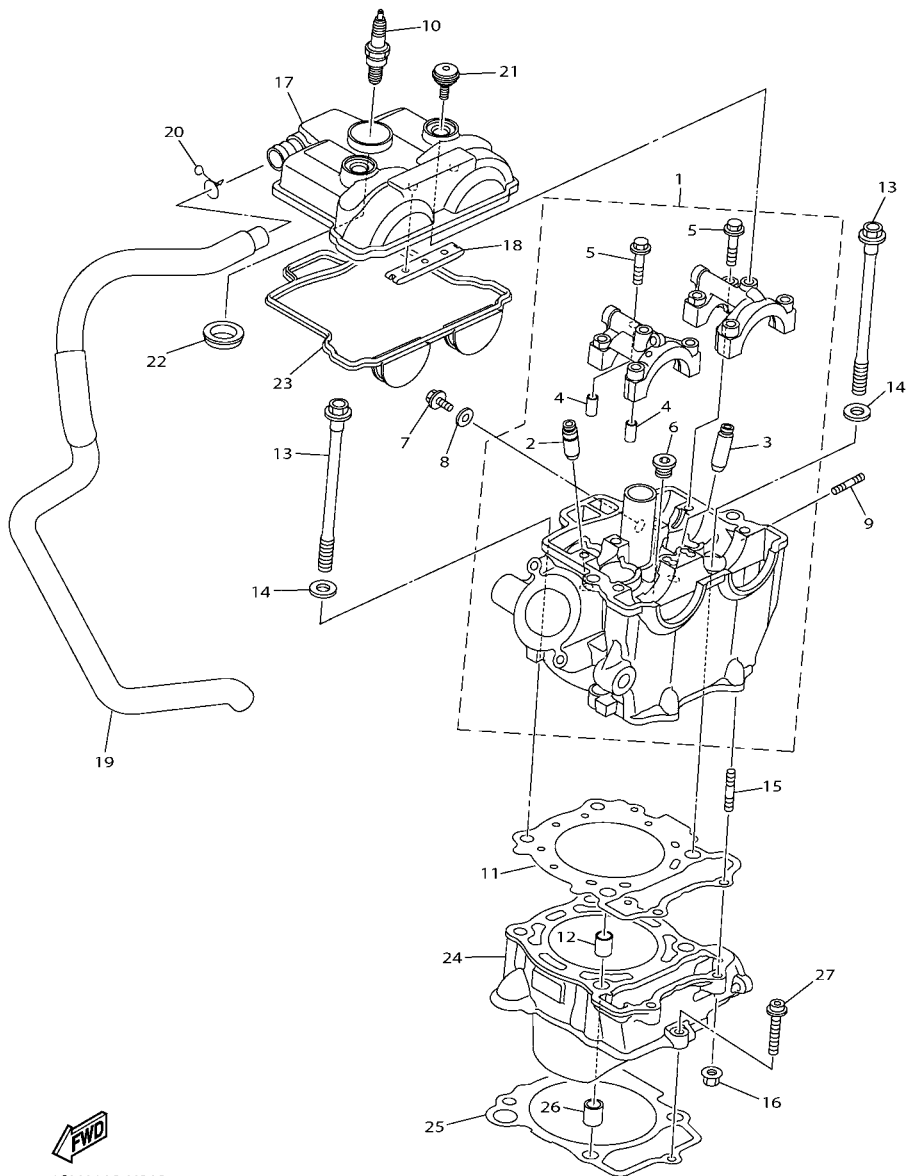
FRAME	24
FENDER	26
SIDE COVER	27
REAR ARM	29
REAR SUSPENSION	31
STEERING	32
FRONT FORK	33
FUEL TANK	36
SEAT	37
FRONT WHEEL	38
FRONT BRAKE CALIPER	39
REAR WHEEL	40
REAR BRAKE CALIPER	42
STEERING HANDLE & CABLE	43
FRONT MASTER CYLINDER	44
STAND & FOOTREST	45
REAR MASTER CYLINDER	46
GENERATOR	47
HANDLE SWITCH & LEVER	48
ELECTRICAL 1	49
ALTERNATE FOR CHASSIS	51

INDEX

NUMERICAL INDEX	52
-----------------------	----

FIG. 1 CYLINDER

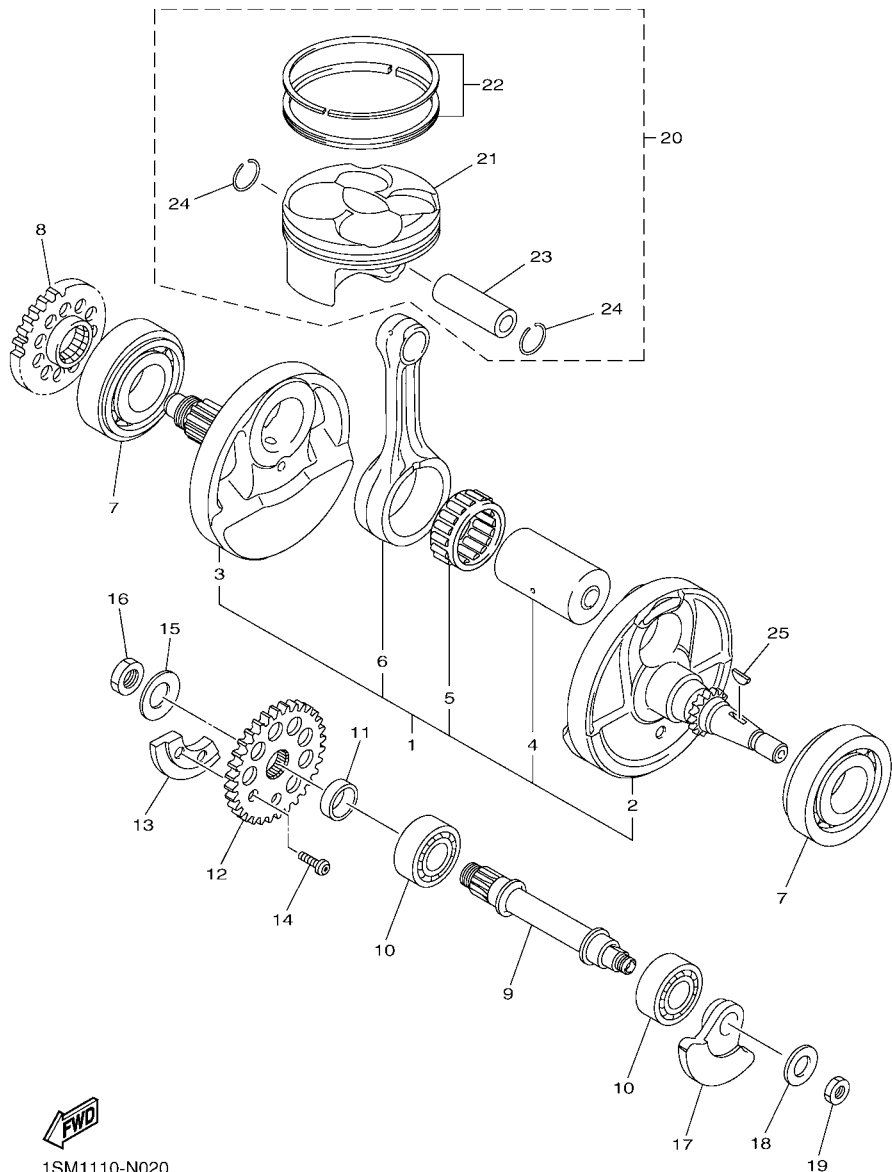
REF. NO.	PART NO.	DESCRIPTION	ISM1				REMARKS
1	1SM-11101-09	CYLINDER HEAD ASSY	1				
2	5TA-11134-10	.GUIDE, VALVE 2	2				
3	3D7-11133-10	.GUIDE, VALVE 1	2				
4	91808-16023	.PIN, DOWEL	4				
5	90105-06027	.BOLT, FLANGE	8				
6	90340-12007	.PLUG, STRAIGHT SCREW	1				
7	95022-06010	BOLT, FLANGE	1				
8	90430-06014	GASKET	1				
9	95612-08620	BOLT, STUD	2				
10	94701-00434	PLUG, SPARK (NGK LMAR8G)	1				
11	1SM-11181-00	GASKET, CYLINDER HEAD 1	1				
12	93612-16254	PIN, DOWEL	2				
13	90105-09004	BOLT, FLANGE	4				
14	90201-096J9	WASHER, PLATE	4				
15	90116-06037	BOLT, STUD	2				
16	95702-06500	NUT, FLANGE	2				
17	1SM-11190-09	COVER, CYLINDER HEAD 1	1				
18	5BE-12241-00	GUIDE, STOPPER 2	1				
19	1SM-11166-00	PIPE, BREATHER 1	1				
20	90467-140A4	CLIP	1				
21	5UM-1119E-00	BOLT, COVER HEAD	2				
22	1SM-11194-00	GASKET, HEAD COVER 2	1				
23	1SM-11193-00	GASKET, HEAD COVER 1	1				
24	1SM-11311-00	CYLINDER 1	1				
25	1SM-11351-00	GASKET, CYLINDER	1				
26	93612-16254	PIN, DOWEL	2				
27	90110-06380	BOLT, HEXAGON SOCKET HEAD	1				



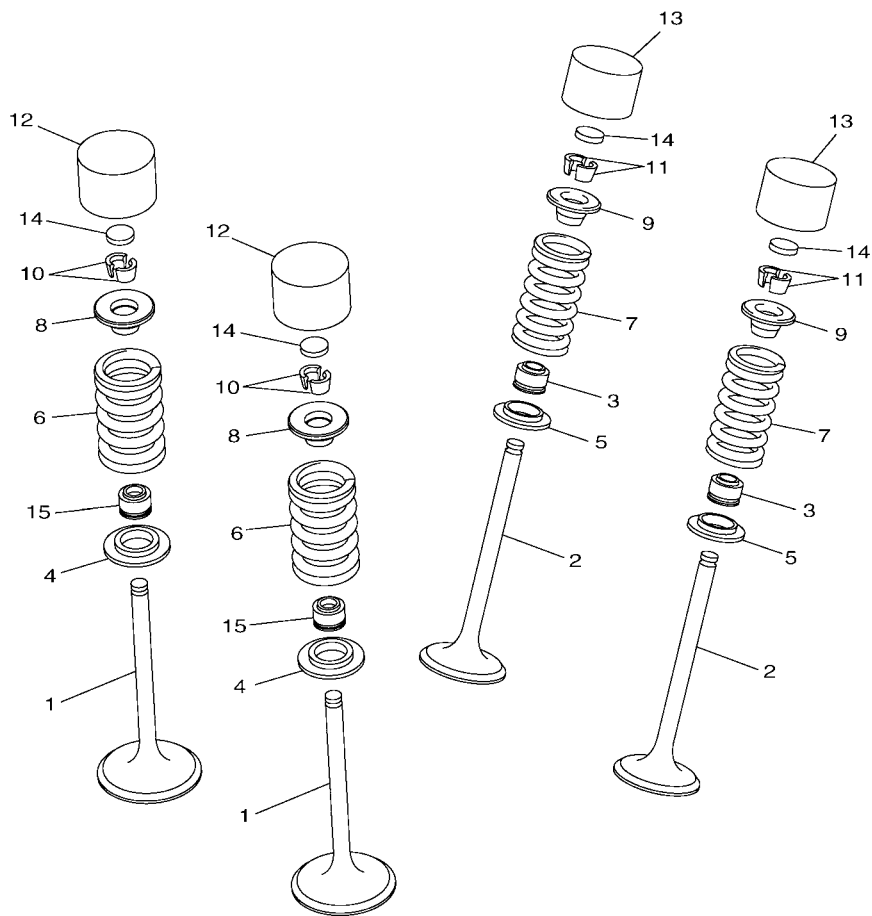
1SM1110-N010

FIG. 2 CRANKSHAFT & PISTON

REF. NO.	PART NO.	DESCRIPTION	ISM1				REMARKS
1	1SM-11400-00	CRANKSHAFT ASSY	1				
2	1SM-11412-00	.CRANK 1	1				
3	1SM-11422-00	.CRANK 2	1				
4	1SM-11681-00	.PIN, CRANK 1	1				
5	93310-63096	.BEARING	1				
6	1SM-11651-00	.ROD, CONNECTING	1				
7	93306-20648	BEARING	2				
8	1SM-11536-00	GEAR, DRIVE (30T)	1				
9	1SM-11455-00	SHAFT 1	1				
10	93306-20351	BEARING	2				
11	90387-175R2	COLLAR	1				
12	1SM-11531-00	GEAR, BALANCE WEIGHT	1				
13	1SM-11454-00	WEIGHT 1	1				
14	90149-06083	SCREW	2				
15	90208-14033	WASHER, CONICAL SPRING	1				
16	90170-14171	NUT	1				
17	1SM-11464-00	WEIGHT 2	1				
18	90208-10001	WASHER, CONICAL SPRING	1				
19	90170-10405	NUT	1				
20	1SM-116A0-00	PISTON ASSY	1				
21	1SM-11631-00	.PISTON (STD)	1				
22	1SM-11603-00	.PISTON RING SET (STD)	1				
23	1SM-11633-00	.PIN, PISTON	1				
24	93450-17129	.CIRCLIP	2				
25	90280-03006	KEY, WOODRUFF	1				



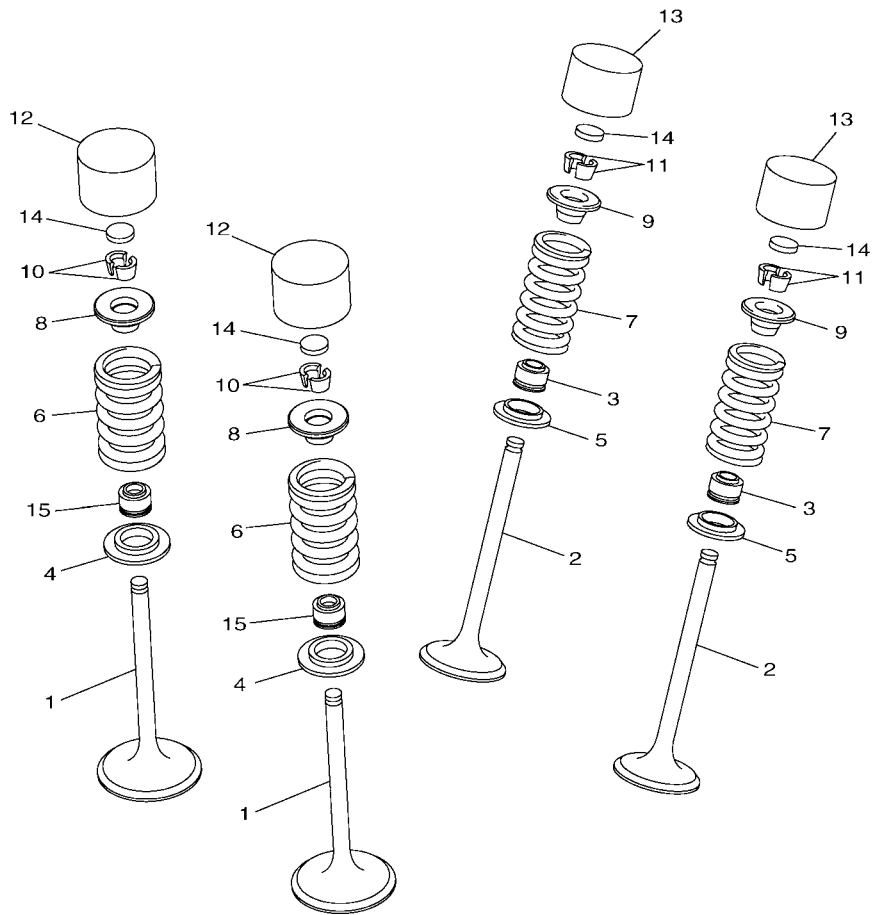
1SM1110-N020



1SM1110-N030

FIG. 3 VALVE

REF. NO.	PART NO.	DESCRIPTION	1SM1				REMARKS
1	1SM-12111-00	VALVE, INTAKE	2				
2	1SM-12121-00	VALVE, EXHAUST	2				
3	4TE-12119-00	SEAL, VALVE STEM	2				
4	1SM-12116-00	SEAT, VALVE SPRING	2				
5	1SM-12126-00	SEAT, VALVE SPRING 2	2				
6	1SM-12113-00	SPRING, VALVE INNER	2				
7	1SM-12114-00	SPRING, VALVE OUTER	2				
8	1SM-12117-00	RETAINER, VALVE SPRING	2				
9	1SM-12127-00	RETAINER, VALVE SPRING	2				
10	1AA-12118-00	LOCK, VALVE SPRING RETAINER	4				
11	1WG-12118-00	LOCK, VALVE SPRING RETAINER	4				
12	5EB-12153-10	LIFTER, VALVE	2				YELLOW
	5EB-12153-09	LIFTER, VALVE (O/S)	2				GREEN
13	3FV-12153-10	LIFTER, VALVE	2				YELLOW
	3FV-12153-09	LIFTER, VALVE (O/S)	2				GREEN
14	3LD-12168-00	PAD, ADJUSTING (1.20)	4				UR
	3LD-12168-20	PAD, ADJUSTING (1.25)	4				UR
	3LD-12168-40	PAD, ADJUSTING (1.30)	4				UR
	3LD-12168-60	PAD, ADJUSTING (1.35)	4				UR
	3LD-12168-80	PAD, ADJUSTING (1.40)	4				UR
	3LD-12168-A0	PAD, ADJUSTING (1.45)	4				UR
	3LD-12168-F0	PAD, ADJUSTING (1.50)	4				UR
	3LD-12168-H1	PAD, ADJUSTING (1.55)	4				UR
	3LD-12168-K1	PAD, ADJUSTING (1.60)	4				UR
	3LD-12168-M1	PAD, ADJUSTING (1.65)	4				UR
	3LD-12168-R1	PAD, ADJUSTING (1.70)	4				UR
	3LD-12168-U1	PAD, ADJUSTING (1.75)	4				UR



1SM1110-N030

FIG. 3 VALVE

REF. NO.	PART NO.	DESCRIPTION	1SM1			REMARKS
14	3LD-12168-W1	PAD, ADJUSTING (1.80)	4			UR
	3LD-12168-Y1	PAD, ADJUSTING (1.85)	4			UR
	3LD-12169-11	PAD, ADJUSTING (1.90)	4			UR
	3LD-12169-31	PAD, ADJUSTING (1.95)	4			UR
	3LD-12169-50	PAD, ADJUSTING (2.00)	4			UR
	3LD-12169-70	PAD, ADJUSTING (2.05)	4			UR
	3LD-12169-90	PAD, ADJUSTING (2.10)	4			UR
	3LD-12169-E0	PAD, ADJUSTING (2.15)	4			UR
	3LD-12169-G0	PAD, ADJUSTING (2.20)	4			UR
	3LD-12169-J0	PAD, ADJUSTING (2.25)	4			UR
	3LD-12169-L0	PAD, ADJUSTING (2.30)	4			UR
	3LD-12169-N0	PAD, ADJUSTING (2.35)	4			UR
	3LD-12169-T0	PAD, ADJUSTING (2.40)	4			UR
15	33M-12119-00	SEAL, VALVE STEM	2			

FIG. 4 CAMSHAFT & CHAIN

REF. NO.	PART NO.	DESCRIPTION	ISM1					REMARKS
1	1SM-12170-00	CAMSHAFT ASSY 1	1					
2	1SM-12180-00	CAMSHAFT ASSY 2	1					
3	93440-41178	CIRCLIP	2					
4	5TA-12210-10	TENSIONER ASSY, CAM CHAIN	1					
5	5EL-12214-00	.GASKET	1					
6	5EL-12228-00	.BOLT	1					
7	4FM-12213-00	GASKET, TENSIONER CASE	1					
8	90105-06148	BOLT, FLANGE	2					
9	94591-57114	CHAIN	1					
10	1SM-12251-00	DAMPER, CHAIN 1	1					
11	1SM-12252-10	DAMPER, CHAIN 2	1					
12	1SL-12233-00	PLATE, GUIDE STOPPER 1	1					
13	90151-06024	SCREW, COUNTERSUNK	1					

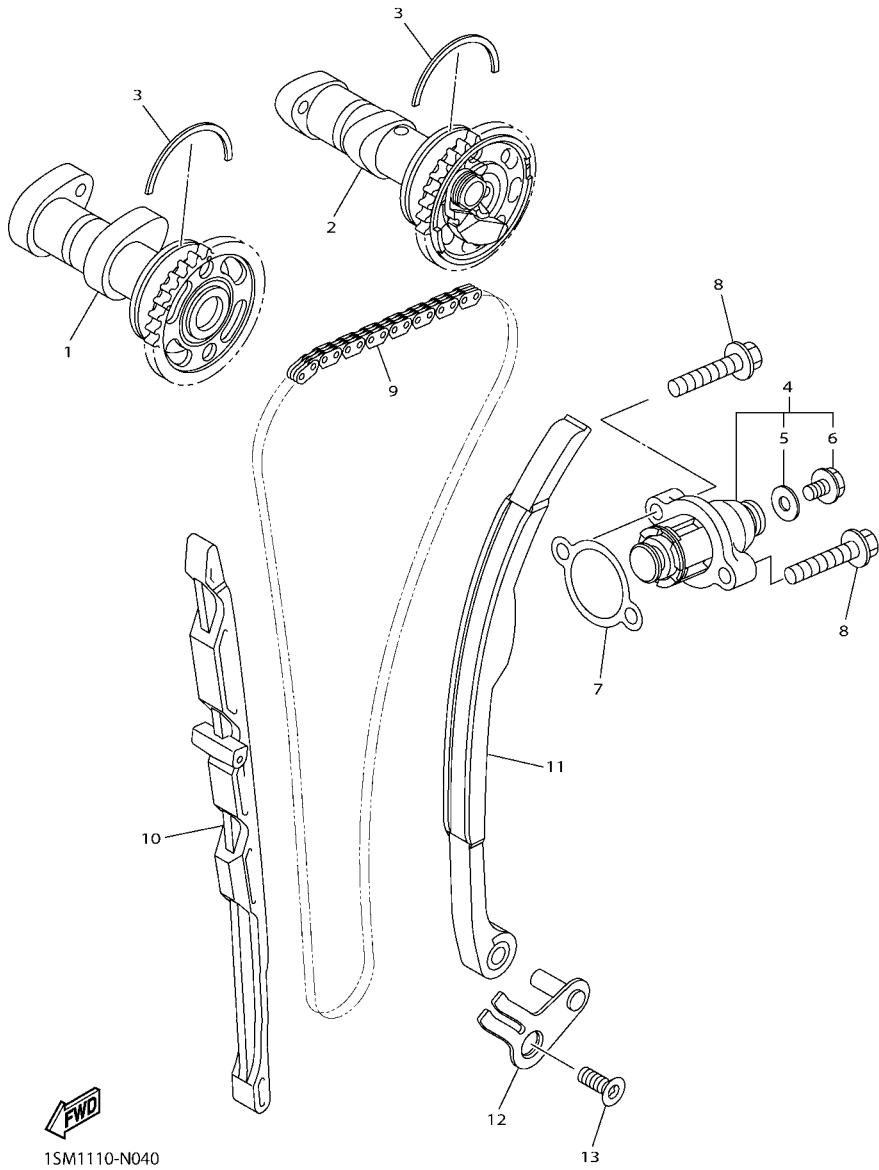
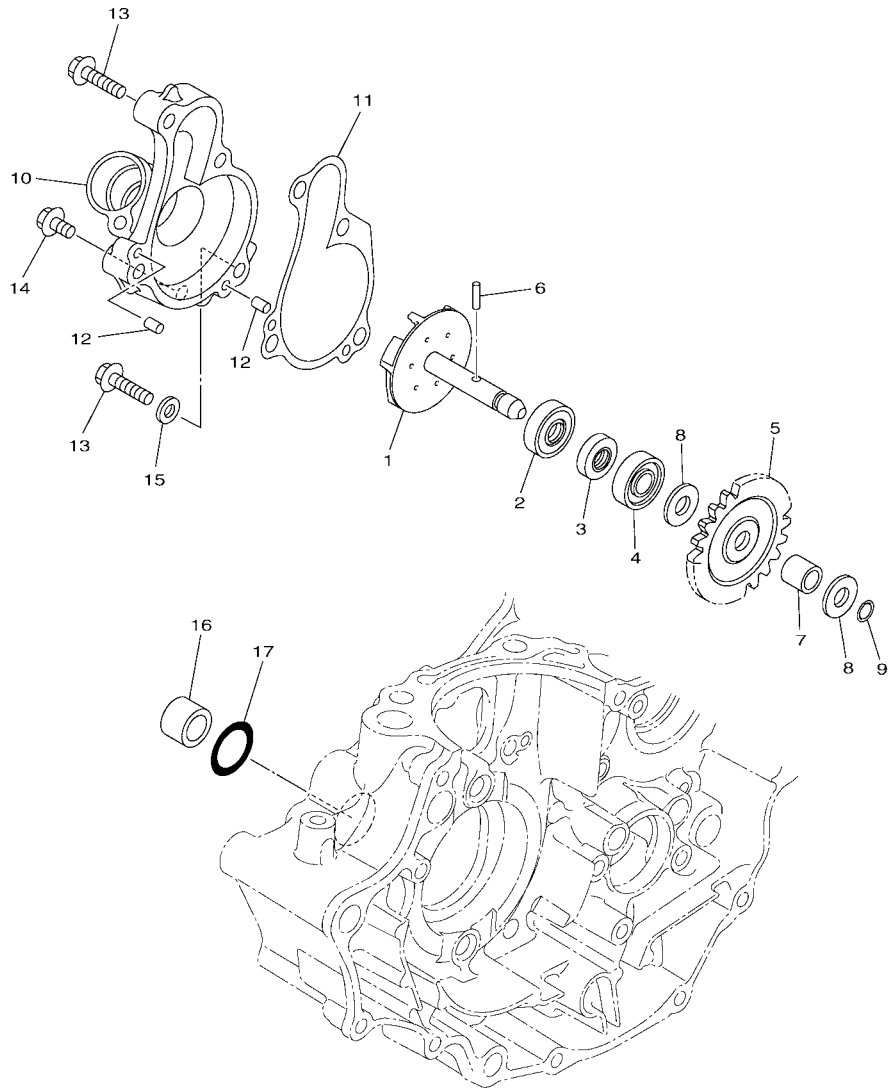


FIG. 5 WATER PUMP

REF. NO.	PART NO.	DESCRIPTION	ISM1				REMARKS
1	1SM-12450-00	IMPELLER SHAFT ASSY	1				
2	93102-08004	OIL SEAL	1				
3	93102-08307	OIL SEAL	1				
4	93300-60801	BEARING	1				KOYO
5	1SM-12453-00	GEAR	1				
6	93603-12007	PIN, DOWEL	1				
7	90387-08032	COLLAR	1				
8	90201-08512	WASHER, PLATE	2				
9	93440-07182	CIRCLIP	1				
10	33D-12422-00	COVER, HOUSING	1				
11	33D-12427-00	GASKET, HOUSING COVER 1	1				
12	93604-10011	PIN, DOWEL	2				
13	95022-06025	BOLT, FLANGE	4				
14	95022-06010	BOLT, FLANGE	1				
15	90430-06014	GASKET	1				
16	5NL-12564-00	PIPE, WATER	1				
17	93210-16716	O-RING	1				



1SM1110-N050

FIG. 6 RADIATOR & HOSE

REF. NO.	PART NO.	DESCRIPTION	ISM1				REMARKS
1	1SL-12482-00	PIPE 2	1				
2	95022-06012	BOLT, FLANGE	1				
3	93210-16500	O-RING	1				
4	1SM-12446-00	JOINT	1				
5	93210-16275	O-RING	1				
6	95022-06020	BOLT, FLANGE	1				
7	1SL-1240A-00	RADIATOR ASSY	1				
8	1SL-12461-00	RADIATOR COMP	1				
9	5SL-12462-00	CAP, RADIATOR	1				
10	33D-12465-00	DAMPER, RADIATOR	2				
11	5YT-24665-00	DAMPER	1				
12	91A20-05065	TUBE, FLEXIBLE VINYL	1				
13	90467-090A2	CLIP	1				
14	1SM-12576-00	HOSE 1	1				
15	1SL-12577-00	HOSE 2	1				
16	1SM-12578-00	HOSE 3	1				
17	1SM-12579-00	HOSE 4	1				
18	90450-28001	HOSE CLAMP ASSY	3				
19	90450-25001	HOSE CLAMP ASSY	3				
20	90450-22001	HOSE CLAMP ASSY	2				
21	90480-15012	GROMMET	4				
22	90387-06065	COLLAR	4				
23	90119-06262	BOLT, WITH WASHER	4				

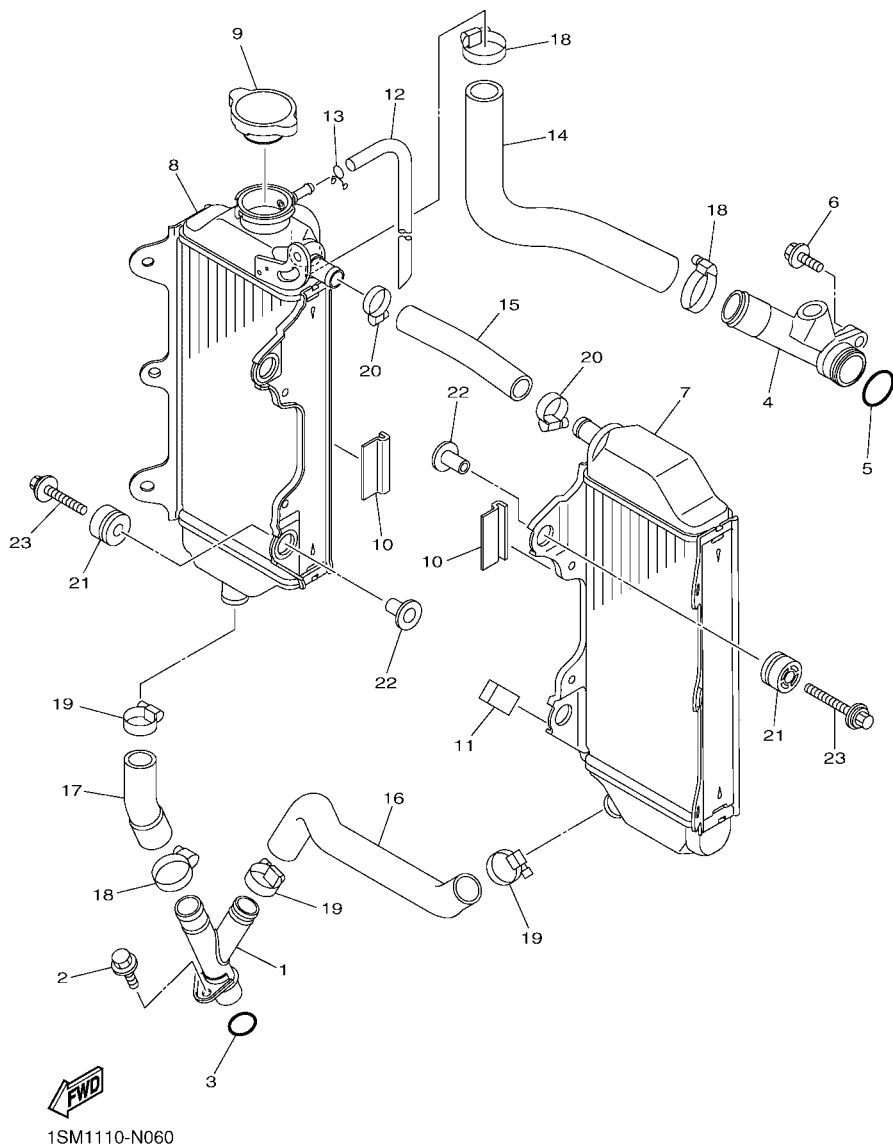
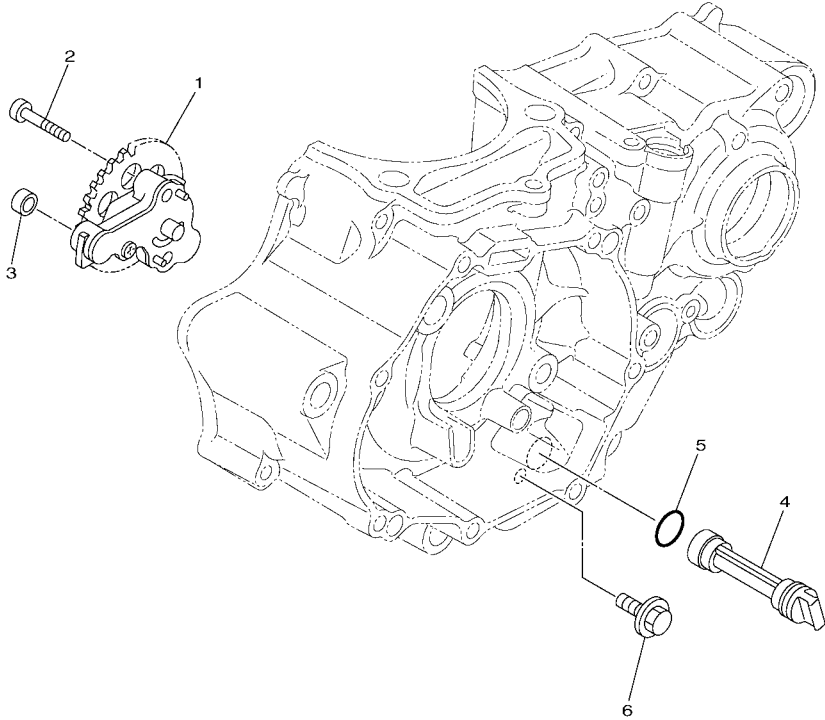


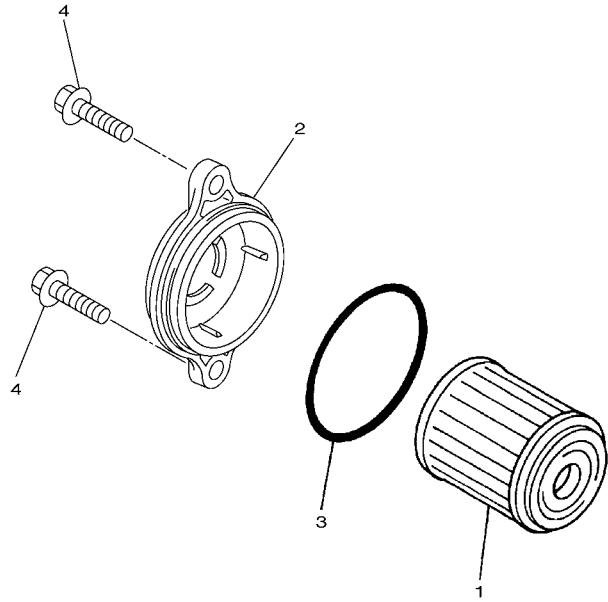
FIG. 7 OIL PUMP



1SM1110-N070

REF. NO.	PART NO.	DESCRIPTION	1SM1				REMARKS
1	1SM-13300-00	OIL PUMP ASSY	1				
2	90110-05033	BOLT, HEXAGON SOCKET HEAD	2				
3	90430-06156	GASKET	1				
4	1SL-13411-00	STRAINER, OIL	1				
5	93210-12010	O-RING	1				
6	90159-06021	SCREW, WITH WASHER	1				

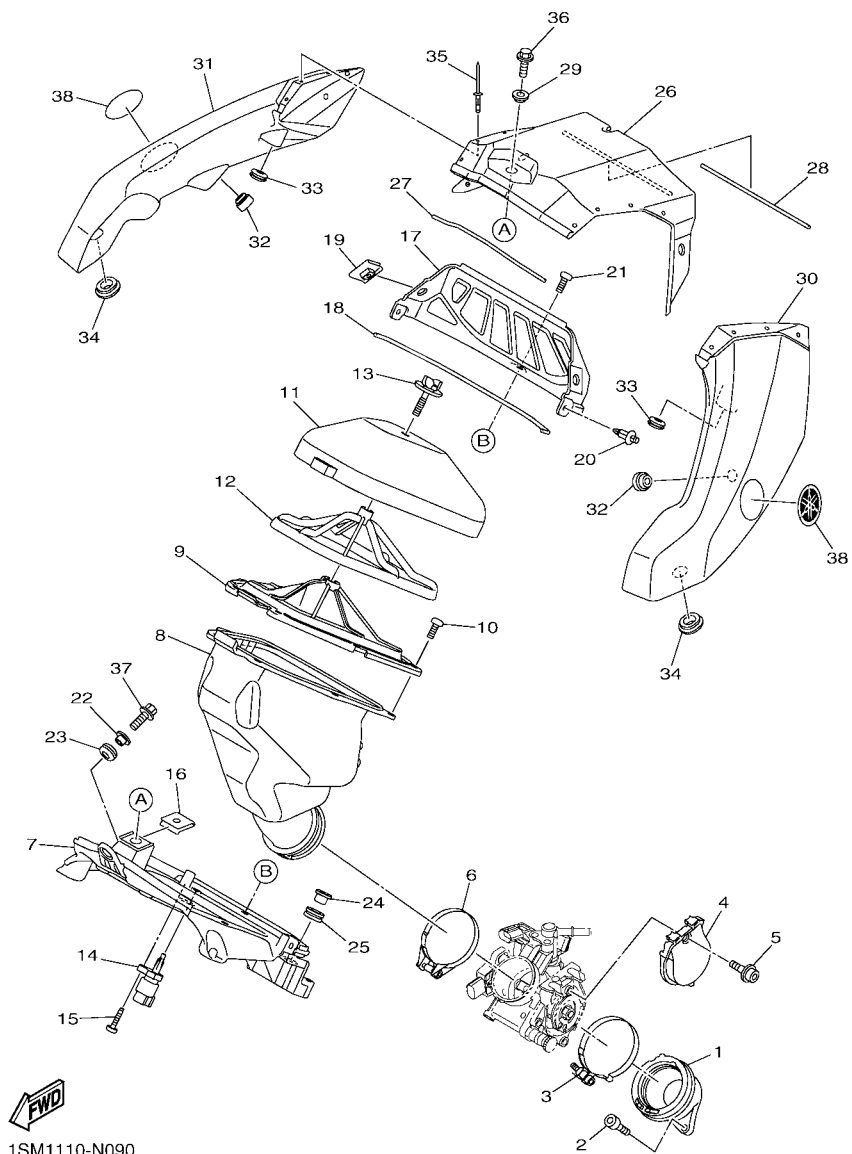
FIG. 8 OIL CLEANER



REF. NO.	PART NO.	DESCRIPTION	ISM1				REMARKS
1	5D3-13440-01	ELEMENT ASSY, OIL CLEANER	1				
2	1SL-13447-00	COVER, OIL ELEMENT	1				
3	93210-45708	O-RING	1				
4	95022-06016	BOLT, FLANGE	2				



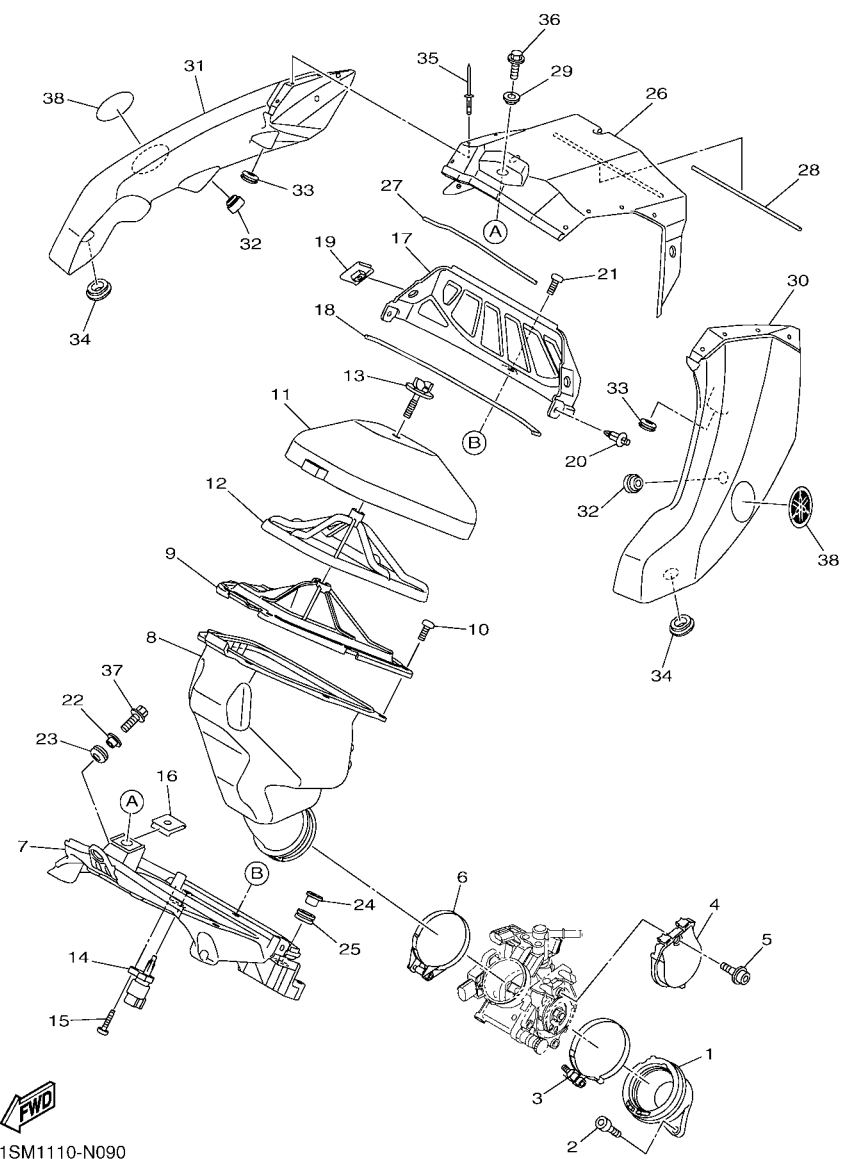
1SL1110-N080



FWD
1SM1110-N090

FIG. 9 INTAKE

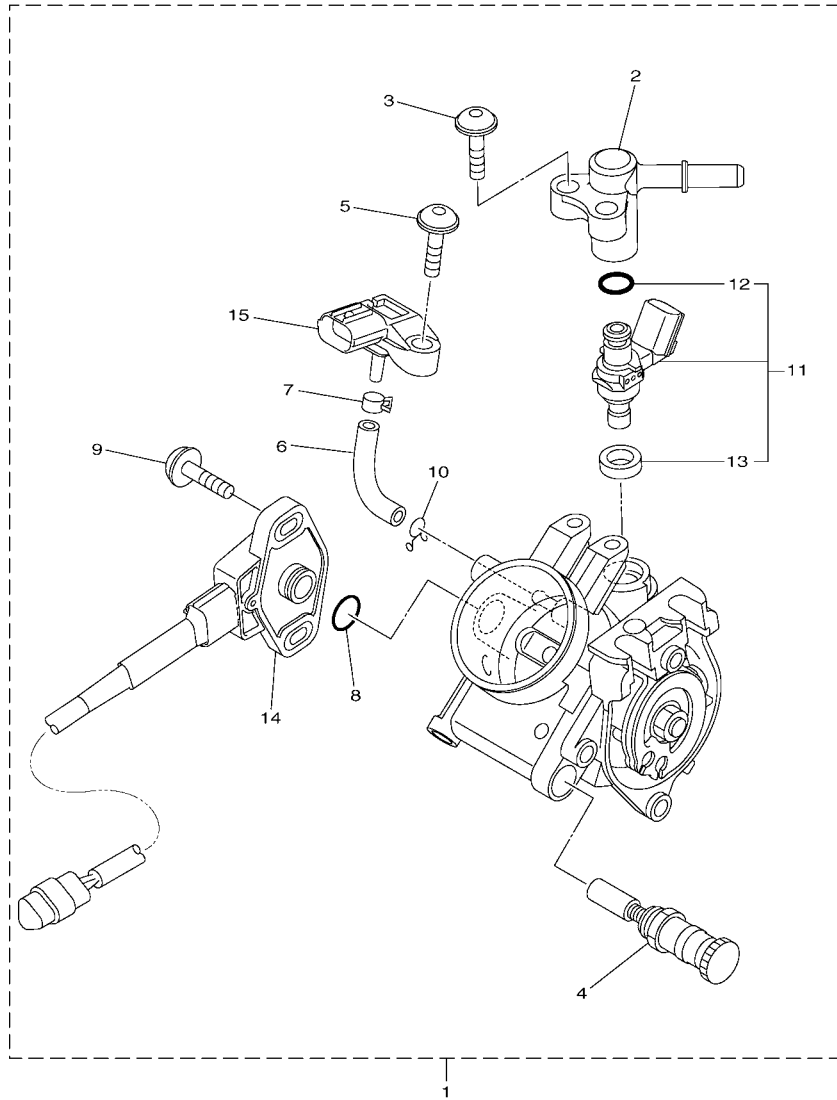
REF. NO.	PART NO.	DESCRIPTION	1SM1				REMARKS
1	1SM-13597-00	JOINT, CARBURETOR 3	1				
2	91312-06020	BOLT	2				
3	90450-60004	HOSE CLAMP ASSY	1				
4	1SL-14293-00	COVER 1	1				
5	90110-05066	BOLT, HEXAGON SOCKET HEAD	1				
6	90450-58007	HOSE CLAMP ASSY	1				
7	1SL-14411-00	CASE, AIR CLEANER 1	1				
8	1SM-14453-00	JOINT, AIR CLEANER 1	1				
9	1SL-14459-00	HOLDER, GUIDE	1				
10	98502-05014	SCREW, PAN HEAD	8				
11	1SL-14451-00	ELEMENT, AIR CLEANER	1				
12	1SL-14458-00	GUIDE	1				
13	1SL-14428-00	BOLT	1				
14	8FP-85886-00	SENSOR, AIR TEMPERATURE	1				
15	97702-50520	SCREW, TAPPING	1				
16	90183-061A0	NUT, SPRING	1				
17	1SL-14422-00	CAP, CLEANER CASE 2	1				
18	1SL-14462-00	SEAL	1				
19	90183-061A0	NUT, SPRING	2				
20	90269-06008	RIVET	2				
21	98502-05014	SCREW, PAN HEAD	1				
22	90387-087L0	COLLAR	1				
23	90480-12237	GROMMET	1				
24	1SL-14442-00	SPACER	2				
25	90480-01027	GROMMET	2				
26	1SL-14412-00	CAP, CLEANER CASE 1	1				UR FOR DPBSE
	1SL-14412-10	CAP, CLEANER CASE 1	1				UR FOR PWS1



FWD
1SM1110-N090

FIG. 9 INTAKE

REF. NO.	PART NO.	DESCRIPTION	1SM1				REMARKS
27	1SL-14452-00	SEAL	1				
28	1SL-14457-00	SEAL	1				
29	90387-07045	COLLAR	3				
30	1SL-14437-00	DUCT	1				
31	1SL-1443A-00	DUCT	1				
32	90480-11298	GROMMET	2				
33	90480-12237	GROMMET	2				
34	90480-01558	GROMMET	2				
35	90267-41004	RIVET, BLIND	12				UR FOR DPBSE
	90267-40014	RIVET, BLIND	12				UR FOR PWS1
36	90105-06170	BOLT, FLANGE	3				
37	90105-06203	BOLT, FLANGE	3				
38	1SL-2175C-00	TUNING FORK MARK	2				

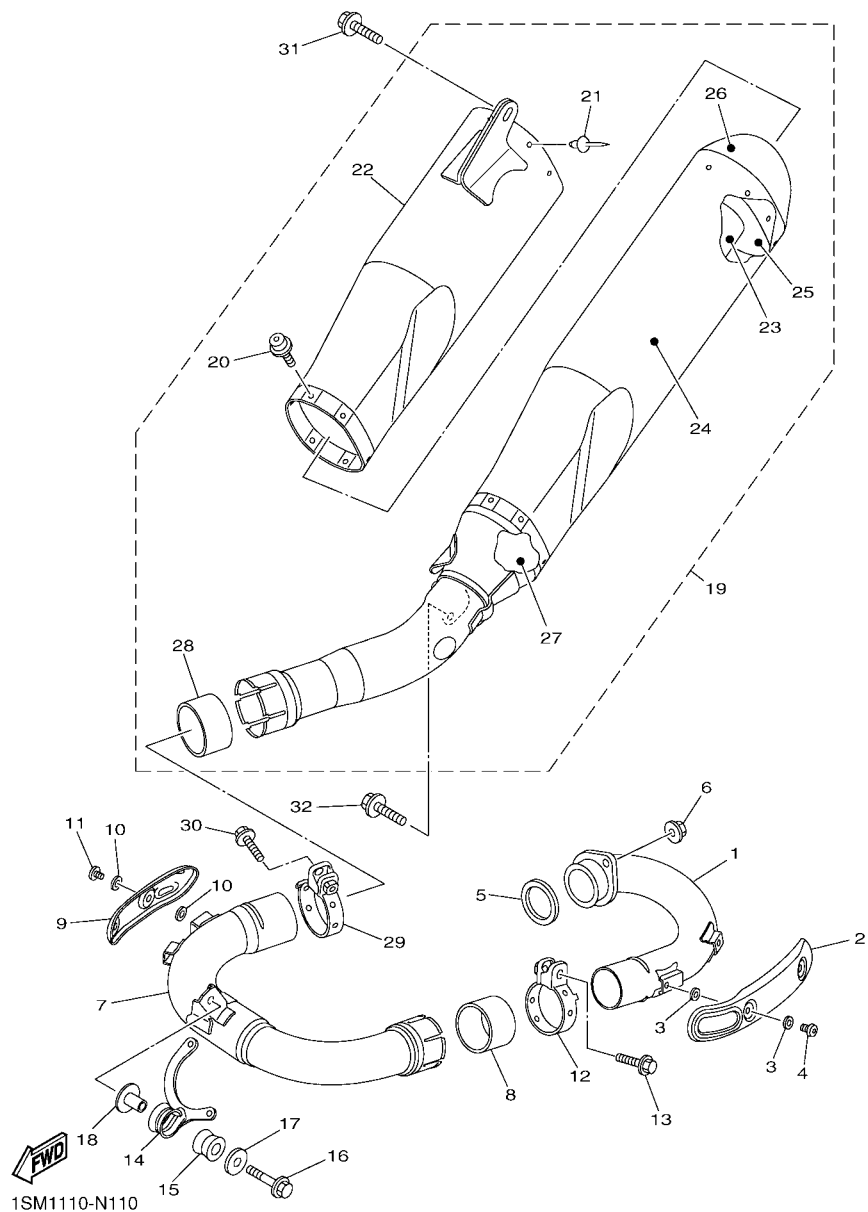


1SM1110-N100

FIG. 10 INTAKE 2

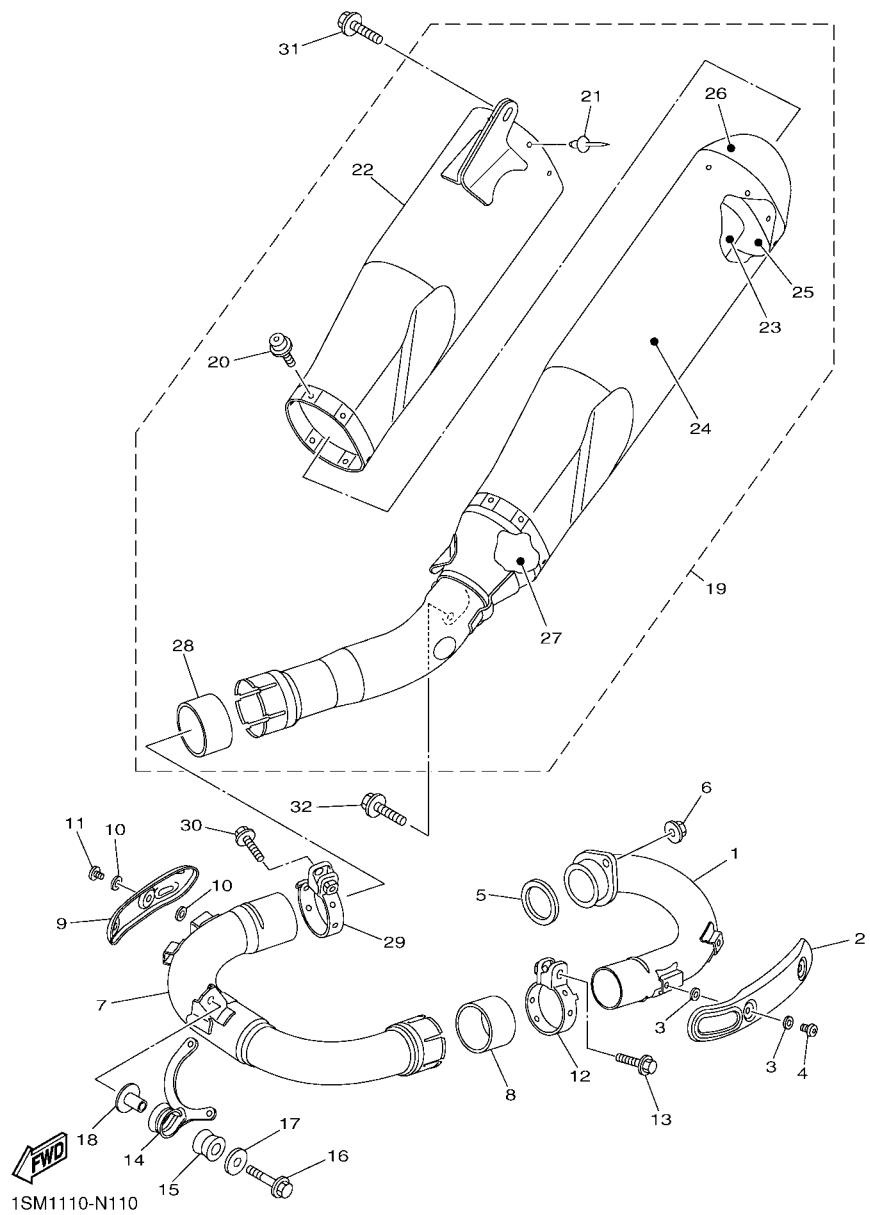
REF. NO.	PART NO.	DESCRIPTION	1SM1				REMARKS
1	1SM-13750-00	THROTTLE BODY ASSY	1				
2	1SM-13938-00	.PIPE	1				
3	33D-14486-00	.SCREW, ROD	2				
4	1SL-14171-00	.PLUNGER, STARTER	1				
5	33D-14325-00	.SCREW, PAN HEAD	1				
6	33D-14348-00	.PIPE 1	1				
7	33D-13577-00	.CLIP	1				
8	1DX-14562-00	.O-RING	1				
9	1DX-14216-00	.SCREW	1				
10	3TJ-14137-40	.CLIP	1				
11	1SM-13761-00	.INJECTOR	1				
12	1SM-14147-00	..O-RING	1				
13	1SM-141A1-00	..SEAL RING	1				
14	1SL-85885-00	.THROTTLE SENSOR ASSY	1				
15	2C0-82380-00	.SENSOR, PRESSURE	1				

FIG. 11 EXHAUST



REF. NO.	PART NO.	DESCRIPTION	ISM1				REMARKS
1	1SM-14611-00	PIPE, EXHAUST 1	1				
2	1SL-14628-00	PROTECTOR, EXHAUST PIPE	1				
3	90201-05017	WASHER, PLATE	4				
4	98980-06008	SCREW, BIND	2				
5	5NL-14613-00	GASKET, EXHAUST PIPE	1				
6	95702-08500	NUT, FLANGE	2				
7	1SM-14621-00	PIPE, EXHAUST 2	1				
8	5PX-14755-00	GASKET, SILENCER	1				
9	1SL-1463B-00	PROTECTOR, EXT. PIPE 2	1				
10	90201-05017	WASHER, PLATE	4				
11	98980-06008	SCREW, BIND	2				
12	1SM-14788-00	BAND, SILENCER	1				
13	95024-08040	BOLT, FLG.(SMALL HEAD)	1				
14	1SM-14639-00	STAY, EXHAUST PIPE 1	1				
15	5VY-14747-00	DAMPER, MUFFLER	1				
16	90105-08137	BOLT, FLANGE	1				
17	90201-08061	WASHER, PLATE	1				
18	90387-08081	COLLAR	1				
19	1SM-14750-00	SILENCER ASSY	1				
20	90110-05064	.BOLT, HEXAGON SOCKET HEAD	6				
21	90267-48121	.RIVET, BLIND	8				
22	1SM-1466G-00	.BODY, SILENCER	1				
23	1SM-1469A-00	.FIBER	1				
24	1SM-1477E-00	.FIBER 2	1				
25	1SL-1469F-00	.FIBER	1				
26	1SL-1477G-00	.FIBER 4	1				
27	1SL-1477H-00	.FIBER 5	1				

FIG. 11 EXHAUST



REF. NO.	PART NO.	DESCRIPTION	1SM1					REMARKS
28	1SL-14714-00	.GASKET, MUFFLER	1					
29	1SL-14715-00	BAND, MUFFLER	1					
30	95024-08040	BOLT, FLG.(SMALL HEAD)	1					
31	90119-08133	BOLT, WITH WASHER	1					
32	90105-08230	BOLT, FLANGE	1					
<hr/>								
<hr/>								
<hr/>								
<hr/>								
<hr/>								
<hr/>								
<hr/>								
<hr/>								
<hr/>								
<hr/>								

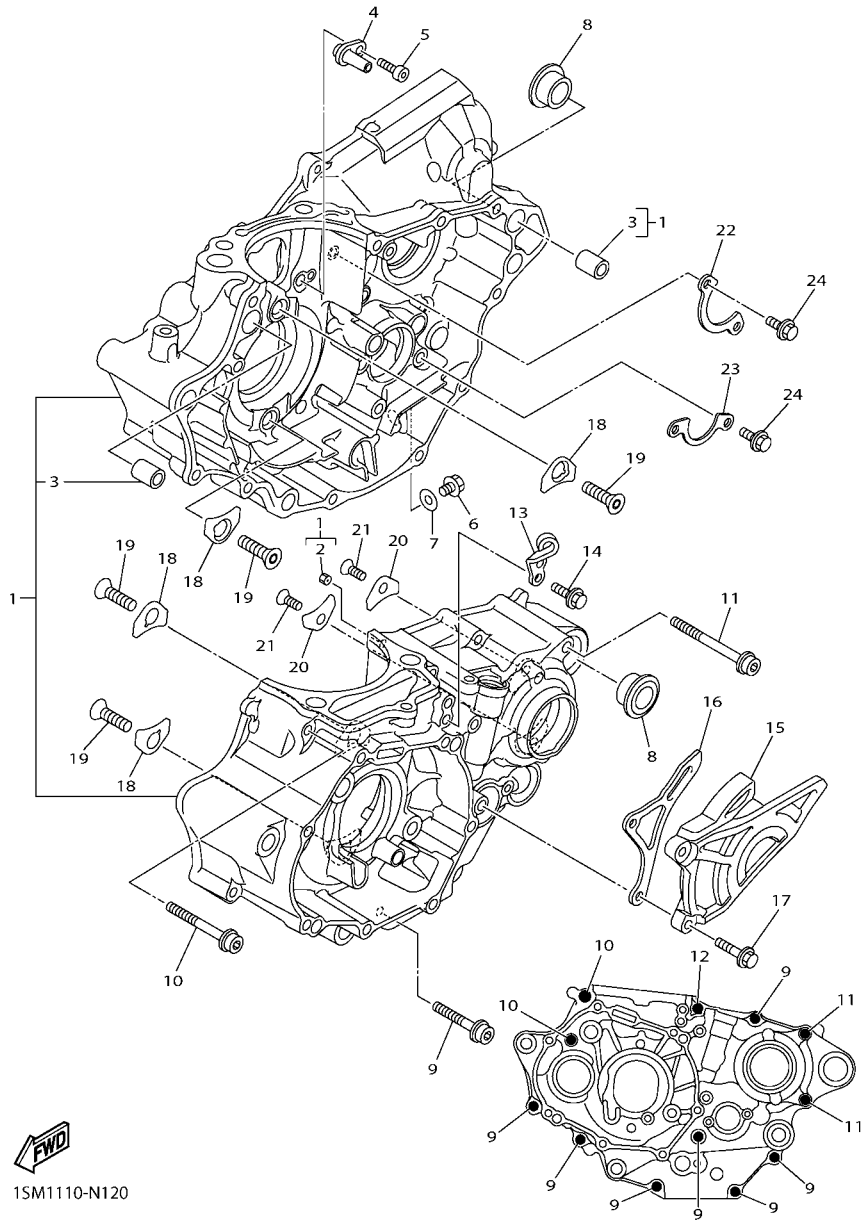
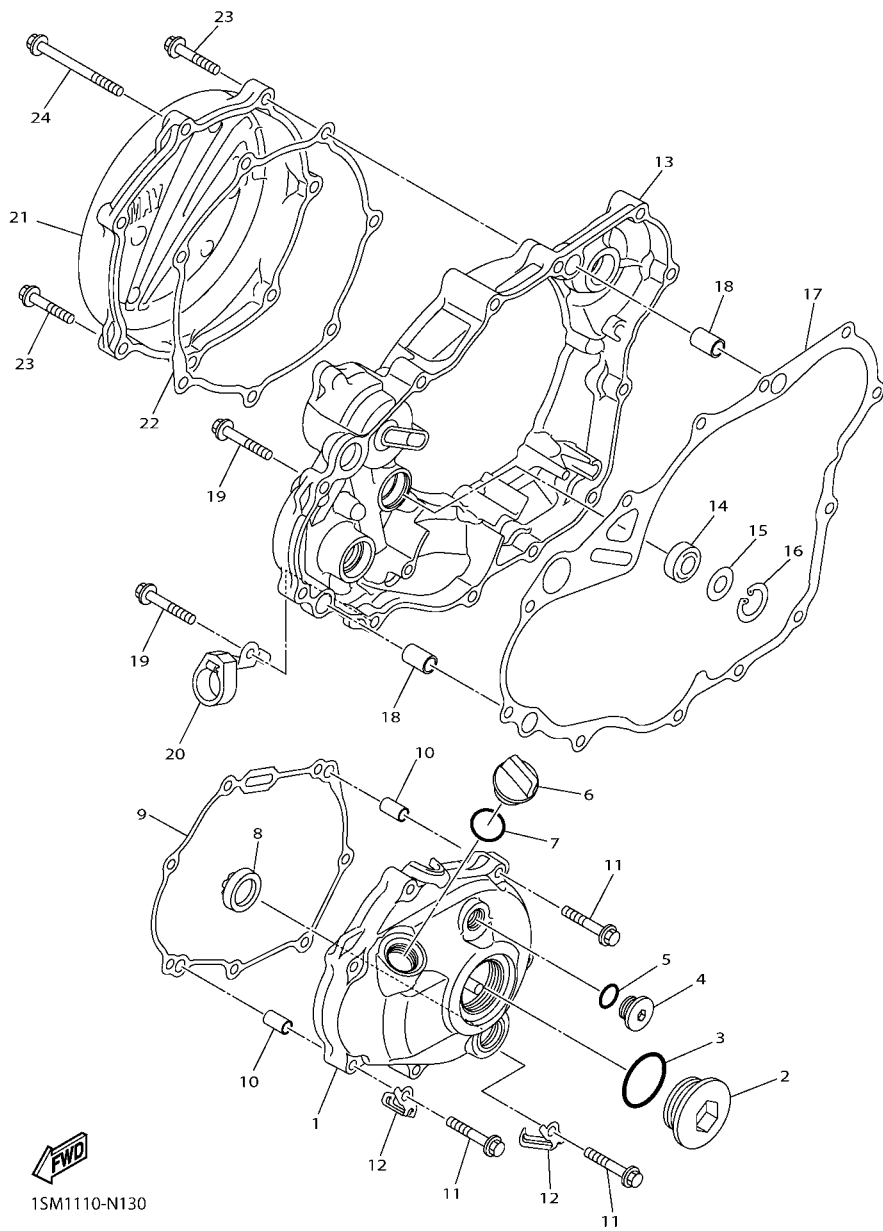


FIG. 12 CRANKCASE

REF. NO.	PART NO.	DESCRIPTION	ISM1				REMARKS
1	1SM-15100-09	CRANKCASE ASSY	1				
2	1SM-15138-00	.NOZZLE 1	1				
3	99530-14016	.PIN, DOWEL	2				
4	1SM-15155-00	NOZZLE 3	1				
5	90110-05032	BOLT, HEXAGON SOCKET HEAD	1				
6	95022-10016	BOLT, FLANGE	1				
7	90430-10188	GASKET	1				
8	90387-17015	COLLAR	2				
9	90110-06391	BOLT, HEXAGON SOCKET HEAD	7				
10	91312-06060	BOLT	2				
11	90110-06392	BOLT, HEXAGON SOCKET HEAD	2				
12	91317-06075	BOLT	1				
13	1SL-15441-00	HOLDER, CLUTCH CABLE	1				
14	90105-06099	BOLT, FLANGE	2				
15	1SL-15421-00	COVER, CRANKCASE 2	1				
16	1SL-17466-00	GUIDE, CHAIN	1				
17	90105-06189	BOLT, FLANGE	2				
18	18P-15383-00	PLATE, BEARING COVER	4				
19	90151-08007	SCREW, COUNTERSUNK	4				
20	4JT-15381-01	PLATE, BEARING COVER	2				
21	90149-06074	SCREW	2				
22	1SM-15388-00	PLATE, BEARING COVER	1				
23	1SL-18562-00	PLATE, STOPPER 2	1				
24	90105-06081	BOLT, FLANGE	4				



1SM1110-N120

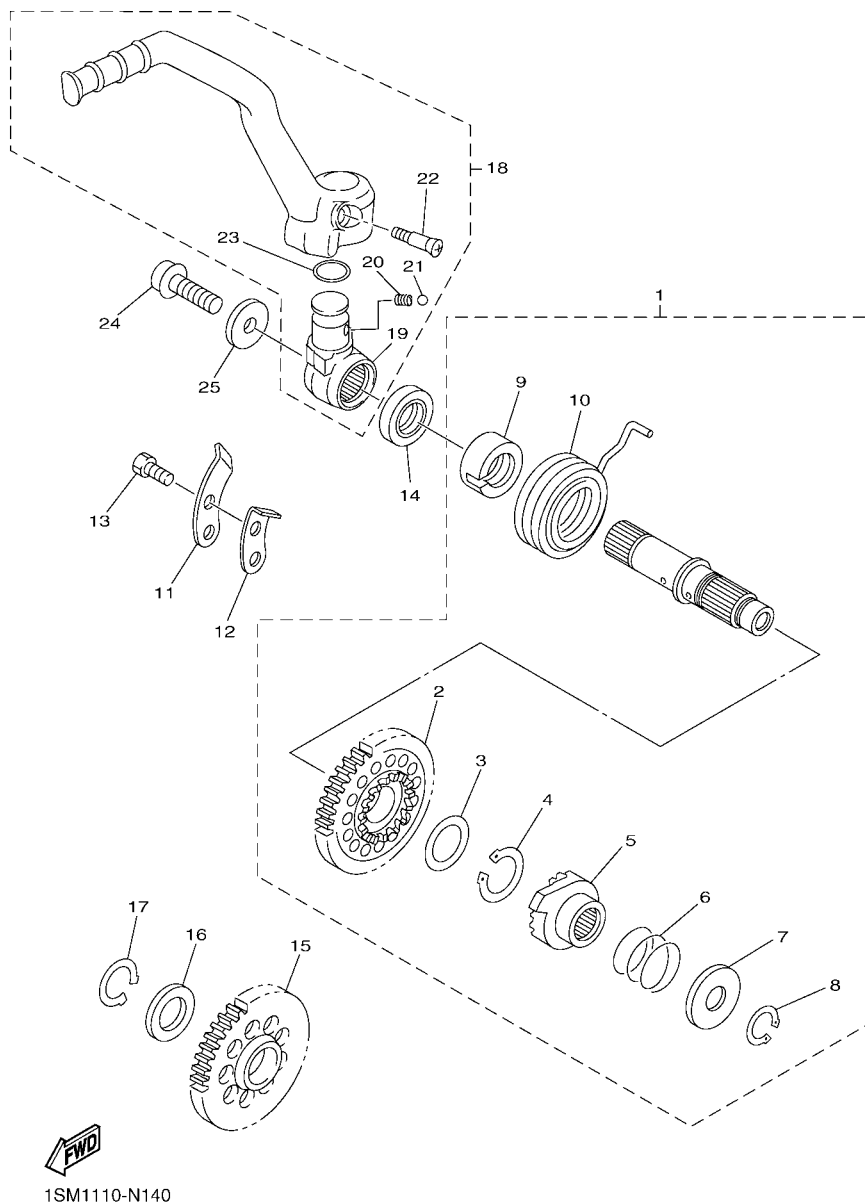


1SM1110-N130

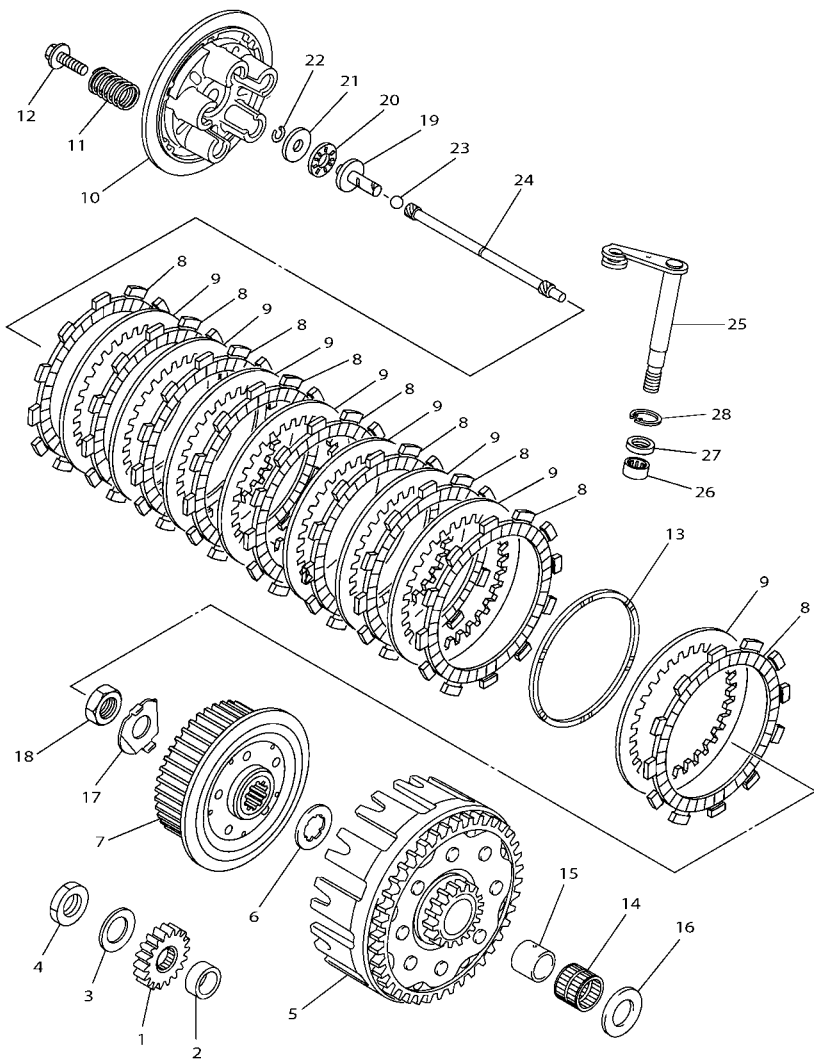
FIG. 13 CRANKCASE COVER 1

REF. NO.	PART NO.	DESCRIPTION	1SM1				REMARKS
1	1SM-15411-00	COVER, CRANKCASE 1	1				
2	90340-36002	PLUG, STRAIGHT SCREW	1				
3	93210-357A3	O-RING	1				
4	90340-14011	PLUG, STRAIGHT SCREW	1				
5	93210-14369	O-RING	1				
6	3Y1-15363-10	PLUG, OIL	1				
7	93210-19123	O-RING	1				
8	3Y1-15361-00	GAUGE, LEVEL	1				
9	1SM-15451-00	GASKET, CRANKCASE COVER 1	1				
10	99530-08016	PIN, DOWEL	2				
11	95022-06030	BOLT, FLANGE	7				
12	90465-08062	CLAMP	2				
13	1SM-15431-00	COVER, CRANKCASE 3	1				
14	93101-14164	OIL SEAL	1				
15	90201-15701	WASHER, PLATE (T=1.0)	1				
16	99009-22500	CIRCLIP	1				
17	1SM-15462-00	GASKET, CRANKCASE COVER 3	1				
18	99530-12016	PIN, DOWEL	2				
19	90105-06102	BOLT, FLANGE	11				
20	17D-15378-00	HOLDER	1				
21	1SM-15415-00	COVER, GENERATOR	1				
22	1SM-15453-00	GASKET	1				
23	95022-06025	BOLT, FLANGE	6				
24	95022-06060	BOLT, FLANGE	1				

FIG. 14 STARTER



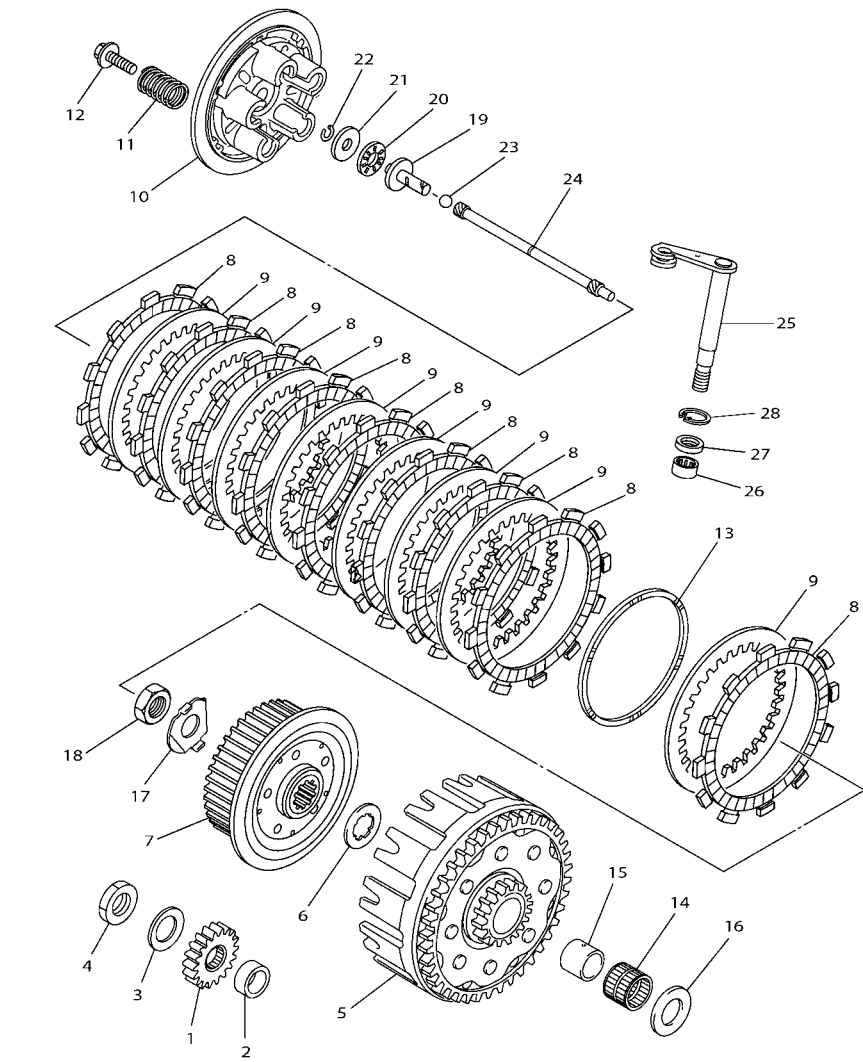
REF. NO.	PART NO.	DESCRIPTION	1SM1				REMARKS
1	1SM-15601-00	KICK SHAFT ASSY	1				
2	1SM-15641-00	.GEAR, KICK	1				
3	90201-20685	.WASHER, PLATE (T=0.5)	1				
4	93410-20038	.CIRCLIP	1				
5	2S2-15671-00	.WHEEL, RATCHET	1				
6	90501-160A2	.SPRING, COMPRESSION	1				
7	90201-167P7	.WASHER, PLATE	1				
8	99009-16400	.CIRCLIP	1				
9	5NL-15664-00	.GUIDE, SPRING	1				
10	90508-30743	.SPRING, TORSION	1				
11	214-15674-00	GUIDE, RATCHET WHEEL	1				
12	2NX-15668-00	STOPPER	1				
13	90101-06044	BOLT	2				
14	93102-18278	OIL SEAL	1				
15	1SM-15651-00	GEAR, KICK IDLE	1				
16	90201-177G4	WASHER, PLATE	1				
17	99009-17400	CIRCLIP	1				
18	1SM-15620-00	KICK CRANK ASSY	1				
19	1SM-15621-00	.BOSS, KICK CRANK	1				
20	90501-147A5	.SPRING, COMPRESSION	1				
21	93507-32009	.BALL	1				
22	90151-06045	.SCREW, COUNTERSUNK	1				
23	93210-17570	.O-RING	1				
24	90110-08051	BOLT, HEXAGON SOCKET HEAD	1				
25	90201-08048	WASHER, PLATE	1				



1SM1110-N150

FIG. 15 CLUTCH

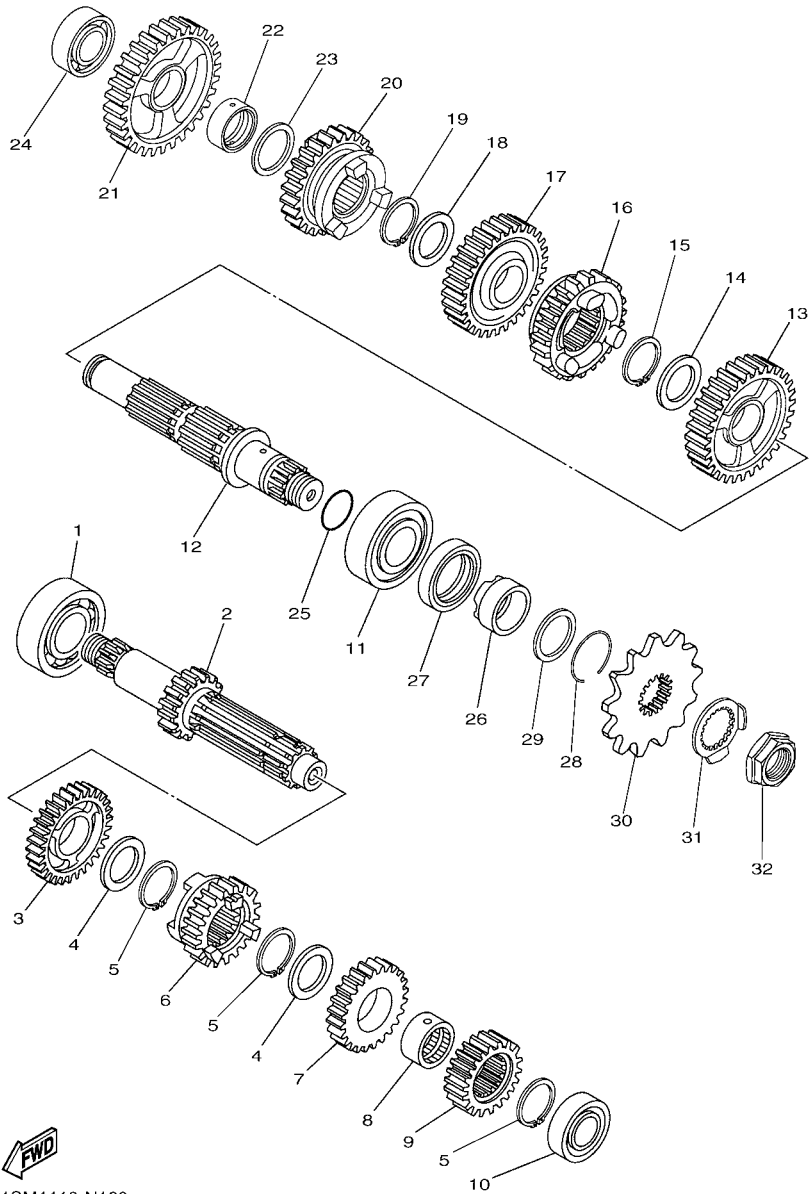
REF. NO.	PART NO.	DESCRIPTION	1SM1				REMARKS
1	1SM-16111-00	GEAR, PRIMARY DRIVE	1				
2	90387-19008	COLLAR	1				
3	90208-16019	WASHER, CONICAL SPRING	1				
4	90170-16003	NUT	1				
5	1SM-16150-00	PRIMARY DRIVEN GEAR COMP.	1				
6	1SM-16154-00	PLATE, THRUST 1	1				
7	5NL-16371-40	BOSS, CLUTCH	1				
8	5XC-16321-00	PLATE, FRICTION	9				
9	5NL-16325-00	PLATE, CLUTCH 2	8				
10	1SM-16351-00	PLATE, PRESSURE 1	1				
11	90501-230A6	SPRING, COMPRESSION	5				
12	90159-06029	SCREW, WITH WASHER	5				
13	1SM-16383-00	SPRING., CUSHION	1				
14	93310-225N0	BEARING	1				
15	1SM-16181-00	SPACER 1	1				
16	90201-20611	WASHER, PLATE	1				
17	90215-16289	WASHER, LOCK	1				
18	90170-16326	NUT	1				
19	1SM-16356-00	ROD, PUSH 1	1				
20	93340-21008	BEARING	1				
21	90201-080H1	WASHER, PLATE	1				
22	93440-07182	CIRCLIP	1				
23	93511-32027	BALL	1				
24	1SM-16357-00	ROD, PUSH 2	1				
25	1SM-16381-00	PUSH LEVER COMP.	1				
26	93317-11096	BEARING	1				
27	93102-10008	OIL SEAL	1				



1SM1110-N150

FIG. 15 CLUTCH

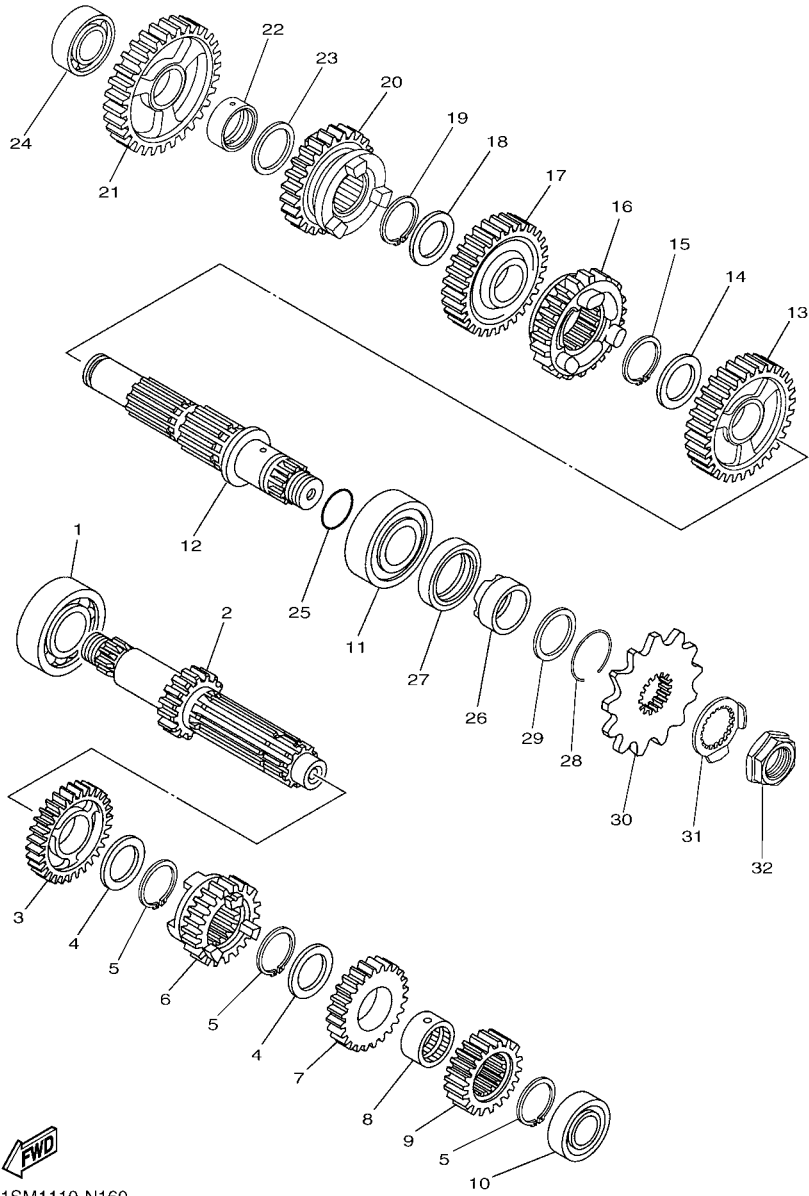
REF. NO.	PART NO.	DESCRIPTION	1SM1	REMARKS
28	99009-18500	CIRCLIP	1	



1SM1110-N160

FIG. 16 TRANSMISSION

REF. NO.	PART NO.	DESCRIPTION	1SM1				REMARKS
1	93306-00426	BEARING	1				
2	1SM-17411-00	AXLE,MAIN(14T)	1				
3	1SM-17151-00	GEAR, 5TH PINION (24T)	1				
4	90209-20008	WASHER	2				
5	93410-22039	CIRCLIP	3				
6	1SM-17131-00	GEAR, 3RD PINION (18T)	1				
7	1SM-17141-00	GEAR, 4TH PINION (18T)	1				
8	90387-20006	COLLAR	1				
9	1SM-17121-00	GEAR, 2ND PINION (16T)	1				
10	93306-20336	BEARING	1				
11	93306-27209	BEARING	1				
12	1SM-1742A-00	DRIVE AXLE ASSY.,2	1				
13	1SM-17221-00	GEAR, 2ND WHEEL (28T)	1				
14	90209-23012	WASHER	1				
15	93410-26067	CIRCLIP	1				
16	1SM-17241-00	GEAR, 4TH WHEEL (22T)	1				
17	17D-17231-10	GEAR, 3RD WHEEL (26T)	1				
18	90209-20008	WASHER	1				
19	93410-22039	CIRCLIP	1				
20	1SM-17251-00	GEAR, 5TH WHEEL (25T)	1				
21	1SM-17211-00	GEAR, 1ST WHEEL (30T)	1				
22	90387-17012	COLLAR	1				
23	90201-177G4	WASHER, PLATE	1				
24	93306-20351	BEARING	1				
25	93210-196A4	O-RING	1				
26	90387-22033	COLLAR	1				
27	93102-28012	OIL SEAL	1				



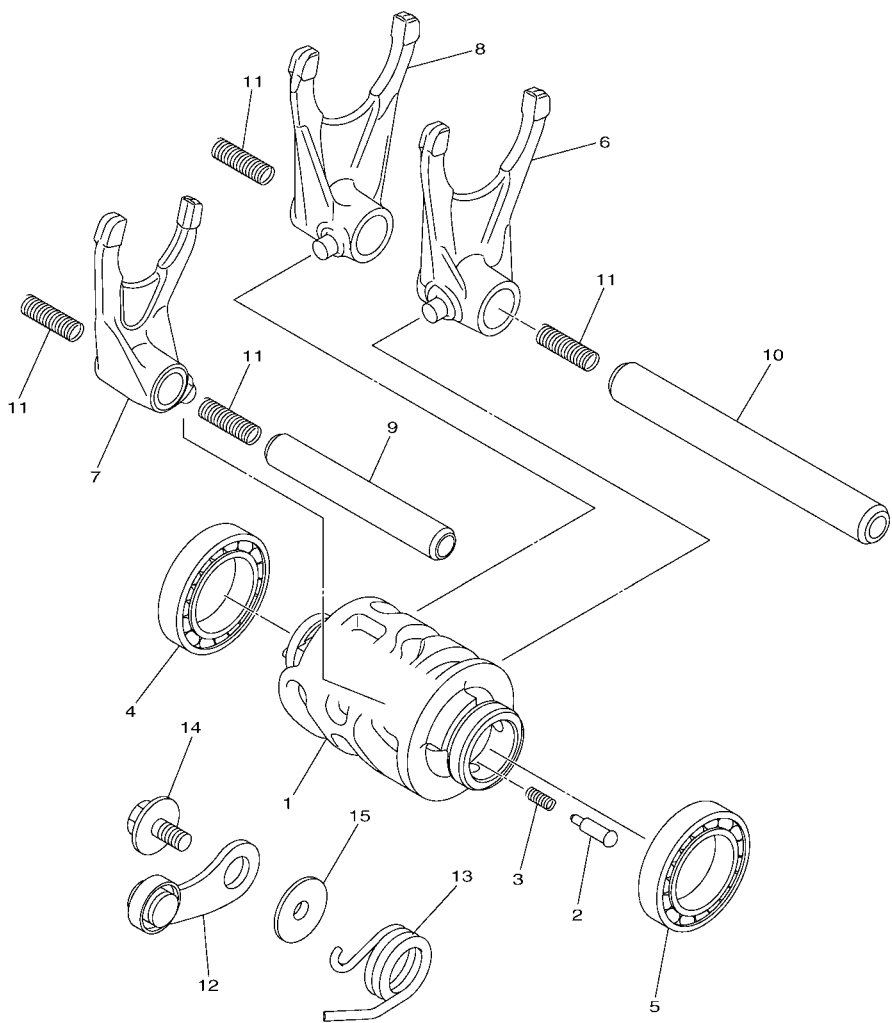
1SM1110-N160

FIG. 16 TRANSMISSION

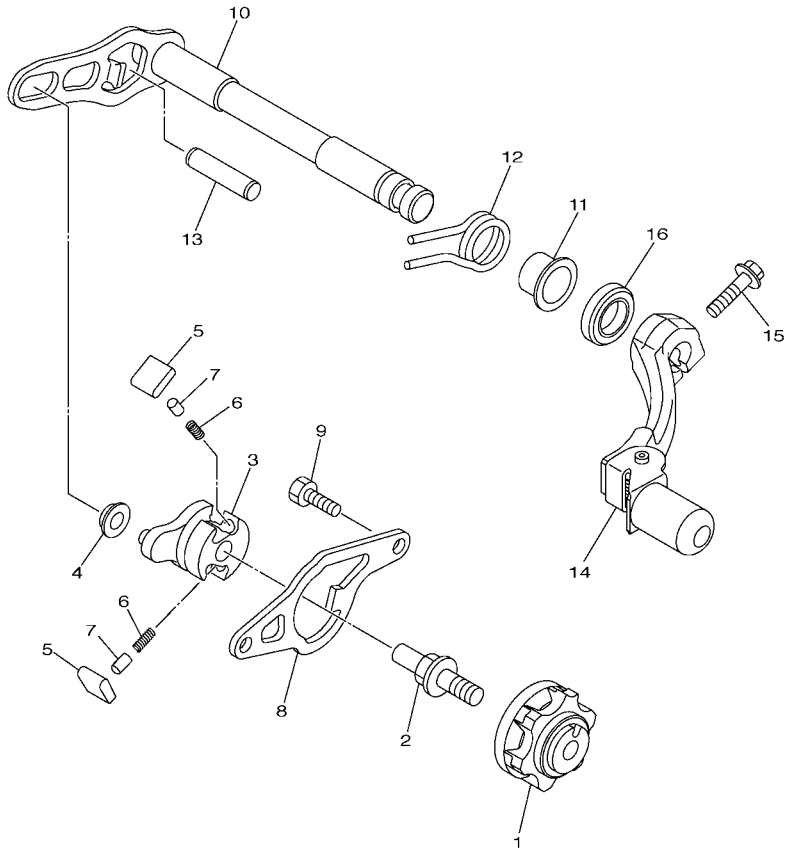
REF. NO.	PART NO.	DESCRIPTION	1SM1				REMARKS
28	93450-40N50	CIRCLIP	1				
29	90201-29M00	WASHER, PLATE	1				
30	9383B-13218	SPROCKET, DRIVE (13T)	1				
31	90215-20003	WASHER, LOCK	1				
32	90179-18001	NUT	1				
<hr/>							
<hr/>							
<hr/>							
<hr/>							
<hr/>							
<hr/>							
<hr/>							
<hr/>							
<hr/>							

FIG. 17 SHIFT CAM & FORK

REF. NO.	PART NO.	DESCRIPTION	ISM1				REMARKS
1	1SM-18541-00	CAM, SHIFT	1				
2	3D7-18542-00	POINT, NEUTRAL	1				
3	90501-06022	SPRING, COMPRESSION	1				
4	93306-90409	BEARING	1				
5	93306-80502	BEARING	1				
6	1SM-18511-00	FORK, SHIFT 1	1				
7	1SM-18512-00	FORK, SHIFT 2	1				
8	1SM-18513-00	FORK, SHIFT 3	1				
9	1SL-18531-00	BAR, SHIFT FORK GUIDE 1	1				
10	1SL-18535-00	BAR, SHIFT FORK GUIDE 2	1				
11	90501-064L1	SPRING, COMPRESSION	4				
12	1SL-18140-00	STOPPER LEVER ASSY	1				
13	90508-26080	SPRING, TORSION	1				
14	90159-06027	SCREW, WITH WASHER	1				
15	33D-18175-00	SPACER	1				



1SM1110-N170



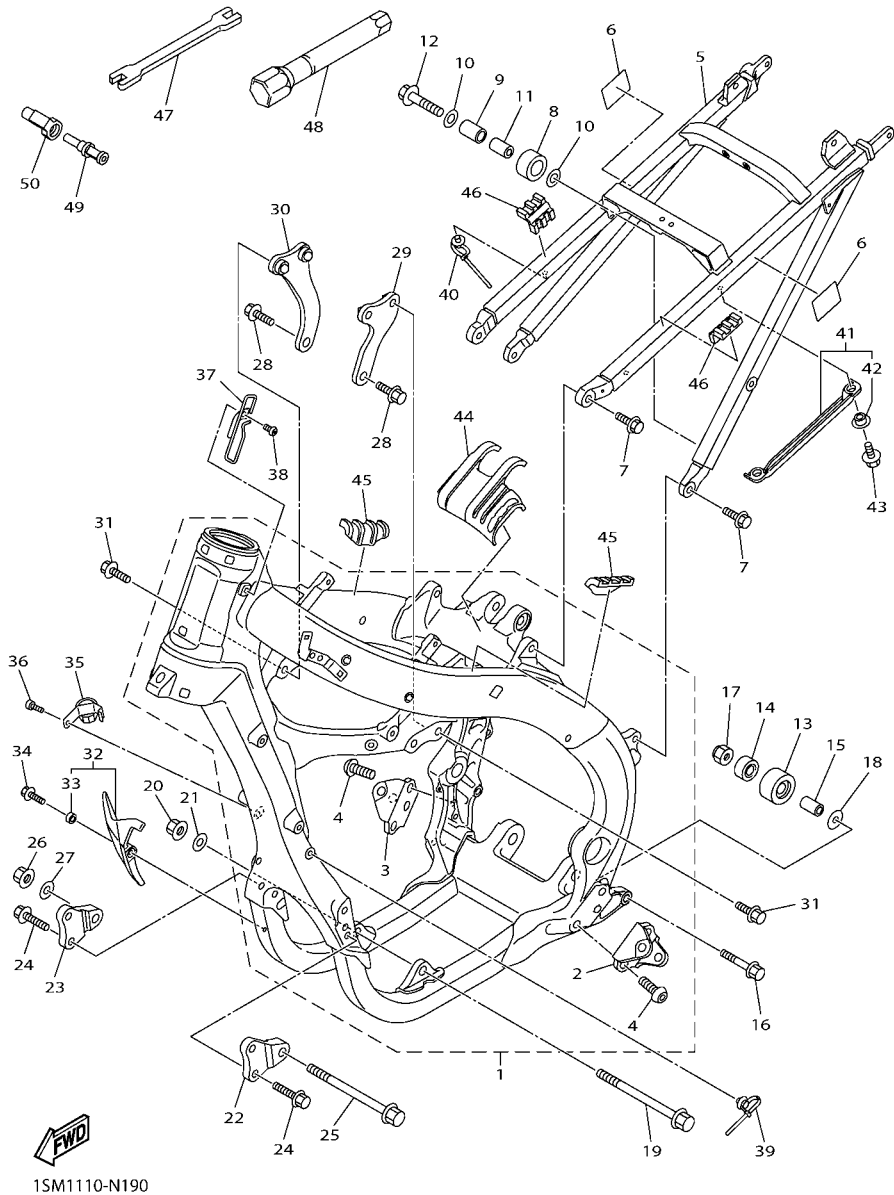
1SL1110-N180

FIG. 18 SHIFT SHAFT

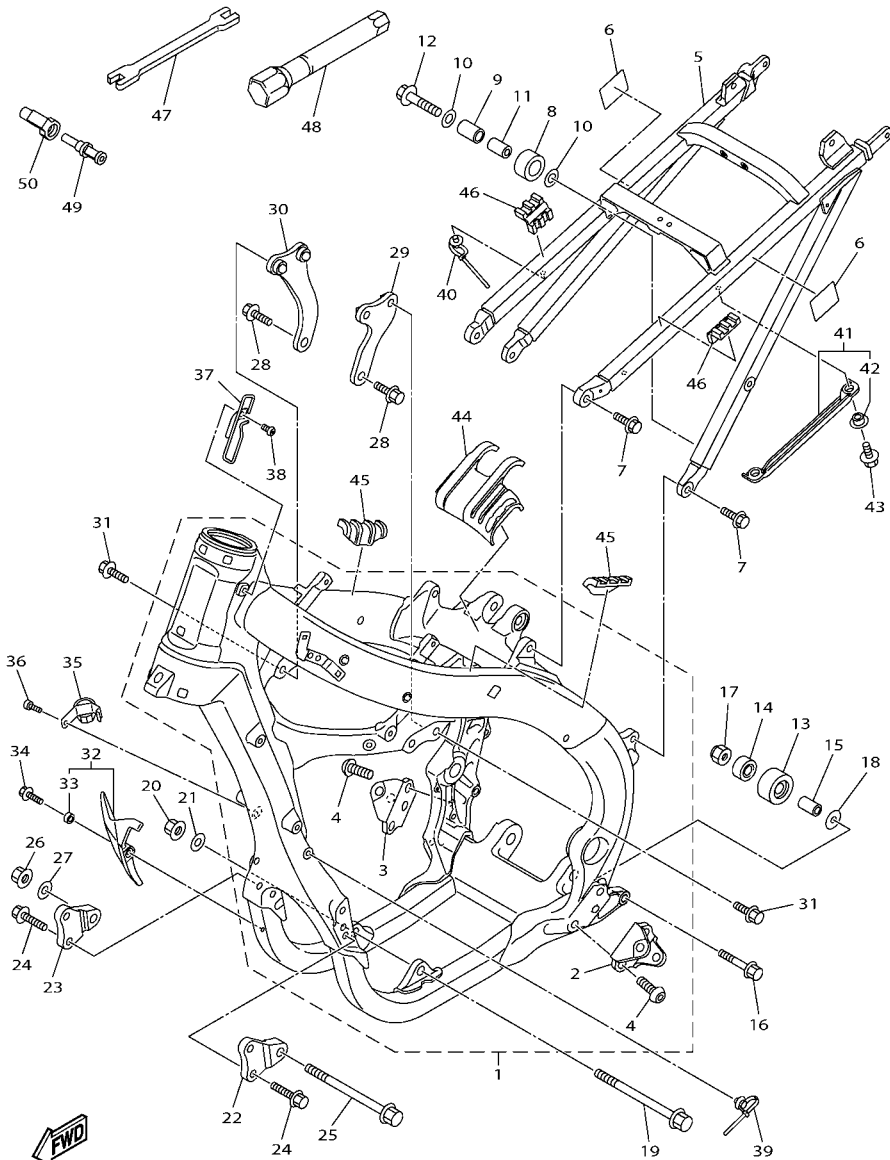
REF. NO.	PART NO.	DESCRIPTION	1SM1				REMARKS
1	1SL-18185-00	SEGMENT	1				
2	3XJ-18173-10	PIN, SHIFT	1				
3	1SL-18122-00	LEVER, SHIFT 2	1				
4	3XJ-18178-00	ROLLER, SHIFT LEVER	1				
5	3XJ-18182-00	PAWL, SHIFTER	2				
6	90501-052G5	SPRING, COMPRESSION	2				
7	3XJ-18184-00	PIN, PAWL	2				
8	1SL-18172-00	GUIDE, SHIFT	1				
9	90101-06041	BOLT	2				
10	1SM-18101-00	SHIFT SHAFT ASSY	1				
11	90387-14020	COLLAR	1				
12	90508-29023	SPRING, TORSION	1				
13	93608-33002	PIN, DOWEL	1				
14	1SL-18110-00	SHIFT PEDAL ASSY	1				
15	90119-06M12	BOLT, WITH WASHER	1				
16	93109-14010	OIL SEAL	1				

FIG. 19 FRAME

REF. NO.	PART NO.	DESCRIPTION	ISM1				REMARKS
1	1SL-21101-00	FRONT FRAME COMP.	1				
2	17D-21447-00	.BRACKET, FOOTREST	1				
3	17D-21448-00	.BRACKET, FOOTREST	1				
4	90149-10031	.SCREW	4				
5	1SL-21190-00	REAR FRAME COMP.	1				
6	33D-23472-00	PROTECTOR	2				
7	90105-08230	BOLT, FLANGE	4				
8	30X-22178-00	TENSIONER	1				
9	4V4-22184-00	BUSH	1				
10	90201-08045	WASHER, PLATE	2				
11	90387-08041	COLLAR	1				
12	95022-08040	BOLT, FLANGE	1				
13	3JD-22178-20	TENSIONER	1				
14	93300-60839	BEARING	1				
15	90387-086N4	COLLAR	1				
16	90105-08232	BOLT, FLANGE	1				
17	90185-08009	NUT, SELF-LOCKING	1				
18	90201-08043	WASHER, PLATE	1				
19	90105-10176	BOLT, FLANGE	1				
20	90179-10658	NUT	1				
21	90201-10045	WASHER, PLATE	1				
22	1SM-21417-00	BRACKET, FRONT LOWER 1	1				
23	1SM-21418-00	BRACKET, FRONT LOWER 2	1				
24	90105-08143	BOLT, FLANGE	4				
25	90105-10443	BOLT, FLANGE	1				
26	90179-10658	NUT	1				
27	90201-10025	WASHER, PLATE	1				



1SM1110-N190

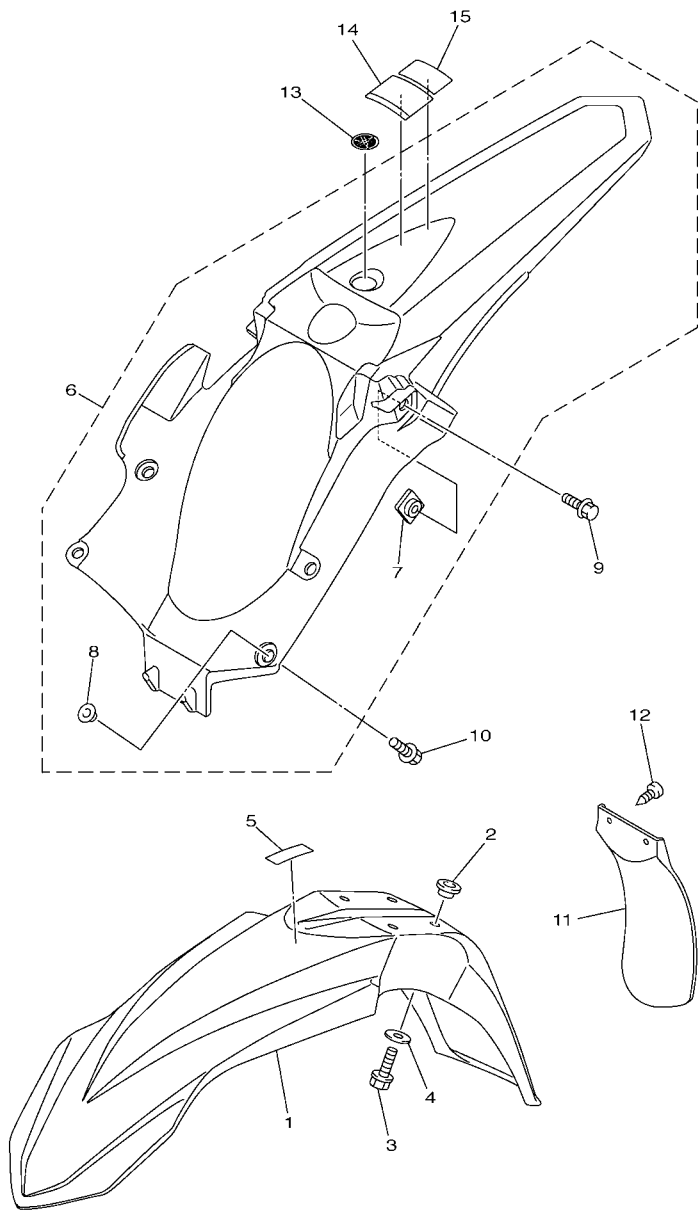


1SM1110-N190

FIG. 19 FRAME

REF. NO.	PART NO.	DESCRIPTION	1SM1				REMARKS
28	90105-10189	BOLT, FLANGE	2				
29	1SM-21425-00	BRACKET, REAR UPPER 1	1				
30	1SM-21426-00	BRACKET, REAR UPPER 2	1				
31	90105-08143	BOLT, FLANGE	4				
32	1SM-21471-00	PROTECTOR, ENGINE	1				
33	90387-06106	.COLLAR	1				
34	90105-06203	BOLT, FLANGE	1				
35	1SM-21335-00	CLAMP, WIRE HARNESS 1	1				
36	91312-05008	BOLT	1				
37	1SL-21163-00	HOLDER, CLUTCH CABLE	1				
38	92012-06010	BOLT, BUTTON HEAD	1				
39	90464-31002	CLAMP	1				
40	90464-31002	CLAMP	1				
41	1SL-2171E-00	COVER, SIDE 5	1				
42	90387-065T2	.COLLAR	2				
43	95022-06016	BOLT, FLANGE	2				
44	1SL-24181-00	DAMPER, LOCATING 1	1				
45	33D-24182-00	DAMPER, LOCATING 2	2				
46	33D-24183-00	DAMPER, LOCATING 3	2				
47	5ET-28166-10	WRENCH, HEXAGON	1				
48	17D-2814F-00	BOX, SPARK PLUG	1				
49	18P-2467E-00	CAP	1				
50	18P-2464V-00	CASE, CAP	1				

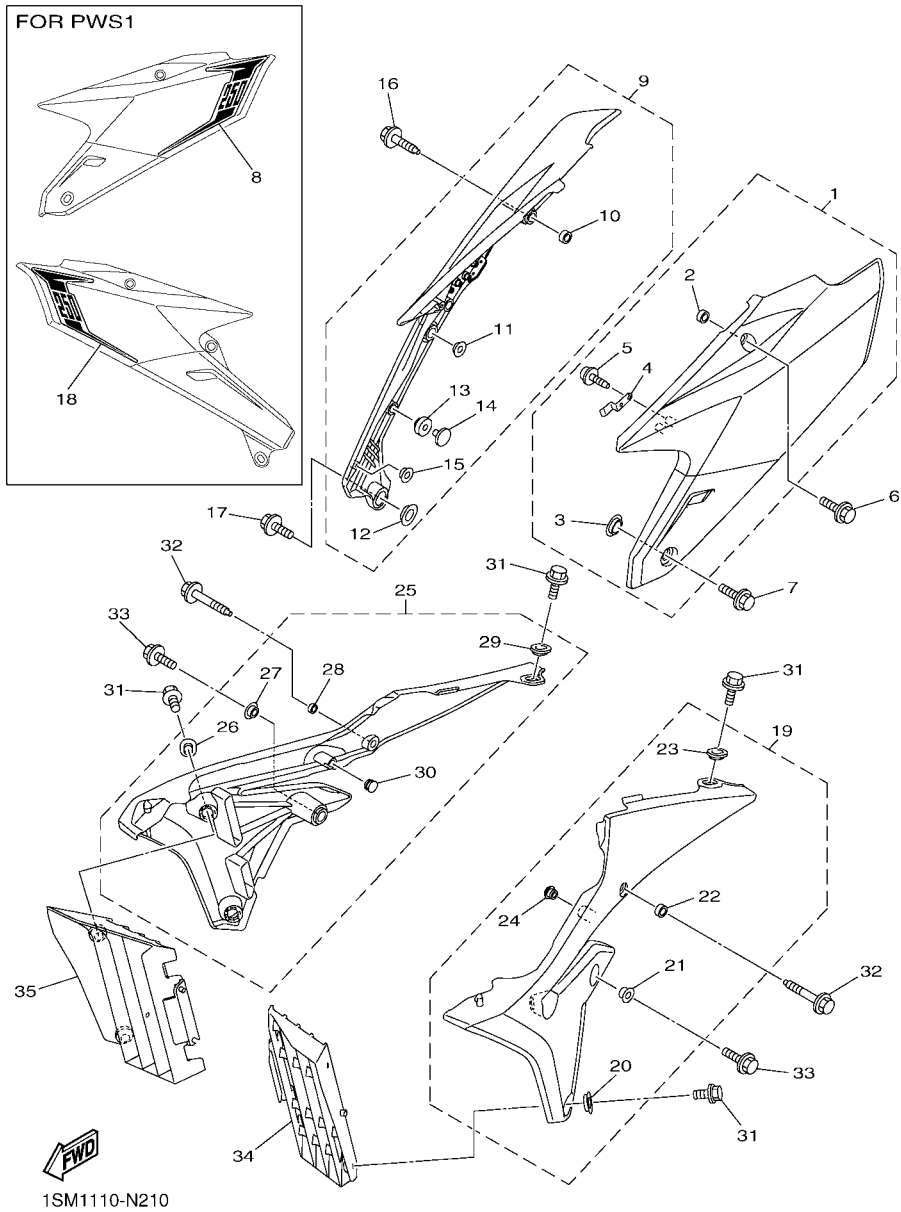
FIG. 20 FENDER



1SL1110-N200

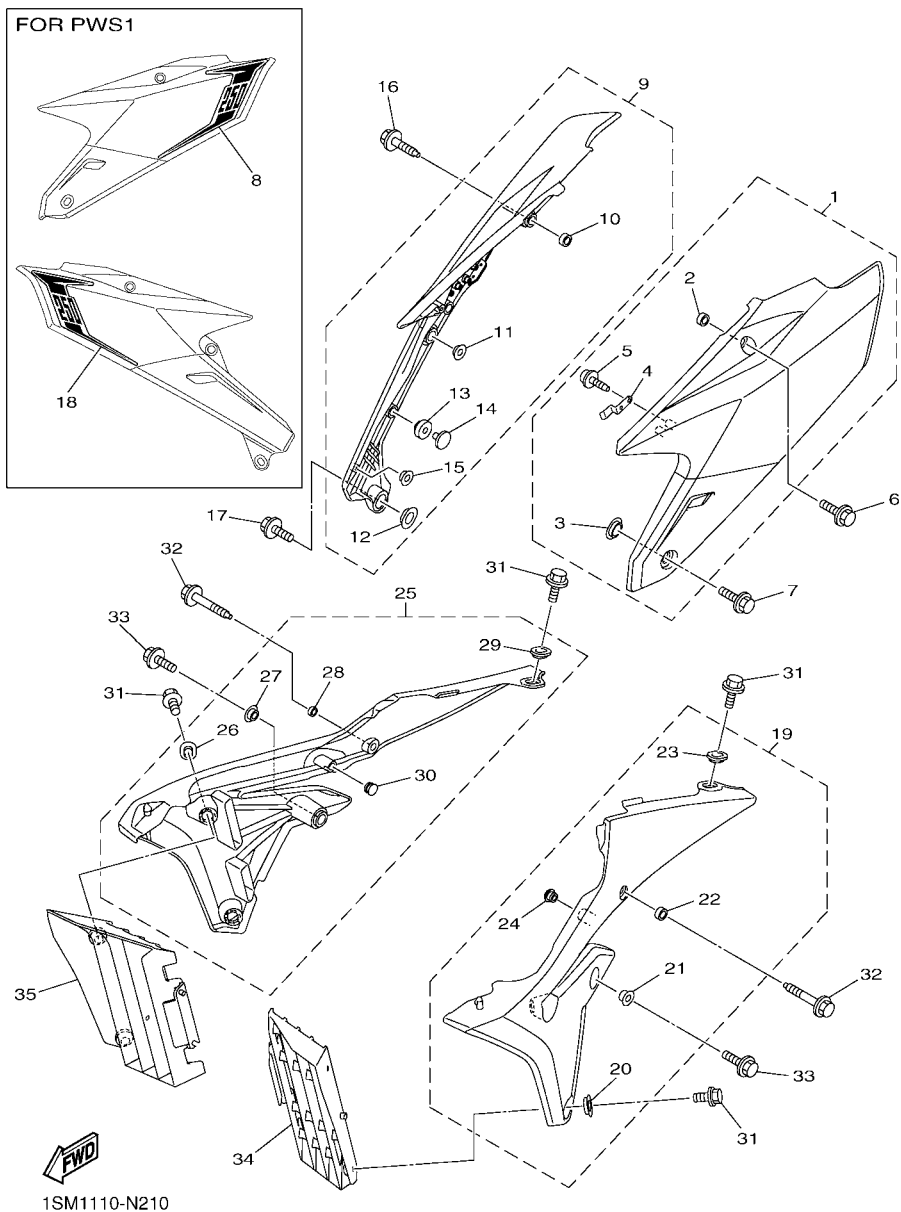
REF. NO.	PART NO.	DESCRIPTION	ISM1				REMARKS
1	17D-21511-50	FENDER, FRONT	1				UR FOR DPBSE
	17D-21511-60	FENDER, FRONT	1				UR FOR PWS1
2	90387-06259	COLLAR	4				
3	90105-06127	BOLT, FLANGE	4				
4	90201-06108	WASHER, PLATE	4				
5	3FB-2415E-02	LABEL, CAUTION	1				
6	1SL-21610-00	REAR FENDER COMP.	1				UR FOR DPBSE
	1SL-21610-10	REAR FENDER COMP.	1				UR FOR PWS1
7	5XE-21635-10	.NUT, REAR FENDER	2				
8	5BE-21749-00	.COLLAR	4				
9	90105-06100	BOLT, FLANGE	2				
10	90119-06268	BOLT, WITH WASHER	4				
11	17D-21642-00	GUARD, FLAP	1				
12	97702-60016	SCREW, TAPPING	2				
13	5FK-2175C-30	TUNING FORK MARK	1				
14	5PA-2118K-00	LABEL, CAUTION	1				
15	17D-2812P-00	PLATE, COMPETITION USA	1				

FIG. 21 SIDE COVER



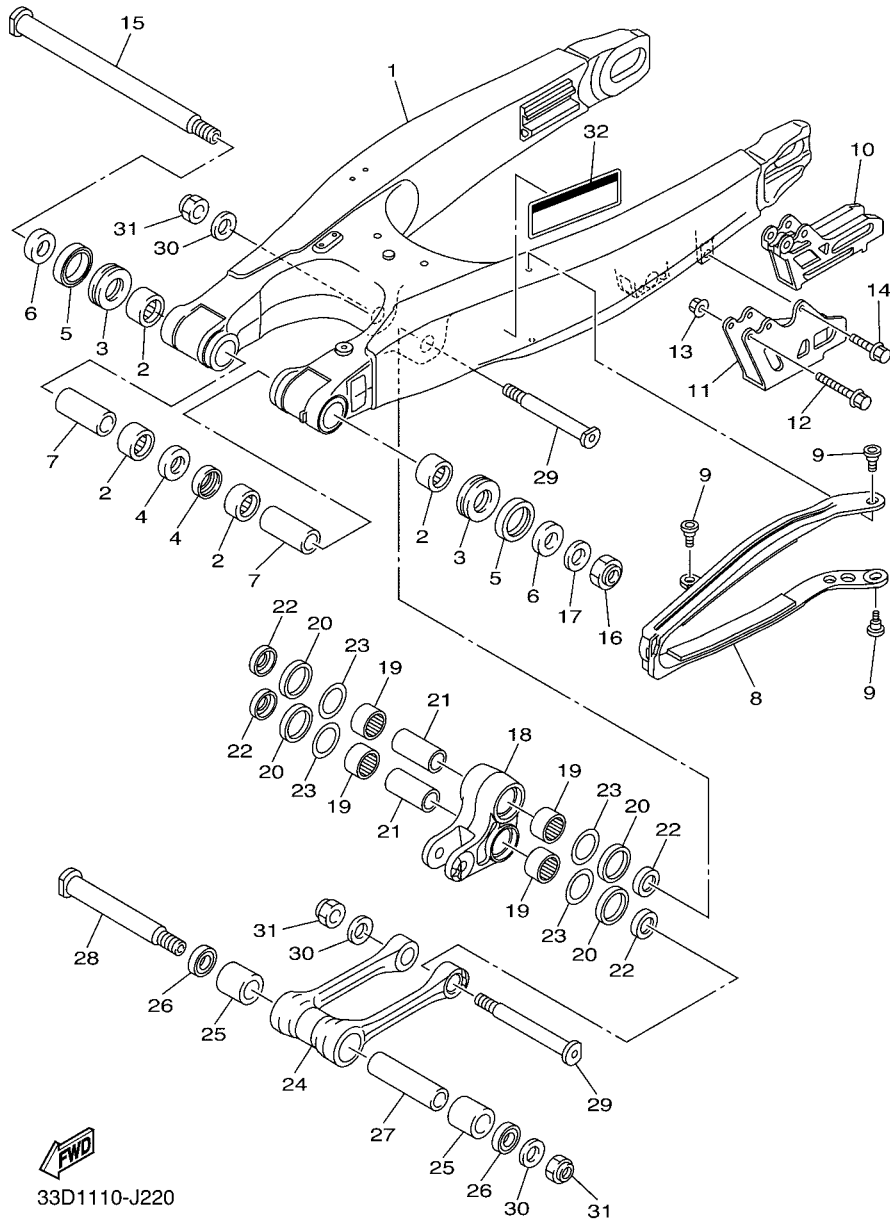
REF. NO.	PART NO.	DESCRIPTION	ISM1				REMARKS
1	1SL-21710-00	SIDE COVER ASSY 1	1				
2	90387-08057	.COLLAR	1				
3	5TA-21749-00	.COLLAR	1				
4	1SL-2176M-00	.HOOK	1				
5	97702-40012	.SCREW, TAPPING	5				
6	90105-08230	BOLT, FLANGE	1				
7	90119-06096	BOLT, WITH WASHER	1				
8	1SM-2173E-00	GRAPHIC 1	1				FOR PWS1
9	1SL-21720-00	SIDE COVER ASSY 2	1				
10	90387-08057	.COLLAR	1				
11	5BE-21749-00	.COLLAR	1				
12	5TA-21749-00	.COLLAR	1				
13	1SL-21719-00	.GROMMET	3				
14	1DX-21746-00	.DAMPER	1				
15	90387-06M31	.COLLAR	1				
16	90105-08230	BOLT, FLANGE	1				
17	90119-06096	BOLT, WITH WASHER	2				
18	1SM-2173F-00	GRAPHIC 2	1				FOR PWS1
19	1SM-217R0-00	SIDE COVER ASSY 3(W/GRAPHIC)	1				UR FOR DPBSE
	1SL-217R0-10	SIDE COVER ASSY 3(W/GRAPHIC)	1				UR FOR PWS1
	1SL-21730-00	SIDE COVER ASSY 3(WO/GRAPHIC)	1				AP DPBSE
20	17D-21749-00	.COLLAR	2				
21	90387-11009	.COLLAR	1				
22	90387-06372	.COLLAR	1				
23	1SL-21748-00	.COLLAR	1				
24	90480-10068	.GROMMET	1				
25	1SM-217S0-00	SIDE COVER ASSY 4(W/GRAPHIC)	1				UR FOR DPBSE

FIG. 21 SIDE COVER



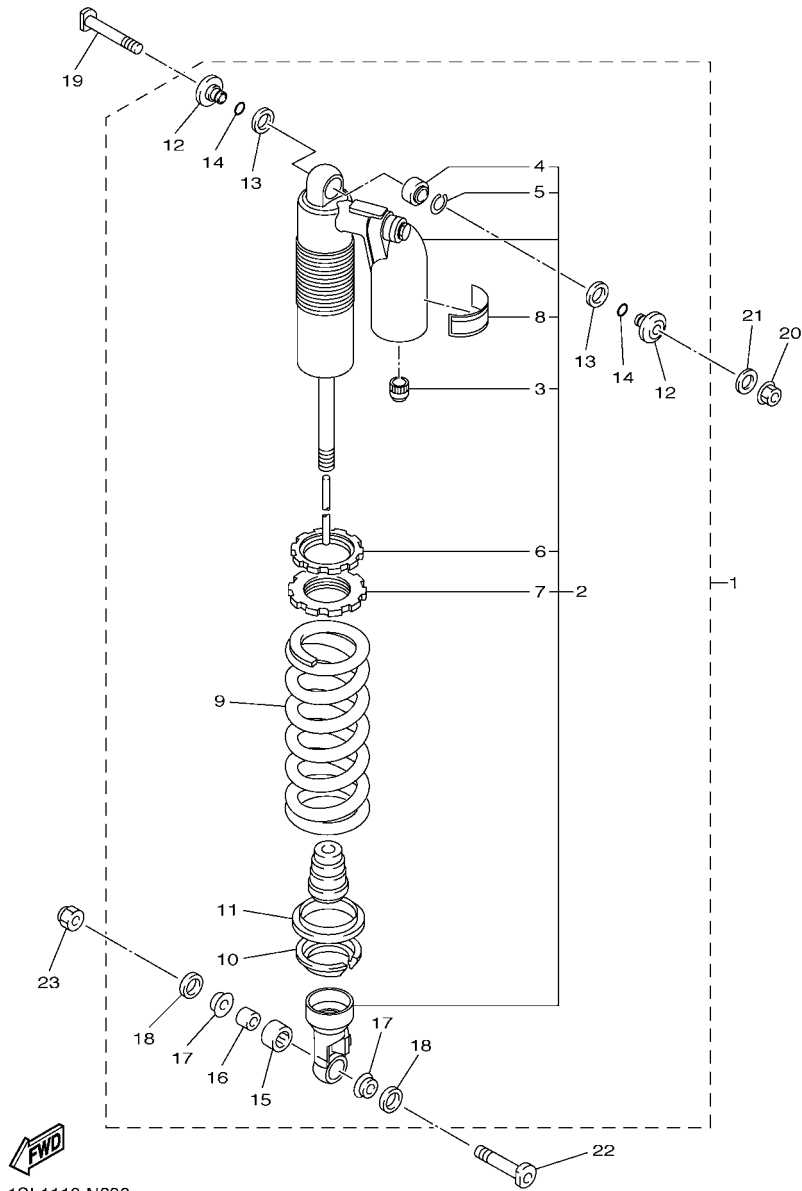
REF. NO.	PART NO.	DESCRIPTION	1SM1				REMARKS
25	1SL-217S0-10	SIDE COVER ASSY 4(W/GRAPHIC)	1				UR FOR PWS1
	1SL-21740-00	SIDE COVER ASSY 4(WO/GRAPHIC)	1				AP DPBSE
26	17D-21749-00	.COLLAR	2				
27	90387-11009	.COLLAR	1				
28	90387-06372	.COLLAR	1				
29	1SL-21748-00	.COLLAR	1				
30	90480-10068	.GROMMET	1				
31	90105-06064	BOLT, FLANGE	6				
32	90105-06179	BOLT, FLANGE	2				
33	90105-06203	BOLT, FLANGE	2				
34	1SL-2172A-00	PANEL 1	1				
35	1SL-2172F-00	PANEL 2	1				

FIG. 22 REAR ARM



33D1110-J220

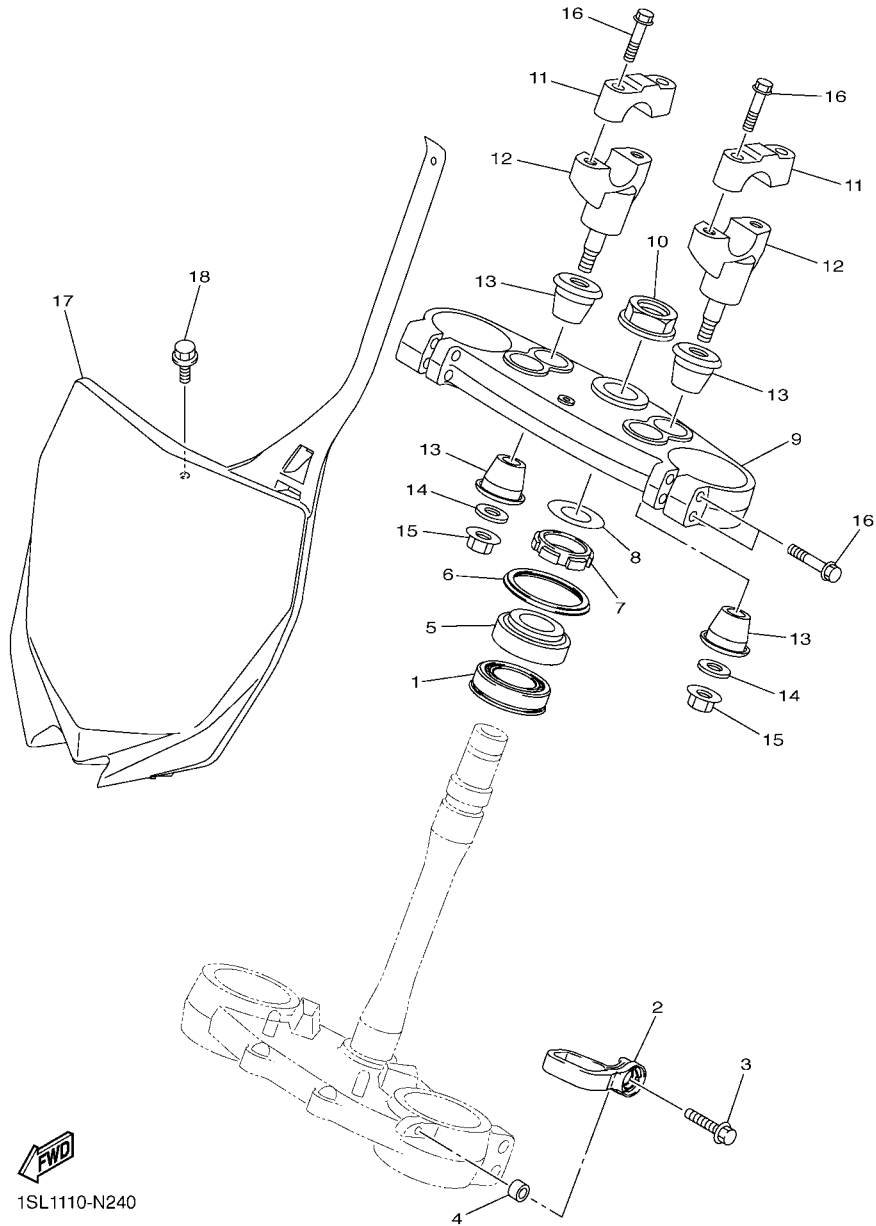
REF. NO.	PART NO.	DESCRIPTION	TSM1				REMARKS
1	1SL-22110-00	REAR ARM COMP.	1				
2	93317-22262	BEARING	4				
3	93342-22217	BEARING	2				
4	93106-22002	OIL SEAL	2				
5	93109-28043	OIL SEAL	2				
6	90387-17016	COLLAR	2				
7	90387-1714S	COLLAR	2				
8	34P-22151-01	SEAL, GUARD	1				
9	1C3-22969-90	SCREW, 1	3				
10	2S2-22199-70	SUPPORT, CHAIN	1				
11	2S2-22128-70	COVER, THRUST 1	1				
12	90105-06104	BOLT, FLANGE	2				
13	95702-06500	NUT, FLANGE	2				
14	90105-06105	BOLT, FLANGE	1				
15	33D-22141-00	SHAFT, PIVOT	1				
16	90185-16002	NUT, SELF-LOCKING	1				
17	90201-16018	WASHER, PLATE	1				
18	17D-2217A-00	ARM, RELAY	1				
19	93315-32166	BEARING	4				
20	93109-25001	OIL SEAL	4				
21	90387-16026	COLLAR	2				
22	90209-16011	WASHER	4				
23	90201-21014	WASHER, PLATE	4				
24	33D-2217F-00	ROD, CONNECTING 1	1				
25	93315-32166	BEARING	2				
26	93109-21001	OIL SEAL	2				
27	90387-14016	COLLAR	1				



1SL1110-N230

FIG. 23 REAR SUSPENSION

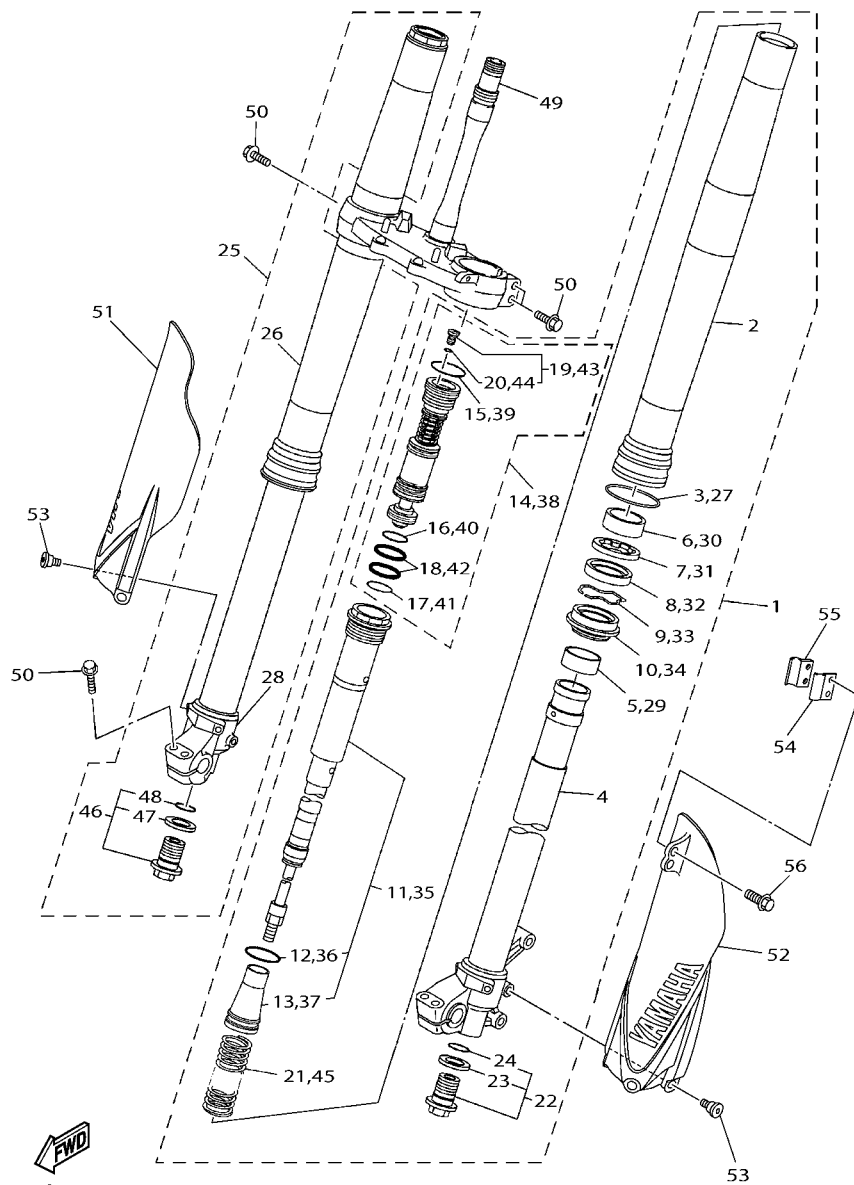
REF. NO.	PART NO.	DESCRIPTION	1SM1				REMARKS
1	1SM-22200-00	SHOCK ABSORBER ASSY, REAR	1				UR FOR DPBSE
	1SM-22200-10	SHOCK ABSORBER ASSY, REAR	1				UR FOR PWS1
2	1SM-22201-00	.DAMPER SUB ASSY	1				
3	509-23184-L0	..CAP, AIR VALVE	1				
4	4JX-22226-00	..BUSH, SHOCK ABSORBER LOWER	1				
5	5DH-23183-00	..CIRCLIP	1				
6	33D-22234-00	..GUIDE, SPRING 3	1				
7	1SL-22213-00	..SEAT, SPRING UPPER	1				
8	4AA-22259-80	..LABEL, WARNING	1				
9	1SL-22212-20	.SPRING (K=56 BLUE)	1				UR FOR DPBSE
	1SL-22212-30	.SPRING (K=56 RED)	1				UR FOR PWS1
10	33D-22214-00	.GUIDE, SPRING 1	1				
11	33D-22224-00	.GUIDE, SPRING 2	1				
12	1C3-22253-50	.COLLAR, DISTANCE	2				
13	3JE-22475-00	.SEAL, DUST	2				
14	4EW-22474-00	.SEAL, RING	2				
15	5UN-22176-00	.BEARING	1				
16	5MV-22184-00	.BUSH	1				
17	1C3-22253-L1	.COLLAR, DISTANCE	2				
18	5NY-22475-00	.SEAL, DUST	2				
19	5XE-22242-00	BOLT 2	1				
20	95602-10200	NUT, U FLANGE	1				
21	92902-10200	WASHER	1				
22	5NY-22241-00	BOLT 1	1				
23	90185-10012	NUT, SELF-LOCKING	1				



1SL1110-N240

FIG. 24 STEERING

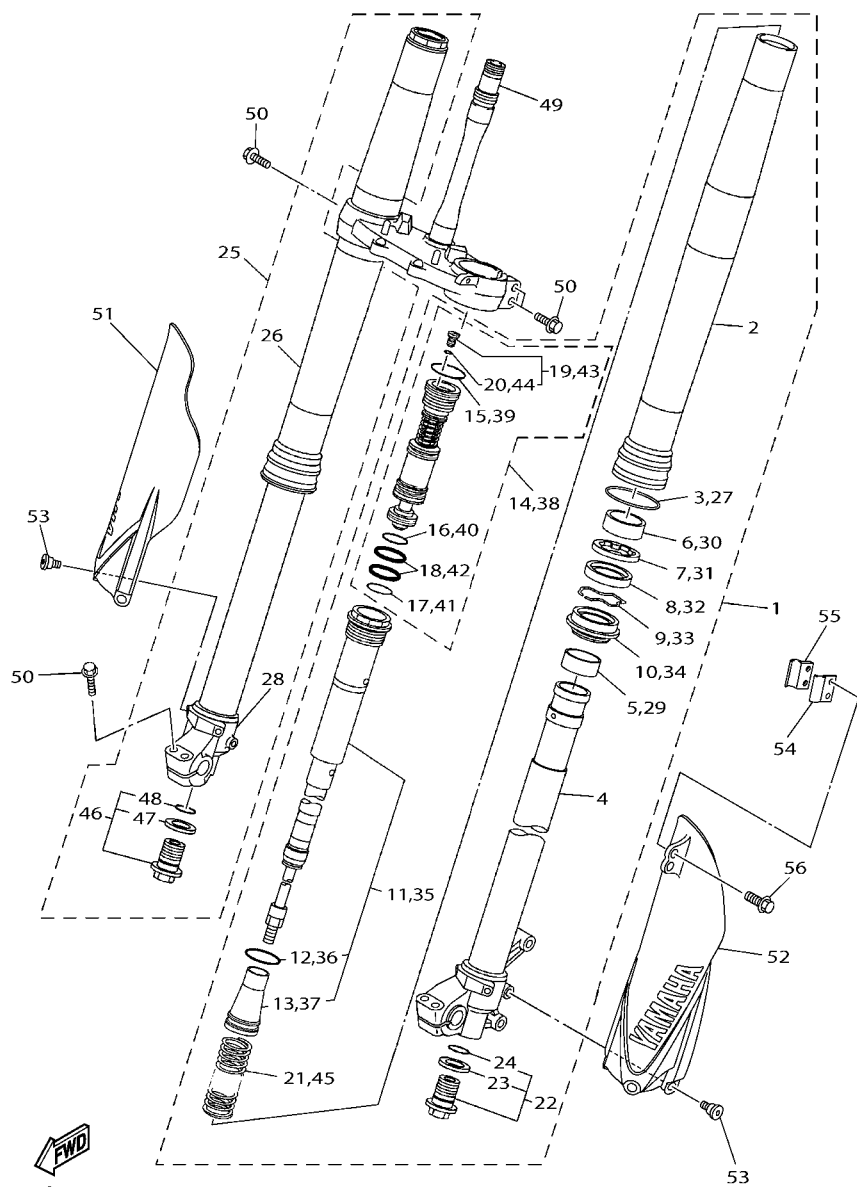
REF. NO.	PART NO.	DESCRIPTION	ISM1				REMARKS
1	93332-00081	BEARING	1				
2	17D-23389-50	GUIDE, CABLE	1				
3	90105-06170	BOLT, FLANGE	1				
4	90387-06105	COLLAR	1				
5	93332-00068	BEARING	1				
6	17D-23416-50	COVER, BALL RACE 2	1				
7	90179-28015	NUT	1				
8	90201-286K9	WASHER, PLATE (T1.0)	1				
9	1SL-23435-00	CROWN, HANDLE	1				
10	90179-24004	NUT	1				
11	18P-23441-00	HOLDER, HANDLE UPPER	2				
12	1SL-23442-00	HOLDER, HANDLE LOWER	2				
13	1SL-23434-00	HOLDER, DAMPER	4				
14	90201-10035	WASHER, PLATE	2				
15	95602-10200	NUT, U FLANGE	2				
16	90105-08154	BOLT, FLANGE	8				
17	17D-23485-50	PLATE, NUMBER	1				
18	90105-06064	BOLT, FLANGE	1				



1SM1110-N250

FIG. 25 FRONT FORK

REF. NO.	PART NO.	DESCRIPTION	1SM1				REMARKS
1	1SM-23102-00	FRONT FORK ASSY (L.H)	1				
2	33D-23136-00	.TUBE, OUTER	1				
3	17D-23153-00	.RING, SNAP	1				
4	1SL-23120-00	.INNER TUBE COMP. (L.H.)	1				
5	5XE-23171-L0	.PISTON, FRONT FORK	1				
6	5XE-23125-L0	.METAL, SLIDE 1	1				
7	5XC-23146-10	.WASHER, OIL SEAL	1				
8	17D-23145-00	.OIL SEAL	1				
9	5XE-23153-L0	.RING, SNAP	1				
10	5XE-23144-L0	.SEAL, DUST	1				
11	1SM-23170-00	.CYLINDER COMP., FRONT FORK	1				
12	1C3-23147-L0	..O-RING	1				
13	17D-23142-00	..SEAT, SPRING UPPER	1				
14	1SM-2316A-00	.VALVE COMP.	1				
15	1C3-23188-L0	..O-RING	1				
16	1C3-23188-N0	..O-RING	1				
17	1C3-23188-P0	..O-RING	1				
18	1AE-23147-00	..O-RING	2				
19	1C3-23190-L0	..AIR VALVE COMP.	1				
20	1C3-23188-R0	..O-RING	1				
21	1SL-23141-10	.SPRING, FRONT FORK	1				
22	5XC-23111-00	.BOLT, CAP	1				
23	2HH-23158-L0	..GASKET	1				
24	276-23114-00	..GASKET	1				
25	1SM-23103-00	FRONT FORK ASSY (R.H)	1				
26	33D-23136-00	.TUBE, OUTER	1				
27	17D-23153-00	.RING, SNAP	1				



1SM1110-N250

FIG. 25 FRONT FORK

REF. NO.	PART NO.	DESCRIPTION	1SM1				REMARKS
28	1SL-23110-00	.INNER TUBE COMP. (R.H.)	1				
29	5XE-23171-L0	.PISTON, FRONT FORK	1				
30	5XE-23125-L0	.METAL, SLIDE 1	1				
31	5XC-23146-10	.WASHER, OIL SEAL	1				
32	17D-23145-00	.OIL SEAL	1				
33	5XE-23153-L0	.RING, SNAP	1				
34	5XE-23144-L0	.SEAL, DUST	1				
35	1SM-23170-00	.CYLINDER COMP., FRONT FORK	1				
36	1C3-23147-L0	..O-RING	1				
37	17D-23142-00	..SEAT, SPRING UPPER	1				
38	1SM-2316A-00	.VALVE COMP.	1				
39	1C3-23188-L0	..O-RING	1				
40	1C3-23188-N0	..O-RING	1				
41	1C3-23188-P0	..O-RING	1				
42	1AE-23147-00	..O-RING	2				
43	1C3-23190-L0	..AIR VALVE COMP.	1				
44	1C3-23188-R0	..O-RING	1				
45	1SL-23141-10	.SPRING, FRONT FORK	1				
46	5XC-23111-00	.BOLT, CAP	1				
47	2HH-23158-L0	..GASKET	1				
48	276-23114-00	..GASKET	1				
49	33D-23340-00	UNDER BRACKET COMP.	1				
50	90105-08154	BOLT, FLANGE	8				
51	17D-2315J-50	PROTECTOR 2	1				
52	17D-2315H-50	PROTECTOR 1	1				
53	90109-06232	BOLT	6				
54	17D-23466-00	CLAMP	1				

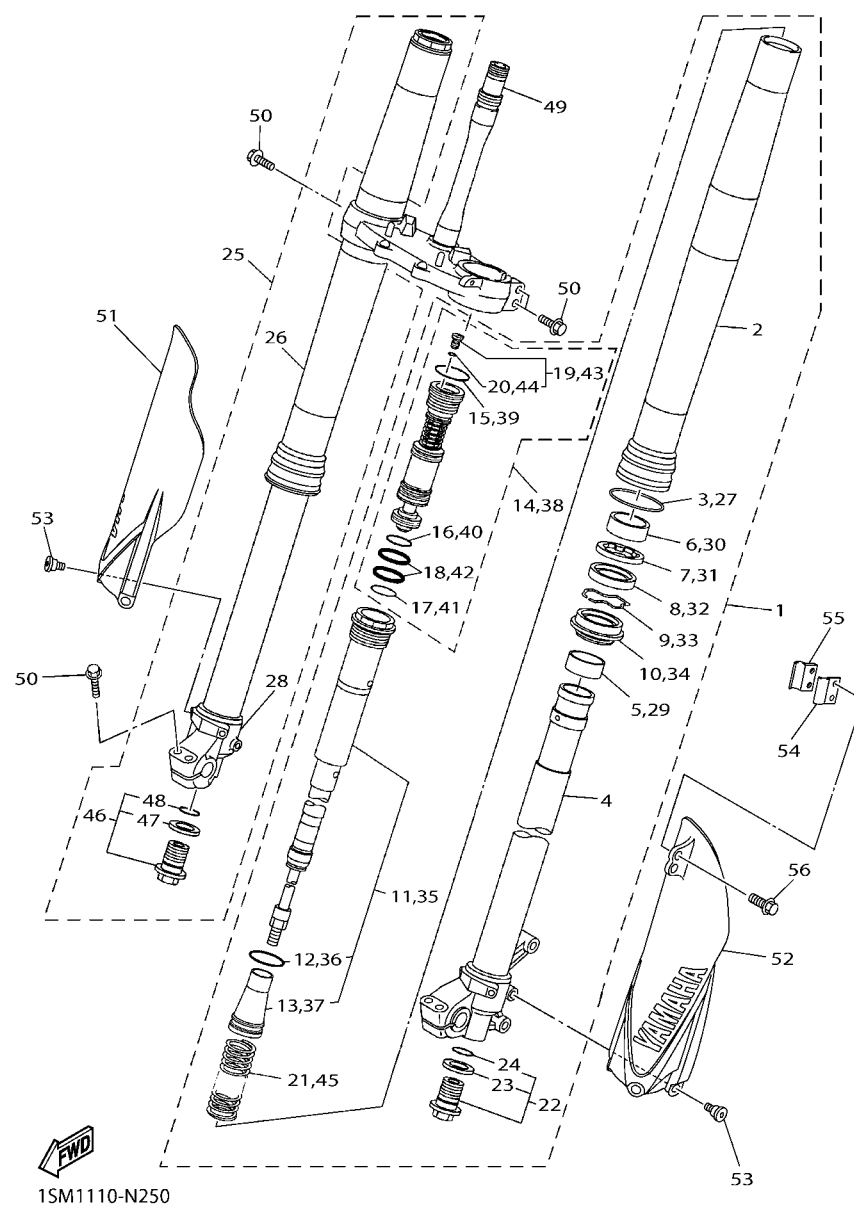
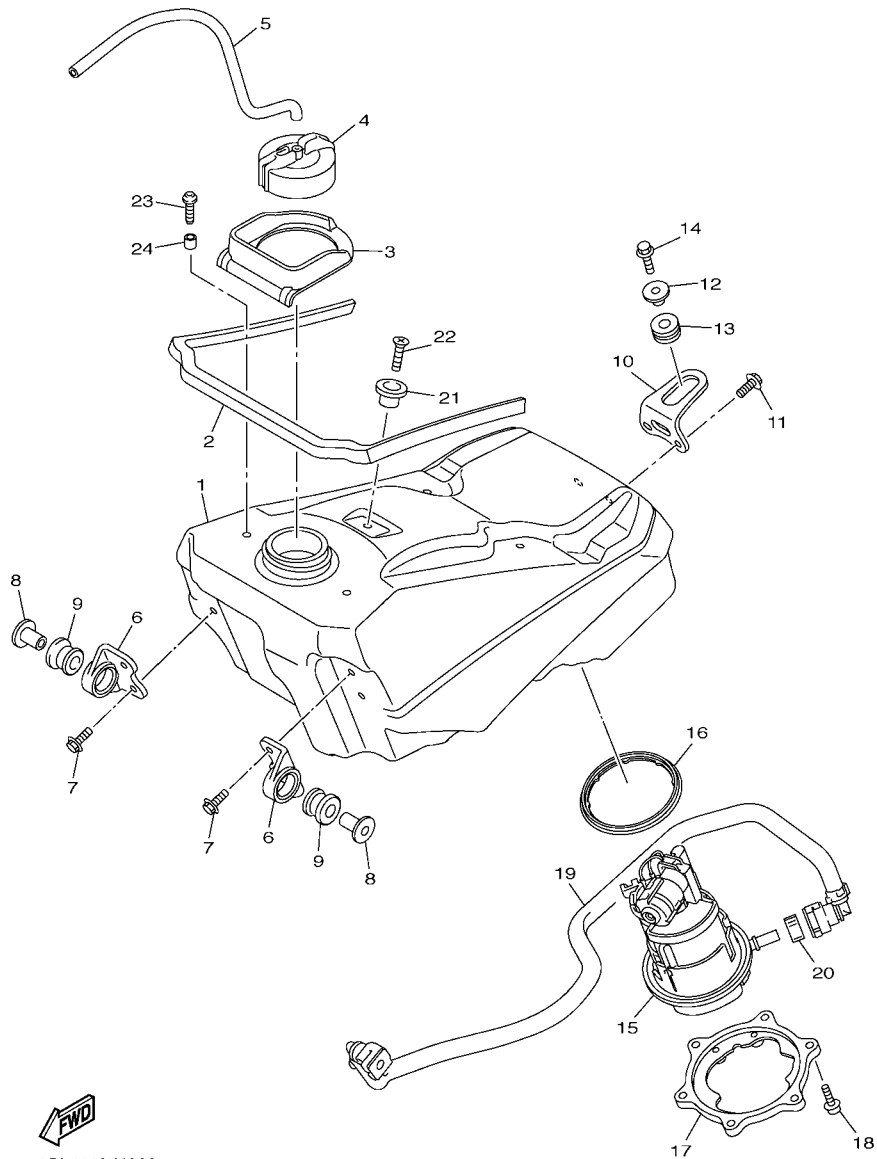


FIG. 25 FRONT FORK

REF. NO.	PART NO.	DESCRIPTION	1SM1				REMARKS
55	17D-23467-00	CLAMP	1				
56	90105-06170	BOLT, FLANGE	2				

FIG. 26 FUEL TANK

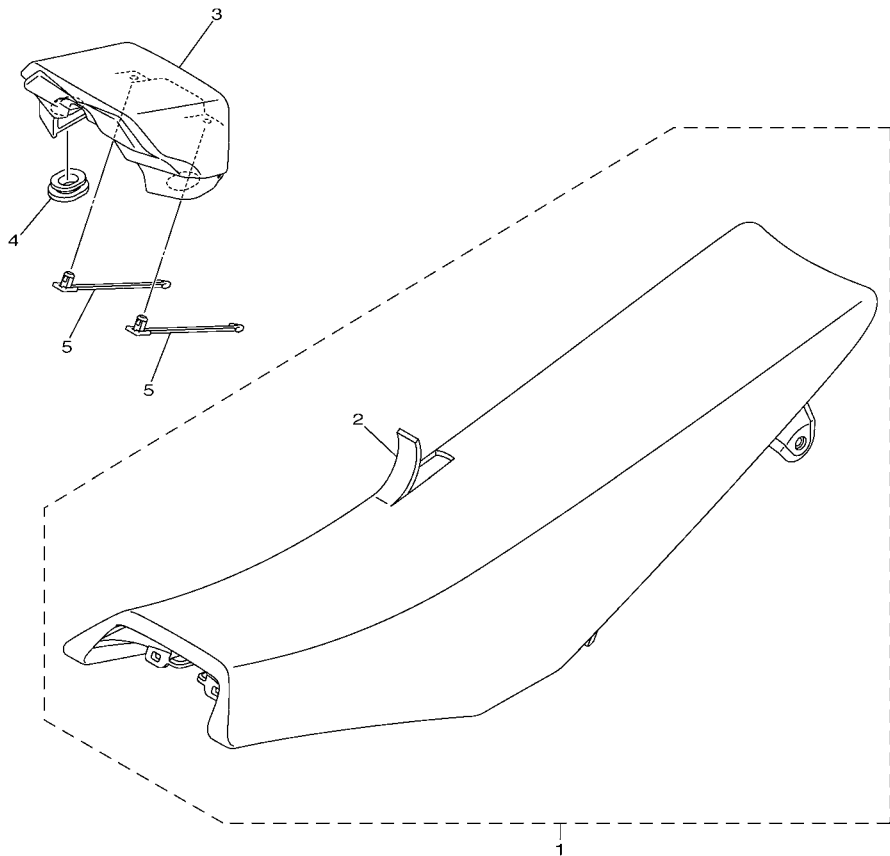
REF. NO.	PART NO.	DESCRIPTION	ISM1				REMARKS
1	1SL-24110-00	FUEL TANK COMP.	1				
2	1S4-2414J-00	DAMPER, PLATE 2	3				
3	1SL-24188-00	MOLD, FUEL TANK	1				
4	1SL-24610-00	CAP ASSY	1				
5	90445-09008	HOSE (L470)	1				
6	1SL-24115-00	STAY, FUEL TANK 1	2				
7	90105-06170	BOLT, FLANGE	4				
8	90387-06091	COLLAR	2				
9	90480-18549	GROMMET	2				
10	1SL-2419A-00	HOLDER	1				
11	90105-06170	BOLT, FLANGE	2				
12	90387-066Y6	COLLAR	1				
13	90480-10289	GROMMET	1				
14	95022-06020	BOLT, FLANGE	1				
15	33D-13907-00	FUEL PUMP COMP.	1				
16	33D-24486-00	O-RING	1				
17	33D-24491-00	BRACKET, FUEL PUMP	1				
18	90110-05058	BOLT, HEXAGON SOCKET HEAD	6				
19	1SM-13971-00	PIPE, FUEL 1	1				
20	33D-24135-00	CLAMP 1	1				
21	4EW-2412F-00	BRACKET, SEAT	1				
22	98707-06025	SCREW, FLAT HEAD	1				
23	90111-06149	BOLT, HEX. SOCKET BUTTON	2				
24	90387-06284	COLLAR	2				



1SL1110-N260

FIG. 27 SEAT

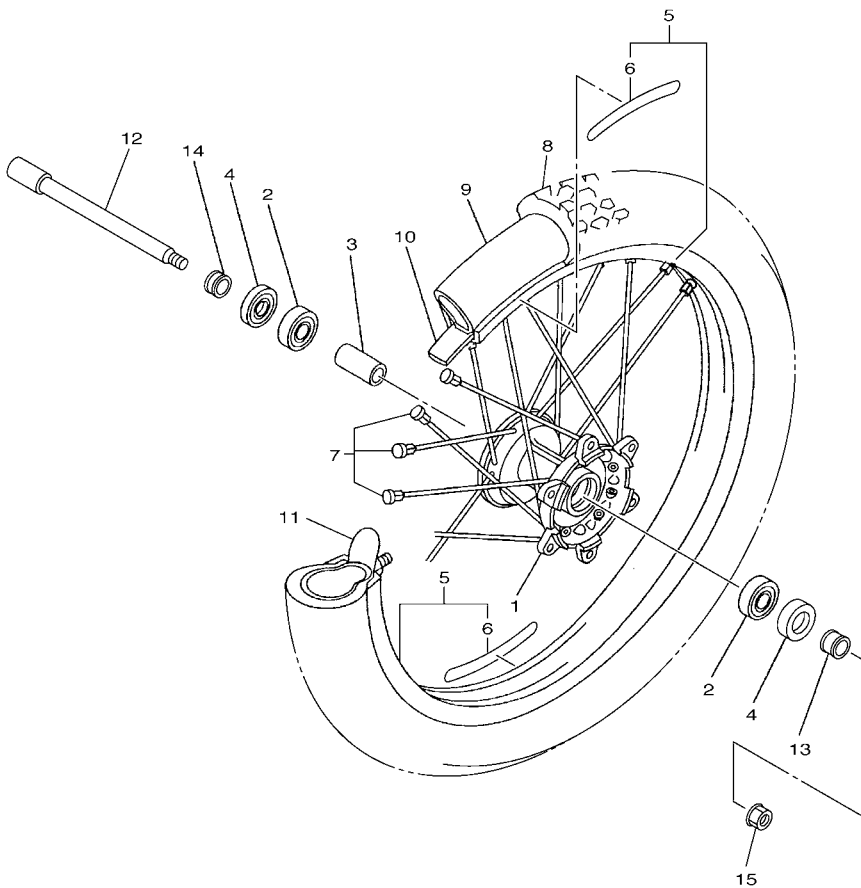
REF. NO.	PART NO.	DESCRIPTION	TSM1				REMARKS
1	1SL-24710-00	SINGLE SEAT ASSY	1				UR FOR DPBSE
	1SL-24710-10	SINGLE SEAT ASSY	1				UR FOR PWS1
2	1SL-2470F-00	.SEAT COVER COMP.	1				UR FOR DPBSE
	1SL-2470F-10	.SEAT COVER COMP.	1				UR FOR PWS1
3	1SL-2464E-00	COVER, CAP	1				
4	1SL-24742-00	GROMMET	2				
5	1SL-24734-00	BAND, SEAT	2				



1SL1110-N270

FIG. 28 FRONT WHEEL

REF. NO.	PART NO.	DESCRIPTION	TSM1				REMARKS
1	1SL-25111-00	HUB, FRONT	1				
2	93306-97203	BEARING	2				
3	1SL-25117-00	SPACER, BEARING	1				
4	93102-30014	OIL SEAL	2				
5	94416-21034	RIM (1.60-21)	1				UR FOR DPBSE
	94416-21045	RIM (1.60-21)	1				UR FOR PWS1
6	17D-2531B-00	.EMBLEM, WHEEL	2				FOR PWS1
7	5NY-25104-00	SPOKE SET, FRONT	1				
8	94108-21027	TIRE (80/100-21 51M)	1				BRIDGESTONE
9	94209-21229	TUBE (80/100-21 M/C TR4)	1				BRIDGESTONE
10	94330-21084	BAND,RIM (1.60-21)	1				BRIDGESTONE
11	5SF-25394-00	SPACER, BEAD	1				
12	1SL-25181-00	AXLE, WHEEL	1				
13	1SL-25183-00	COLLAR, WHEEL	1				
14	1SL-25186-00	COLLAR, WHEEL	1				
15	90179-18011	NUT	1				



1SL1110-N280

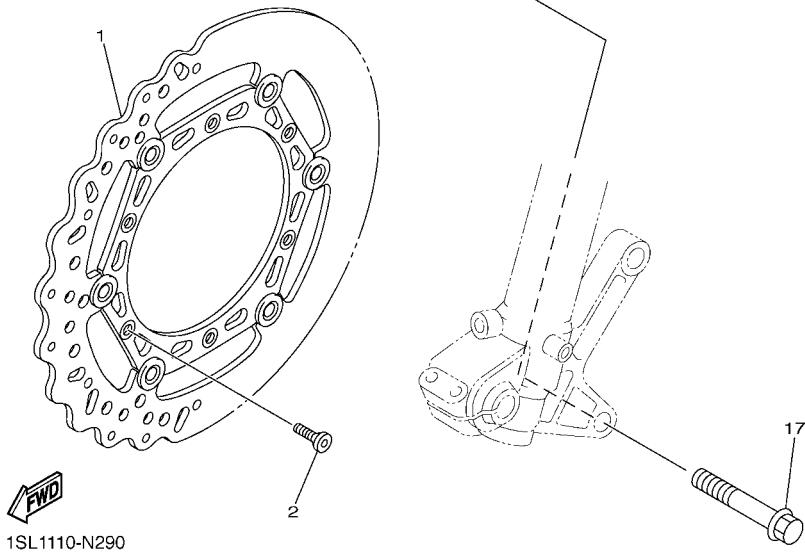
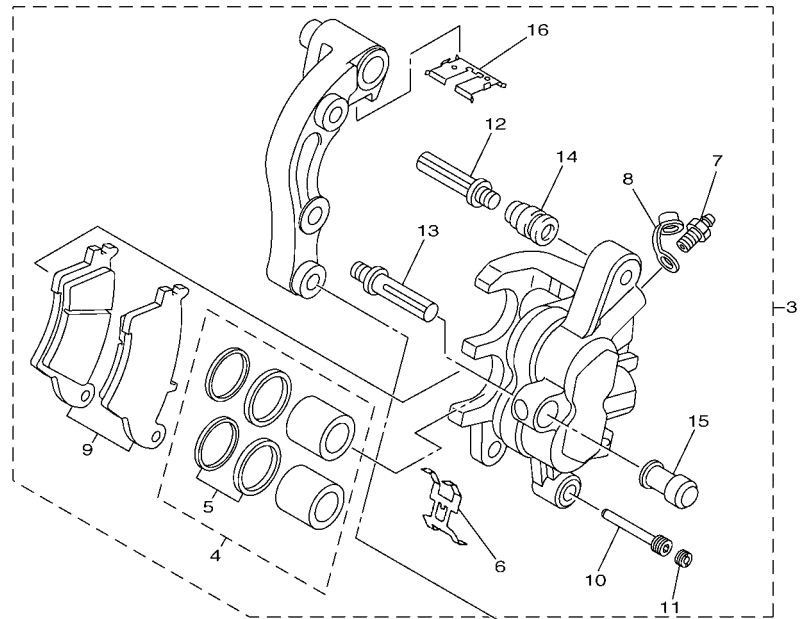
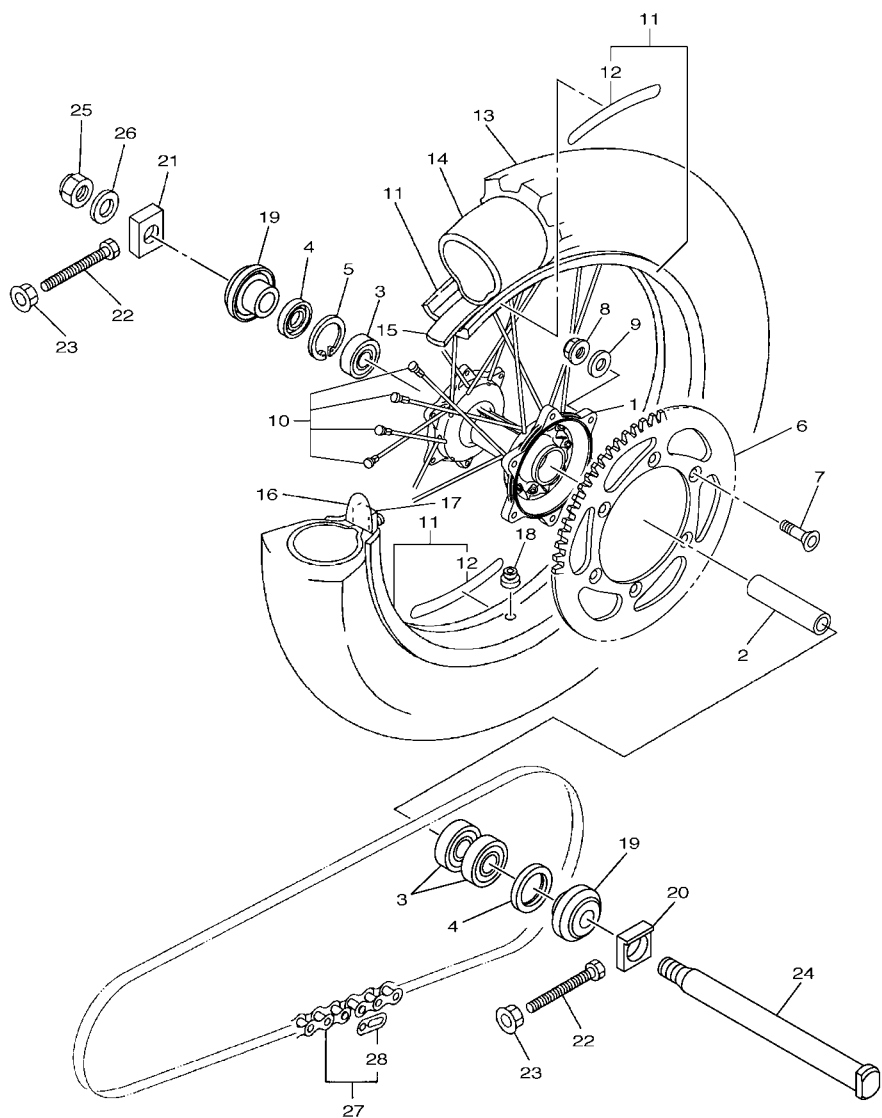


FIG. 29 FRONT BRAKE CALIPER

REF. NO.	PART NO.	DESCRIPTION	ISM1				REMARKS
1	5XC-2581T-G0	DISK BRAKE ASSY	1				
2	90151-06051	SCREW, COUNTERSUNK	6				
3	5XC-2580T-G0	CALIPER ASSY (LEFT)	1				
4	5XC-W0057-00	.PISTON ASSY, CALIPER	1				
5	5KM-W0047-10	..CALIPER SEAL KIT	1				
6	5DH-25919-00	..SUPPORT, PAD	1				
7	1UY-25824-51	.SCREW, BLEED	1				
8	1UY-25825-51	.CAP	1				
9	5XC-W0045-00	.BRAKE PAD KIT	1				
10	5DH-25933-00	.PIN, PAD	1				
11	5DH-25916-00	.PLUG	1				
12	3SP-25926-51	.BOLT	1				
13	3SP-25914-51	.PIN, SLIDE	1				
14	3JD-25917-00	.BOOT, CALIPER	1				
15	1UY-25937-51	.BOOT 2	1				
16	5XC-25849-G0	.RETAINER, CALIPER	1				
17	90105-08137	BOLT, FLANGE	2				

FIG. 30 REAR WHEEL

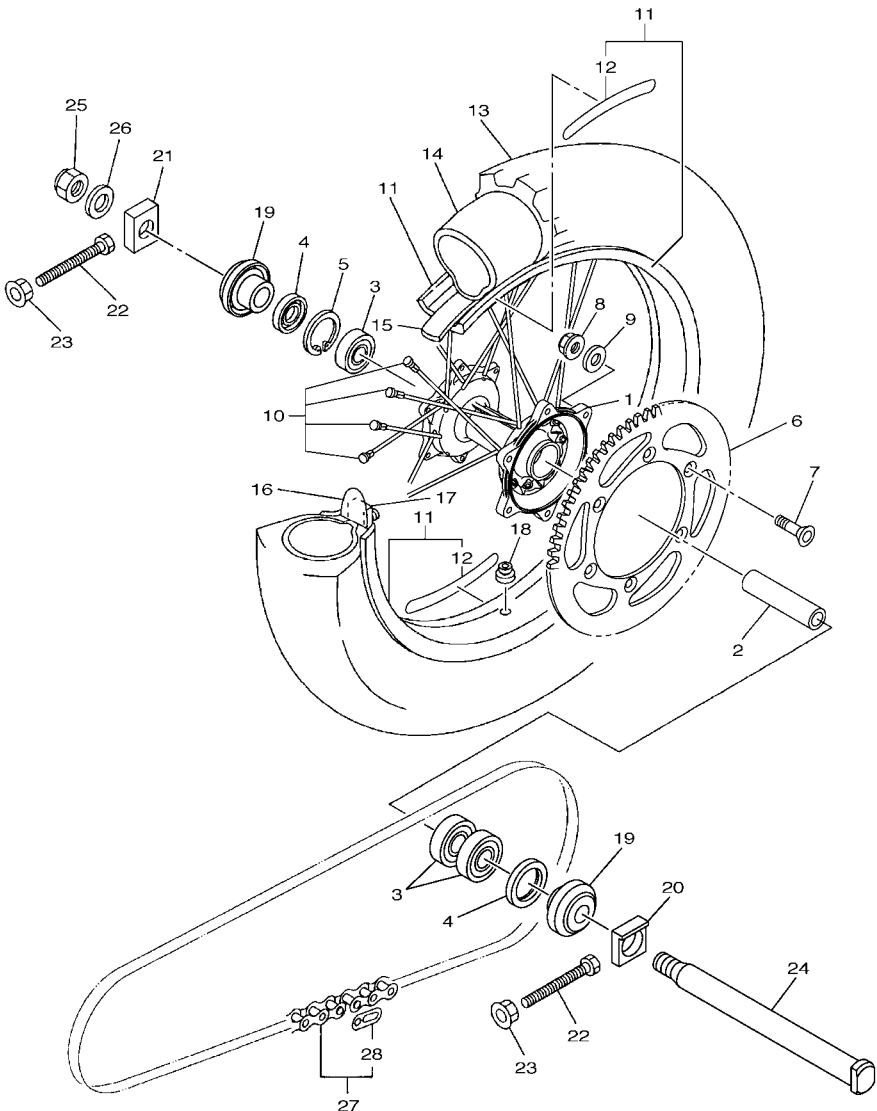
REF. NO.	PART NO.	DESCRIPTION	ISM1			REMARKS
1	17D-25311-00	HUB, REAR	1			
2	17D-25317-00	SPACER, BEARING	1			
3	93306-90510	BEARING	3			
4	93102-32337	OIL SEAL	2			
5	99009-42700	CIRCLIP	1			
6	17D-25450-50	SPROCKET, DRIVEN (50T)	1			STD
	17D-25447-50	SPROCKET, DRIVEN (47T)	1			AP
	17D-25448-50	SPROCKET, DRIVEN (48T)	1			AP
	17D-25449-50	SPROCKET, DRIVEN (49T)	1			AP
	17D-25451-50	SPROCKET, DRIVEN (51T)	1			AP
	17D-25452-50	SPROCKET, DRIVEN (52T)	1			AP
7	90109-08078	BOLT	6			
8	90185-08008	NUT, SELF-LOCKING	6			
9	90201-08048	WASHER, PLATE	6			
10	34P-25304-00	SPOKE SET, REAR	1			
11	94418-19026	RIM (1.85-19)	1			UR FOR DPBSE
	94418-19036	RIM (1.85-19)	1			UR FOR PWS1
12	17D-2531B-00	.EMBLEM, WHEEL	2			FOR PWS1
13	94110-19019	TIRE (100/90-19 57M M404)	1			BRIDGESTONE
14	94210-19222	TUBE (100/90-19 M/C TR4)	1			BRIDGESTONE
15	94316-19156	BAND, RIM (1.85-19)	1			BRIDGESTONE
16	4XM-25394-00	SPACER, BEAD	1			
17	4XM-25364-00	DAMPER	1			
18	90480-08608	GROMMET	1			
19	17D-2530S-00	COLLAR ASSY	2			
20	1SL-25388-00	PULLER, CHAIN 1	1			
21	1SL-25389-00	PULLER, CHAIN 2	1			



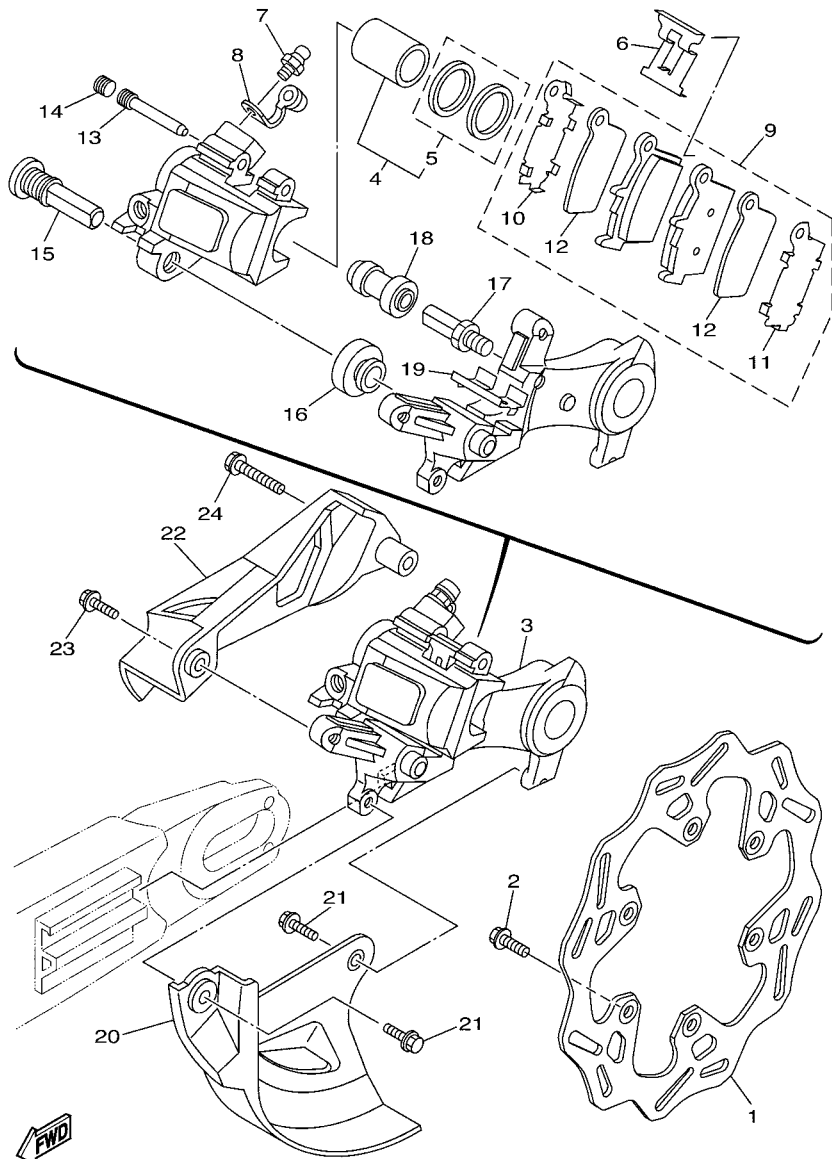
1SL1110-N300

FIG. 30 REAR WHEEL

REF. NO.	PART NO.	DESCRIPTION	TSM1					REMARKS
22	90101-08006	BOLT	2					
23	90179-08019	NUT	2					
24	17D-25381-00	AXLE, WHEEL	1					
25	90185-22011	NUT, SELF-LOCKING	1					
26	90201-22023	WASHER, PLATE	1					
27	9Y581-92113	CHAIN (DID520DMA2 SDH 114LL)	1					UR FOR DPBSE
	9Y582-28113	CHAIN (DID520DMA2-114LL)	1					UR FOR PWS1
28	94681-68001	.JOINT,CHAIN (DID 520DM-RJ)	1					UR FOR DPBSE
	94682-28001	.JOINT, CHAIN(DID520DM G&B-RJ)	1					UR FOR PWS1



FWD
1SL1110-N300



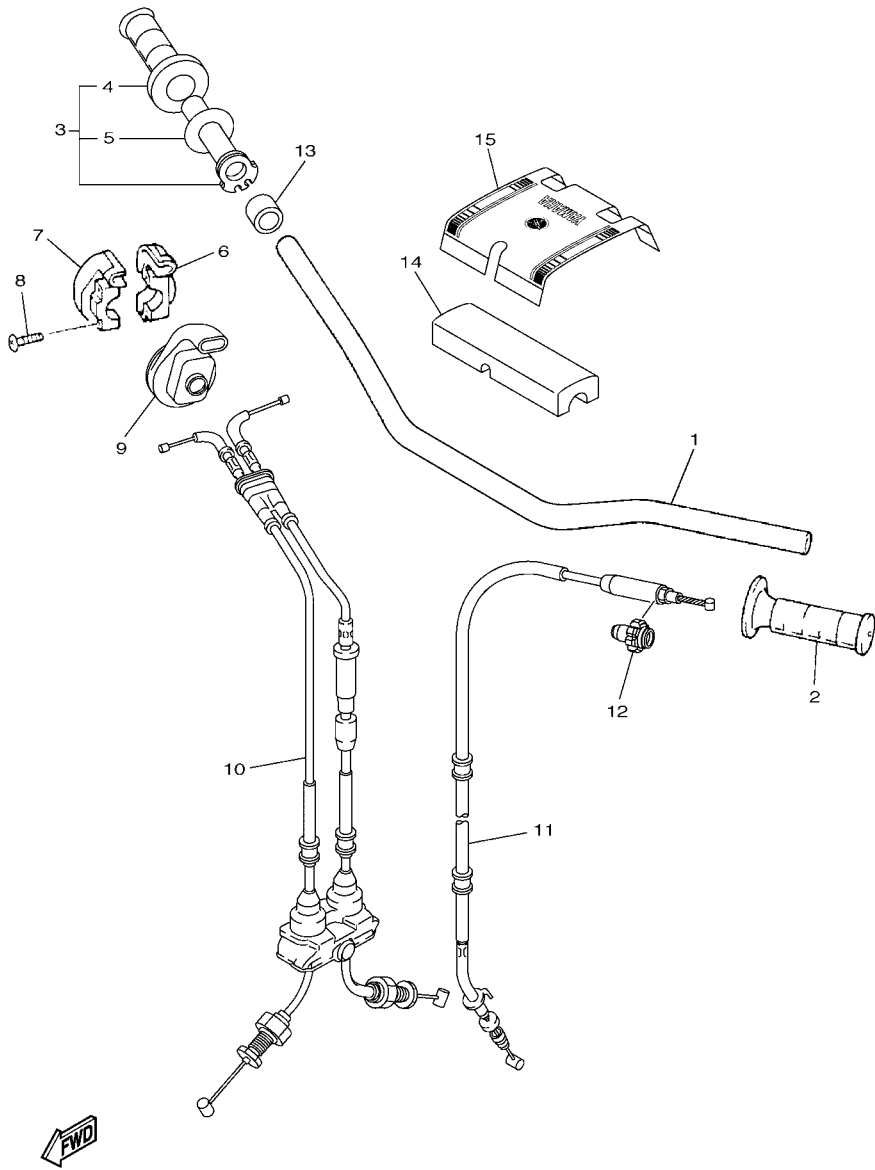
33DD110-M310

FIG. 31 REAR BRAKE CALIPER

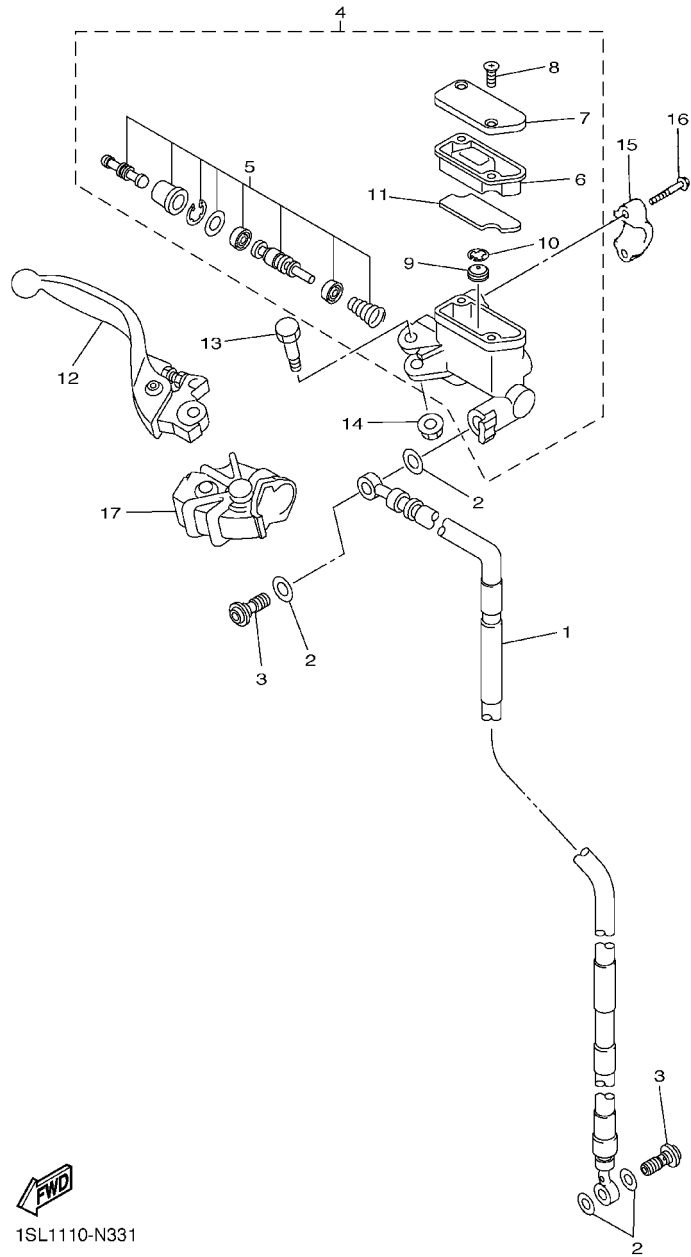
REF. NO.	PART NO.	DESCRIPTION	ISM1				REMARKS
1	2S2-2582W-70	DISK, REAR BRAKE 2	1				
2	90105-06156	BOLT, FLANGE	6				
3	17D-2580W-01	CALIPER ASSY, REAR 2	1				
4	5UN-W0057-50	.PISTON ASSY, CALIPER	1				
5	5UN-W0047-50	..CALIPER SEAL KIT	1				
6	5DH-25919-50	..SUPPORT, PAD	1				
7	1UY-25824-51	.SCREW, BLEED	1				
8	1UY-25825-51	.CAP	1				
9	1C3-W0046-50	.BRAKE PAD KIT 2	1				
10	5UN-25828-60	..SHIM, CALIPER	1				
11	5UN-25827-60	..SHIM, CALIPER	1				
12	5UN-22898-60	..INSULATOR, HEAT	2				
13	8CR-25924-00	.PIN, PAD	1				
14	5DH-25916-00	.PLUG	1				
15	5DH-25914-50	.PIN, SLIDE	1				
16	3JD-25917-00	.BOOT, CALIPER	1				
17	5UN-25914-00	.PIN, SLIDE	1				
18	1UY-25937-51	.BOOT 2	1				
19	5UN-25913-00	.RETAINER	1				
20	17D-25718-50	PROTECTOR, DISK BRAKE	1				
21	90105-06110	BOLT, FLANGE	2				
22	17D-27491-50	PROTECTOR	1				
23	90105-06110	BOLT, FLANGE	1				
24	90105-06111	BOLT, FLANGE	1				

FIG. 32 STEERING HANDLE & CABLE

REF. NO.	PART NO.	DESCRIPTION	ISM1				REMARKS
1	17D-26111-H0	HANDLEBAR	1				
2	4GY-26241-00	GRIP	1				
3	1SL-26240-00	GRIP ASSY	1				
4	4GY-26242-00	.GRIP (RIGHT)	1				
5	3Y1-26249-00	.RING, LEAF	1				
6	5BE-26281-01	CAP, GRIP UPPER	1				
7	5BE-26282-00	CAP, GRIP UNDER	1				
8	98507-05020	SCREW, PAN HEAD	2				
9	5SF-26287-11	COVER, CAP GRIP	1				
10	1SM-26302-00	THROTTLE CABLE ASSY	1				
11	1SM-26335-00	CABLE, CLUTCH	1				
12	34P-26342-00	BOOT, CABLE	1				
13	90387-225N2	COLLAR	1				
14	17D-26124-00	PROTECTOR, HANDLEBAR	1				
15	17D-26143-H0	COVER, HANDLE UPPER 1	1				



1SL1110-N320

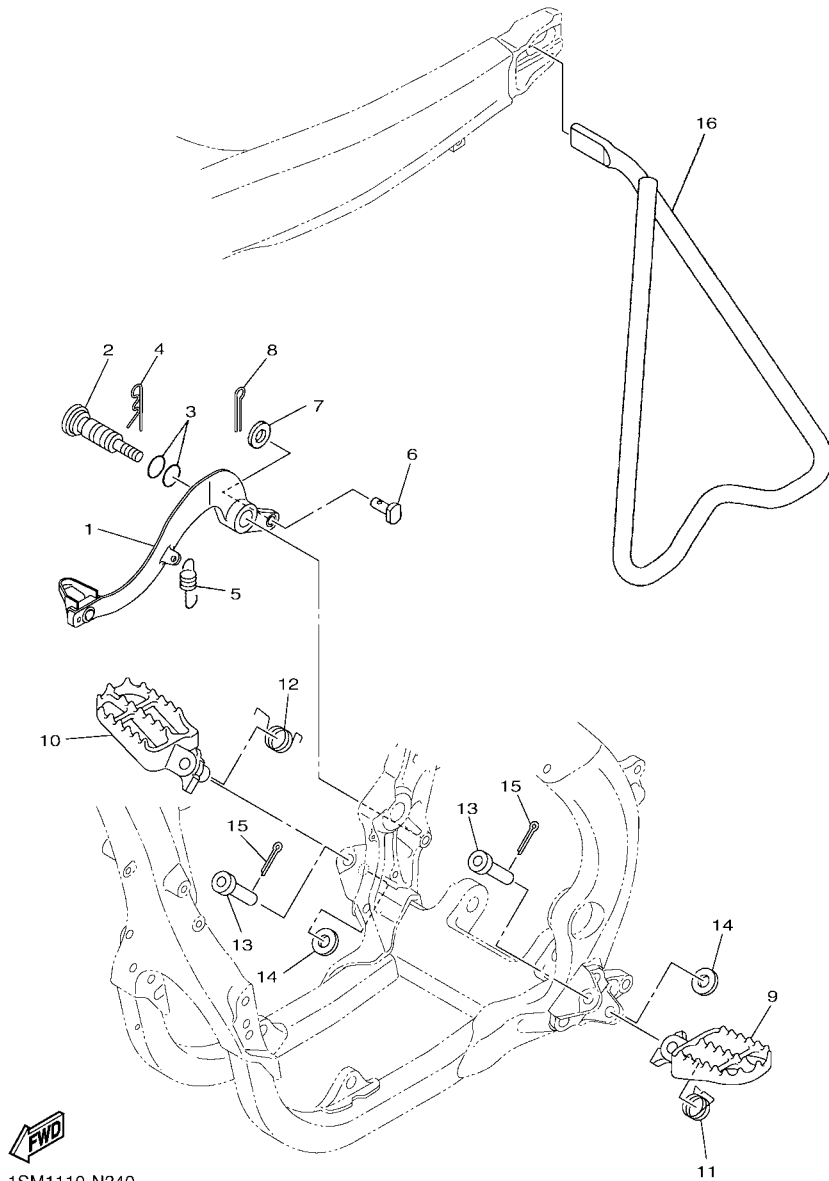


1SL1110-N331

FIG. 33 FRONT MASTER CYLINDER

REF. NO.	PART NO.	DESCRIPTION	ISM1				REMARKS
1	1SL-25872-00	HOSE, BRAKE 1	1				
2	90430-10005	GASKET	4				
3	90401-10172	BOLT, UNION	2				
4	5XC-W2587-00	MASTER CYLINDER SUB ASSY	1				
5	5XC-W0041-00	.CYLINDER KIT, MASTER	1				
6	5XC-25854-G0	.DIAPHRAGM, RESERVOIR	1				
7	5XC-25852-G0	.CAP, RESERVOIR	1				
8	98706-04012	.SCREW, FLAT HEAD	2				
9	5CG-25715-00	.SEPARATOR ASSY	1				
10	5CG-2585G-00	.CIRCLIP	1				
11	5XC-25853-G0	.FLOAT, RESERVOIR	1				
12	5XC-83922-L0	LEVER 2	1				
13	5MV-2589F-00	BOLT, LEVER	1				
14	95701-06500	NUT, WITH WASHER	1				
15	5MV-25867-00	BRACKET, MASTER CYLINDER	1				
16	5MV-25833-00	BOLT, FITTING	2				
17	5XC-26372-G0	COVER, HANDLE LEVER 1	1				

FIG. 34 STAND & FOOTREST



REF. NO.	PART NO.	DESCRIPTION	1SM1				REMARKS
1	17D-27200-51	PEDAL, BRAKE	1				
2	17D-27217-00	BOLT	1				
3	93210-11073	O-RING	2				
4	90468-16001	CLIP	1				
5	90506-20031	SPRING, TENSION	1				
6	90240-08120	PIN, CLEVIS	1				
7	90201-08044	WASHER, PLATE	1				
8	91402-20012	PIN, COTTER	1				
9	17D-27411-00	FOOTREST 1	1				
10	17D-27421-00	FOOTREST 2	1				
11	90508-28015	SPRING, TORSION	1				
12	90508-28018	SPRING, TORSION	1				
13	90240-10004	PIN, CLEVIS	2				
14	90201-10032	WASHER, PLATE	2				
15	91402-25015	PIN, COTTER	2				
16	34P-27311-00	STAND, SIDE	1				



33D1110-J350

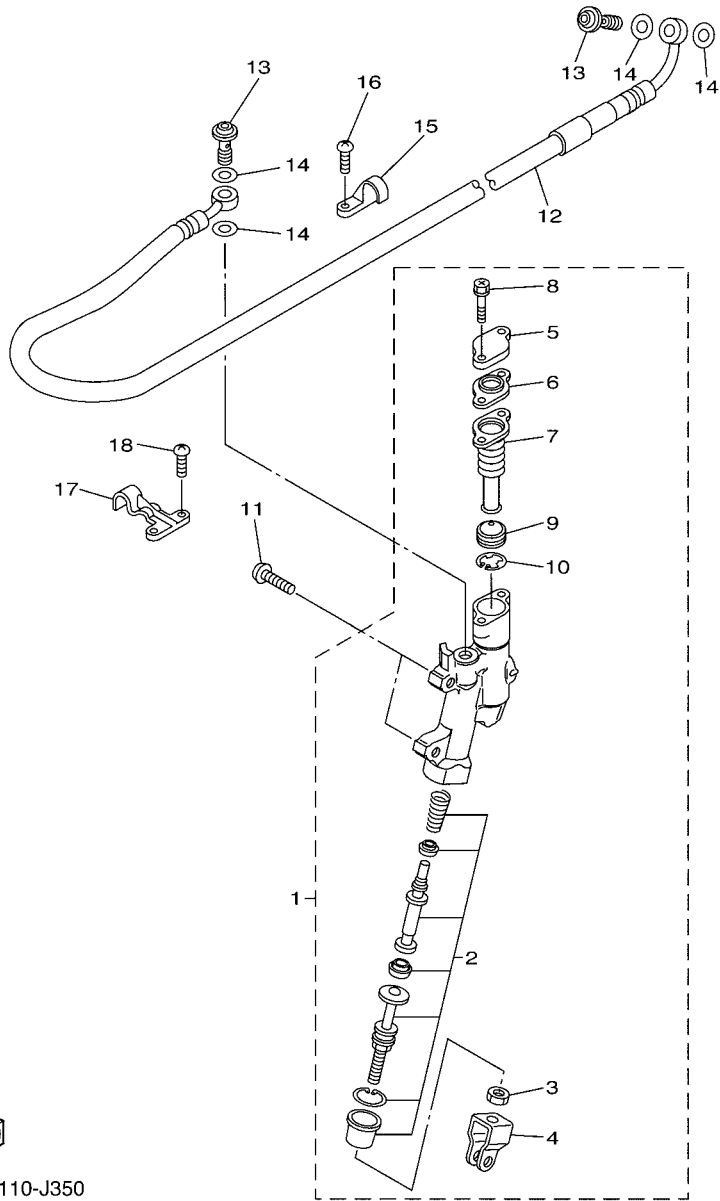
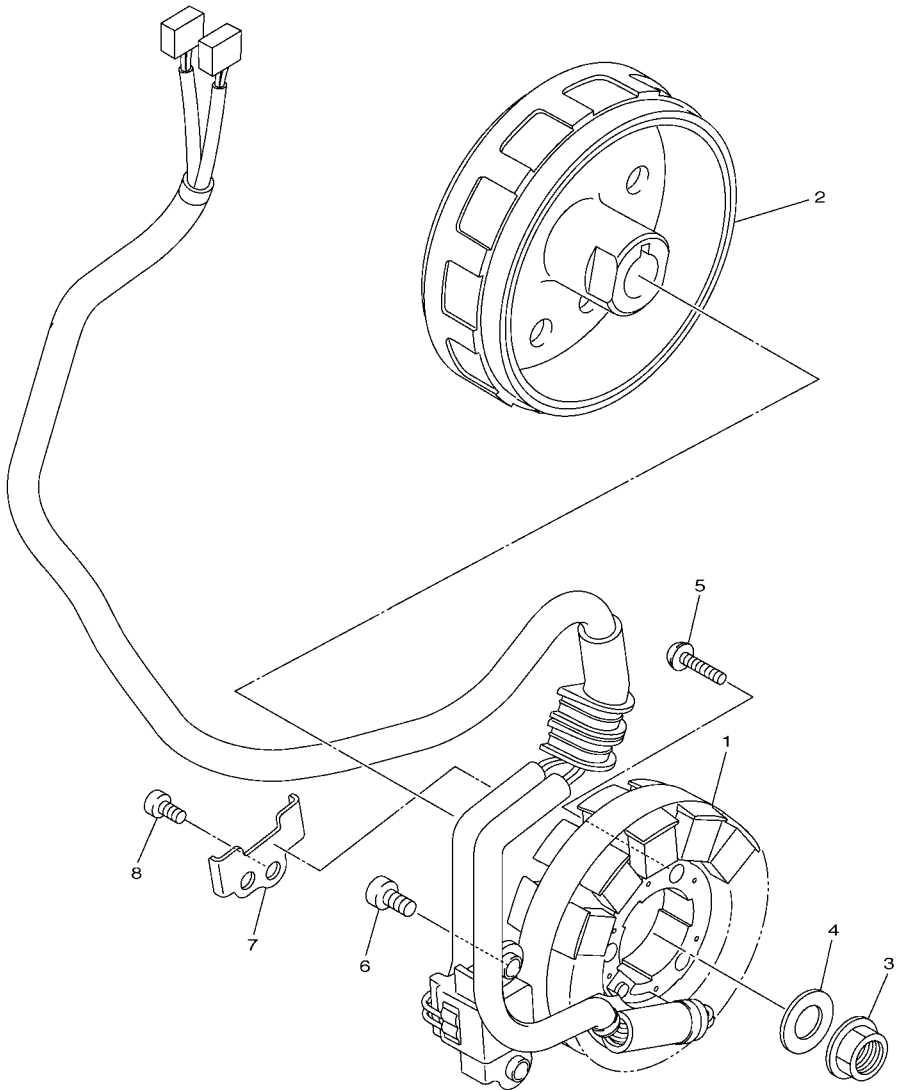


FIG. 35 REAR MASTER CYLINDER

REF. NO.	PART NO.	DESCRIPTION	ISM1			REMARKS
1	33D-2583V-00	RR. MASTER CYLINDER ASSY.	1			
2	5UN-W0042-50	.CYLINDER KIT, MASTER	1			
3	5UN-27218-00	.NUT	1			
4	5UN-27222-00	.JOINT	1			
5	5UN-25852-50	.CAP, RESERVOIR	1			
6	5UN-2585B-00	.PLATE, DIAPHRAGM	1			
7	5UN-25854-00	.DIAPHRAGM, RESERVOIR	1			
8	5UN-27217-00	.BOLT	2			
9	5CG-25715-00	.SEPARATOR ASSY	1			
10	5CG-2585G-00	.CIRCLIP	1			
11	90111-06116	BOLT, HEX. SOCKET BUTTON	2			
12	5XC-25873-L0	HOSE, BRAKE 2	1			
13	90401-10172	BOLT, UNION	2			
14	90430-10005	GASKET	4			
15	1C3-25886-50	HOLDER, BRAKE HOSE	1			
16	98502-05010	SCREW, PAN HEAD	2			
17	1C3-25876-50	HOLDER, BRAKE HOSE 2	1			
18	98502-05010	SCREW, PAN HEAD	2			

FIG. 36 GENERATOR

REF. NO.	PART NO.	DESCRIPTION	1SM1					REMARKS
1	1SL-81410-00	STATOR ASSY	1					
2	1SL-81450-00	ROTOR ASSY	1					
3	90179-12657	NUT	1					
4	90201-127E1	WASHER, PLATE	1					
5	90149-05031	SCREW	3					
6	90110-06161	BOLT, HEXAGON SOCKET HEAD	2					
7	1SL-81528-00	CLAMP 1	1					
8	90110-05032	BOLT, HEXAGON SOCKET HEAD	1					



1SL1110-N360

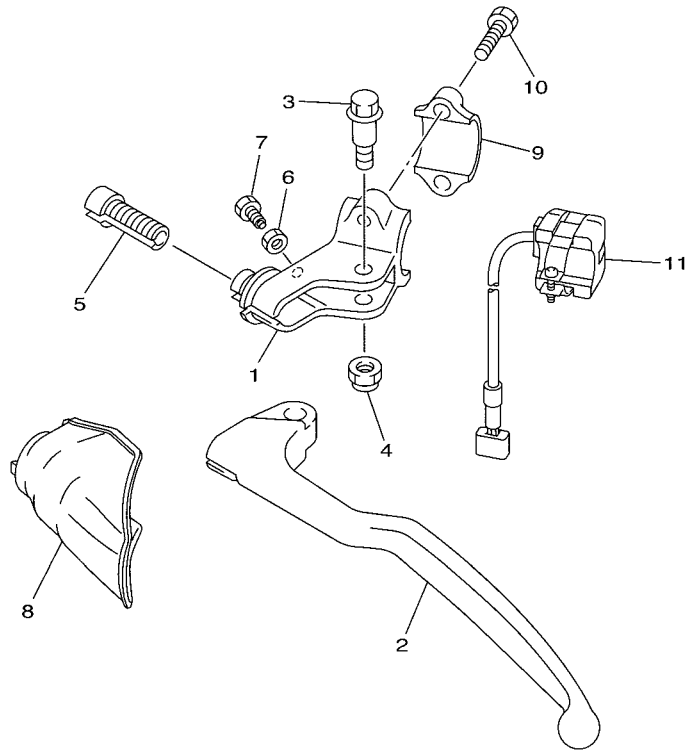


FIG. 37 HANDLE SWITCH & LEVER

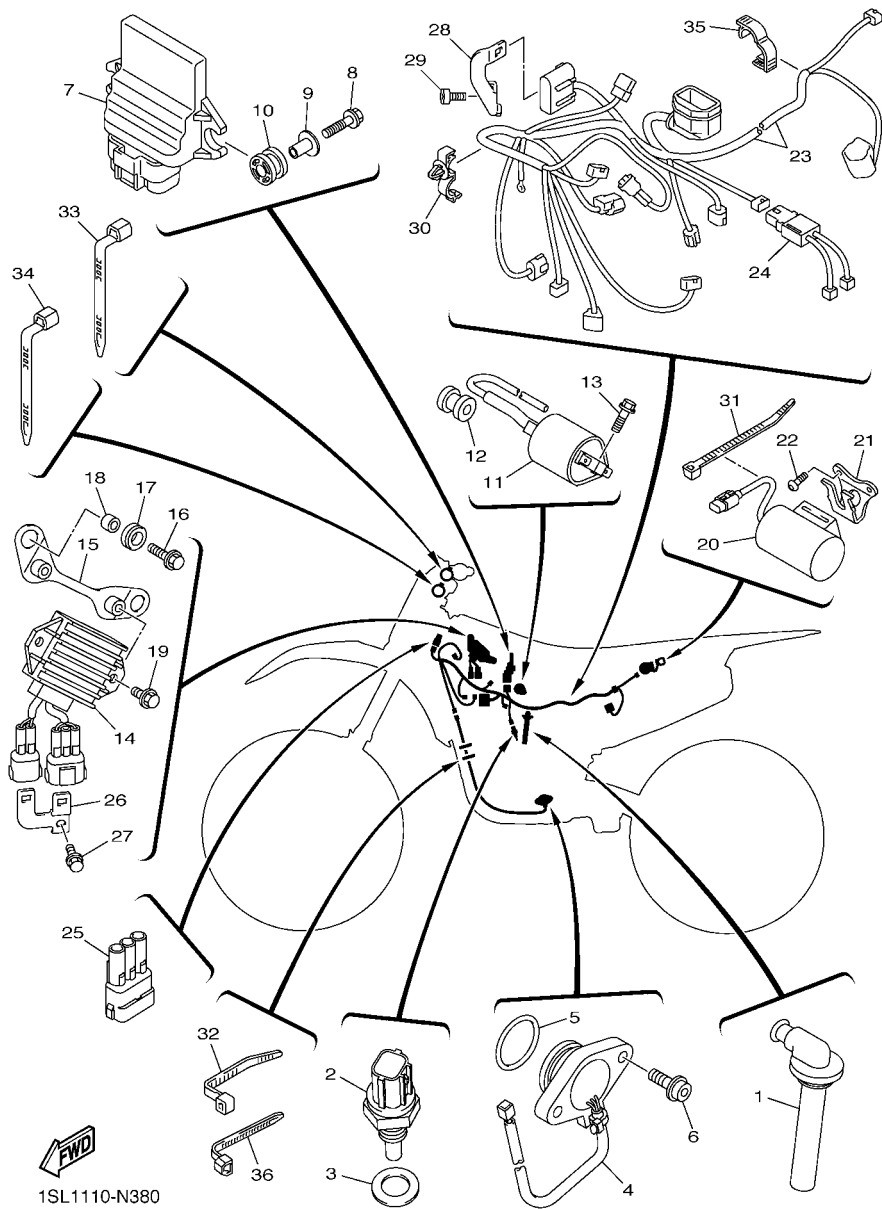
REF. NO.	PART NO.	DESCRIPTION	1SM1				REMARKS
1	17D-82911-00	HOLDER, LEVER 1	1				
2	17D-83912-00	LEVER 1	1				
3	90109-06034	BOLT	1				
4	5LP-84126-10	NUT, LENS FITTING	1				
5	17D-26337-00	BOLT, ADJUSTING	1				
6	95302-05600	NUT	1				
7	90101-05005	BOLT	1				
8	34P-26372-00	COVER, HANDLE LEVER 1	1				
9	33D-82913-00	HOLDER, LEVER LOWER 1	1				
10	95022-06020	BOLT, FLANGE	2				
11	1SL-83976-00	SWITCH, HANDLE 1	1				



33D1110-J370

FIG. 38 ELECTRICAL 1

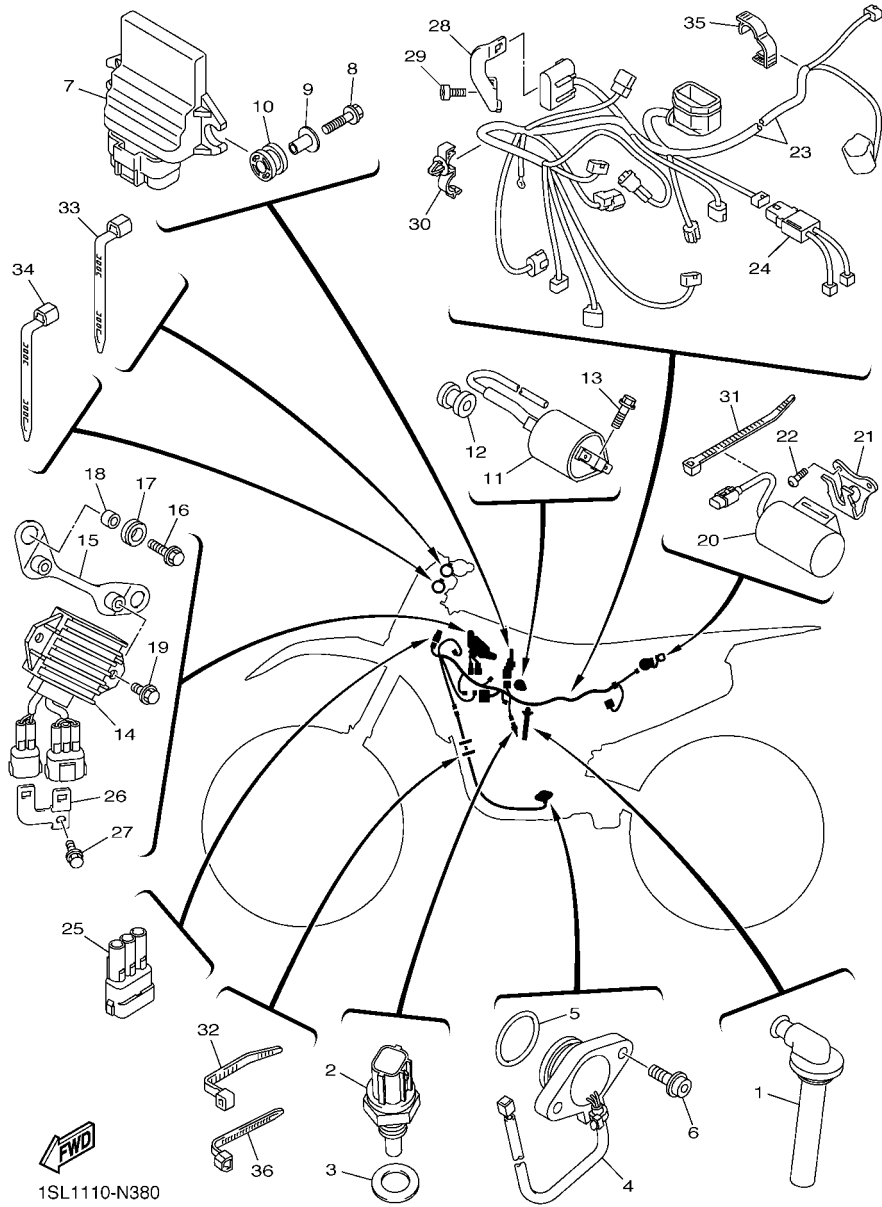
REF. NO.	PART NO.	DESCRIPTION	ISM1				REMARKS
1	33D-82370-00	PLUG CAP ASSY	1				
2	4P9-83591-00	THERMO UNIT	1				
3	90430-10004	GASKET	1				
4	1SL-82540-00	NEUTRAL SWITCH ASSY	1				
5	93210-21001	O-RING	1				
6	90110-05062	BOLT, HEXAGON SOCKET HEAD	2				
7	1SM-8591A-00	ENGINE CONTROL UNIT ASSY	1				
8	90105-05005	BOLT, FLANGE	2				
9	90387-05048	COLLAR	2				
10	90480-13029	GROMMET	2				
11	1SM-82310-00	IGNITION COIL ASSY	1				
12	90480-11015	GROMMET	1				
13	95022-06016	BOLT, FLANGE	2				
14	1SL-81960-00	RECTIFIER & REGULATOR ASSY	1				
15	1SL-21287-00	BRACKET, REGULATOR	1				
16	90105-06203	BOLT, FLANGE	2				
17	90480-13025	GROMMET	2				
18	90387-066J9	COLLAR	2				
19	90105-06064	BOLT, FLANGE	2				
20	1SL-81965-00	CONDENSER, SMOOTHING	1				
21	1SL-21273-00	BRKT. CONDENSER	1				
22	92017-05012	BOLT, BUTTON HEAD	2				
23	1SM-82590-00	WIRE HARNESS ASSY	1				
24	1SL-82309-00	WIRE, SUB LEAD	1				
25	33D-82378-00	CONNECTOR	1				
26	1SL-82388-00	PLATE	1				
27	90105-06110	BOLT, FLANGE	1				

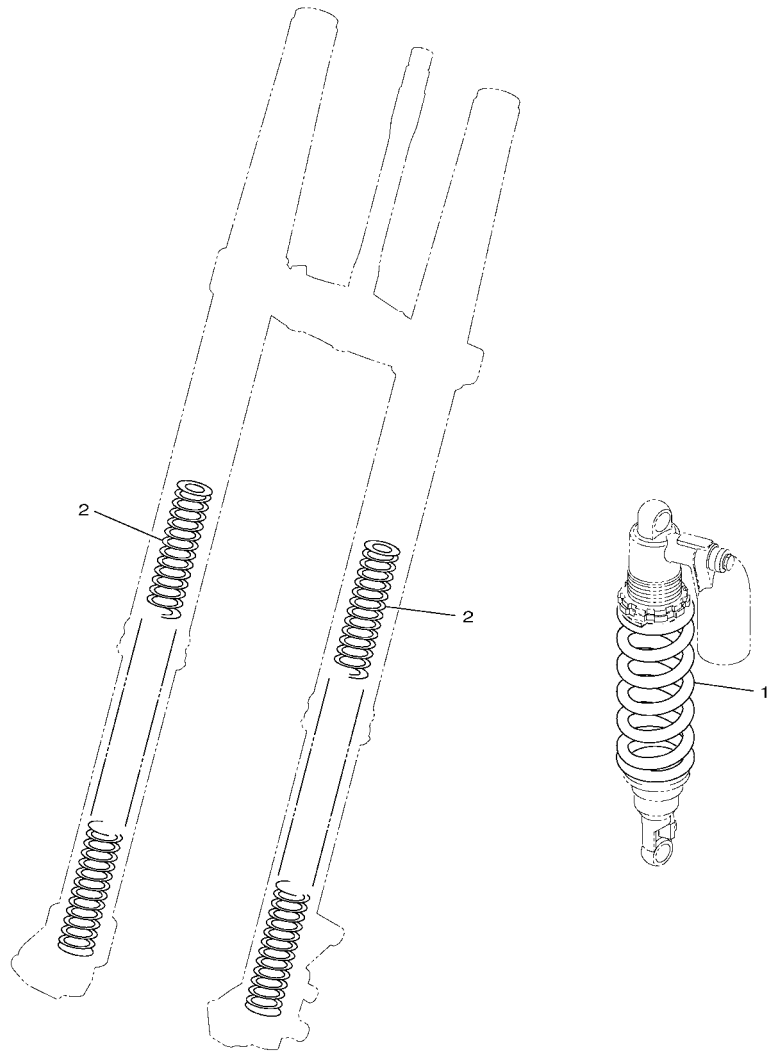


1SL1110-N380

FIG. 38 ELECTRICAL 1

REF. NO.	PART NO.	DESCRIPTION	1SM1				REMARKS
28	1SL-82389-00	PLATE 2	1				
29	91380-06012	BOLT	1				
30	90464-17003	CLAMP	1				
31	90465-12356	CLAMP	1				
32	90465-10098	CLAMP	2				
33	90464-13077	CLAMP	1				
34	90464-13073	CLAMP	1				
35	90464-18004	CLAMP	1				
36	90464-15195	CLAMP	1				





1SL1110-N390

FIG. 39 ALTERNATE FOR CHASSIS

REF. NO.	PART NO.	DESCRIPTION	ISM1				REMARKS
1	1SL-22212-00	SPRING (K=58 BLUE)	1				AP FOR DPBSE
	1SL-22212-10	SPRING (K=58 RED)	1				AP FOR PWS1
	1SL-22212-40	SPRING (K=52 BLUE)	1				AP FOR DPBSE
	1SL-22212-50	SPRING (K=52 RED)	1				AP FOR PWS1
	1SL-22212-60	SPRING (K=54 BLUE)	1				AP FOR DPBSE
	1SL-22212-70	SPRING (K=54 RED)	1				AP FOR PWS1
	1SL-22212-80	SPRING (K=60 BLUE)	1				AP FOR DPBSE
	1SL-22212-90	SPRING (K=60 RED)	1				AP FOR PWS1
2	1SL-23141-20	SPRING, FRONT FORK (K=4.5)	1				AP
	1SL-23141-30	SPRING, FRONT FORK (K=4.6)	1				AP
	1SL-23141-40	SPRING, FRONT FORK (K=4.7)	1				AP
	1SL-23141-50	SPRING, FRONT FORK (K=4.8)	1				AP
	1SL-23141-60	SPRING, FRONT FORK (K=4.9)	1				AP
	1SL-23141-70	SPRING, FRONT FORK (K=5.0)	1				AP

NUMERICAL INDEX

PART NO.	REF. NO.	PART NO.	REF. NO.	PART NO.	REF. NO.	PART NO.	REF. NO.	PART NO.	REF. NO.	PART NO.	REF. NO.
1SM-11101-09	1 - 1	3LD-12168-H1	3 - 14	1SM-13597-00	9 - 1	1SM-14788-00	11 - 12	1SM-17411-00	16 - 2	1SL-2172F-00	21 - 35
3D7-11133-10	1 - 3	3LD-12168-K1	3 - 14	1SM-13750-00	10 - 1	1SM-15100-09	12 - 1	1SM-1742A-00	16 - 12	1SL-21730-00	21 - 19
5TA-11134-10	1 - 2	3LD-12168-M1	3 - 14	1SM-13761-00	10 - 11	1SM-15138-00	12 - 2	1SL-17466-00	12 - 16	1SM-2173E-00	21 - 8
1SM-11166-00	1 - 19	3LD-12168-R1	3 - 14	33D-13907-00	26 - 15	1SM-15155-00	12 - 4	1SM-18101-00	18 - 10	1SM-2173F-00	21 - 18
1SM-11181-00	1 - 11	3LD-12168-U1	3 - 14	1SM-13938-00	10 - 2	3Y1-15361-00	13 - 8	1SL-18110-00	18 - 14	1SL-21740-00	21 - 25
1SM-11190-09	1 - 17	3LD-12168-W1	3 - 14	1SM-13971-00	26 - 19	3Y1-15363-10	13 - 6	1SL-18122-00	18 - 3	1DX-21746-00	21 - 14
1SM-11193-00	1 - 23	3LD-12168-Y1	3 - 14	3TJ-14137-40	10 - 10	17D-15378-00	13 - 20	1SL-18140-00	17 - 12	1SL-21748-00	21 - 23
1SM-11194-00	1 - 22	3LD-12169-11	3 - 14	1SM-14147-00	10 - 12	4JT-15381-01	12 - 20	1SL-18172-00	18 - 8		21 - 29
5UM-1119E-00	1 - 21	3LD-12169-31	3 - 14	1SL-14171-00	10 - 4	18P-15383-00	12 - 18	3XJ-18173-10	18 - 2	17D-21749-00	21 - 20
1SM-11311-00	1 - 24	3LD-12169-50	3 - 14	1SM-141A1-00	10 - 13	1SM-15388-00	12 - 22	33D-18175-00	17 - 15		21 - 26
1SM-11351-00	1 - 25	3LD-12169-70	3 - 14	1DX-14216-00	10 - 9	1SM-15411-00	13 - 1	3XJ-18178-00	18 - 4	5BE-21749-00	20 - 8
1SM-11400-00	2 - 1	3LD-12169-90	3 - 14	1SL-14293-00	9 - 4	1SM-15415-00	13 - 21	3XJ-18182-00	18 - 5		21 - 11
1SM-11412-00	2 - 2	3LD-12169-E0	3 - 14	33D-14325-00	10 - 5	1SL-15421-00	12 - 15	3XJ-18184-00	18 - 7	5TA-21749-00	21 - 3
1SM-11422-00	2 - 3	3LD-12169-G0	3 - 14	33D-14348-00	10 - 6	1SM-15431-00	13 - 13	1SL-18185-00	18 - 1		21 - 12
1SM-11454-00	2 - 13	3LD-12169-J0	3 - 14	1SL-14411-00	9 - 7	1SL-15441-00	12 - 13	1SM-18511-00	17 - 6	1SL-2175C-00	9 - 38
1SM-11455-00	2 - 9	3LD-12169-L0	3 - 14	1SL-14412-00	9 - 26	1SM-15451-00	13 - 9	1SM-18512-00	17 - 7	5FK-2175C-30	20 - 13
1SM-11464-00	2 - 17	3LD-12169-N0	3 - 14	1SL-14412-10	9 - 26	1SM-15453-00	13 - 22	1SM-18513-00	17 - 8	1SL-2176M-00	21 - 4
1SM-11531-00	2 - 12	3LD-12169-T0	3 - 14	1SL-14422-00	9 - 17	1SM-15462-00	13 - 17	1SL-18531-00	17 - 9	1SM-217R0-00	21 - 19
1SM-11536-00	2 - 8	1SM-12170-00	4 - 1	1SL-14428-00	9 - 13	1SM-15601-00	14 - 1	1SL-18535-00	17 - 10	1SL-217R0-10	21 - 19
1SM-11603-00	2 - 22	1SM-12180-00	4 - 2	1SL-14437-00	9 - 30	1SM-15620-00	14 - 18	1SM-18541-00	17 - 1	1SM-217S0-00	21 - 25
1SM-11631-00	2 - 21	5TA-12210-10	4 - 4	1SL-1443A-00	9 - 31	1SM-15621-00	14 - 19	3D7-18542-00	17 - 2	1SL-217S0-10	21 - 25
1SM-11633-00	2 - 23	4FM-12213-00	4 - 7	1SL-14442-00	9 - 24	1SM-15641-00	14 - 2	1SL-18562-00	12 - 23	1SL-22110-00	22 - 1
1SM-11651-00	2 - 6	5EL-12214-00	4 - 5	1SL-14451-00	9 - 11	1SM-15651-00	14 - 15	1SL-21101-00	19 - 1	5XC-22121-91	22 - 28
1SM-11681-00	2 - 4	5EL-12228-00	4 - 6	1SL-14452-00	9 - 27	5NL-15664-00	14 - 9	1SL-21163-00	19 - 37	34P-22122-00	22 - 29
1SM-116A0-00	2 - 20	1SL-12233-00	4 - 12	1SM-14453-00	9 - 8	2NX-15668-00	14 - 12	5PA-2118K-00	20 - 14	2S2-22128-70	22 - 11
1SM-12111-00	3 - 1	5BE-12241-00	1 - 18	1SL-14457-00	9 - 28	2S2-15671-00	14 - 5	1SL-21190-00	19 - 5	33D-22141-00	22 - 15
1SM-12113-00	3 - 6	1SM-12251-00	4 - 10	1SL-14458-00	9 - 12	214-15674-00	14 - 11	1SL-21273-00	38 - 21	34P-22151-01	22 - 8
1SM-12114-00	3 - 7	1SM-12252-10	4 - 11	1SL-14459-00	9 - 9	1SM-16111-00	15 - 1	1SL-21287-00	38 - 15	5UN-22176-00	23 - 15
1SM-12116-00	3 - 4	1SL-1240A-00	6 - 7	1SL-14462-00	9 - 18	1SM-16150-00	15 - 5	1SM-21335-00	19 - 35	30X-22178-00	19 - 8
1SM-12117-00	3 - 8	33D-12422-00	5 - 10	33D-14486-00	10 - 3	1SM-16154-00	15 - 6	1SM-21417-00	19 - 22	3JD-22178-20	19 - 13
1AA-12118-00	3 - 10	33D-12427-00	5 - 11	1DX-14562-00	10 - 8	1SM-16181-00	15 - 15	1SM-21418-00	19 - 23	17D-2217A-00	22 - 18
1WG-12118-00	3 - 11	1SM-12446-00	6 - 4	1SM-14611-00	11 - 1	5XC-16321-00	15 - 8	1SM-21425-00	19 - 29	33D-2217F-00	22 - 24
33M-12119-00	3 - 15	1SM-12450-00	5 - 1	5NL-14613-00	11 - 5	5NL-16325-00	15 - 9	1SM-21426-00	19 - 30	4V4-22184-00	19 - 9
4TE-12119-00	3 - 3	1SM-12453-00	5 - 5	1SM-14621-00	11 - 7	1SM-16351-00	15 - 10	17D-21447-00	19 - 2	5MV-22184-00	23 - 16
1SM-12121-00	3 - 2	1SL-12461-00	6 - 8	1SL-14628-00	11 - 2	1SM-16356-00	15 - 19	17D-21448-00	19 - 3	2S2-22199-70	22 - 10
1SM-12126-00	3 - 5	5SL-12462-00	6 - 9	1SM-14639-00	11 - 14	1SM-16357-00	15 - 24	1SM-21471-00	19 - 32	1SM-22200-00	23 - 1
1SM-12127-00	3 - 9	33D-12465-00	6 - 10	1SL-1463B-00	11 - 9	5NL-16371-40	15 - 7	17D-21511-50	20 - 1	1SM-22200-10	23 - 1
3FV-12153-09	3 - 13	1SL-12482-00	6 - 1	1SM-1466G-00	11 - 22	1SM-16381-00	15 - 25	17D-21511-60	20 - 1	1SM-22201-00	23 - 2
5EB-12153-09	3 - 12	5NL-12564-00	5 - 16	1SM-1469A-00	11 - 23	1SM-16383-00	15 - 13	1SL-21610-00	20 - 6	1SL-22212-00	39 - 1
3FV-12153-10	3 - 13	1SM-12576-00	6 - 14	1SL-1469F-00	11 - 25	1SM-17121-00	16 - 9	1SL-21610-10	20 - 6	1SL-22212-10	39 - 1
5EB-12153-10	3 - 12	1SL-12577-00	6 - 15	1SL-14714-00	11 - 28	1SM-17131-00	16 - 6	5XE-21635-10	20 - 7	1SL-22212-20	23 - 9
3LD-12168-00	3 - 14	1SM-12578-00	6 - 16	1SL-14715-00	11 - 29	1SM-17141-00	16 - 7	17D-21642-00	20 - 11	1SL-22212-30	23 - 9
3LD-12168-20	3 - 14	1SM-12579-00	6 - 17	5VY-14747-00	11 - 15	1SM-17151-00	16 - 3	3RV-21668-A0	22 - 32	1SL-22212-40	39 - 1
3LD-12168-40	3 - 14	1SM-13300-00	7 - 1	1SM-14750-00	11 - 19	1SM-17211-00	16 - 21	1SL-21710-00	21 - 1	1SL-22212-50	39 - 1
3LD-12168-60	3 - 14	1SL-13411-00	7 - 4	5PX-14755-00	11 - 8	1SM-17221-00	16 - 13	1SL-21719-00	21 - 13	1SL-22212-60	39 - 1
3LD-12168-80	3 - 14	5D3-13440-01	8 - 1	1SM-1477E-00	11 - 24	17D-17231-10	16 - 17	1SL-2171E-00	19 - 41	1SL-22212-70	39 - 1
3LD-12168-A0	3 - 14	1SL-13447-00	8 - 2	1SL-1477G-00	11 - 26	1SM-17241-00	16 - 16	1SL-21720-00	21 - 9	1SL-22212-80	39 - 1
3LD-12168-F0	3 - 14	33D-13577-00	10 - 7	1SL-1477H-00	11 - 27	1SM-17251-00	16 - 20	1SL-2172A-00	21 - 34	1SL-22212-90	39 - 1

NUMERICAL INDEX

PART NO.	REF. NO.	PART NO.	REF. NO.	PART NO.	REF. NO.	PART NO.	REF. NO.	PART NO.	REF. NO.	PART NO.	REF. NO.
1SL-22213-00	23 - 7	17D-23153-00	25 - 27	33D-24491-00	26 - 17	2S2-2582W-70	31 - 1	5XC-26372-G0	33 - 17	90101-06044	14 - 13
33D-22214-00	23 - 10	5XE-23153-L0	25 - 9	1SL-24610-00	26 - 4	5MV-25833-00	33 - 16	17D-27200-51	34 - 1	90101-08006	30 - 22
33D-22224-00	23 - 11		25 - 33	1SL-2464E-00	27 - 3	33D-2583V-00	35 - 1	17D-27217-00	34 - 2	90105-05005	38 - 8
4JX-22226-00	23 - 4	2HH-23158-L0	25 - 23	18P-2464V-00	19 - 50	5XC-25849-G0	29 - 16	5UN-27217-00	35 - 8	90105-06027	1 - 5
33D-22234-00	23 - 6		25 - 47	5YT-24665-00	6 - 11	5UN-25852-50	35 - 5	5UN-27218-00	35 - 3	90105-06064	21 - 31
5NY-22241-00	23 - 22	17D-2315H-50	25 - 52	18P-2467E-00	19 - 49	5XC-25852-G0	33 - 7	5UN-27222-00	35 - 4		24 - 18
5XE-22242-00	23 - 19	17D-2315J-50	25 - 51	1SL-2470F-00	27 - 2	5XC-25853-G0	33 - 11	34P-27311-00	34 - 16		38 - 19
1C3-22253-50	23 - 12	1SM-2316A-00	25 - 14	1SL-2470F-10	27 - 2	5UN-25854-00	35 - 7	17D-27411-00	34 - 9	90105-06081	12 - 24
1C3-22253-L1	23 - 17		25 - 38	1SL-24710-00	27 - 1	5XC-25854-G0	33 - 6	17D-27421-00	34 - 10	90105-06099	12 - 14
4AA-22259-80	23 - 8	1SM-23170-00	25 - 11	1SL-24710-10	27 - 1	5UN-2585B-00	35 - 6	17D-27491-50	31 - 22	90105-06100	20 - 9
4EW-22474-00	23 - 14		25 - 35	1SL-24734-00	27 - 5	5CG-2585G-00	33 - 10	17D-2812P-00	20 - 15	90105-06102	13 - 19
3JE-22475-00	23 - 13	5XE-23171-L0	25 - 5	1SL-24742-00	27 - 4		35 - 10	17D-2814F-00	19 - 48	90105-06104	22 - 12
5NY-22475-00	23 - 18		25 - 29	5NY-25104-00	28 - 7	5MV-25867-00	33 - 15	5ET-28166-10	19 - 47	90105-06105	22 - 14
5UN-22898-60	31 - 12	5DH-23183-00	23 - 5	1SL-25111-00	28 - 1	1SL-25872-00	33 - 1	1SL-81410-00	36 - 1	90105-06110	31 - 21
1C3-22969-90	22 - 9	509-23184-L0	23 - 3	1SL-25117-00	28 - 3	5XC-25873-L0	35 - 12	1SL-81450-00	36 - 2		31 - 23
1SM-23102-00	25 - 1	1C3-23188-L0	25 - 15	1SL-25181-00	28 - 12	1C3-25876-50	35 - 17	1SL-81528-00	36 - 7		38 - 27
1SM-23103-00	25 - 25		25 - 39	1SL-25183-00	28 - 13	1C3-25886-50	35 - 15	1SL-81960-00	38 - 14	90105-06111	31 - 24
1SL-23110-00	25 - 28	1C3-23188-N0	25 - 16	1SL-25186-00	28 - 14	5MV-2589F-00	33 - 13	1SL-81965-00	38 - 20	90105-06127	20 - 3
5XC-23111-00	25 - 22		25 - 40	34P-25304-00	30 - 10	5UN-25913-00	31 - 19	1SL-82309-00	38 - 24	90105-06148	4 - 8
	25 - 46	1C3-23188-P0	25 - 17	17D-2530S-00	30 - 19	5UN-25914-00	31 - 17	1SM-82310-00	38 - 11	90105-06156	31 - 2
276-23114-00	25 - 24		25 - 41	17D-25311-00	30 - 1	5DH-25914-50	31 - 15	33D-82370-00	38 - 1	90105-06170	9 - 36
	25 - 48	1C3-23188-R0	25 - 20	17D-25317-00	30 - 2	3SP-25914-51	29 - 13	33D-82378-00	38 - 25		24 - 3
1SL-23120-00	25 - 4		25 - 44	17D-2531B-00	28 - 6	5DH-25916-00	29 - 11	2C0-82380-00	10 - 15		25 - 56
5XE-23125-L0	25 - 6	1C3-23190-L0	25 - 19		30 - 12		31 - 14	1SL-82388-00	38 - 26		26 - 7
	25 - 30		25 - 43	4XM-25364-00	30 - 17	3JD-25917-00	29 - 14	1SL-82389-00	38 - 28		26 - 11
33D-23136-00	25 - 2	33D-23340-00	25 - 49	17D-25381-00	30 - 24		31 - 16	1SL-82540-00	38 - 4	90105-06179	21 - 32
	25 - 26	17D-23389-50	24 - 2	1SL-25388-00	30 - 20	5DH-25919-00	29 - 6	1SM-82590-00	38 - 23	90105-06189	12 - 17
1SL-23141-10	25 - 21	17D-23416-50	24 - 6	1SL-25389-00	30 - 21	5DH-25919-50	31 - 6	17D-82911-00	37 - 1	90105-06203	9 - 37
	25 - 45	1SL-23434-00	24 - 13	4XM-25394-00	30 - 16	8CR-25924-00	31 - 13	33D-82913-00	37 - 9		19 - 34
1SL-23141-20	39 - 2	1SL-23435-00	24 - 9	5SF-25394-00	28 - 11	3SP-25926-51	29 - 12	4P9-83591-00	38 - 2		21 - 33
1SL-23141-30	39 - 2	18P-23441-00	24 - 11	17D-25447-50	30 - 6	5DH-25933-00	29 - 10	17D-83912-00	37 - 2		38 - 16
1SL-23141-40	39 - 2	1SL-23442-00	24 - 12	17D-25448-50	30 - 6	1UY-25937-51	29 - 15	5XC-83922-L0	33 - 12	90105-08137	11 - 16
1SL-23141-50	39 - 2	17D-23466-00	25 - 54	17D-25449-50	30 - 6		31 - 18	1SL-83976-00	37 - 11		29 - 17
1SL-23141-60	39 - 2	17D-23467-00	25 - 55	17D-25450-50	30 - 6	17D-26111-H0	32 - 1	5LP-84126-10	37 - 4	90105-08143	19 - 24
1SL-23141-70	39 - 2	33D-23472-00	19 - 6	17D-25451-50	30 - 6	17D-26124-00	32 - 14	1SL-85885-00	10 - 14		19 - 31
17D-23142-00	25 - 13	17D-23485-50	24 - 17	17D-25452-50	30 - 6	17D-26143-H0	32 - 15	8FP-85886-00	9 - 14	90105-08154	24 - 16
	25 - 37	1SL-24110-00	26 - 1	5CG-25715-00	33 - 9	1SL-26240-00	32 - 3	1SM-8591A-00	38 - 7		25 - 50
5XE-23144-L0	25 - 10	1SL-24115-00	26 - 6		35 - 9	4GY-26241-00	32 - 2	5XC-W0041-00	33 - 5	90105-08230	11 - 32
	25 - 34	4EW-2412F-00	26 - 21	17D-25718-50	31 - 20	4GY-26242-00	32 - 4	5UN-W0042-50	35 - 2		19 - 7
17D-23145-00	25 - 8	33D-24135-00	26 - 20	5XC-2580T-G0	29 - 3	3Y1-26249-00	32 - 5	5XC-W0045-00	29 - 9		21 - 6
	25 - 32	1S4-2414J-00	26 - 2	17D-2580W-01	31 - 3	5BE-26281-01	32 - 6	1C3-W0046-50	31 - 9		21 - 16
5XC-23146-10	25 - 7	3FB-2415E-02	20 - 5	5XC-2581T-G0	29 - 1	5BE-26282-00	32 - 7	5KM-W0047-10	29 - 5	90105-08232	19 - 16
	25 - 31	1SL-24181-00	19 - 44	1UY-25824-51	29 - 7	5SF-26287-11	32 - 9	5UN-W0047-50	31 - 5	90105-09004	1 - 13
1AE-23147-00	25 - 18	33D-24182-00	19 - 45		31 - 7	1SM-26302-00	32 - 10	5XC-W0057-00	29 - 4	90105-10176	19 - 19
	25 - 42	33D-24183-00	19 - 46	1UY-25825-51	29 - 8	1SM-26335-00	32 - 11	5UN-W0057-50	31 - 4	90105-10189	19 - 28
1C3-23147-L0	25 - 12	1SL-24188-00	26 - 3		31 - 8	17D-26337-00	37 - 5	5XC-W2587-00	33 - 4	90105-10443	19 - 25
	25 - 36	1SL-2419A-00	26 - 10	5UN-25827-60	31 - 11	34P-26342-00	32 - 12	90101-05005	37 - 7	90109-06034	37 - 3
17D-23153-00	25 - 3	33D-24486-00	26 - 16	5UN-25828-60	31 - 10	34P-26372-00	37 - 8	90101-06041	18 - 9	90109-06232	25 - 53

NUMERICAL INDEX

PART NO.	REF. NO.	PART NO.	REF. NO.	PART NO.	REF. NO.	PART NO.	REF. NO.	PART NO.	REF. NO.	PART NO.	REF. NO.
90109-08078	30 - 7	90185-08009	19 - 17	90269-06008	9 - 20	90430-10188	12 - 7	91312-06060	12 - 10	93310-63096	2 - 5
90110-05032	12 - 5	90185-10012	23 - 23	90280-03006	2 - 25	90445-09008	26 - 5	91317-06075	12 - 12	93315-32166	22 - 19
	36 - 8	90185-14010	22 - 31	90340-12007	1 - 6	90450-22001	6 - 20	91380-06012	38 - 29		22 - 25
90110-05033	7 - 2	90185-16002	22 - 16	90340-14011	13 - 4	90450-25001	6 - 19	91402-20012	34 - 8	93317-11096	15 - 26
90110-05058	26 - 18	90185-22011	30 - 25	90340-36002	13 - 2	90450-28001	6 - 18	91402-25015	34 - 15	93317-22262	22 - 2
90110-05062	38 - 6	90201-05017	11 - 3	90387-05048	38 - 9	90450-58007	9 - 6	91808-16023	1 - 4	93332-00068	24 - 5
90110-05064	11 - 20		11 - 10	90387-06065	6 - 22	90450-60004	9 - 3	91A20-05065	6 - 12	93332-00081	24 - 1
90110-05066	9 - 5	90201-06108	20 - 4	90387-06091	26 - 8	90464-13073	38 - 34	92012-06010	19 - 38	93340-21008	15 - 20
90110-06161	36 - 6	90201-08043	19 - 18	90387-06105	24 - 4	90464-13077	38 - 33	92017-05012	38 - 22	93342-22217	22 - 3
90110-06380	1 - 27	90201-08044	34 - 7	90387-06106	19 - 33	90464-15195	38 - 36	92902-10200	23 - 21	93410-20038	14 - 4
90110-06391	12 - 9	90201-08045	19 - 10	90387-06259	20 - 2	90464-17003	38 - 30	93101-14164	13 - 14	93410-22039	16 - 5
90110-06392	12 - 11	90201-08048	14 - 25	90387-06284	26 - 24	90464-18004	38 - 35	93102-08004	5 - 2		16 - 19
90110-08051	14 - 24		30 - 9	90387-06372	21 - 22	90464-31002	19 - 39	93102-08307	5 - 3	93410-26067	16 - 15
90111-06116	35 - 11	90201-08061	11 - 17		21 - 28		19 - 40	93102-10008	15 - 27	93440-07182	5 - 9
90111-06149	26 - 23	90201-080H1	15 - 21	90387-065T2	19 - 42	90465-08062	13 - 12	93102-18278	14 - 14		15 - 22
90116-06037	1 - 15	90201-08512	5 - 8	90387-066J9	38 - 18	90465-10098	38 - 32	93102-28012	16 - 27	93440-41178	4 - 3
90119-06096	21 - 7	90201-096J9	1 - 14	90387-066Y6	26 - 12	90465-12356	38 - 31	93102-30014	28 - 4	93450-17129	2 - 24
	21 - 17	90201-10025	19 - 27	90387-06M31	21 - 15	90467-090A2	6 - 13	93102-32337	30 - 4	93450-40N50	16 - 28
90119-06262	6 - 23	90201-10032	34 - 14	90387-07045	9 - 29	90467-140A4	1 - 20	93106-22002	22 - 4	93507-32009	14 - 21
90119-06268	20 - 10	90201-10035	24 - 14	90387-08032	5 - 7	90468-16001	34 - 4	93109-14010	18 - 16	93511-32027	15 - 23
90119-06M12	18 - 15	90201-10045	19 - 21	90387-08041	19 - 11	90480-01027	9 - 25	93109-21001	22 - 26	93603-12007	5 - 6
90119-08133	11 - 31	90201-127E1	36 - 4	90387-08057	21 - 2	90480-01558	9 - 34	93109-25001	22 - 20	93604-10011	5 - 12
90149-05031	36 - 5	90201-14020	22 - 30		21 - 10	90480-08608	30 - 18	93109-28043	22 - 5	93608-33002	18 - 13
90149-06074	12 - 21	90201-15701	13 - 15	90387-08081	11 - 18	90480-10068	21 - 24	93210-11073	34 - 3	93612-16254	1 - 12
90149-06083	2 - 14	90201-16018	22 - 17	90387-086N4	19 - 15		21 - 30	93210-12010	7 - 5		1 - 26
90149-10031	19 - 4	90201-167P7	14 - 7	90387-087L0	9 - 22	90480-10289	26 - 13	93210-14369	13 - 5	9383B-13218	16 - 30
90151-06024	4 - 13	90201-177G4	14 - 16	90387-11009	21 - 21	90480-11015	38 - 12	93210-16275	6 - 5	94108-21027	28 - 8
90151-06045	14 - 22		16 - 23		21 - 27	90480-11298	9 - 32	93210-16500	6 - 3	94110-19019	30 - 13
90151-06051	29 - 2	90201-20611	15 - 16	90387-14016	22 - 27	90480-12237	9 - 23	93210-16716	5 - 17	94209-21229	28 - 9
90151-08007	12 - 19	90201-20685	14 - 3	90387-14020	18 - 11		9 - 33	93210-17570	14 - 23	94210-19222	30 - 14
90159-06021	7 - 6	90201-21014	22 - 23	90387-16026	22 - 21	90480-13025	38 - 17	93210-19123	13 - 7	94316-19156	30 - 15
90159-06027	17 - 14	90201-22023	30 - 26	90387-17012	16 - 22	90480-13029	38 - 10	93210-196A4	16 - 25	94330-21084	28 - 10
90159-06029	15 - 12	90201-286K9	24 - 8	90387-17015	12 - 8	90480-15012	6 - 21	93210-21001	38 - 5	94416-21034	28 - 5
90170-10405	2 - 19	90201-29M00	16 - 29	90387-17016	22 - 6	90480-18549	26 - 9	93210-357A3	13 - 3	94416-21045	28 - 5
90170-14171	2 - 16	90208-10001	2 - 18	90387-1714S	22 - 7	90501-052G5	18 - 6	93210-45708	8 - 3	94418-19026	30 - 11
90170-16003	15 - 4	90208-14033	2 - 15	90387-175R2	2 - 11	90501-06022	17 - 3	93300-60801	5 - 4	94418-19036	30 - 11
90170-16326	15 - 18	90208-16019	15 - 3	90387-19008	15 - 2	90501-064L1	17 - 11	93300-60839	19 - 14	94591-57114	4 - 9
90179-08019	30 - 23	90209-16011	22 - 22	90387-20006	16 - 8	90501-147A5	14 - 20	93306-00426	16 - 1	94681-68001	30 - 28
90179-10658	19 - 20	90209-20008	16 - 4	90387-22033	16 - 26	90501-160A2	14 - 6	93306-20336	16 - 10	94682-28001	30 - 28
	19 - 26		16 - 18	90387-225N2	32 - 13	90501-230A6	15 - 11	93306-20351	2 - 10	94701-00434	1 - 10
90179-12657	36 - 3	90209-23012	16 - 14	90401-10172	33 - 3	90506-20031	34 - 5		16 - 24	95022-06010	1 - 7
90179-18001	16 - 32	90215-16289	15 - 17		35 - 13	90508-26080	17 - 13	93306-20648	2 - 7		5 - 14
90179-18011	28 - 15	90215-20003	16 - 31	90430-06014	1 - 8	90508-28015	34 - 11	93306-27209	16 - 11	95022-06012	6 - 2
90179-24004	24 - 10	90240-08120	34 - 6		5 - 15	90508-28018	34 - 12	93306-80502	17 - 5	95022-06016	8 - 4
90179-28015	24 - 7	90240-10004	34 - 13	90430-06156	7 - 3	90508-29023	18 - 12	93306-90409	17 - 4		19 - 43
90183-061A0	9 - 16	90267-40014	9 - 35	90430-10004	38 - 3	90508-30743	14 - 10	93306-90510	30 - 3		38 - 13
	9 - 19	90267-41004	9 - 35	90430-10005	33 - 2	91312-05008	19 - 36	93306-97203	28 - 2	95022-06020	6 - 6
90185-08008	30 - 8	90267-48121	11 - 21		35 - 14	91312-06020	9 - 2	93310-225N0	15 - 14		26 - 14

NUMERICAL INDEX

PART NO.	REF. NO.	PART NO.	REF. NO.	PART NO.	REF. NO.	PART NO.	REF. NO.	PART NO.	REF. NO.
95022-06020	37 - 10								
95022-06025	5 - 13								
	13 - 23								
95022-06030	13 - 11								
95022-06060	13 - 24								
95022-08040	19 - 12								
95022-10016	12 - 6								
95024-08040	11 - 13								
	11 - 30								
95302-05600	37 - 6								
95602-10200	23 - 20								
	24 - 15								
95612-08620	1 - 9								
95701-06500	33 - 14								
95702-06500	1 - 16								
	22 - 13								
95702-08500	11 - 6								
97702-40012	21 - 5								
97702-50520	9 - 15								
97702-60016	20 - 12								
98502-05010	35 - 16								
	35 - 18								
98502-05014	9 - 10								
	9 - 21								
98507-05020	32 - 8								
98706-04012	33 - 8								
98707-06025	26 - 22								
98980-06008	11 - 4								
	11 - 11								
99009-16400	14 - 8								
99009-17400	14 - 17								
99009-18500	15 - 28								
99009-22500	13 - 16								
99009-42700	30 - 5								
99530-08016	13 - 10								
99530-12016	13 - 18								
99530-14016	12 - 3								
9Y581-92113	30 - 27								
9Y582-28113	30 - 27								