



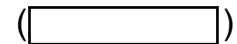
# PARTS CATALOGUE

## YZ85LW ( B0G1 ) EUROPE

---



1UB0G-300E1



YZ85LW  
PARTS CATALOGUE  
©2018 by Yamaha Motor Co., Ltd.  
1st edition, April 2018  
All rights reserved.  
Any reprinting or unauthorized use  
without the written permission of  
Yamaha Motor Co., Ltd.  
is expressly prohibited.  
Printed in Japan.

# FOREWORD

This Parts Catalogue is related to the parts for the model(s) on the cover page. When you are ordering replacement parts, please refer to this Parts Catalogue and quote both part numbers and part names correctly.

1. Modifications or additions which have been made after the issue of the Parts Catalogue will be announced in the Parts News.  
It is advisable that you make the necessary corrections to the Parts Catalogue according to the Parts News.

2. Abbreviations

The following abbreviations are used in this Parts Catalogue.

“UR” Use specified parts number.

“UN” Use as many as needed.

“AP” Alternate Parts

“LM” Locally Made (Parts need to be ordered locally)

“F#” Frame No. (Applicable machine No.)

“O/S” Over Size

3. The number of components for assembly

- Parts, which are to be supplied in an assembly, are listed with a dot (.) in front of the part name as shown below.
- The numeral appearing to the right of each component part indicates the quantity of parts for each assembly unit.

PART NO.	DESCRIPTION	Q'TY	REMARKS
2F5-83310-60	FRONT FLASHER LIGHT ASSY	2	
115-83311-60	.BULB (6V-18W)	1	

4. Applicable colours of graphics are represented in the “REMARKS” as shown below.

PART NO.	DESCRIPTION	Q'TY	REMARKS
2N4-24110-00-X5	FUEL TANK COMP.	2	MXR
3J1-24240-10	.GRAPHIC, FUEL TANK	1	FOR MXR

5. Note that the illustrations for reference in finding parts numbers are not to be used for assembling. When assembling, please use the applicable service manual.

6. The asterisk (\*) before a reference number indicates modified items after the first edition.



# CONTENTS

## ENGINE

CYLINDER.....	1
GOVERNOR.....	3
CRANKSHAFT & PISTON.....	4
WATER PUMP.....	5
RADIATOR & HOSE.....	6
INTAKE.....	7
CARBURETOR.....	8
EXHAUST.....	10
CRANKCASE.....	11
CRANKCASE COVER.....	12
STARTER.....	13
CLUTCH.....	14
TRANSMISSION.....	15
SHIFT CAM & FORK.....	17
SHIFT SHAFT.....	18

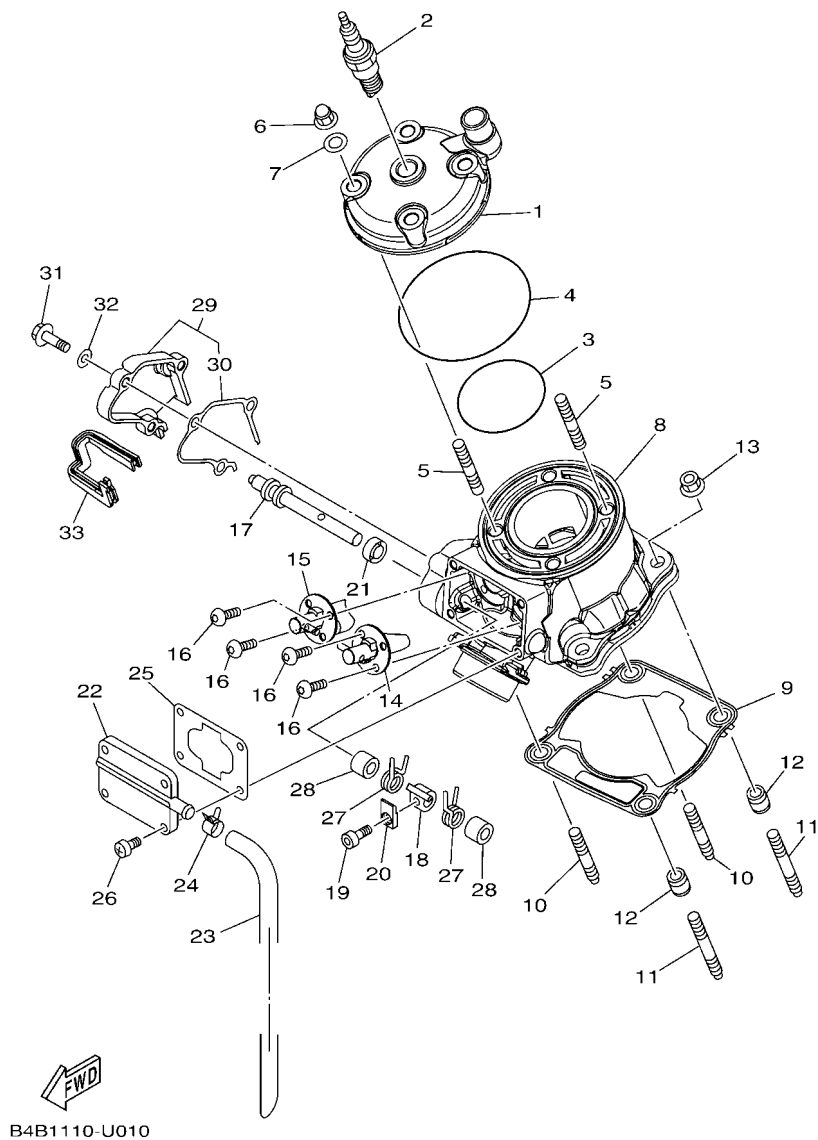
## CHASSIS

FRAME.....	19
FENDER.....	20
SIDE COVER.....	21
REAR ARM.....	22
REAR ARM & SUSPENSION.....	24
STEERING.....	25
FRONT FORK.....	26
FUEL TANK.....	28
SEAT.....	29
FRONT WHEEL.....	30
FRONT BRAKE CALIPER.....	31
REAR WHEEL.....	32
REAR BRAKE CALIPER.....	33
STEERING HANDLE & CABLE.....	34
FRONT MASTER CYLINDER.....	35
STAND & FOOTREST.....	36
REAR MASTER CYLINDER.....	37
GENERATOR.....	38
HANDLE SWITCH & LEVER.....	39
ELECTRICAL 1.....	40
ALTERNATE FOR CHASSIS.....	41
OPTIONAL PARTS 1.....	42

## INDEX

NUMERICAL INDEX.....	43
----------------------	----

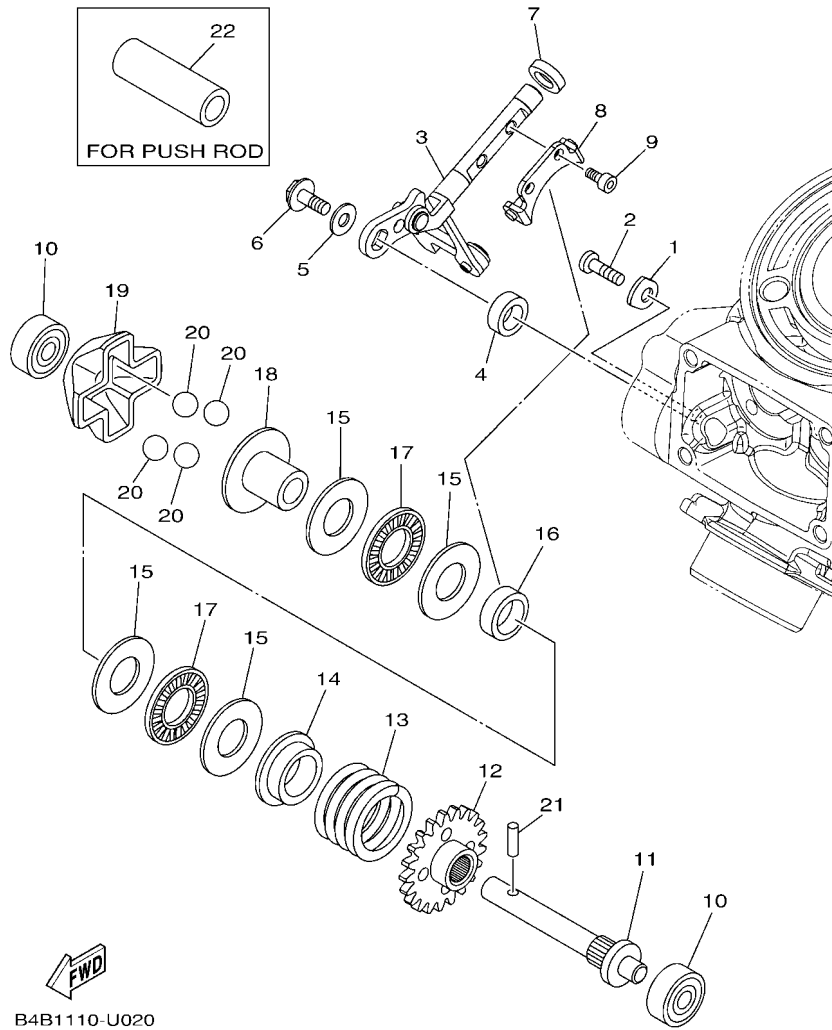
**FIG. 1 CYLINDER**



B4B1110-U010

REF. NO.	PART NO.	DESCRIPTION	BOG1				REMARKS
1	B4B-11111-00	HEAD, CYLINDER 1	1				
2	94702-00368	PLUG, SPARK (NGK BR10EG)	1				
3	93210-56459	O-RING	1				
4	93210-84724	O-RING	1				
5	90116-08027	BOLT, STUD	4				
6	90176-08005	NUT, CROWN	4				
7	90201-080L8	WASHER, PLATE	4				
8	B4B-11311-00	CYLINDER 1	1				
9	B4B-11351-00	GASKET, CYLINDER	1				
10	90116-08031	BOLT, STUD	2				
11	90116-08028	BOLT, STUD	2				
12	99590-10114	PIN, DOWEL	2				
13	90179-08019	NUT	4				
14	B4B-1131D-00	VALVE ASSY	1				
15	B4B-1132D-00	VALVE ASSY 2	1				
16	90149-05001	SCREW	4				
17	5HD-1131V-00	SHAFT 1	1				
18	4SS-11832-00	LEVER, LINK	1				
19	91312-04010	BOLT, HEXAGON SOCKET HEAD	1				
20	5UN-11395-00	HOLDER	1				
21	93104-08040	OIL SEAL	1				
22	4SS-1131M-01	COVER	1				
23	4JY-11166-00	PIPE, BREATHER 1	1				
24	90467-13062	CLIP	1				
25	1C3-11354-00	GASKET	1				
26	98902-05016	SCREW, BIND	4				
27	90508-16134	SPRING, TORSION	2				



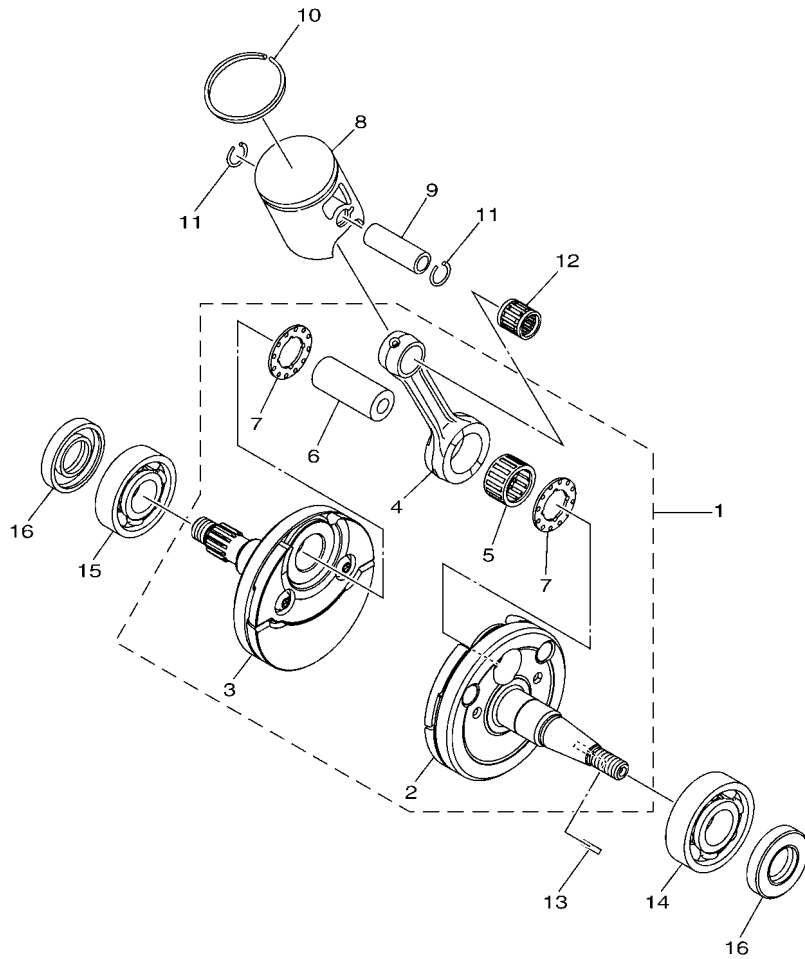


B4B1110-U020

FIG. 2 GOVERNOR

REF. NO.	PART NO.	DESCRIPTION	BOG1				REMARKS
1	4JY-11915-10	PLATE, THRUST 1	1				
2	98502-05012	SCREW, PAN HEAD	1				
3	B4B-11990-00	PUSH ROD ASSY	1				
4	90387-085E1	COLLAR	1				
5	90201-05021	WASHER, PLATE	1				
6	90105-05014	BOLT, FLANGE	1				
7	93104-08040	OIL SEAL	1				
8	3JE-11922-01	FORK, GOVERNOR	1				
9	91312-04008	BOLT, HEXAGON SOCKET HEAD	2				
10	93300-60801	BEARING	2				
11	5X4-11921-02	SHAFT, GOVERNOR	1				
12	BR8-11953-00	GEAR, GOVERNOR	1				
13	90501-260A2	SPRING, COMPRESSION	1				
14	5CU-11952-00	PLATE	1				
15	90201-150U6	WASHER, PLATE	4				
16	90387-152F2	COLLAR	1				
17	93340-21505	BEARING	2				
18	5CU-11912-00	RETAINER, WEIGHT	1				
19	5CU-11911-00	RETAINER	1				
20	93507-16020	BALL	4				
21	93603-14240	PIN, DOWEL	1				
22	90387-107T9	COLLAR	1				AP

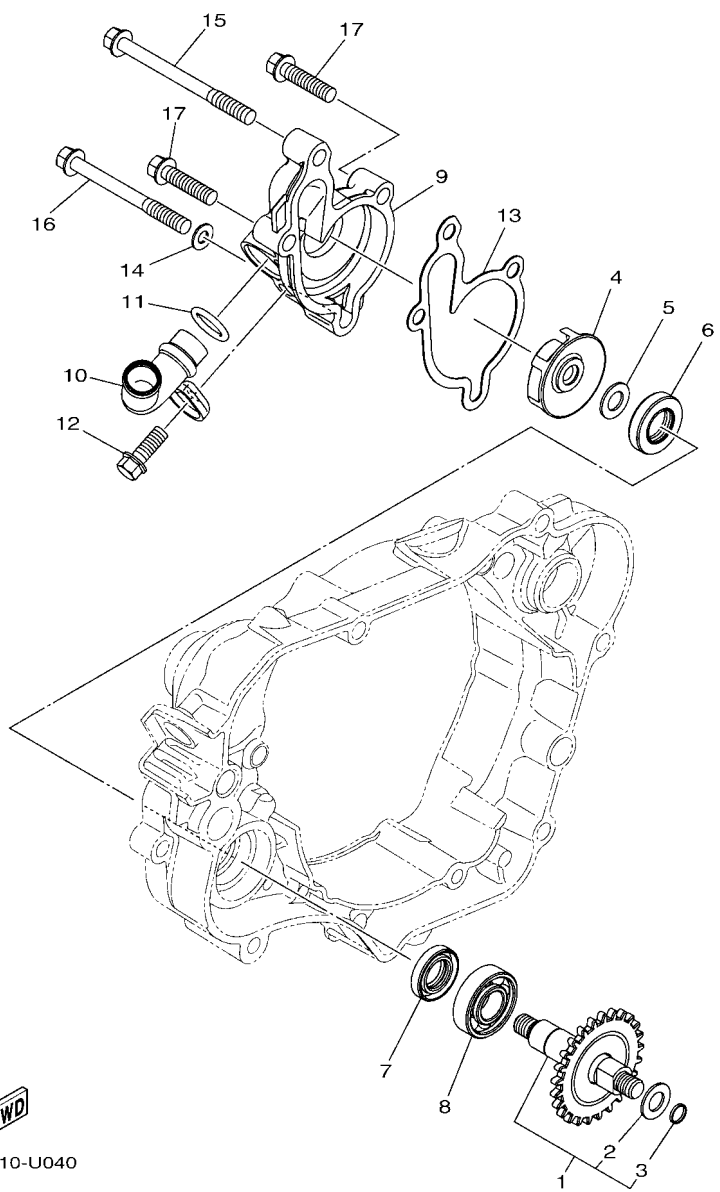




  
 B4B1110-U030

**FIG. 3 CRANKSHAFT & PISTON**

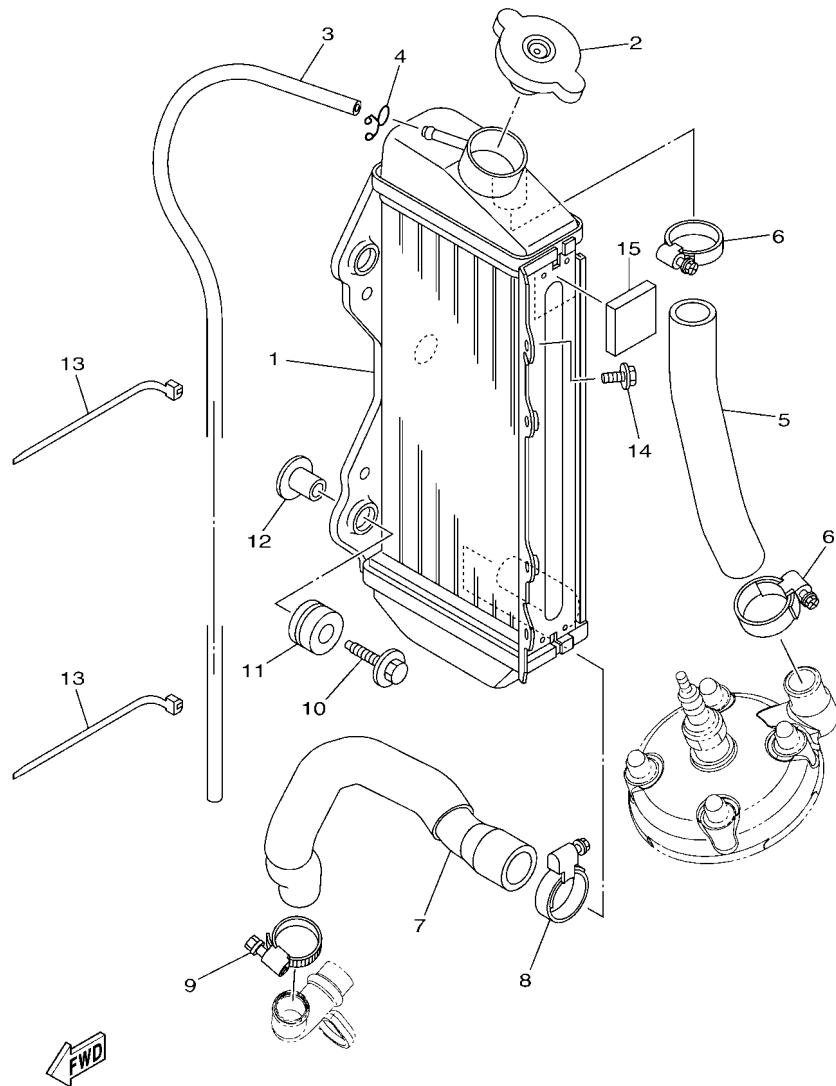
REF. NO.	PART NO.	DESCRIPTION	BOG1				REMARKS
1	B4B-11400-00	CRANKSHAFT ASSY	1				
2	B4B-11410-00	.CRANKSHAFT	1				
3	B4B-11420-00	.CRANKSHAFT	1				
4	B4B-11651-00	.ROD, CONNECTING	1				
5	93310-420B1	.BEARING	1				
6	2RA-11681-00	.PIN, CRANK 1	1				
7	90209-20159	.WASHER	2				
8	5PA-11631-10-A0	PISTON (STD)	1				UR RED
	5PA-11631-10-B0	PISTON (STD)	1				UR ORANGE
	5PA-11631-10-C0	PISTON (STD)	1				UR GREEN
	5PA-11631-10-D0	PISTON (STD)	1				UR PURPLE
9	4ES-11633-00	PIN, PISTON	1				
10	5PA-11611-00	RING, PISTON	1				
11	93450-16115	CIRCLIP	2				
12	93310-21417	BEARING	1				
13	90280-03045	KEY, WOODRUFF	1				
14	93306-20438	BEARING	1				
15	93306-30421	BEARING	1				
16	93102-20485	OIL SEAL	2				



B4B1110-U040

**FIG. 4 WATER PUMP**

REF. NO.	PART NO.	DESCRIPTION	BOG1				REMARKS
1	5PA-12459-00	GEAR, IMPELLER SHAFT	1				
2	90201-08512	.WASHER, PLATE	1				
3	93440-07182	.CIRCLIP	1				
4	5PA-12451-00	IMPELLER, WATER PUMP	1				
5	90201-08512	WASHER, PLATE	1				
6	93109-11073	OIL SEAL	1				
7	93102-12106	OIL SEAL (SD 12-22-5 HS)	1				
8	93306-00105	BEARING	1				
9	BR8-12422-00	COVER, HOUSING	1				
10	B4B-12481-00	PIPE 1	1				
11	93210-132A7	O-RING	1				
12	95E32-06016	BOLT, FLANGE DEEP RECESS	1				
13	BR8-12428-00	GASKET, HOUSING COVER 2	1				
14	90430-06166	GASKET	1				
15	95E32-06070	BOLT, FLANGE DEEP RECESS	1				
16	95E32-06060	BOLT, FLANGE DEEP RECESS	1				
17	95E32-06025	BOLT, FLANGE DEEP RECESS	2				

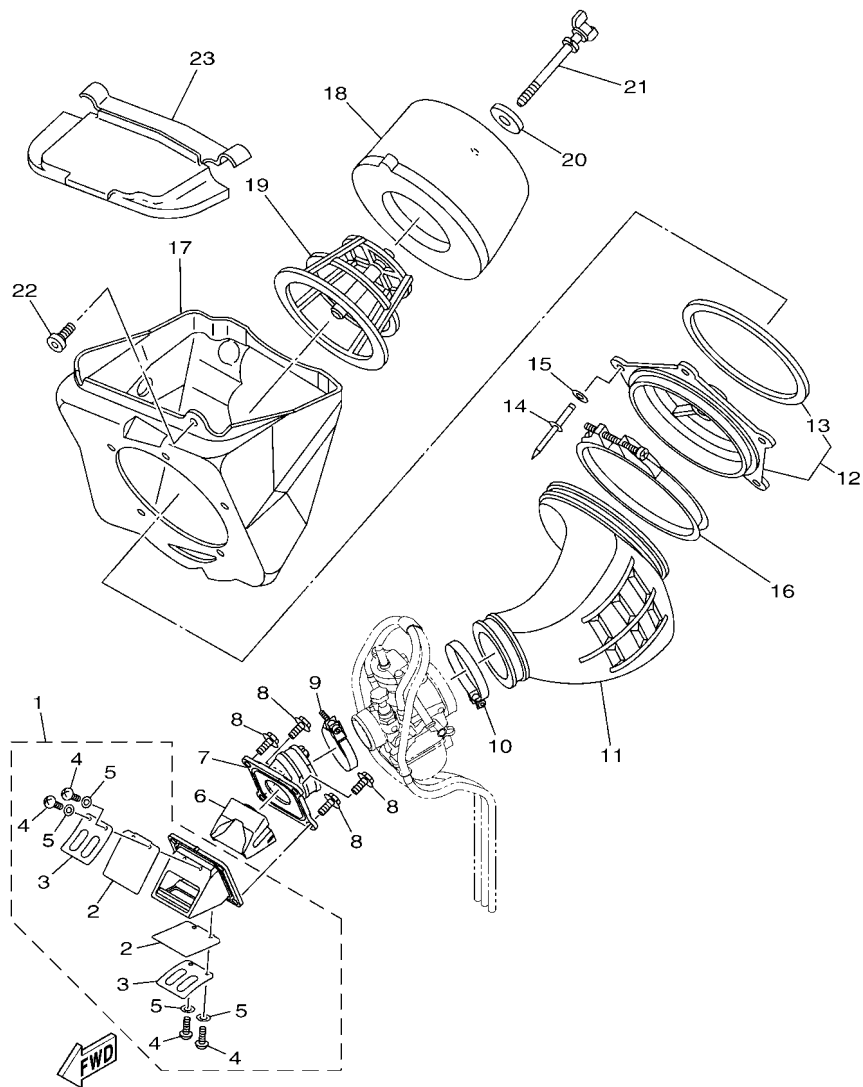


B4B1110-U050

**FIG. 5 RADIATOR & HOSE**

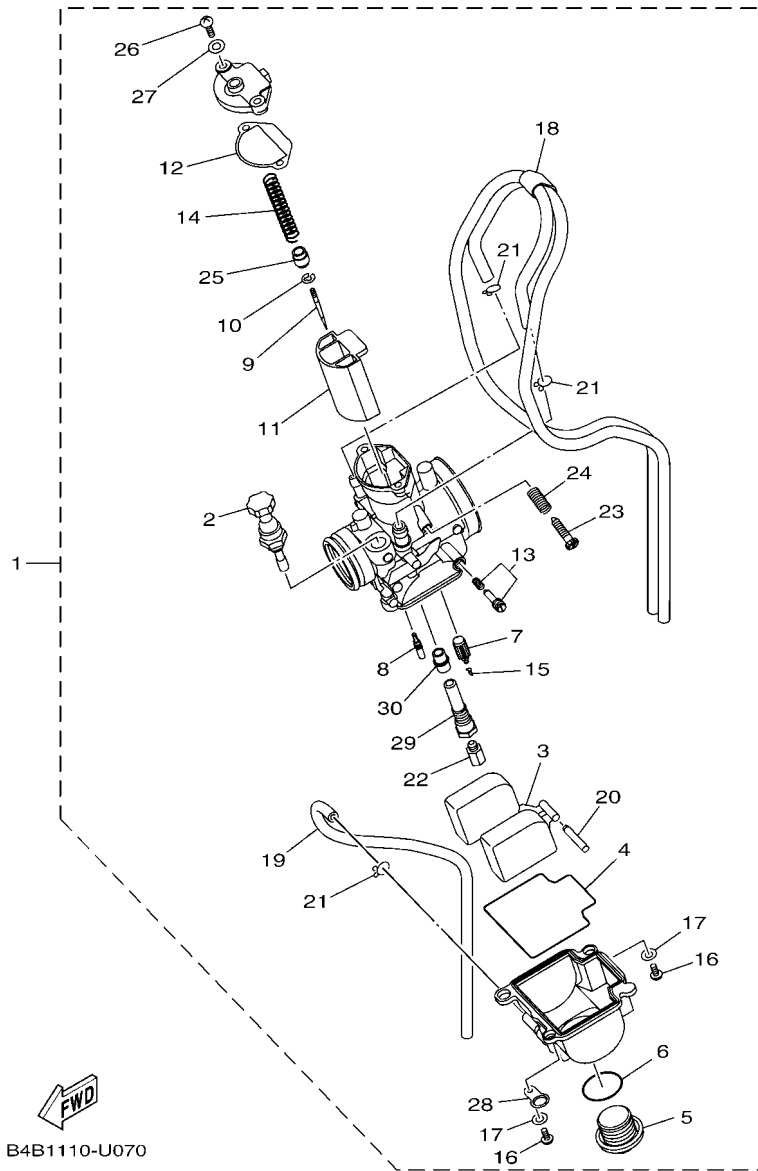
REF. NO.	PART NO.	DESCRIPTION	BOG1				REMARKS
1	5PA-12461-00	RADIATOR COMP	1				
2	22W-12462-00	CAP, RADIATOR	1				
3	22W-12463-00	PIPE, BREATHER	1				
4	90467-08002	CLIP	1				
5	4ES-12481-10	PIPE 1	1				
6	90450-25001	HOSE CLAMP ASSY	2				
7	B4B-12577-00	HOSE 2	1				
8	90450-28001	HOSE CLAMP ASSY	1				
9	90450-25001	HOSE CLAMP ASSY	1				
10	90119-06262	BOLT, WITH WASHER	3				
11	90480-15528	GROMMET	3				
12	90387-06065	COLLAR	3				
13	90464-25004	CLAMP	2				(101.0x7.0)
14	90119-06239	BOLT, WITH WASHER	1				
15	14B-28227-00	DAMPER 2	1				

**FIG. 6 INTAKE**



B4B1110-U060

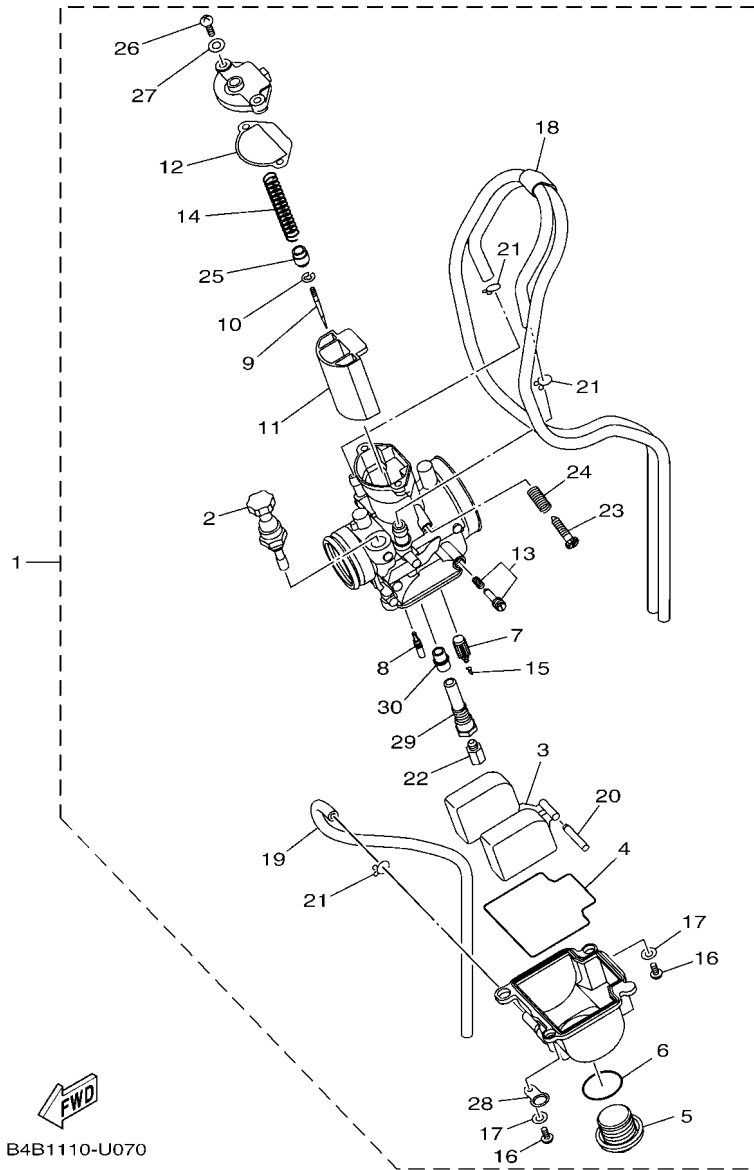
REF. NO.	PART NO.	DESCRIPTION	BOG1				REMARKS
1	BR8-13610-00	REED VALVE ASSY	1				
2	BR8-13613-00	.REED, VALVE	2				
3	4ES-13616-00	.STOPPER, REED VALVE	2				
4	98502-03006	.SCREW, PAN HEAD	4				
5	92902-03100	.WASHER	4				
6	BR8-13625-00	SPACER, REED VALVE	1				
7	BR8-13565-00	JOINT, CARBURETOR	1				
8	95E32-06016	BOLT, FLANGE DEEP RECESS	4				
9	90450-43002	HOSE CLAMP ASSY	1				
10	90450-56004	HOSE CLAMP ASSY	1				
11	5PA-14453-00	JOINT, AIR CLEANER 1	1				
12	5PA-14459-00	HOLDER, GUIDE	1				
13	4ES-14462-00	.SEAL	1				
14	90267-48138	RIVET, BLIND	5				
15	90201-043H7	WASHER, PLATE	5				
16	90450-99064	HOSE CLAMP ASSY	1				
17	5PA-14411-10	CASE, AIR CLEANER 1	1				
18	5PA-14451-00	ELEMENT, AIR CLEANER	1				
19	5PA-14458-00	GUIDE	1				
20	90209-06096	WASHER	1				
21	90122-06010	BOLT, WING	1				
22	90109-065F3	BOLT	1				
23	5PA-14417-00	COVER 1	1				AP



B4B1110-U070

**FIG. 7 CARBURETOR**

REF. NO.	PART NO.	DESCRIPTION	BOG1				REMARKS
1	5PA-14101-30	CARBURETOR ASSY 1	1				
2	4JT-14171-00	.PLUNGER, STARTER	1				
3	5PA-14985-00	.FLOAT	1				
4	5PA-14984-00	.GASKET, FLOAT CHAMBER	1				
5	4MX-14115-00	.PLUG, SCREW	1				
6	4MX-14561-00	.O-RING	1				
7	5PA-14392-00	.VALVE, NEEDLE	1				
8	4MX-14948-05	.JET, SLOW (#45)	1				STD
	4MX-14948-06	.JET, SLOW (#48)	1				AP
9	5PA-14916-PG	.NEEDLE (NAPG)	1				STD
	5PA-14916-PF	.NEEDLE (NAPF)	1				AP
	5PA-14916-PH	.NEEDLE (NAPH)	1				AP
	5PA-14916-HF	.NEEDLE (NWHF)	1				AP
	5PA-14916-HG	.NEEDLE (NWHG)	1				AP
	5PA-14916-HH	.NEEDLE (NWHH)	1				AP
10	4MX-14919-00	.CLIP	1				
11	5PA-14340-00	.VALVE ASSY	1				
12	5PA-14126-00	.GASKET	1				
13	5PA-14105-00	.PILOT SCREW SET	1				
14	5PA-14131-00	.SPRING, THROTTLE VALVE	1				
15	5PA-14159-00	.CLIP	1				
16	98504-04014	.SCREW, PAN HEAD	2				
17	92903-04600	.WASHER	2				
18	5PA-1410E-00	.HOSE	1				
19	4XL-14197-10	.PIPE	1				
20	676-14548-00	.PIN, FLOAT ARM	1				
21	3TJ-14137-40	.CLIP	3				

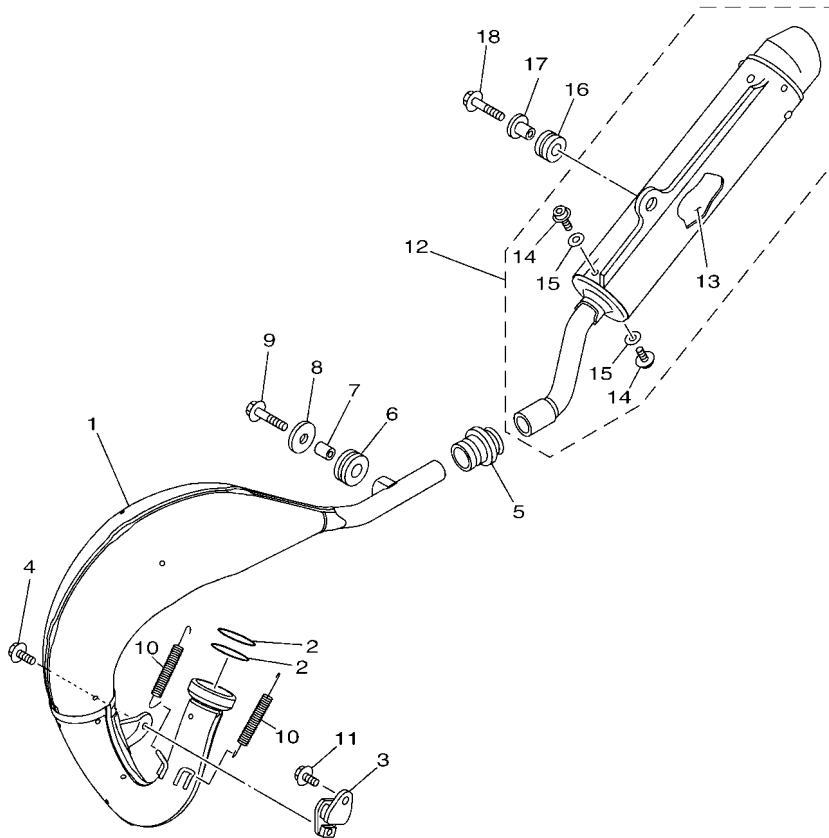


B4B1110-U070

FIG. 7 CARBURETOR

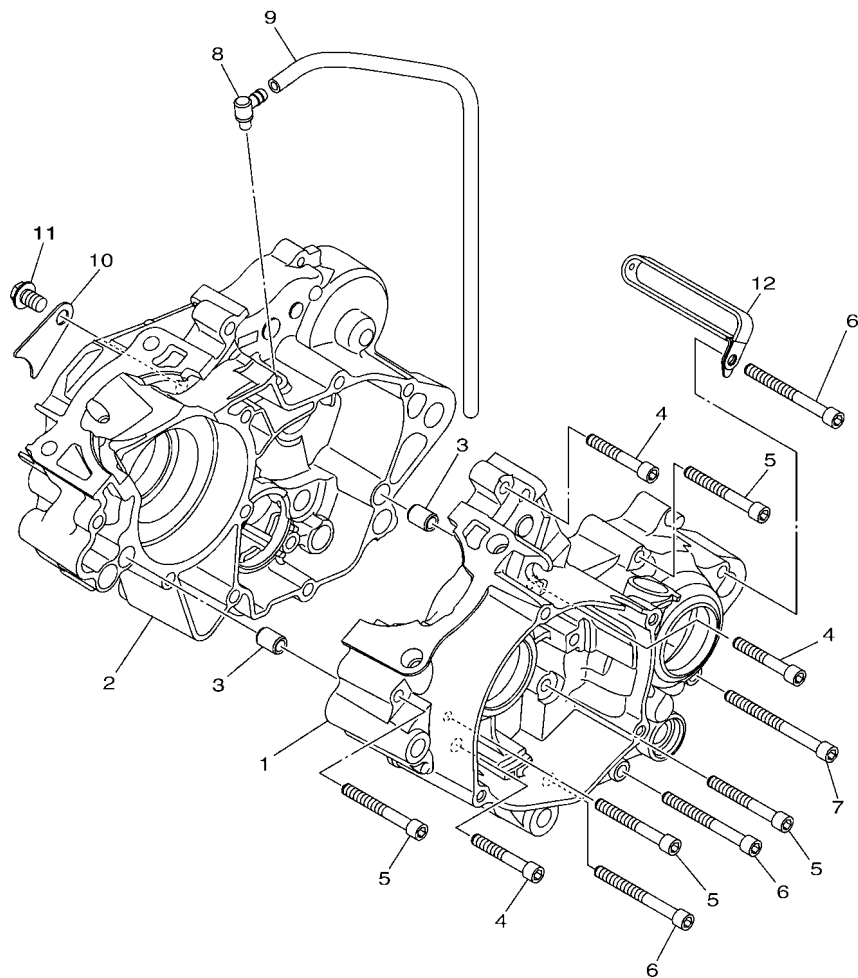
REF. NO.	PART NO.	DESCRIPTION	BOG1				REMARKS
22	4MX-14943-36	.JET, MAIN (#145)	1				STD
	4MX-14943-86	.JET, MAIN (#142)	1				AP
	4MX-14943-87	.JET, MAIN (#148)	1				AP
	4MX-14943-37	.JET, MAIN (#150)	1				AP
23	5HC-14922-00	.SCREW, THROTTLE	1				
24	5HC-14934-00	.SPRING, THROTTLE STOP	1				
25	5PA-14194-00	.RING	1				
26	98504-04012	.SCREW, PAN HEAD	2				
27	92903-04600	.WASHER	2				
28	5PA-14146-00	.PLATE	1				
29	5PA-1496A-00	.HOLDER, NEEDLE JET	1				
30	5PA-14947-00	.JET, NEEDLE	1				

**FIG. 8 EXHAUST**



B4B1110-U080

REF. NO.	PART NO.	DESCRIPTION	BOG1				REMARKS
1	B4B-14610-00	EXHAUST PIPE ASSY 1	1				
2	93210-40745	O-RING	2				
3	565-14771-00	STAY, MUFFLER 1	1				
4	90119-06133	BOLT, WITH WASHER	1				
5	17W-14615-00	JOINT, EXHAUST 1	1				
6	90480-18411	GROMMET	1				
7	90387-105L0	COLLAR	1				
8	90201-06086	WASHER, PLATE	1				
9	95E32-06025	BOLT, FLANGE DEEP RECESS	1				
10	90506-20018	SPRING, TENSION	2				
11	90119-06133	BOLT, WITH WASHER	1				
12	4ES-14753-30	SILENCER, EXHAUST	1				
13	4ES-1469A-00	.FIBER	1				
14	90109-060E9	.BOLT	2				
15	90201-06045	.WASHER, PLATE	2				
16	90480-16561	GROMMET	1				
17	90387-06168	COLLAR	1				
18	95E32-06025	BOLT, FLANGE DEEP RECESS	1				



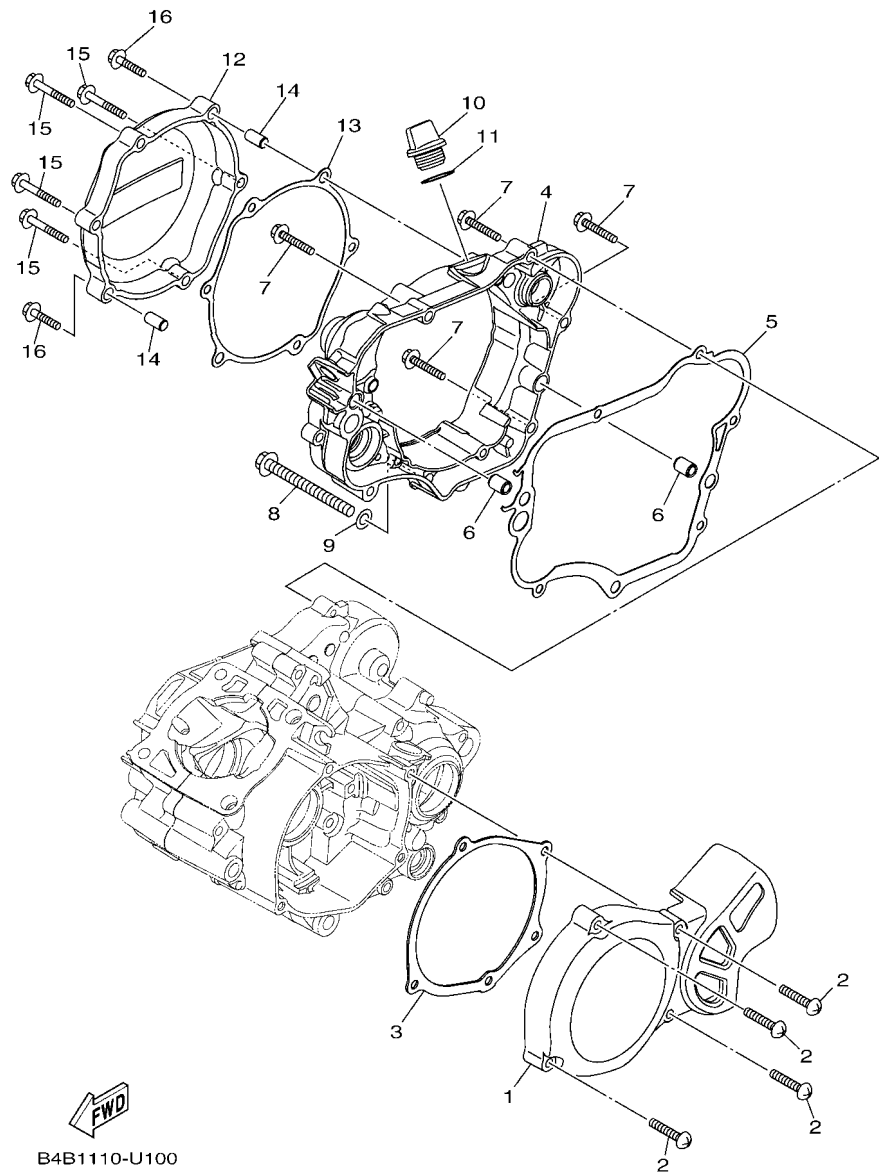
B4B1110-U090

FIG. 9 CRANKCASE

REF. NO.	PART NO.	DESCRIPTION	BOG1				REMARKS
1	B4B-15111-00	CRANKCASE 1	1				
2	B4B-15121-00	CRANKCASE 2	1				
3	99530-10014	PIN, DOWEL	2				
4	91342-06040	BOLT	3				
5	91342-06050	BOLT	4				
6	91342-06060	BOLT	3				
7	91342-06070	BOLT	1				
8	353-13115-01	CONNECTOR, SUCTION PIPE	1				
9	90445-08376	HOSE (L330)	1				
10	5PA-15118-00	HOLDER	1				
11	90105-08126	BOLT, FLANGE	1				
12	90461-10136	CLAMP	1				

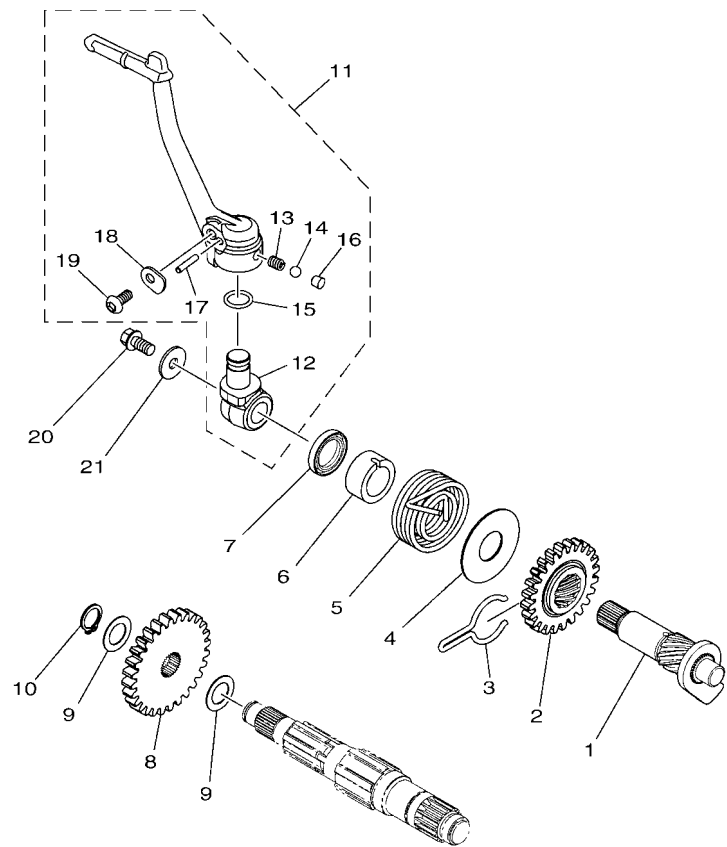


**FIG. 10 CRANKCASE COVER**



B4B1110-U100

REF. NO.	PART NO.	DESCRIPTION	BOG1				REMARKS
1	4ES-15411-02	COVER, CRANKCASE 1	1				
2	98502-06030	SCREW, PAN HEAD	4				
3	5PA-15451-00	GASKET, CRANKCASE COVER 1	1				
4	BR8-15431-00	COVER, CRANKCASE 3	1				
5	BR8-15461-00	GASKET, CRANKCASE COVER 2	1				
6	99530-10014	PIN, DOWEL	2				
7	95E32-06030	BOLT, FLANGE DEEP RECESS	4				
8	95E32-08080	BOLT, FLANGE DEEP RECESS	1				
9	90430-08119	GASKET	1				
10	3Y1-15363-10	PLUG, OIL	1				
11	93210-19123	O-RING	1				
12	5PA-15415-11	COVER, 1	1				
13	5PA-15463-00	GASKET, 2	1				
14	99530-08016	PIN, DOWEL	2				
15	95E32-06025	BOLT, FLANGE DEEP RECESS	4				
16	95E32-06035	BOLT, FLANGE DEEP RECESS	2				

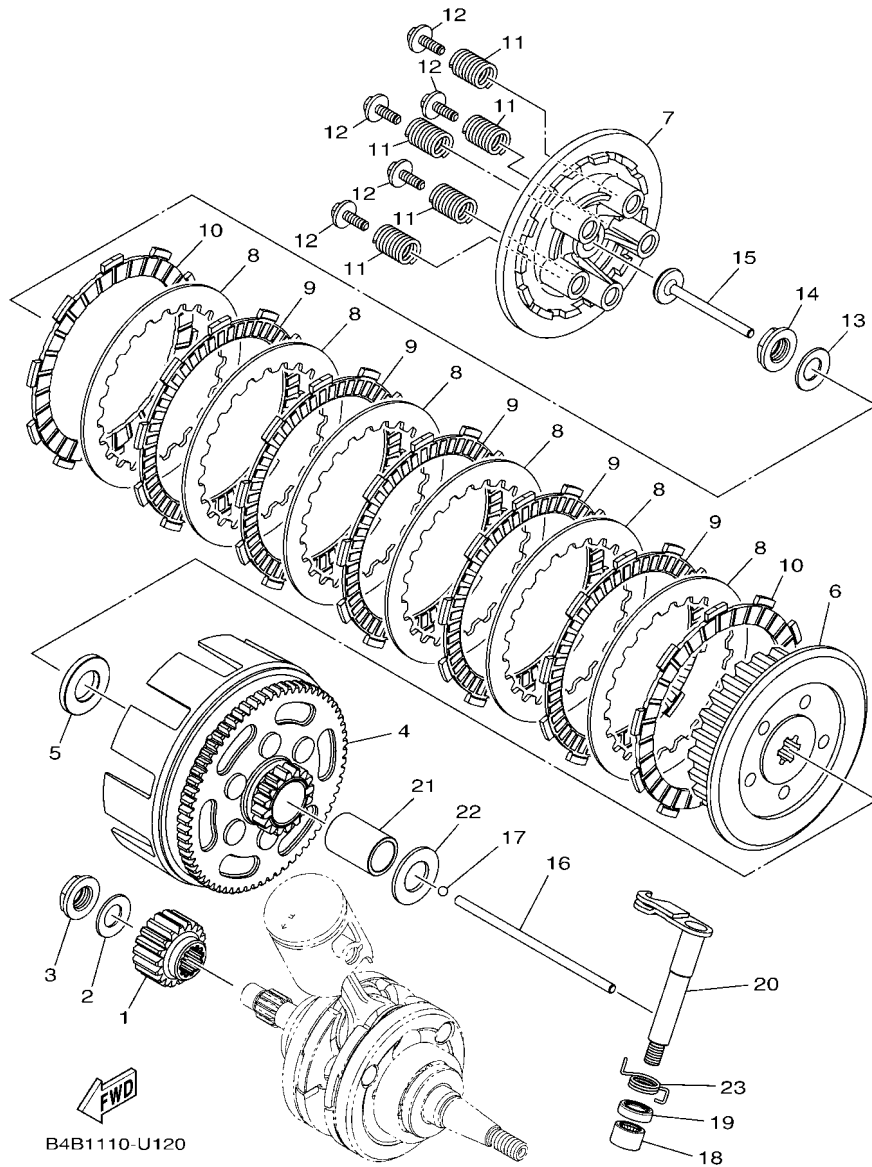


**FIG. 11 STARTER**

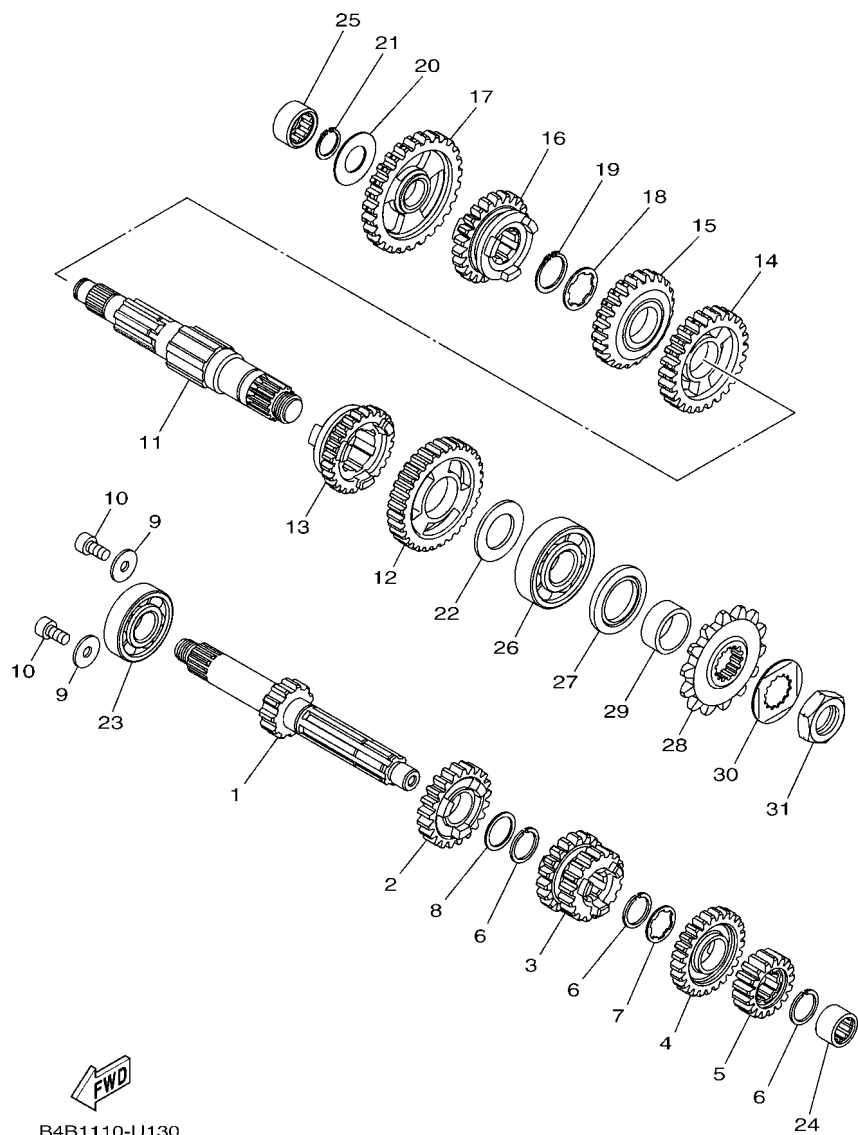
REF. NO.	PART NO.	DESCRIPTION	BOG1				REMARKS
1	5PA-15660-00	KICK AXLE ASSY	1				
2	5PA-15641-00	GEAR, KICK	1				
3	90468-23194	CLIP	1				
4	90201-176L4	WASHER, PLATE	1				
5	90508-26750	SPRING, TORSION	1				
6	4ES-15664-00	GUIDE, SPRING	1				
7	93102-17263	OIL SEAL	1				
8	5PA-15651-00	GEAR, KICK IDLE	1				
9	90201-124F8	WASHER, PLATE	2				
10	99009-12400	CIRCLIP	1				
11	BR8-15620-00	KICK CRANK ASSY	1				
12	BR8-15621-00	.BOSS, KICK CRANK	1				
13	90501-12081	.SPRING, COMPRESSION	1				
14	93507-32009	.BALL	1				
15	93210-12152	.O-RING	1				
16	90336-06031	.PLUG, TAPER	1				
17	93603-16219	.PIN, DOWEL	1				
18	4JY-11915-10	.PLATE, THRUST 1	1				
19	90111-05052	.BOLT, HEX. SOCKET BUTTON	1				
20	95E32-06012	BOLT, FLANGE DEEP RECESS	1				
21	90201-06060	WASHER, PLATE	1				

 B4B1110-U110

**FIG. 12 CLUTCH**



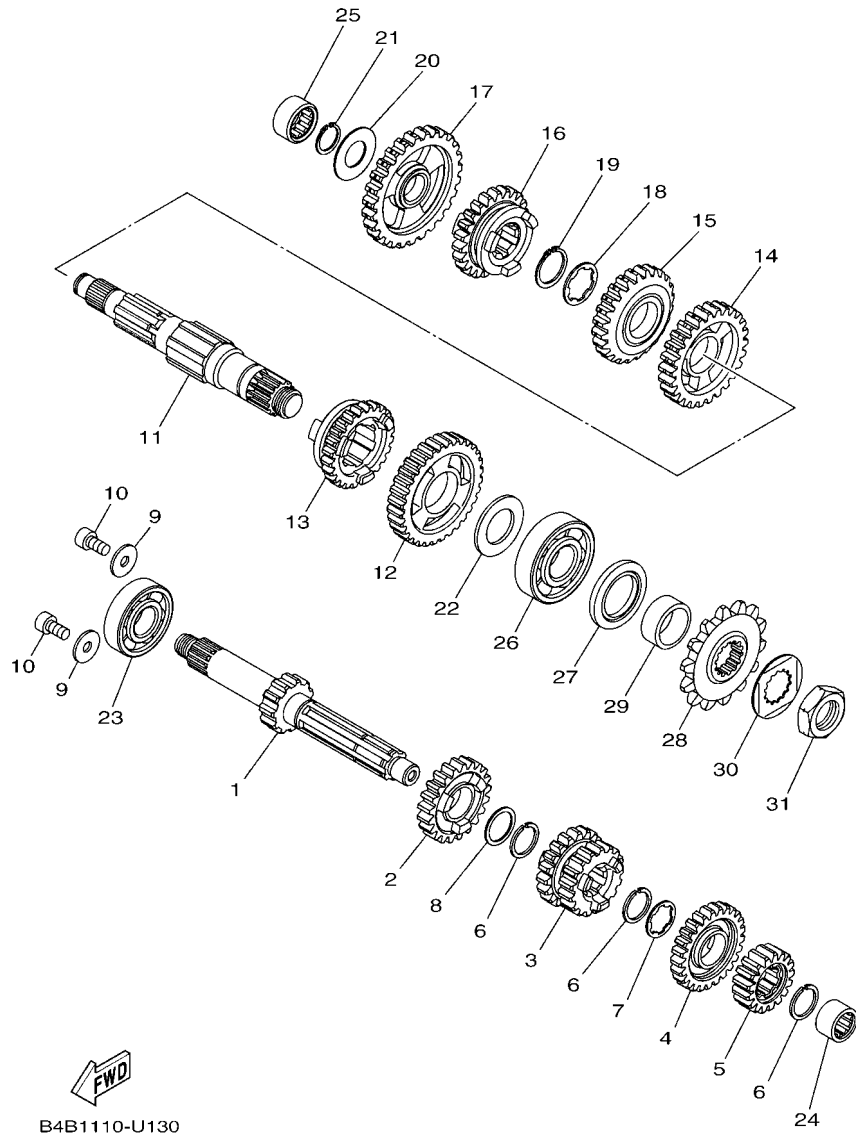
REF. NO.	PART NO.	DESCRIPTION	BOG1				REMARKS
1	BR8-16111-00	GEAR, PRIMARY DRIVE	1				
2	90208-12015	WASHER, CONICAL SPRING	1				
3	90179-12007	NUT	1				
4	5PA-16150-10	PRIMARY DRIVEN GEAR COMP.	1				
5	90201-17558	WASHER, PLATE	1				
6	5PA-16371-10	BOSS, CLUTCH	1				
7	2TK-16351-00	PLATE, PRESSURE 1	1				
8	131-16324-00	PLATE, CLUTCH 1	6				
9	4ES-16321-00	PLATE, FRICTION	5				
10	21V-16321-00	PLATE, FRICTION	2				
11	90501-204A0	SPRING, COMPRESSION	5				
12	90119-05001	BOLT, WITH WASHER	5				
13	90208-12015	WASHER, CONICAL SPRING	1				
14	90179-12007	NUT	1				
15	4ES-16356-00	ROD, PUSH 1	1				
16	5PA-16357-00	ROD, PUSH 2	1				
17	93503-16003	BALL	1				
18	93315-11206	BEARING	1				
19	93102-12224	OIL SEAL	1				
20	4ES-16381-00	PUSH LEVER COMP.	1				
21	5PA-16181-00	SPACER 1	1				
22	90201-171G6	WASHER, PLATE	1				
23	90508-14016	SPRING, TORSION	1				



B4B1110-U130

FIG. 13 TRANSMISSION

REF. NO.	PART NO.	DESCRIPTION	BOG1				REMARKS
1	5PA-17411-00	AXLE, MAIN (11T)	1				
2	4ES-17151-10	GEAR, 5TH PINION (23T)	1				
3	4ES-17131-10	GEAR, 3RD PINION (17T/17T)	1				
4	4ES-17161-10	GEAR, 6TH PINION (25T)	1				
5	4ES-17121-01	GEAR, 2ND PINION (17T)	1				
6	93440-17064	CIRCLIP	3				
7	90209-14008	WASHER	1				
8	90201-17545	WASHER, PLATE	1				
9	90201-06060	WASHER, PLATE	2				
10	90110-06182	BOLT, HEXAGON SOCKET HEAD	2				
11	BR8-17421-00	AXLE, DRIVE	1				
12	1SN-17221-00	GEAR, 2ND WHEEL (32T)	1				
13	5PA-17261-01	GEAR, 6TH WHEEL (25T)	1				
14	4ES-17231-20	GEAR, 3RD WHEEL (26T)	1				
15	5PA-17241-10	GEAR, 4TH WHEEL (22T)	1				
16	B4B-17251-00	GEAR, 5TH WHEEL (26T)	1				
17	BR8-17211-00	GEAR, 1ST WHEEL (27T)	1				
18	90209-16209	WASHER	1				
19	93410-20038	CIRCLIP	1				
20	164-17427-00-06	SHIM 1 (T=0.6)	1				UR
	164-17427-00-08	SHIM 1 (T=0.8)	1				UR
	164-17427-00-10	SHIM 1 (T=1.0)	1				UR
21	93440-15012	CIRCLIP	1				
22	90201-20611	WASHER, PLATE	1				
23	93306-20333	BEARING	1				
24	93317-11245	BEARING	1				
25	93315-31502	BEARING	1				

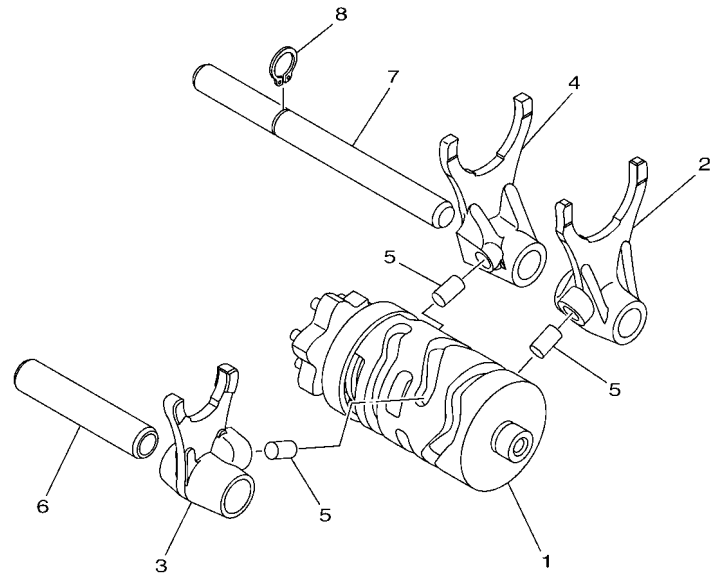


B4B1110-U130

FIG. 13 TRANSMISSION

REF. NO.	PART NO.	DESCRIPTION	BOG1				REMARKS
26	93306-20401	BEARING	1				
27	93102-26042	OIL SEAL	1				
28	9382A-14227	SPROCKET, DRIVE (14T)	1				STD
	9382A-15228	SPROCKET, DRIVE (15T)	1				AP
29	90387-202A0	COLLAR	1				
30	90215-20261	WASHER, LOCK	1				
31	90179-16016	NUT	1				

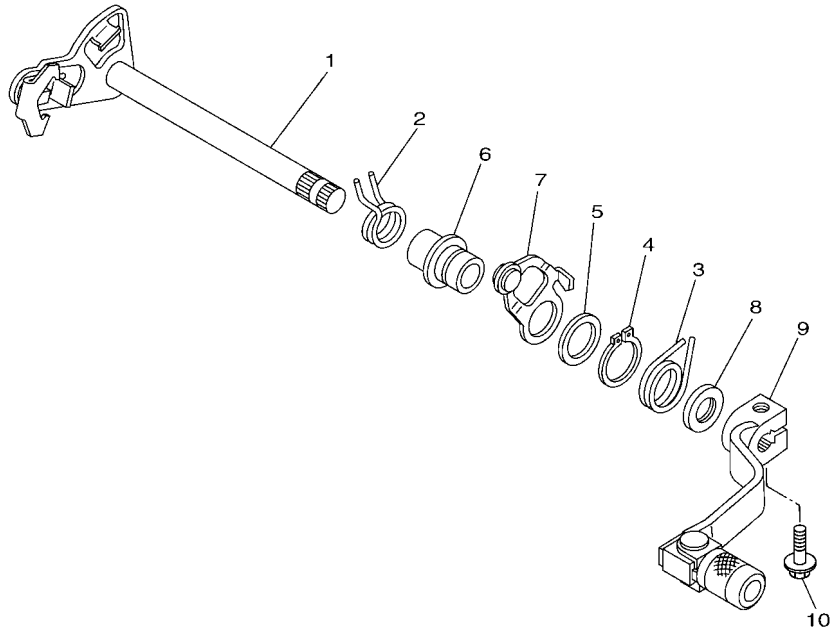
**FIG. 14 SHIFT CAM & FORK**



REF. NO.	PART NO.	DESCRIPTION	BOG1				REMARKS
1	BR8-18540-00	SHIFT CAM ASSY	1				
2	4ES-18511-02	FORK, SHIFT 1	1				
3	5R2-18512-00	FORK, SHIFT 2	1				
4	4ES-18513-01	FORK, SHIFT 3	1				
5	90250-06013	PIN, STRAIGHT	3				
6	4BA-18531-00	BAR, SHIFT FORK GUIDE 1	1				
7	4BA-18535-00	BAR, SHIFT FORK GUIDE 2	1				
8	99009-10400	CIRCLIP	1				



B4B1110-U140



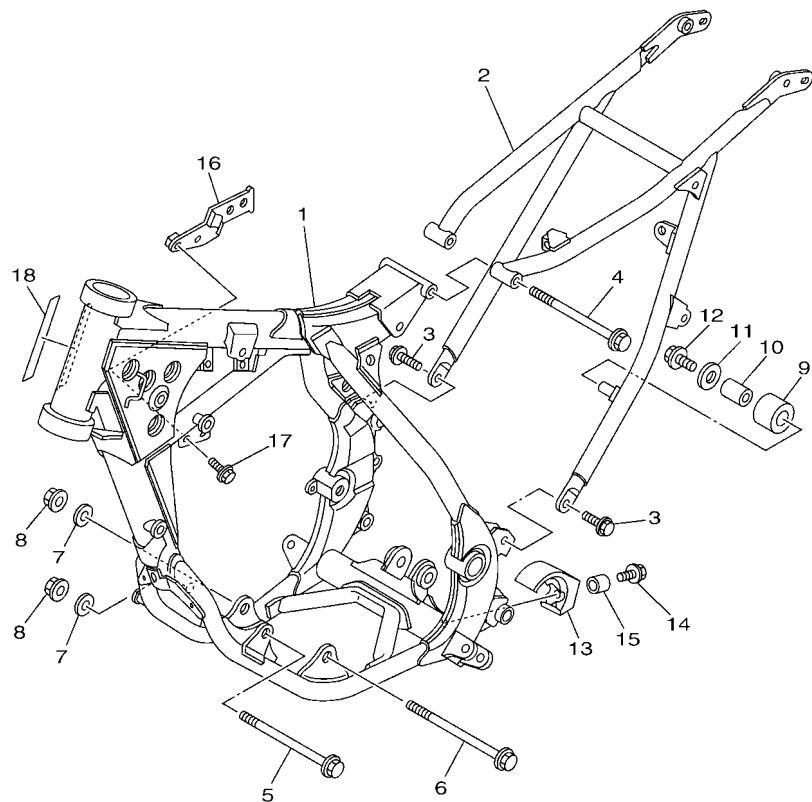
**FIG. 15 SHIFT SHAFT**

REF. NO.	PART NO.	DESCRIPTION	BOG1				REMARKS
1	5PA-18101-00	SHIFT SHAFT ASSY	1				
2	90508-32016	SPRING, TORSION	1				
3	90508-24007	SPRING, TORSION	1				
4	99009-17400	CIRCLIP	1				
5	90201-177G4	WASHER, PLATE	1				
6	5PA-1811E-00	COLLAR,SHIFT PEDAL	1				
7	5PA-18140-00	STOPPER LEVER ASSY	1				
8	93101-12173	OIL SEAL	1				
9	2HF-18110-02	SHIFT PEDAL ASSY	1				
10	95814-06020	BOLT, FLANGE	1				



B4B1110-U150

**FIG. 16 FRAME**

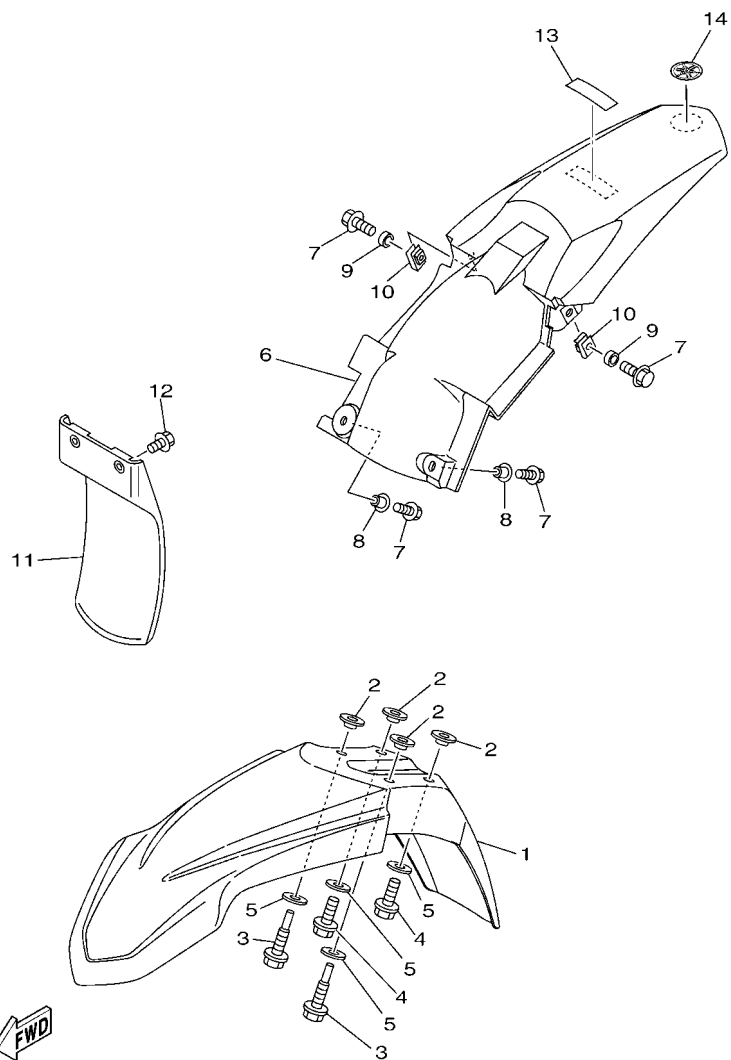


  
 B4B1110-U160

REF. NO.	PART NO.	DESCRIPTION	BOG1				REMARKS
1	5PA-21101-13	FRONT FRAME COMP.	1				
2	5PA-21190-02	REAR FRAME COMP.	1				
3	90105-08307	BOLT, FLANGE	2				
4	95812-08125	BOLT, FLANGE	1				
5	90105-10220	BOLT, FLANGE	1				
6	90105-10174	BOLT, FLANGE	1				
7	90201-10045	WASHER, PLATE	2				
8	90179-10024	NUT	2				
9	30X-22178-00	TENSIONER	1				
10	4V4-22184-00	BUSH	1				
11	90201-08078	WASHER, PLATE	1				
12	95E32-08012	BOLT, FLANGE DEEP RECESS	1				
13	4ES-22178-01	TENSIONER	1				
14	90119-06200	BOLT, WITH WASHER	1				
15	90387-064T3	COLLAR	1				
16	5PA-21274-10	BRACKET, C.D.I. UNIT	1				
17	95E32-06012	BOLT, FLANGE DEEP RECESS	2				
18	3HA-24141-00	PROTECTOR, FUEL TANK	1				



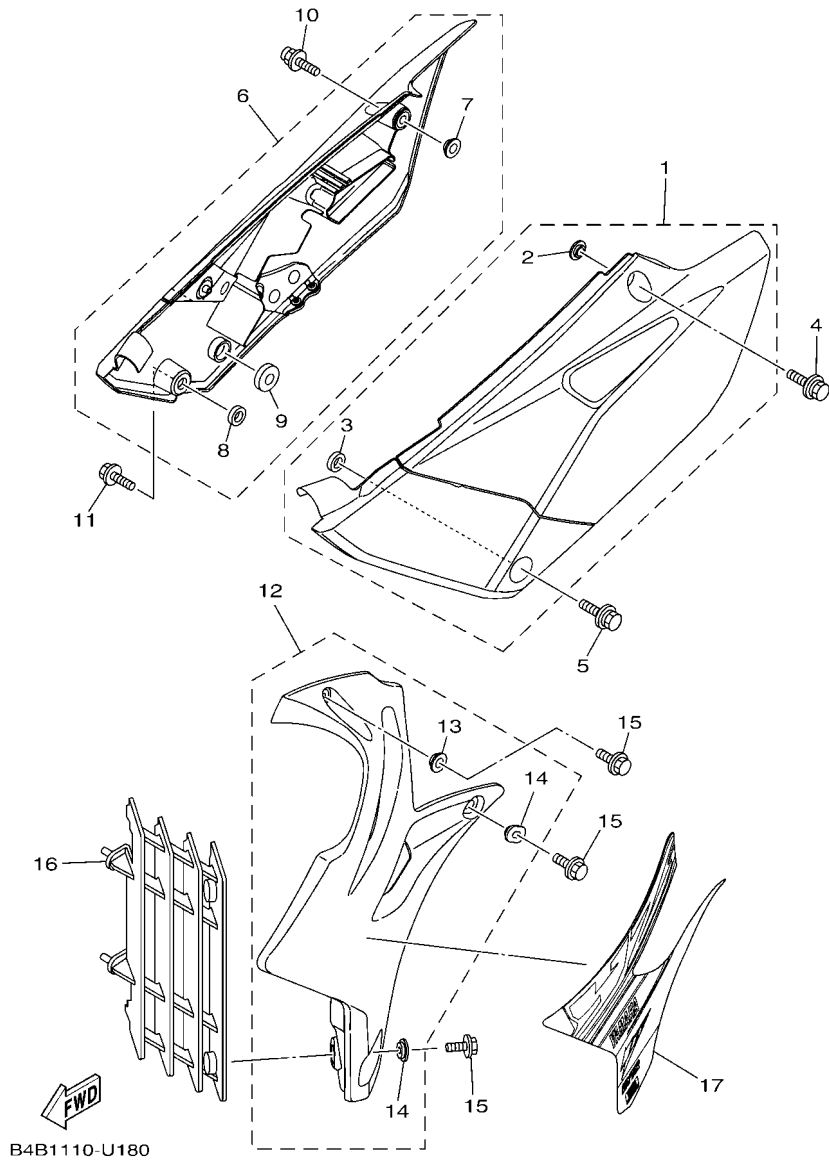
**FIG. 17 FENDER**



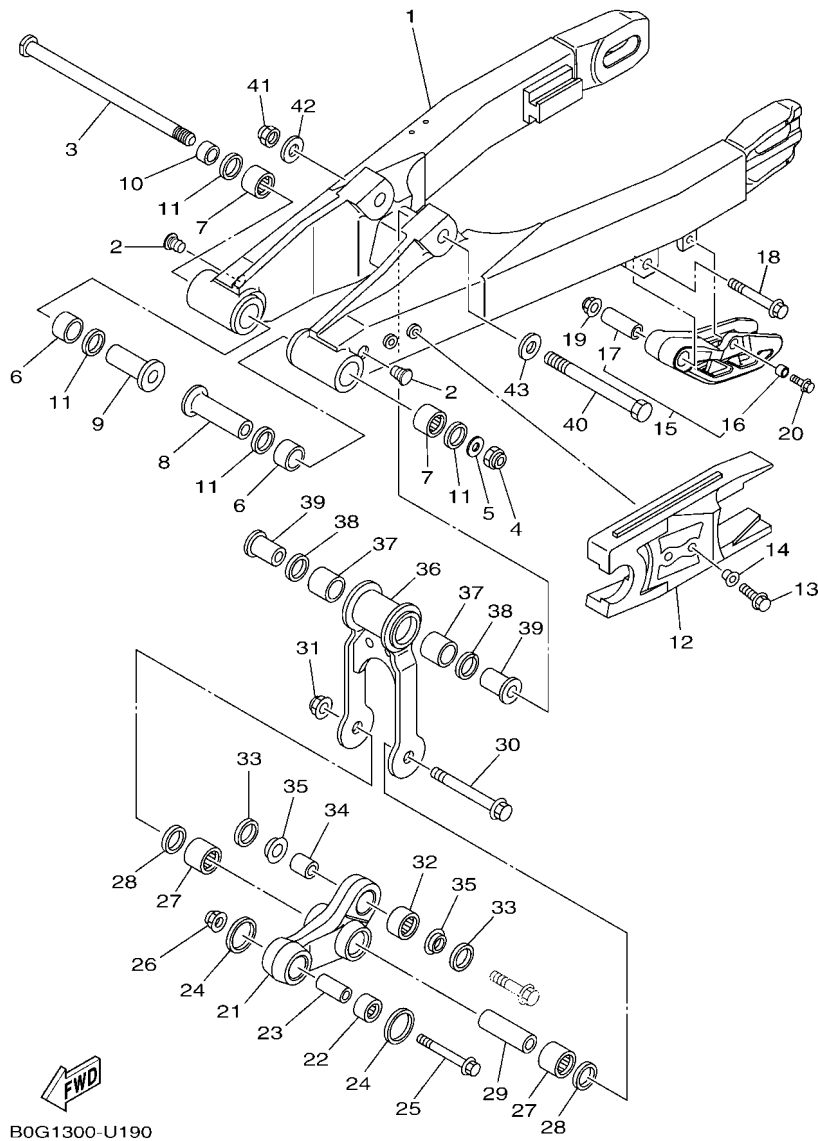
B0G1300-U170

REF. NO.	PART NO.	DESCRIPTION	B0G1				REMARKS
1	1SN-21510-00	FRONT FENDER COMP.	1				
2	90387-06259	COLLAR	4				
3	90105-06210	BOLT, FLANGE	2				
4	90105-06127	BOLT, FLANGE	2				
5	90201-06077	WASHER, PLATE	4				
6	5PA-21611-00	FENDER, REAR	1				
7	90119-06133	BOLT, WITH WASHER	4				
8	90387-064X4	COLLAR	2				
9	90387-0701A	COLLAR	2				
10	90183-060A7	NUT, SPRING	2				
11	4ES-21642-00	GUARD, FLAP	1				
12	90119-06239	BOLT, WITH WASHER	2				
13	5PG-2816R-00	LABEL, WARNING GENERAL INFO.	1				
14	5FK-2175C-30	TUNING FORK MARK	1				

**FIG. 18 SIDE COVER**



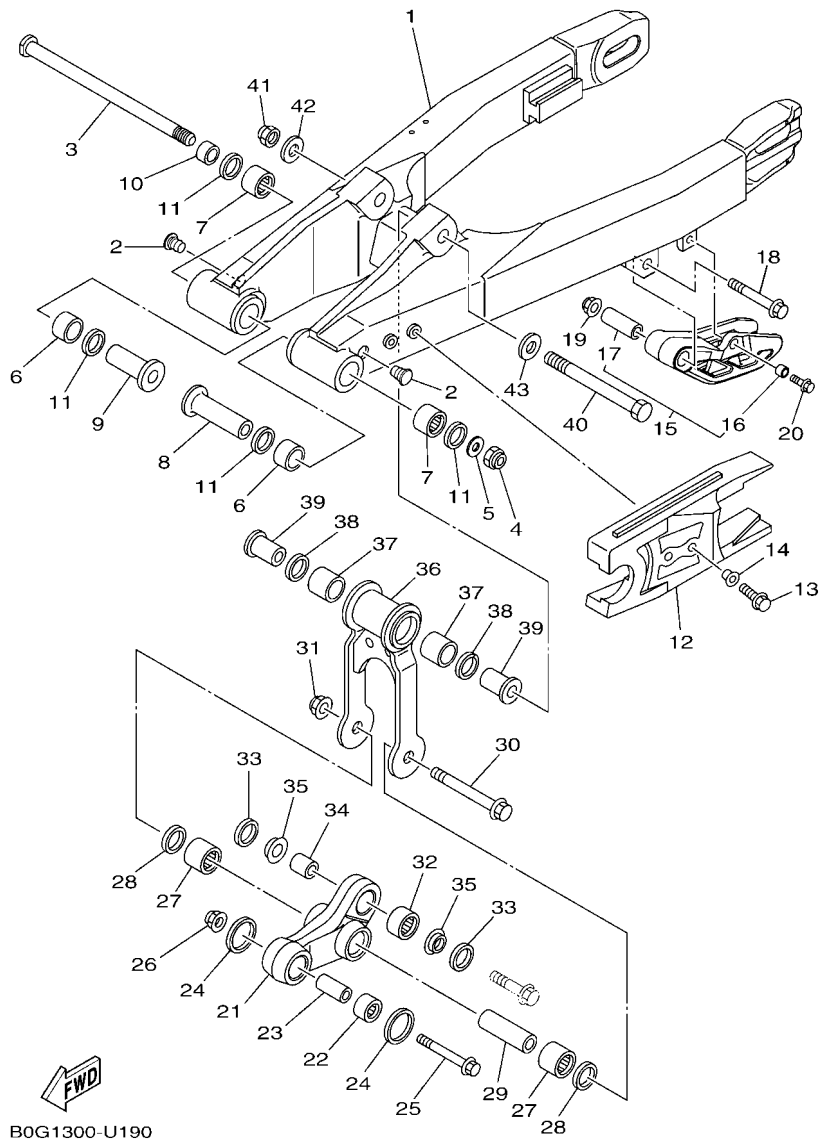
REF. NO.	PART NO.	DESCRIPTION	BOG1				REMARKS
1	1SN-21710-00	SIDE COVER ASSY 1	1				
2	90387-06009	.COLLAR	1				
3	90387-1001B	.COLLAR	1				
4	90119-06240	BOLT, WITH WASHER	1				
5	90119-06217	BOLT, WITH WASHER	1				
6	1SN-21720-00	SIDE COVER ASSY 2	1				
7	90387-06009	.COLLAR	1				
8	90387-1001B	.COLLAR	1				
9	1SL-21719-00	.GROMMET	1				
10	90119-06240	BOLT, WITH WASHER	1				
11	90119-06217	BOLT, WITH WASHER	1				
12	1SN-21730-00	SIDE COVER ASSY 3	1				
13	90387-06009	.COLLAR	1				
14	5PA-21748-00	.COLLAR	2				
15	90105-06064	BOLT, FLANGE	3				
16	5PH-2172A-11	PANEL 1	1				
17	B4B-2174G-00	GRAPHIC 3	1				



B0G1300-U190

FIG. 19 REAR ARM

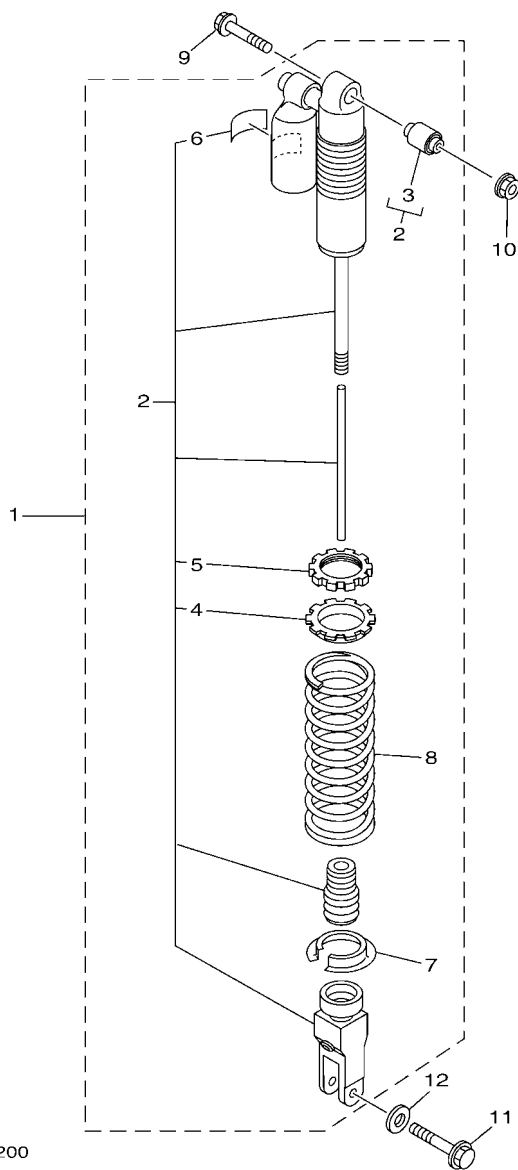
REF. NO.	PART NO.	DESCRIPTION	B0G1				REMARKS
1	B0G-22110-00	REAR ARM COMP.	1				
2	90338-10150	PLUG	2				
3	BR8-22141-00	SHAFT, PIVOT	1				
4	95612-12100	NUT, U	1				
5	90201-12032	WASHER, PLATE	1				
6	90385-17042	BUSH	2				
7	93317-21746	BEARING	2				
8	90387-127J8	COLLAR	1				
9	90387-127J7	COLLAR	1				
10	90387-1200U	COLLAR	1				
11	93109-17071	OIL SEAL	4				
12	5PA-22151-00	SEAL, GUARD	1				
13	95E32-06014	BOLT, FLANGE DEEP RECESS	2				
14	90387-06180	COLLAR	2				
15	BR8-22199-00	SUPPORT, CHAIN	1				
16	90387-06207	.COLLAR	1				
17	90387-09002	.COLLAR	1				
18	95E32-08055	BOLT, FLANGE DEEP RECESS	1				
19	95602-08200	NUT, U FLANGE	1				
20	95D02-06016	BOLT, FLANGE DEEP RECESS	1				
21	B4B-2217A-00	ARM, RELAY	1				
22	93315-31759	BEARING	1				
23	90387-10116	COLLAR	1				
24	93109-17071	OIL SEAL	2				
25	90105-10582	BOLT, FLANGE	1				
26	95602-10200	NUT, S/L FLANGE	1				
27	93317-31771	BEARING	2				



**FIG. 19 REAR ARM**

REF. NO.	PART NO.	DESCRIPTION	B0G1				REMARKS
28	93101-17062	OIL SEAL	2				
29	90380-12219	BUSH, SOLID	1				
30	90109-12015	BOLT	1				
31	95602-12200	NUT, SELF-LOCKING	1				
32	5PA-22176-00	BEARING	1				
33	5PA-22475-00	SEAL, DUST	2				
34	5PA-22184-00	BUSH	1				
35	5PA-22253-00	COLLAR, DISTANCE	2				
36	4ES-2217F-00	ROD, CONNECTING 1	1				
37	93317-31771	BEARING	2				
38	93101-17062	OIL SEAL	2				
39	90381-12091	BUSH, SOLID	2				
40	90101-12755	BOLT	1				
41	90185-12011	NUT, SELF-LOCKING	1				
42	90201-12047	WASHER, PLATE	1				
43	90201-12049	WASHER, PLATE	1				

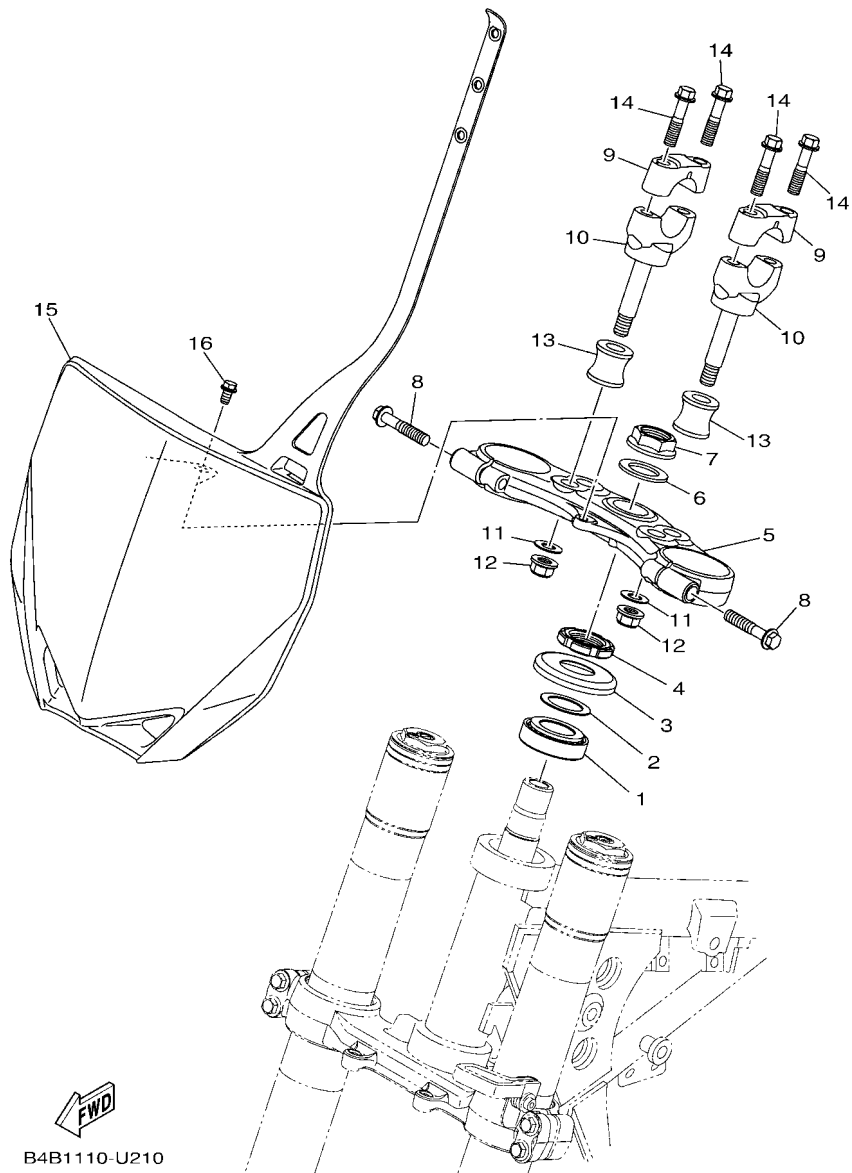
**FIG. 20 REAR ARM & SUSPENSION**



B4B1110-U200

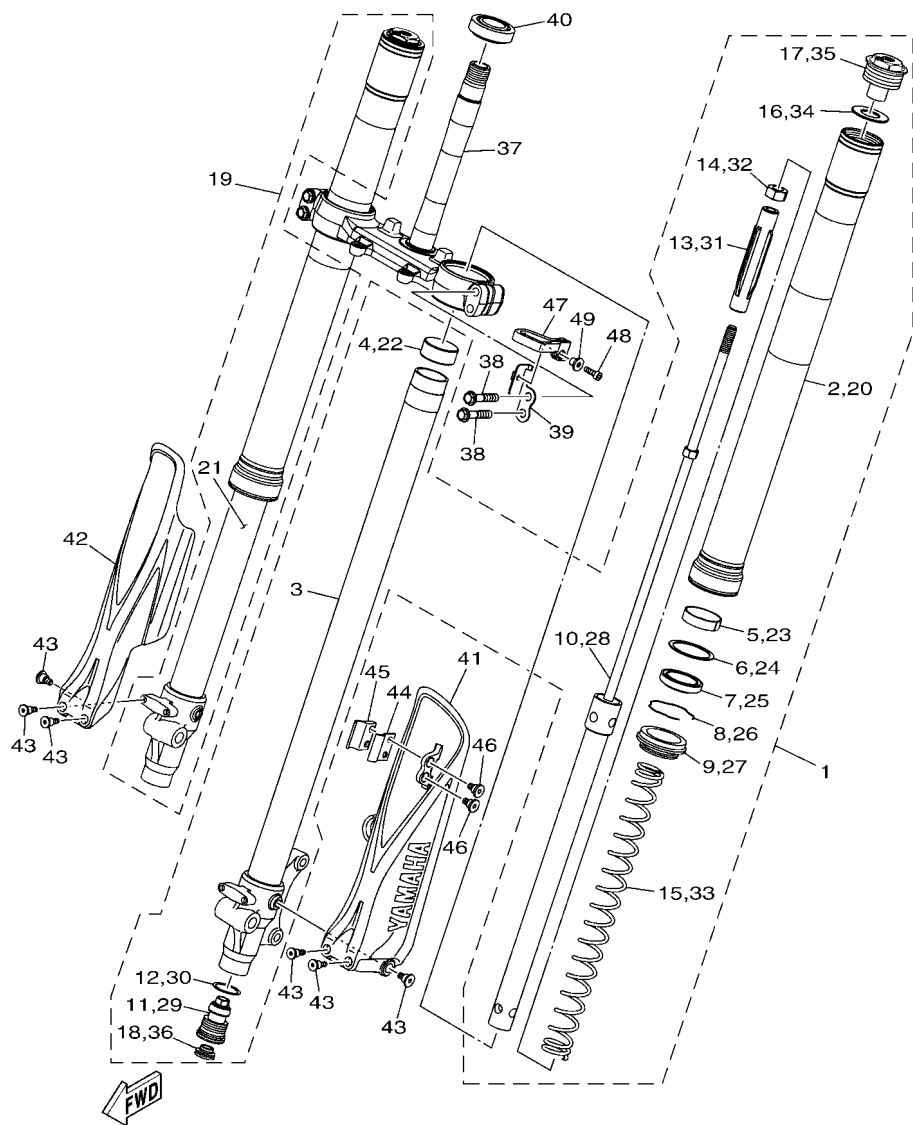
REF. NO.	PART NO.	DESCRIPTION	BOG1				REMARKS
1	B0G-22200-00	SHOCK ABSORBER ASSY, REAR	1				
2	B0G-22201-00	.DAMPER SUB ASSY	1				
3	4ES-22216-00	..BUSH, REAR SHOCK ABSORBER	1				
4	4ES-22214-00	..GUIDE, SPRING 1	1				
5	4ES-22251-00	..NUT 1	1				
6	4AA-22259-40	..LABEL, WARNING	1				
7	3JD-22214-00	..GUIDE, SPRING 1	1				
8	4ES-22212-F0	..SPRING (K=49N/MM)	1				
9	90105-10390	BOLT, FLANGE	1				
10	90179-10024	NUT	1				
11	90105-10614	BOLT, FLANGE	1				
12	90201-11016	WASHER, PLATE	1				

**FIG. 21 STEERING**



REF. NO.	PART NO.	DESCRIPTION	BOG1				REMARKS
1	93332-00079	BEARING	1				
2	90201-256K5	WASHER, PLATE (0.5T)	1				
3	1J7-23415-00	COVER, BALL RACE 1	1				
4	90179-25004	NUT	1				
5	BR8-23435-00	CROWN, HANDLE	1				
6	90201-220T0	WASHER, PLATE	1				
7	90179-22025	NUT	1				
8	95E32-08040	BOLT, FLANGE DEEP RECESS	2				
9	18P-23441-00	HOLDER, HANDLE UPPER	2				
10	BR9-23442-00	HOLDER, HANDLE LOWER	2				
11	90201-10045	WASHER, PLATE	2				
12	95602-10200	NUT, S/L FLANGE	2				
13	B4B-23113-00	COLLAR	2				
14	90105-08154	BOLT, FLANGE	4				
15	1SN-23485-01	PLATE, NUMBER	1				
16	90105-06064	BOLT, FLANGE	1				

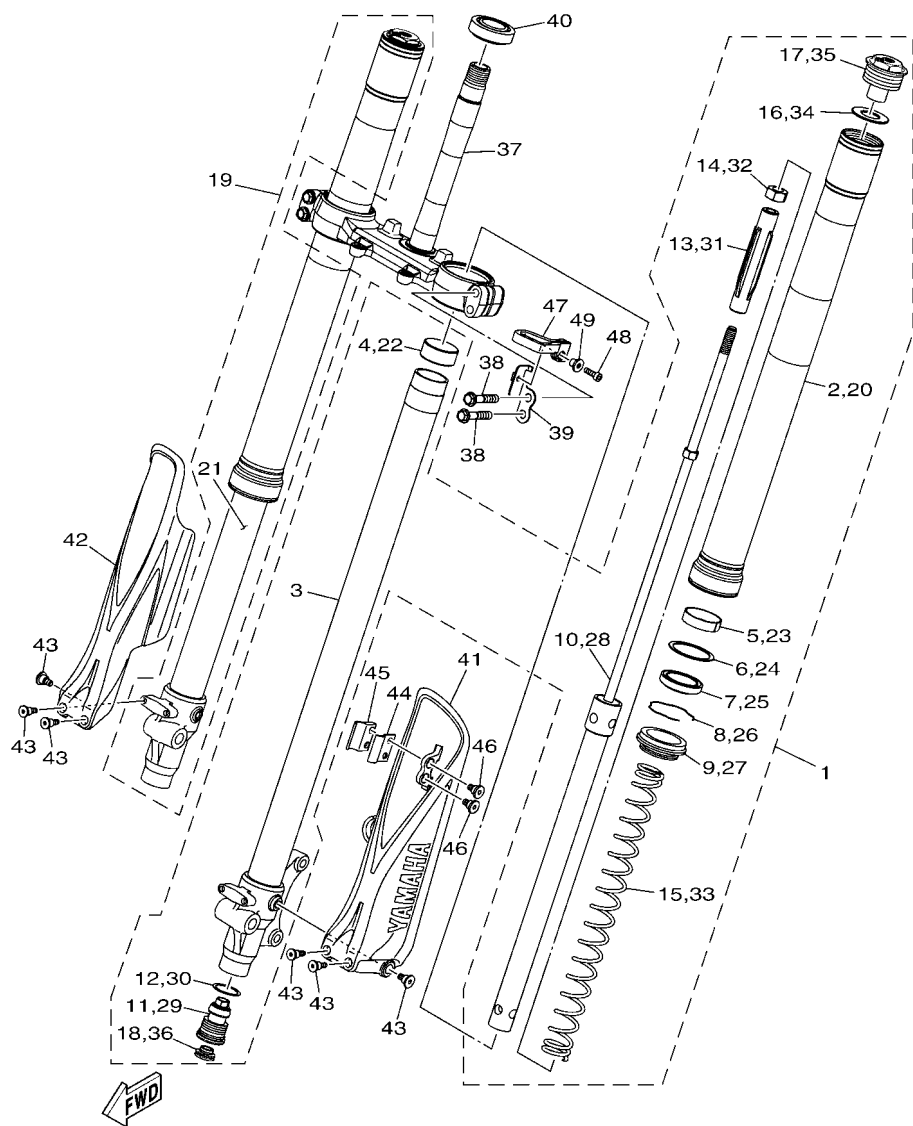
FIG. 22 FRONT FORK



B4B1110-U220

REF. NO.	PART NO.	DESCRIPTION	BOG1				REMARKS
1	B0G-23102-00	FRONT FORK ASSY (L.H)	1				
2	B4B-23136-00	.TUBE, OUTER 2	1				
3	B4B-23120-00	.INNER TUBE COMP.2	1				
4	5PA-23171-00	.PISTON, FRONT FORK	1				
5	5PA-23125-00	.METAL, SLIDE 1	1				
6	5K5-23149-00	.WASHER, SPRING UPPER	1				
7	4ES-23145-00	.OIL SEAL	1				
8	4A1-23156-00	.RING, SNAP	1				
9	4ES-23144-00	.SEAL, DUST	1				
10	B4B-23170-00	.CYLINDER COMP., FRONT FORK	1				
11	B0G-2316A-00	.VALVE COMP.	1				
12	2HH-23158-L0	.GASKET	1				
13	B4B-23142-00	.SEAT, SPRING UPPER	1				
14	3XJ-23357-L0	.NUT	1				
15	4LB-23141-10	.SPRING, FRONT FORK(K=2.9N/MM)	1				
16	5PA-23149-00	.WASHER, SPRING UPPER	1				
17	BR8-23111-00	.BOLT, CAP	1				
18	3JD-2312G-L0	.PLUG, HOLE	1				
19	B0G-23103-00	FRONT FORK ASSY (R.H)	1				
20	B4B-23136-00	.TUBE, OUTER 2	1				
21	B4B-23110-00	.INNER TUBE COMP.1	1				
22	5PA-23171-00	.PISTON, FRONT FORK	1				
23	5PA-23125-00	.METAL, SLIDE 1	1				
24	5K5-23149-00	.WASHER, SPRING UPPER	1				
25	4ES-23145-00	.OIL SEAL	1				
26	4A1-23156-00	.RING, SNAP	1				
27	4ES-23144-00	.SEAL, DUST	1				

FIG. 22 FRONT FORK

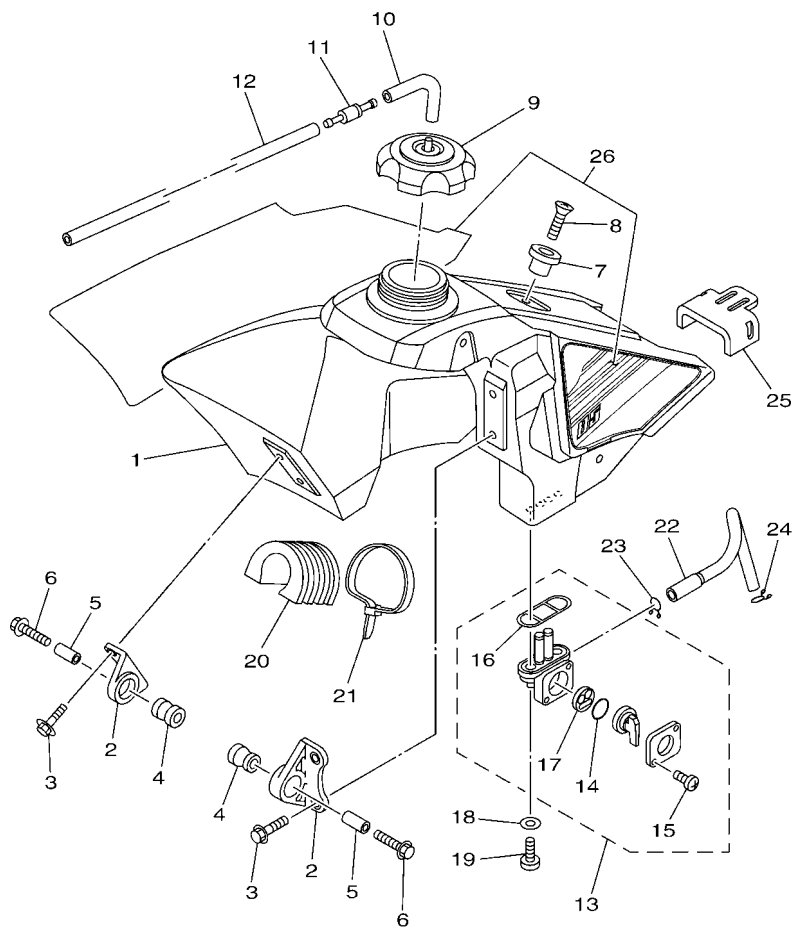


B4B1110-U220

REF. NO.	PART NO.	DESCRIPTION	BOG1				REMARKS
28	B4B-23170-00	.CYLINDER COMP., FRONT FORK	1				
29	B0G-2316A-00	.VALVE COMP.	1				
30	2HH-23158-L0	.GASKET	1				
31	B4B-23142-00	.SEAT, SPRING UPPER	1				
32	3XJ-23357-L0	.NUT	1				
33	4LB-23141-10	.SPRING, FRONT FORK(K=2.9N/MM)	1				
34	5PA-23149-00	.WASHER, SPRING UPPER	1				
35	BR8-23111-00	.BOLT, CAP	1				
36	3JD-2312G-L0	.PLUG, HOLE	1				
37	BR8-23340-00	UNDER BRACKET COMP.	1				
38	5PA-23346-00	BOLT 1	4				
39	BR8-2331E-00	GUIDE, CABLE	1				
40	93332-00079	BEARING	1				
41	B4B-2315H-00	PROTECTOR 1	1				
42	B4B-2315J-00	PROTECTOR 2	1				
43	90109-06232	BOLT	6				
44	17D-23466-00	CLAMP	1				
45	17D-23467-00	CLAMP	1				
46	90109-06232	BOLT	2				
47	5TJ-23389-80	GUIDE, CABLE	1				
48	90110-05034	BOLT, HEXAGON SOCKET HEAD	1				
49	90387-05065	COLLAR	1				



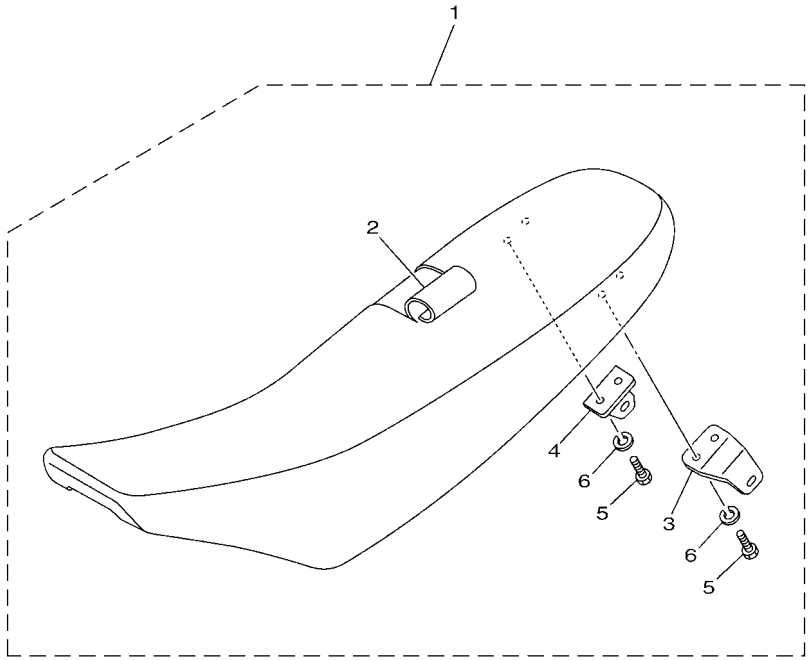
**FIG. 23 FUEL TANK**



**FWD**  
B4B1110-U230

REF. NO.	PART NO.	DESCRIPTION	BOG1				REMARKS
1	5PA-24110-30	FUEL TANK COMP.	1				
2	5XE-24144-00	HOLDER, DAMPER	2				
3	95E32-06016	BOLT, FLANGE DEEP RECESS	4				
4	90480-18549	GROMMET	2				
5	90387-06027	COLLAR	2				
6	90119-06262	BOLT, WITH WASHER	2				
7	4EW-2412F-00	BRACKET, SEAT	1				
8	98702-06025	SCREW, FLAT HEAD	1				
9	5NY-24610-10	CAP ASSY	1				
10	90445-09003	HOSE (L30)	1				
11	3XJ-24380-00	PIPE JOINT ASSY	1				
12	90445-09005	HOSE	1				
13	4DP-24500-10	FUEL COCK ASSY 1	1				
14	3AJ-24534-10	.SEAL, COCK	1				
15	98507-03008	.SCREW, PAN HEAD	2				
16	4X8-24512-10	.GASKET	1				
17	3AC-24523-00	.VALVE PACKING	1				
18	90202-05193	WASHER, PLATE	2				
19	90149-06108	SCREW	2				
20	5PA-24182-00	DAMPER, LOCATING 2	1				
21	90464-65001	CLAMP	1				
22	B4B-24311-00	PIPE, FUEL 1	1				
23	90467-10008	CLIP	1				
24	90467-09002	CLIP	1				
25	5PA-24181-00	DAMPER, LOCATING 1	1				
26	B4B-24240-00	GRAPHIC SET	1				

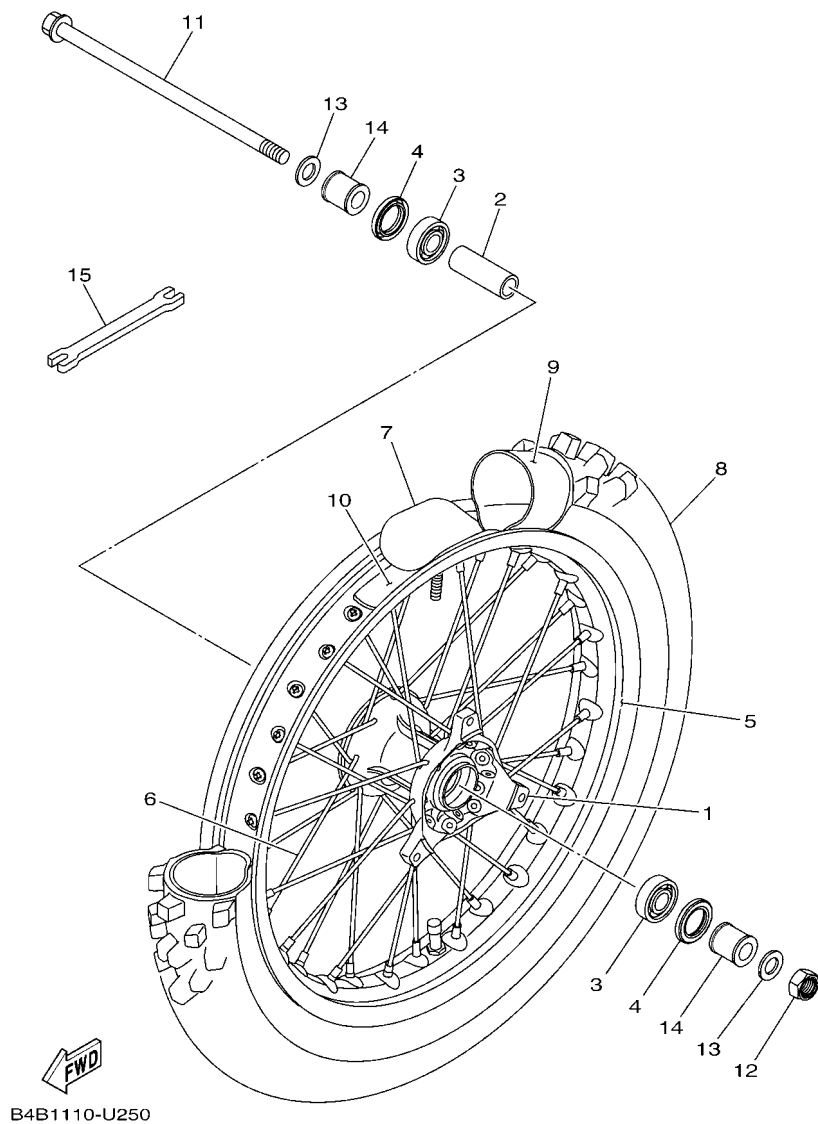
**FIG. 24 SEAT**



REF. NO.	PART NO.	DESCRIPTION	BOG1					REMARKS
1	1SN-24770-10	SEMI-DOUBLE SEAT ASSY	1					
2	1SN-2470F-10	.SEAT COVER COMP.	1					
3	5PA-24718-00	.BRACKET, SEAT	1					
4	5PA-24728-00	.BRACKET, SEAT	1					
5	97007-06012	.BOLT	4					
6	92907-06100	.WASHER, SPRING	4					

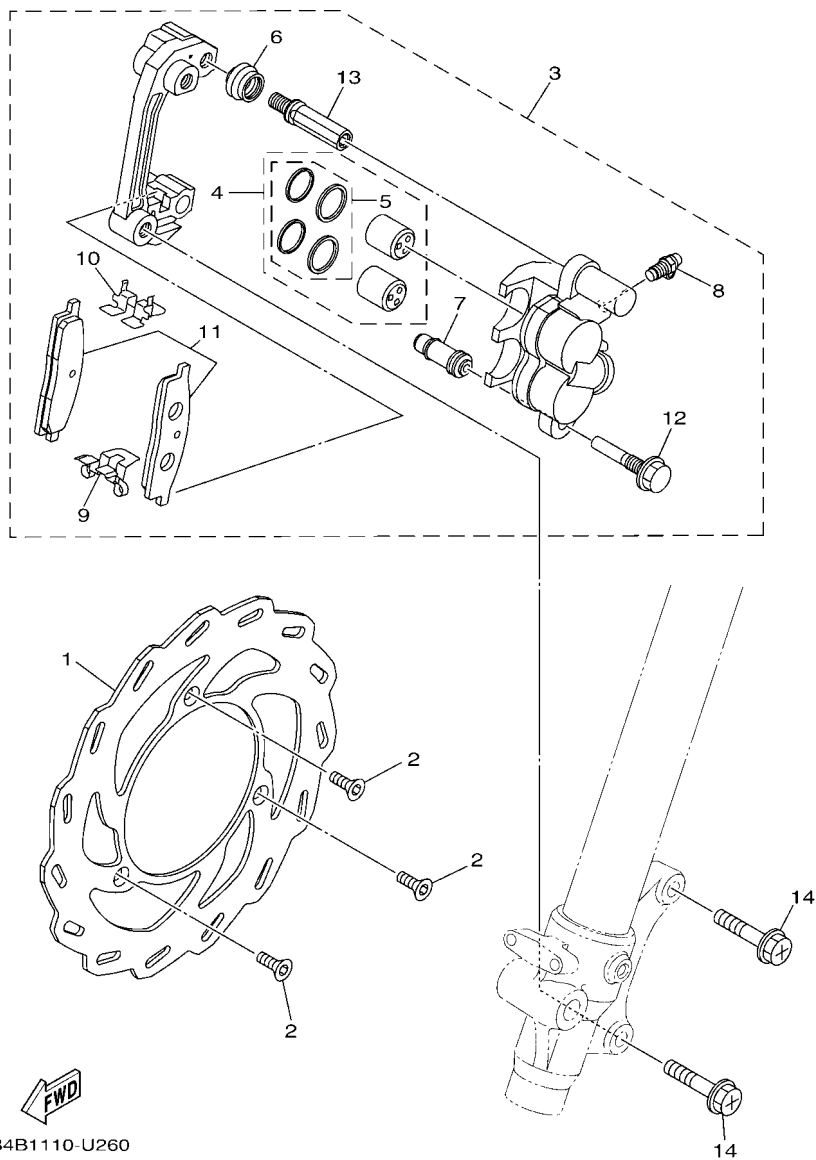
  
 5PAS110-J230

**FIG. 25 FRONT WHEEL**



REF. NO.	PART NO.	DESCRIPTION	BOG1				REMARKS
1	4ES-25111-01	HUB, FRONT	1				
2	90387-124H0	COLLAR	1				
3	93306-20103	BEARING	2				
4	93102-22087	OIL SEAL	2				
5	94414-19013	RIM (1.40-19)	1				
6	4LB-25104-00	SPOKE SET, FRONT	1				
7	1T1-25194-00	SPACER, BEAD	1				
8	94107-19024	TIRE (70/100-19 42M MX3SF)	1				DUNLOP
9	94207-19290	TUBE (70/100-19M/C TR4)	1				DUNLOP
10	94307-19170	BAND, RIM (18-19)	1				DUNLOP
11	4ES-25181-00	AXLE, WHEEL	1				
12	90185-12010	NUT, SELF-LOCKING	1				
13	90201-12055	WASHER, PLATE	2				
14	BR8-25183-00	COLLAR, WHEEL	2				
15	1RH-28166-00	WRENCH, HEXAGON	1				

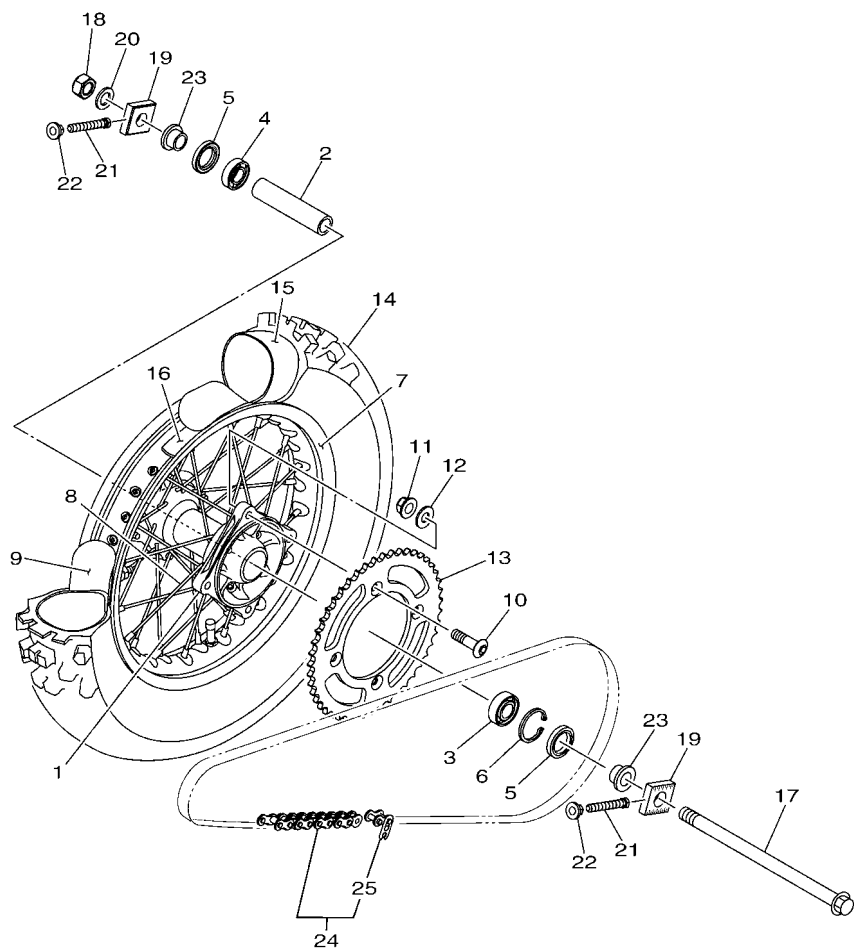
**FIG. 26 FRONT BRAKE CALIPER**



REF. NO.	PART NO.	DESCRIPTION	BOG1				REMARKS
1	B4B-2582T-00	DISC, BRAKE (LEFT)	1				
2	90149-06327	SCREW	3				
3	5PA-2580T-00	CALIPER ASSY (LEFT)	1				
4	4ES-W0057-10	.PISTON ASSY, CALIPER	1				
5	4ES-W0047-10	..CALIPER SEAL KIT	1				
6	5R2-25937-00	.BOOT 2	1				
7	56A-25937-00	.BOOT 2	1				
8	51L-W0048-00	.BLEED SCREW KIT	1				
9	56A-25919-00	.SUPPORT, PAD	1				
10	56A-25919-10	.SUPPORT, PAD	1				
11	5PA-W0045-00	.BRAKE PAD KIT	1				
12	56A-25926-00	.BOLT	1				
13	34X-25914-00	.PIN, SLIDE	1				
14	90105-08137	BOLT, FLANGE	2				

B4B1110-U260

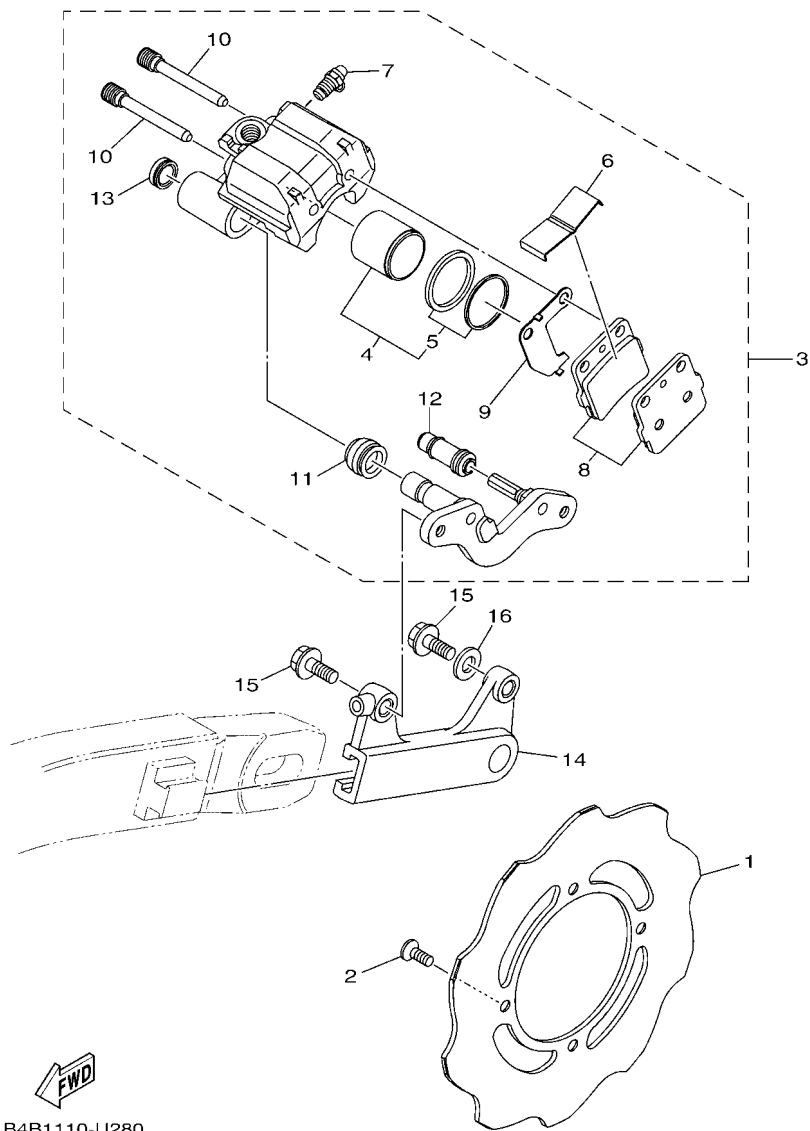
FIG. 27 REAR WHEEL



  
B4B1110-U270

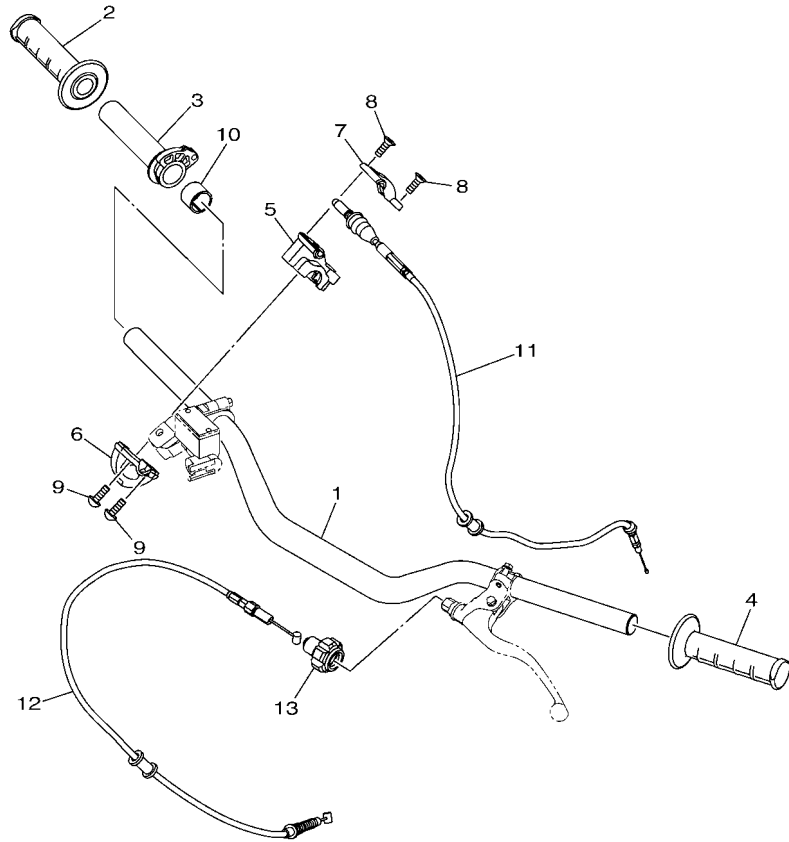
REF. NO.	PART NO.	DESCRIPTION	BOG1				REMARKS
1	4ES-25311-00	HUB, REAR	1				
2	4ES-25383-00	COLLAR, WHEEL	1				
3	93306-00203	BEARING	1				
4	93306-20203	BEARING	1				
5	93102-20009	OIL SEAL	2				
6	99009-35500	CIRCLIP	1				
7	94418-16006	RIM (1.85-16)	1				
8	4LB-25304-00	SPOKE SET, REAR	1				
9	1T2-25394-00	SPACER, BEAD	1				
10	90152-08001	SCREW, COUNTERSUNK	4				
11	90185-08008	NUT, SELF-LOCKING	4				
12	90201-08043	WASHER, PLATE	4				
13	5PA-25451-00	SPROCKET, DRIVEN (51T)	1				STD
	5PA-25452-00	SPROCKET, DRIVEN (52T)	1				AP
	5PA-25453-00	SPROCKET, DRIVEN (53T)	1				AP
14	94109-16024	TIRE (90/100-16 52M MX3S)	1				DUNLOP
15	94209-16291	TUBE (90/100-16M/C TR4)	1				DUNLOP
16	94307-16171	BAND, RIM (18-16)	1				DUNLOP
17	BR8-25381-00	AXLE, WHEEL	1				
18	90185-14009	NUT, SELF-LOCKING	1				
19	BR8-25389-00	PULLER, CHAIN 2	2				
20	90201-14411	WASHER, PLATE	1				
21	90101-08006	BOLT	2				
22	90179-08029	NUT	2				
23	BR8-25383-00	COLLAR, WHEEL	2				
24	9Y582-43123	CHAIN (DID 428DS 124LL)	1				
25	94682-43001	.JOINT,CHAIN (DID 428DS-RJ)	1				

**FIG. 28 REAR BRAKE CALIPER**



B4B1110-U280

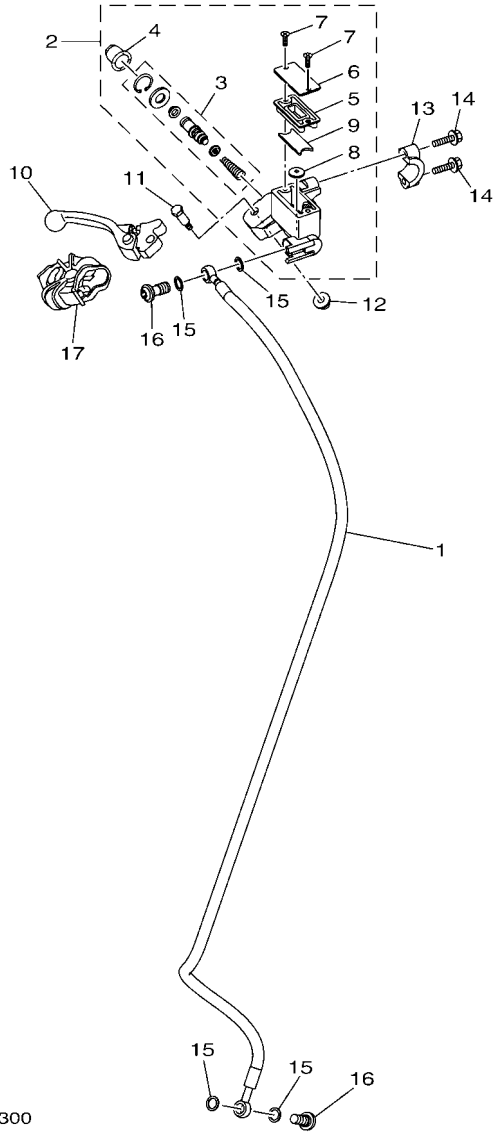
REF. NO.	PART NO.	DESCRIPTION	BOG1				REMARKS
1	B4B-2582W-00	DISK, REAR BRAKE 2	1				
2	90151-06051	SCREW, COUNTERSUNK	4				
3	5PA-2580W-00	CALIPER ASSY, REAR 2	1				
4	4EW-W0057-50	.PISTON ASSY, CALIPER	1				
5	4ES-W0047-00	..CALIPER SEAL KIT	1				
6	1UY-25919-51	.SUPPORT, PAD	1				
7	1UY-W0048-50	.BLEED SCREW KIT	1				
8	5PA-W0046-50	.BRAKE PAD KIT 2	1				
9	3GD-25827-00	.SHIM, CALIPER	1				
10	3GD-25933-00	.PIN, PAD	2				
11	1UY-25917-51	.BOOT, CALIPER	1				
12	1UY-25937-51	.BOOT 2	1				
13	3GD-25916-00	.PLUG	1				
14	4ES-25920-01	SUPPORT BRACKET ASSY	1				
15	90111-08029	BOLT,HEX. SOCKET BUTTON	2				
16	90201-08043	WASHER, PLATE	1				



B4B1110-U290

**FIG. 29 STEERING HANDLE & CABLE**

REF. NO.	PART NO.	DESCRIPTION	BOG1				REMARKS
1	BR8-26111-00	HANDLEBAR	1				
2	4GY-26242-00	GRIP (RIGHT)	1				
3	22W-26243-00	TUBE, THROTTLE GUIDE	1				
4	4GY-26241-00	GRIP	1				
5	5X2-26281-00	CAP, GRIP UPPER	1				
6	322-26282-00	CAP, GRIP UNDER	1				
7	5X2-2628H-01	CAP, WIRE	1				
8	98702-04012	SCREW, FLAT HEAD	2				
9	98502-05016	SCREW, PAN HEAD	2				
10	90387-227H7	COLLAR	1				
11	B4B-26311-00	CABLE, THROTTLE 1	1				
12	B4B-26335-00	CABLE, CLUTCH	1				
13	34P-26342-00	BOOT, CABLE	1				

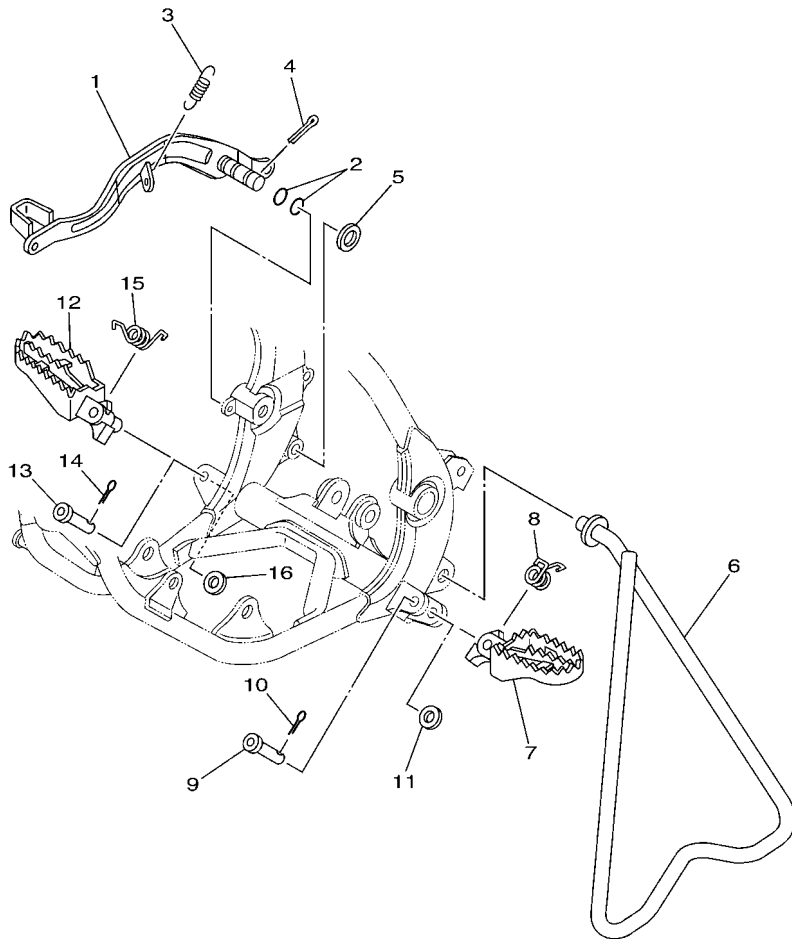


B4B1110-U300

**FIG. 30 FRONT MASTER CYLINDER**

REF. NO.	PART NO.	DESCRIPTION	BOG1				REMARKS
1	B0G-25872-00	HOSE, BRAKE 1	1				
2	5XE-W2587-00	MASTER CYLINDER SUB ASSY	1				
3	5NY-W0041-01	.CYLINDER KIT, MASTER	1				
4	5NY-25868-00	.BOOT, MASTER CYLINDER	1				
5	5XE-25854-00	.DIAPHRAGM, RESERVOIR	1				
6	5MV-25852-01	.CAP, RESERVOIR	1				
7	98706-04012	.SCREW, FLAT HEAD	2				
8	5CG-25715-00	.SEPARATOR ASSY	1				
9	5XE-25853-00	.FLOAT, RESERVOIR	1				
10	5MV-83922-00	LEVER 2	1				
11	5MV-2589F-00	BOLT, LEVER	1				
12	95701-06500	NUT, WITH WASHER	1				
13	5MV-25867-00	BRACKET, MASTER CYLINDER	1				
14	5MV-25833-00	BOLT, FITTING	2				
15	90430-10005	GASKET	4				
16	90401-10172	BOLT, UNION	2				
17	5NY-26372-00	COVER, HANDLE LEVER 1	1				





  
 5PA1100-A300

**FIG. 31 STAND & FOOTREST**

REF. NO.	PART NO.	DESCRIPTION	BOG1				REMARKS
1	5PA-27211-00	PEDAL, BRAKE	1				
2	93210-11073	O-RING	2				
3	90506-15480	SPRING, TENSION	1				
4	91401-20025	PIN, COTTER	1				
5	90201-15701	WASHER, PLATE (T=1.0)	1				
6	5SH-27311-00	STAND, SIDE	1				
7	5ET-27411-00	FOOTREST 1	1				
8	90508-282B8	SPRING, TORSION	1				
9	90240-10004	PIN, CLEVIS	1				
10	91401-25015	PIN, COTTER	1				
11	90201-10033	WASHER, PLATE	1				
12	5ET-27421-00	FOOTREST 2	1				
13	90240-10004	PIN, CLEVIS	1				
14	91401-25015	PIN, COTTER	1				
15	90508-282B9	SPRING, TORSION	1				
16	90201-10033	WASHER, PLATE	1				

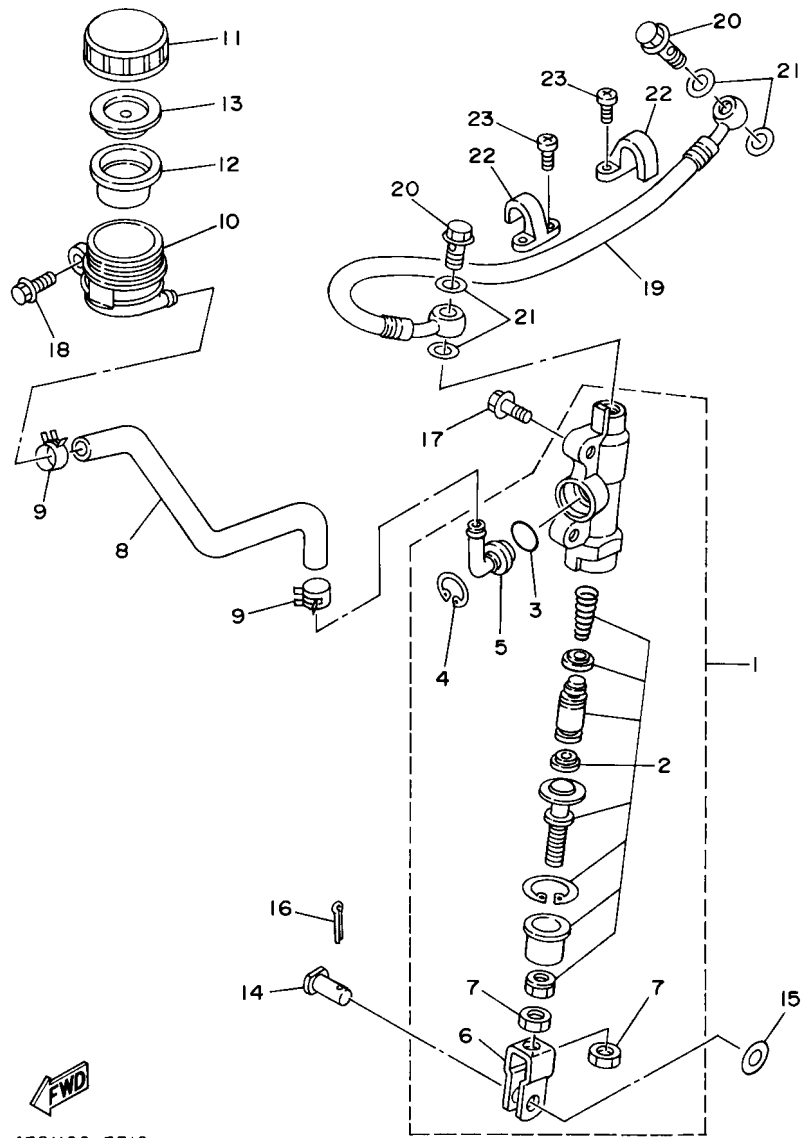
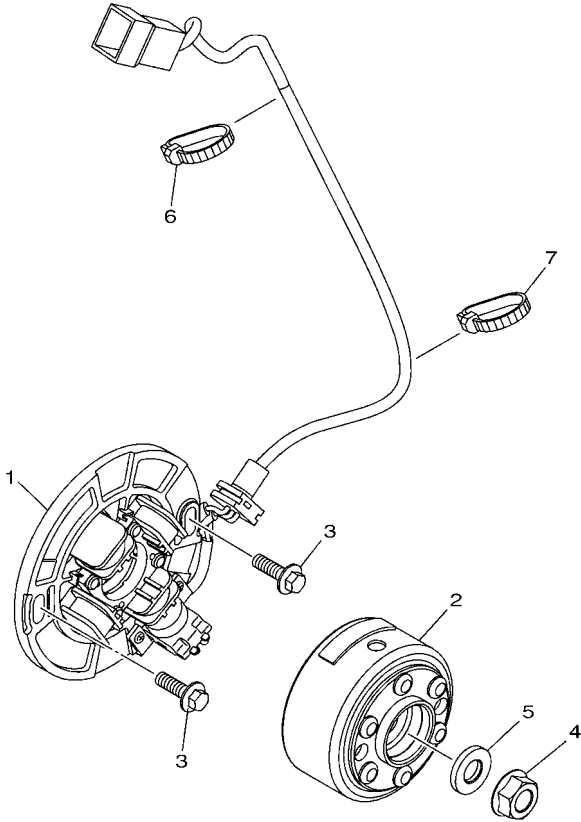


FIG. 32 REAR MASTER CYLINDER

REF. NO.	PART NO.	DESCRIPTION	BOG1				REMARKS
1	4ES-2583V-00	RR. MASTER CYLINDER ASSY.	1				
2	1FK-W0042-50	.CYLINDER KIT, MASTER	1				
3	93210-15620	.O-RING	1				
4	2VN-25866-00	.CIRCLIP	1				
5	2VN-2582A-50	.JOINT	1				
6	2YK-27222-00	.JOINT	1				
7	95307-08600	.NUT	2				
8	4ES-25895-01	HOSE, RESERVOIR	1				
9	90467-11044	CLIP	2				
10	4EW-25894-00	TANK, RESERVOIR	1				
11	3XP-25852-50	CAP, RESERVOIR	1				
12	2VN-25854-00	DIAPHRAGM, RESERVOIR	1				
13	2VN-25855-00	BUSH,DIAPHRAGM	1				
14	90240-08124	PIN, CLEVIS	1				
15	90201-08083	WASHER, PLATE	1				
16	91401-16012	PIN, COTTER	1				
17	90105-06090	BOLT, FLANGE	2				
18	95E32-06012	BOLT, FLANGE DEEP RECESS	1				
19	B0G-25873-00	HOSE, BRAKE 2	1				
20	90401-10172	BOLT, UNION	2				
21	90430-10005	GASKET	4				
22	1C3-25886-50	HOLDER, BRAKE HOSE	2				
23	90157-05026	SCREW, PAN HEAD	4				

4ES1100-3310

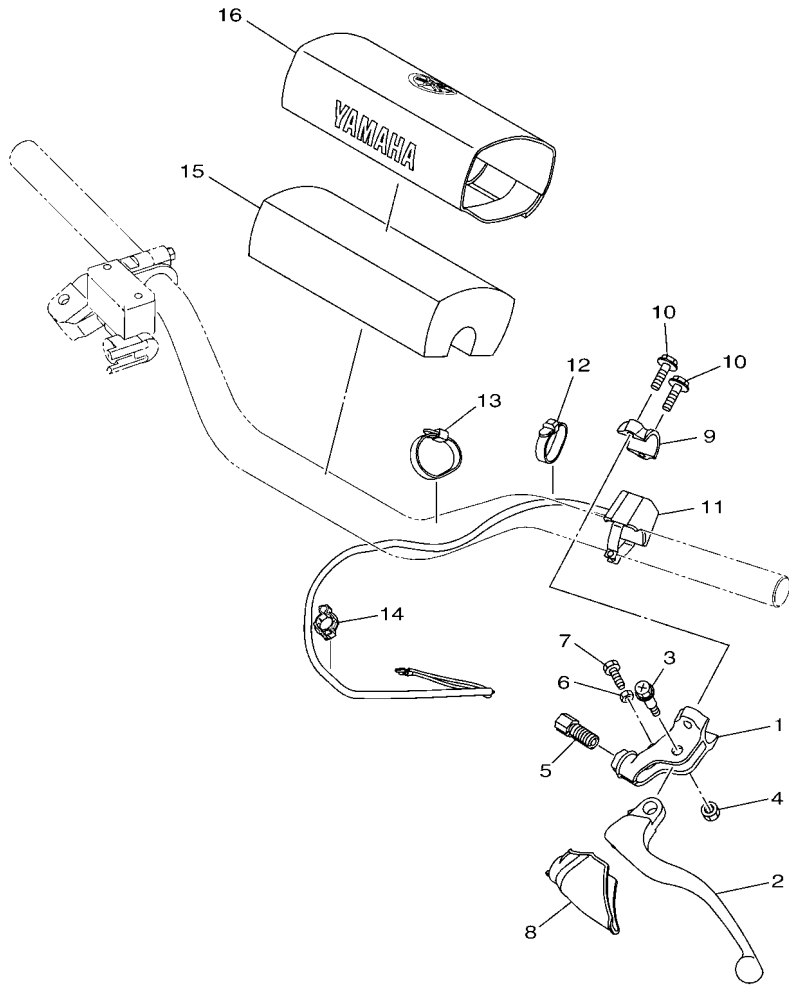
**FIG. 33 GENERATOR**



REF. NO.	PART NO.	DESCRIPTION	BOG1	REMARKS
1	5PA-85560-01	BASE ASSY	1	
2	4SS-85550-11	ROTOR ASSY	1	
3	90105-06203	BOLT, FLANGE	2	
4	90179-10M35	NUT	1	
5	90201-10591	WASHER, PLATE	1	
6	90464-13073	CLAMP	1	(125.0x7.0)
7	90464-25004	CLAMP	1	(101.0x7.0)



B4B1110-U330

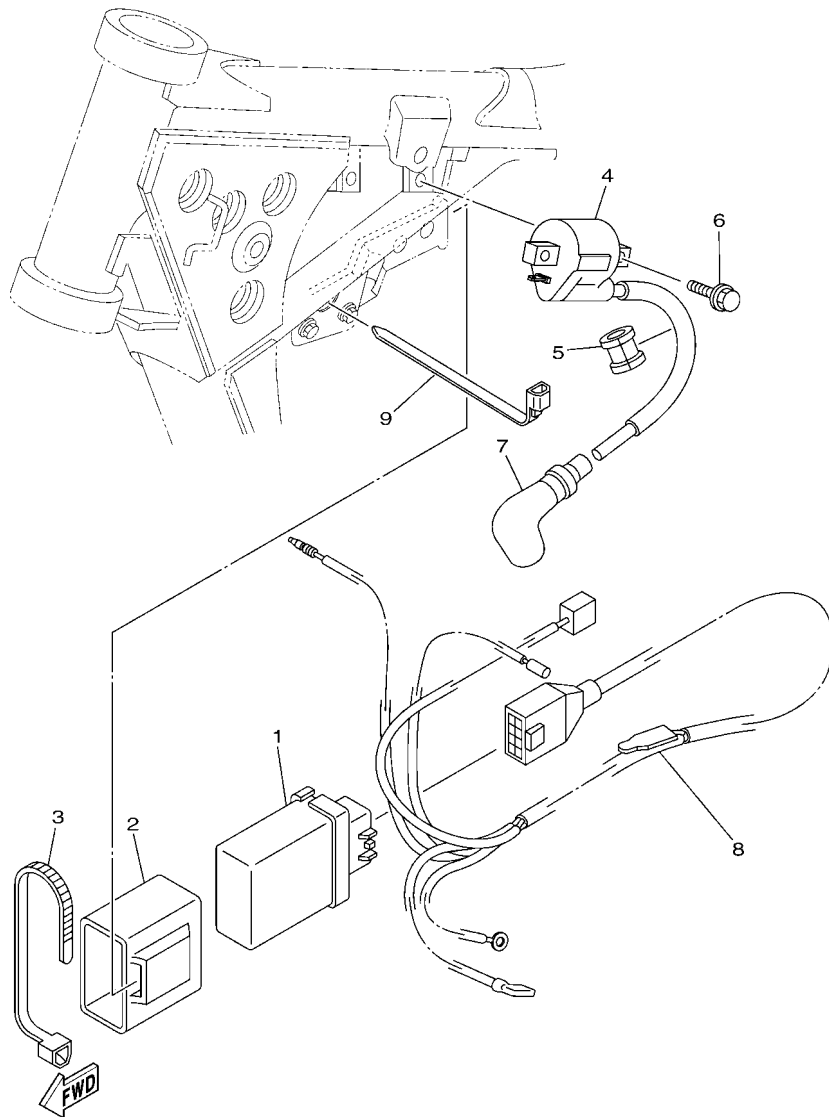


**FIG. 34 HANDLE SWITCH & LEVER**

REF. NO.	PART NO.	DESCRIPTION	BOG1				REMARKS
1	17D-82911-00	HOLDER, LEVER 1	1				
2	1SS-83912-00	LEVER 1	1				
3	90109-06034	BOLT	1				
4	5LP-84126-10	NUT, LENS FITTING	1				
5	17D-26337-00	BOLT, ADJUSTING	1				
6	95302-05600	NUT, HEXAGON	1				
7	90101-05005	BOLT	1				
8	34P-26372-00	COVER, HANDLE LEVER 1	1				
9	33D-82913-00	HOLDER, LEVER LOWER 1	1				
10	95022-06020	BOLT, FLANGE	2				
11	BR8-83976-00	SWITCH, HANDLE 1	1				
12	90464-13077	CLAMP	1				(95.0X7.0)
13	90464-13073	CLAMP	1				(125.0x7.0)
14	90464-12013	CLAMP	1				
15	5XC-26124-90	PROTECTOR, HANDLEBAR	1				
16	17D-26143-H0	COVER, HANDLE UPPER 1	1				



B4B1110-U340

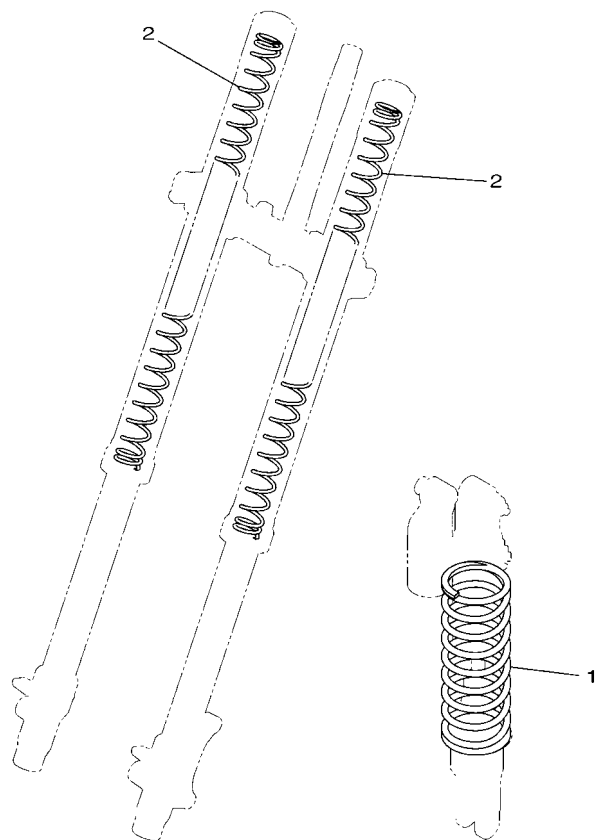


B4B1110-U350

FIG. 35 ELECTRICAL 1

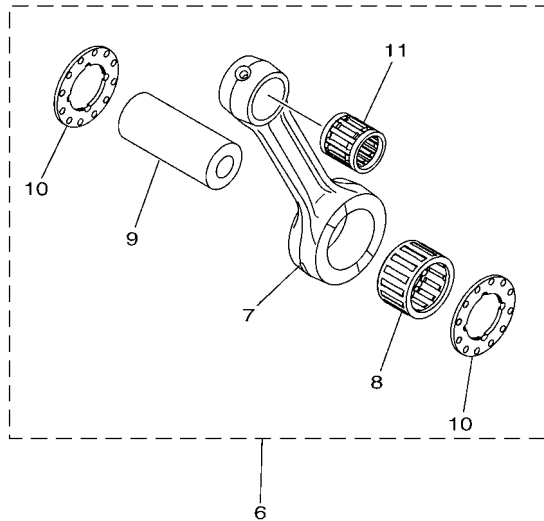
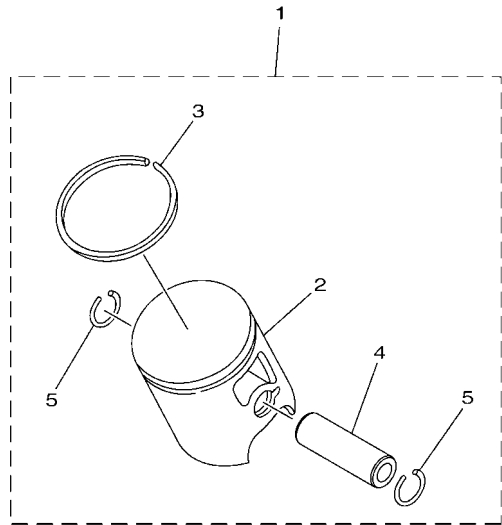
REF. NO.	PART NO.	DESCRIPTION	BOG1	REMARKS
1	B0G-85540-00	C.D.I. UNIT ASSY	1	
2	5PA-85546-00	BAND	1	
3	90460-15126	CLAMP, HOSE	1	
4	4JG-82310-00	IGNITION COIL ASSY	1	
5	90480-11015	GROMMET	1	
6	90105-06180	BOLT, FLANGE	2	
7	8DG-82370-00	PLUG CAP ASSY	1	
8	B4B-82509-00	WIRE, SUB LEAD	1	
9	90464-13073	CLAMP	1	(125.0x7.0)

FIG. 36 ALTERNATE FOR CHASSIS



  
B4B1110-U360

REF. NO.	PART NO.	DESCRIPTION	BOG1				REMARKS
1	4ES-22212-G0	SPRING (K=47N/MM)	1				AP
	4ES-22212-H0	SPRING (K=51N/MM)	1				AP
2	4ES-23141-80	SPRING, FRONT FORK(K=2.8N/MM)	1				AP
	4ES-23141-60	SPRING, FRONT FORK(K=2.9N/MM)	1				AP
	4ES-23141-70	SPRING, FRONT FORK(K=3.0N/MM)	1				AP
-----							
-----							
-----							
-----							
-----							
-----							
-----							



B4B1110-U370

FIG. 37 OPTIONAL PARTS 1

REF. NO.	PART NO.	DESCRIPTION	BOG1				REMARKS
1	5PA-11630-10	PISTON ASSY (0.25MM O/S)	1				
2	5PA-11631-10-B0	.PISTON (STD)	1				ORANGE
3	5PA-11611-00	.RING, PISTON	1				
4	4ES-11633-00	.PIN, PISTON	1				
5	93450-16115	.CIRCLIP	2				
6	B4B-11650-00	CONNECTING ROD ASSY	1				
7	B4B-11651-00	.ROD, CONNECTING	1				
8	93310-420B1	.BEARING	1				
9	2RA-11681-00	.PIN, CRANK 1	1				
10	90209-20159	.WASHER	2				
11	93310-21417	.BEARING	1				

NUMERICAL INDEX

PART NO.	REF. NO.	PART NO.	REF. NO.	PART NO.	REF. NO.	PART NO.	REF. NO.	PART NO.	REF. NO.	PART NO.	REF. NO.
B4B-11111-00	1 - 1	B4B-12481-00	4 - 10	4MX-14943-86	7 - 22	164-17427-00-08	13 - 20	5PA-22475-00	19 - 33	BR8-23435-00	21 - 5
4JY-11166-00	1 - 23	4ES-12481-10	5 - 5	4MX-14943-87	7 - 22	164-17427-00-10	13 - 20	B0G-23102-00	22 - 1	18P-23441-00	21 - 9
B4B-11311-00	1 - 8	B4B-12577-00	5 - 7	4MX-14943-87	7 - 30	5PA-18101-00	15 - 1	B0G-23103-00	22 - 19	BR9-23442-00	21 - 10
B4B-1131D-00	1 - 14	353-13115-01	9 - 8	4MX-14948-05	7 - 8	2HF-18110-02	15 - 9	B4B-23110-00	22 - 21	17D-23466-00	22 - 44
4SS-1131M-01	1 - 22	BR8-13565-00	6 - 7	4MX-14948-06	7 - 8	5PA-1811E-00	15 - 6	BR8-23111-00	22 - 17	17D-23467-00	22 - 45
5HD-1131V-00	1 - 17	BR8-13610-00	6 - 1	5PA-1496A-00	7 - 29	5PA-18140-00	15 - 7		22 - 35	1SN-23485-01	21 - 15
B4B-1132D-00	1 - 15	BR8-13613-00	6 - 2	5PA-14984-00	7 - 4	4ES-18511-02	14 - 2	B4B-23113-00	21 - 13	5PA-24110-30	23 - 1
B4B-11351-00	1 - 9	4ES-13616-00	6 - 3	5PA-14985-00	7 - 3	5R2-18512-00	14 - 3	B4B-23120-00	22 - 3	4EW-2412F-00	23 - 7
1C3-11354-00	1 - 25	BR8-13625-00	6 - 6	B4B-15111-00	9 - 1	4ES-18513-01	14 - 4	5PA-23125-00	22 - 5	3HA-24141-00	16 - 18
5UN-11395-00	1 - 20	5PA-14101-30	7 - 1	5PA-15118-00	9 - 10	4BA-18531-00	14 - 6		22 - 23	5XE-24144-00	23 - 2
B4B-11400-00	3 - 1	5PA-14105-00	7 - 13	B4B-15121-00	9 - 2	4BA-18535-00	14 - 7	3JD-2312G-L0	22 - 18	5PA-24181-00	23 - 25
B4B-11410-00	3 - 2	5PA-1410E-00	7 - 18	3Y1-15363-10	10 - 10	BR8-18540-00	14 - 1		22 - 36	5PA-24182-00	23 - 20
B4B-11420-00	3 - 3	4MX-14115-00	7 - 5	4ES-15411-02	10 - 1	5PA-21101-13	16 - 1	B4B-23136-00	22 - 2	B4B-24240-00	23 - 26
5PA-11611-00	3 - 10	5PA-14126-00	7 - 12	5PA-15415-11	10 - 12	5PA-21190-02	16 - 2		22 - 20	B4B-24311-00	23 - 22
	37 - 3	5PA-14131-00	7 - 14	BR8-15431-00	10 - 4	5PA-21274-10	16 - 16	4LB-23141-10	22 - 15	3XJ-24380-00	23 - 11
5PA-11630-10	37 - 1	3TJ-14137-40	7 - 21	5PA-15451-00	10 - 3	1SN-21510-00	17 - 1		22 - 33	4DP-24500-10	23 - 13
5PA-11631-10-A0	3 - 8	5PA-14146-00	7 - 28	BR8-15461-00	10 - 5	5PA-21611-00	17 - 6	4ES-23141-60	36 - 2	4X8-24512-10	23 - 16
5PA-11631-10-B0	3 - 8	5PA-14159-00	7 - 15	5PA-15463-00	10 - 13	4ES-21642-00	17 - 11	4ES-23141-70	36 - 2	3AC-24523-00	23 - 17
	37 - 2	4JT-14171-00	7 - 2	BR8-15620-00	11 - 11	1SN-21710-00	18 - 1	4ES-23141-80	36 - 2	3AJ-24534-10	23 - 14
5PA-11631-10-C0	3 - 8	5PA-14194-00	7 - 25	BR8-15621-00	11 - 12	1SL-21719-00	18 - 9	B4B-23142-00	22 - 13	5NY-24610-10	23 - 9
5PA-11631-10-DO	3 - 8	4XL-14197-10	7 - 19	5PA-15641-00	11 - 2	1SN-21720-00	18 - 6		22 - 31	1SN-2470F-10	24 - 2
4ES-11633-00	3 - 9	5PA-14340-00	7 - 11	5PA-15651-00	11 - 8	5PH-2172A-11	18 - 16	4ES-23144-00	22 - 9	5PA-24718-00	24 - 3
	37 - 4	5PA-14392-00	7 - 7	5PA-15660-00	11 - 1	1SN-21730-00	18 - 12		22 - 27	5PA-24728-00	24 - 4
B4B-11650-00	37 - 6	5PA-14411-10	6 - 17	4ES-15664-00	11 - 6	5PA-21748-00	18 - 14	4ES-23145-00	22 - 7	1SN-24770-10	24 - 1
B4B-11651-00	3 - 4	5PA-14417-00	6 - 23	BR8-16111-00	12 - 1	B4B-2174G-00	18 - 17		22 - 25	4LB-25104-00	25 - 6
	37 - 7	5PA-14451-00	6 - 18	5PA-16150-10	12 - 4	5FK-2175C-30	17 - 14	5K5-23149-00	22 - 6	4ES-25111-01	25 - 1
2RA-11681-00	3 - 6	5PA-14453-00	6 - 11	5PA-16181-00	12 - 21	B0G-22110-00	19 - 1		22 - 24	4ES-25181-00	25 - 11
	37 - 9	5PA-14458-00	6 - 19	21V-16321-00	12 - 10	BR8-22141-00	19 - 3	5PA-23149-00	22 - 16	BR8-25183-00	25 - 14
4SS-11832-00	1 - 18	5PA-14459-00	6 - 12	4ES-16321-00	12 - 9	5PA-22151-00	19 - 12		22 - 34	1T1-25194-00	25 - 7
5CU-11911-00	2 - 19	4ES-14462-00	6 - 13	131-16324-00	12 - 8	5PA-22176-00	19 - 32	4A1-23156-00	22 - 8	4LB-25304-00	27 - 8
5CU-11912-00	2 - 18	676-14548-00	7 - 20	2TK-16351-00	12 - 7	30X-22178-00	16 - 9		22 - 26	4ES-25311-00	27 - 1
4JY-11915-10	2 - 1	4MX-14561-00	7 - 6	4ES-16356-00	12 - 15	4ES-22178-01	16 - 13	2HH-23158-L0	22 - 12	BR8-25381-00	27 - 17
	11 - 18	B4B-14610-00	8 - 1	5PA-16357-00	12 - 16	B4B-2217A-00	19 - 21		22 - 30	4ES-25383-00	27 - 2
5X4-11921-02	2 - 11	17W-14615-00	8 - 5	5PA-16371-10	12 - 6	4ES-2217F-00	19 - 36	B4B-2315H-00	22 - 41	BR8-25383-00	27 - 23
3JE-11922-01	2 - 8	4ES-1469A-00	8 - 13	4ES-16381-00	12 - 20	4V4-22184-00	16 - 10	B4B-2315J-00	22 - 42	BR8-25389-00	27 - 19
5CU-11952-00	2 - 14	4ES-14753-30	8 - 12	4ES-17121-01	13 - 5	5PA-22184-00	19 - 34	B0G-2316A-00	22 - 11	1T2-25394-00	27 - 9
BR8-11953-00	2 - 12	565-14771-00	8 - 3	4ES-17131-10	13 - 3	BR8-22199-00	19 - 15		22 - 29	5PA-25451-00	27 - 13
B4B-11990-00	2 - 3	5PA-14916-HF	7 - 9	4ES-17151-10	13 - 2	B0G-22200-00	20 - 1	B4B-23170-00	22 - 10	5PA-25452-00	27 - 13
B4B-11991-00	1 - 29	5PA-14916-HG	7 - 9	4ES-17161-10	13 - 4	B0G-22201-00	20 - 2		22 - 28	5PA-25453-00	27 - 13
B4B-11993-00	1 - 30	5PA-14916-HH	7 - 9	BR8-17211-00	13 - 17	4ES-22212-F0	20 - 8	5PA-23171-00	22 - 4	5CG-25715-00	30 - 8
BR8-11995-00	1 - 33	5PA-14916-PF	7 - 9	1SN-17221-00	13 - 12	4ES-22212-G0	36 - 1		22 - 22	5PA-2580T-00	26 - 3
BR8-12422-00	4 - 9	5PA-14916-PG	7 - 9	4ES-17231-20	13 - 14	4ES-22212-H0	36 - 1	BR8-2331E-00	22 - 39	5PA-2580W-00	28 - 3
BR8-12428-00	4 - 13	5PA-14916-PH	7 - 9	5PA-17241-10	13 - 15	3JD-22214-00	20 - 7	BR8-23340-00	22 - 37	3GD-25827-00	28 - 9
5PA-12451-00	4 - 4	4MX-14919-00	7 - 10	B4B-17251-00	13 - 16	4ES-22214-00	20 - 4	5PA-23346-00	22 - 38	2VN-2582A-50	32 - 5
5PA-12459-00	4 - 1	5HC-14922-00	7 - 23	5PA-17261-01	13 - 13	4ES-22216-00	20 - 3	3XJ-23357-L0	22 - 14	B4B-2582T-00	26 - 1
5PA-12461-00	5 - 1	5HC-14934-00	7 - 24	5PA-17411-00	13 - 1	4ES-22251-00	20 - 5		22 - 32	B4B-2582W-00	28 - 1
22W-12462-00	5 - 2	4MX-14943-36	7 - 22	BR8-17421-00	13 - 11	5PA-22253-00	19 - 35	5TJ-23389-80	22 - 47	5MV-25833-00	30 - 14
22W-12463-00	5 - 3	4MX-14943-37	7 - 22	164-17427-00-06	13 - 20	4AA-22259-40	20 - 6	1J7-23415-00	21 - 3	4ES-2583V-00	32 - 1



NUMERICAL INDEX

PART NO.	REF. NO.	PART NO.	REF. NO.	PART NO.	REF. NO.	PART NO.	REF. NO.	PART NO.	REF. NO.	PART NO.	REF. NO.
5MV-25852-01	30 - 6	5PG-2816R-00	17 - 13	90109-06232	22 - 43	90201-05021	2 - 5	90267-48138	6 - 14	90450-56004	6 - 10
3XP-25852-50	32 - 11	14B-28227-00	5 - 15		22 - 46	90201-06045	8 - 15	90280-03045	3 - 13	90450-99064	6 - 16
5XE-25853-00	30 - 9	4JG-82310-00	35 - 4	90109-06232	6 - 22	90201-06060	11 - 21	90336-06031	11 - 16	90460-15126	35 - 3
2VN-25854-00	32 - 12	8DG-82370-00	35 - 7	90109-12015	19 - 30		13 - 9	90338-10150	19 - 2	90461-10136	9 - 12
5XE-25854-00	30 - 5	B4B-82509-00	35 - 8	90110-05034	22 - 48	90201-06077	17 - 5	90380-12219	19 - 29	90464-12013	34 - 14
2VN-25855-00	32 - 13	17D-82911-00	34 - 1	90110-06182	13 - 10	90201-06086	8 - 8	90381-12091	19 - 39	90464-13073	33 - 6
2VN-25866-00	32 - 4	33D-82913-00	34 - 9	90111-05052	11 - 19	90201-08043	27 - 12	90385-17042	19 - 6		34 - 13
5MV-25867-00	30 - 13	1SS-83912-00	34 - 2	90111-08029	28 - 15		28 - 16	90387-05065	22 - 49		35 - 9
5NY-25868-00	30 - 4	5MV-83922-00	30 - 10	90116-08027	1 - 5	90201-08078	16 - 11	90387-06009	18 - 2	90464-13077	34 - 12
B0G-25872-00	30 - 1	BR8-83976-00	34 - 11	90116-08028	1 - 11	90201-08083	32 - 15		18 - 7	90464-25004	5 - 13
B0G-25873-00	32 - 19	5LP-84126-10	34 - 4	90116-08031	1 - 10	90201-080L8	1 - 7		18 - 13		33 - 7
1C3-25886-50	32 - 22	B0G-85540-00	35 - 1	90119-05001	12 - 12	90201-08512	4 - 2	90387-06027	23 - 5	90464-65001	23 - 21
4EW-25894-00	32 - 10	5PA-85546-00	35 - 2	90119-06133	8 - 4		4 - 5	90387-06065	5 - 12	90467-08002	5 - 4
4ES-25895-01	32 - 8	4SS-85550-11	33 - 2		8 - 11	90201-10033	31 - 11	90387-06168	8 - 17	90467-09002	23 - 24
5MV-2589F-00	30 - 11	5PA-85560-01	33 - 1		17 - 7		31 - 16	90387-06180	19 - 14	90467-10008	23 - 23
34X-25914-00	26 - 13	5NY-W0041-01	30 - 3	90119-06200	16 - 14	90201-10045	16 - 7	90387-06207	19 - 16	90467-11044	32 - 9
3GD-25916-00	28 - 13	1FK-W0042-50	32 - 2	90119-06217	18 - 5		21 - 11	90387-06259	17 - 2	90467-13062	1 - 24
1UY-25917-51	28 - 11	5PA-W0045-00	26 - 11		18 - 11	90201-10591	33 - 5	90387-064T3	16 - 15	90468-23194	11 - 3
56A-25919-00	26 - 9	5PA-W0046-50	28 - 8	90119-06239	5 - 14	90201-11016	20 - 12	90387-064X4	17 - 8	90480-11015	35 - 5
56A-25919-10	26 - 10	4ES-W0047-00	28 - 5		17 - 12	90201-12032	19 - 5	90387-0701A	17 - 9	90480-15528	5 - 11
1UY-25919-51	28 - 6	4ES-W0047-10	26 - 5	90119-06240	18 - 4	90201-12047	19 - 42	90387-085E1	2 - 4	90480-16561	8 - 16
4ES-25920-01	28 - 14	51L-W0048-00	26 - 8		18 - 10	90201-12049	19 - 43	90387-08785	1 - 28	90480-18411	8 - 6
56A-25926-00	26 - 12	1UY-W0048-50	28 - 7	90119-06262	5 - 10	90201-12055	25 - 13	90387-09002	19 - 17	90480-18549	23 - 4
3GD-25933-00	28 - 10	4ES-W0057-10	26 - 4		23 - 6	90201-124F8	11 - 9	90387-1001B	18 - 3	90501-12081	11 - 13
56A-25937-00	26 - 7	4EW-W0057-50	28 - 4	90122-06010	6 - 21	90201-14411	27 - 20		18 - 8	90501-204A0	12 - 11
5R2-25937-00	26 - 6	5XE-W2587-00	30 - 2	90149-05001	1 - 16	90201-150U6	2 - 15	90387-10116	19 - 23	90501-260A2	2 - 13
1UY-25937-51	28 - 12	90101-05005	34 - 7	90149-06108	23 - 19	90201-15701	31 - 5	90387-105L0	8 - 7	90506-15480	31 - 3
BR8-26111-00	29 - 1	90101-08006	27 - 21	90149-06327	26 - 2	90201-171G6	12 - 22	90387-107T9	2 - 22	90506-20018	8 - 10
5XC-26124-90	34 - 15	90101-12755	19 - 40	90151-06051	28 - 2	90201-17545	13 - 8	90387-1200U	19 - 10	90508-14016	12 - 23
17D-26143-H0	34 - 16	90105-05014	2 - 6	90152-08001	27 - 10	90201-17558	12 - 5	90387-124H0	25 - 2	90508-16134	1 - 27
4GY-26241-00	29 - 4	90105-06064	18 - 15	90157-05026	32 - 23	90201-176L4	11 - 4	90387-127J7	19 - 9	90508-24007	15 - 3
4GY-26242-00	29 - 2		21 - 16	90176-08005	1 - 6	90201-177G4	15 - 5	90387-127J8	19 - 8	90508-26750	11 - 5
22W-26243-00	29 - 3	90105-06090	32 - 17	90179-08019	1 - 13	90201-20611	13 - 22	90387-152F2	2 - 16	90508-282B8	31 - 8
5X2-26281-00	29 - 5	90105-06127	17 - 4	90179-08029	27 - 22	90201-220T0	21 - 6	90387-202A0	13 - 29	90508-282B9	31 - 15
322-26282-00	29 - 6	90105-06180	35 - 6	90179-10024	16 - 8	90201-256K5	21 - 2	90387-227H7	29 - 10	90508-32016	15 - 2
5X2-2628H-01	29 - 7	90105-06203	33 - 3		20 - 10	90202-05193	23 - 18	90401-10172	30 - 16	91312-04008	2 - 9
B4B-26311-00	29 - 11	90105-06210	17 - 3	90179-10M35	33 - 4	90208-12015	12 - 2		32 - 20	91312-04010	1 - 19
B4B-26335-00	29 - 12	90105-08126	9 - 11	90179-12007	12 - 3		12 - 13	90430-06166	4 - 14	91342-06040	9 - 4
17D-26337-00	34 - 5	90105-08137	26 - 14		12 - 14	90209-06096	6 - 20	90430-08119	10 - 9	91342-06050	9 - 5
34P-26342-00	29 - 13	90105-08154	21 - 14	90179-16016	13 - 31	90209-14008	13 - 7	90430-10005	30 - 15	91342-06060	9 - 6
34P-26372-00	34 - 8	90105-08307	16 - 3	90179-22025	21 - 7	90209-16209	13 - 18		32 - 21	91342-06070	9 - 7
5NY-26372-00	30 - 17	90105-10174	16 - 6	90179-25004	21 - 4	90209-20159	3 - 7	90445-08376	9 - 9	91401-16012	32 - 16
5PA-27211-00	31 - 1	90105-10220	16 - 5	90183-060A7	17 - 10		37 - 10	90445-09003	23 - 10	91401-20025	31 - 4
2YK-27222-00	32 - 6	90105-10390	20 - 9	90185-08008	27 - 11	90215-20261	13 - 30	90445-09005	23 - 12	91401-25015	31 - 10
5SH-27311-00	31 - 6	90105-10582	19 - 25	90185-12010	25 - 12	90240-08124	32 - 14	90450-25001	5 - 6		31 - 14
5ET-27411-00	31 - 7	90105-10614	20 - 11	90185-12011	19 - 41	90240-10004	31 - 9		5 - 9	92902-03100	6 - 5
5ET-27421-00	31 - 12	90109-06034	34 - 3	90185-14009	27 - 18		31 - 13	90450-28001	5 - 8	92902-05600	1 - 32
1RH-28166-00	25 - 15	90109-060E9	8 - 14	90201-043H7	6 - 15	90250-06013	14 - 5	90450-43002	6 - 9	92903-04600	7 - 17

NUMERICAL INDEX

PART NO.	REF. NO.	PART NO.	REF. NO.	PART NO.	REF. NO.	PART NO.	REF. NO.	PART NO.	REF. NO.	PART NO.	REF. NO.
92903-04600	7 - 27	93410-20038	13 - 19	95E32-06060	4 - 16						
92907-06100	24 - 6	93440-07182	4 - 3	95E32-06070	4 - 15						
93101-12173	15 - 8	93440-15012	13 - 21	95E32-06070	16 - 12						
93101-17062	19 - 28	93440-17064	13 - 6	95E32-08040	21 - 8						
	19 - 38	93450-16115	3 - 11	95E32-08055	19 - 18						
93102-12106	4 - 7		37 - 5	95E32-08080	10 - 8						
93102-12224	12 - 19	93503-16003	12 - 17	97002-05020	1 - 31						
93102-17263	11 - 7	93507-16020	2 - 20	97007-06012	24 - 5						
93102-20009	27 - 5	93507-32009	11 - 14	98502-03006	6 - 4						
93102-20485	3 - 16	93603-14240	2 - 21	98502-05012	2 - 2						
93102-22087	25 - 4	93603-16219	11 - 17	98502-05016	29 - 9						
93102-26042	13 - 27	9382A-14227	13 - 28	98502-06030	10 - 2						
93104-08040	1 - 21	9382A-15228	13 - 28	98504-04012	7 - 26						
	2 - 7	94107-19024	25 - 8	98504-04014	7 - 16						
93109-11073	4 - 6	94109-16024	27 - 14	98507-03008	23 - 15						
93109-17071	19 - 11	94207-19290	25 - 9	98702-04012	29 - 8						
	19 - 24	94209-16291	27 - 15	98702-06025	23 - 8						
93210-11073	31 - 2	94307-16171	27 - 16	98706-04012	30 - 7						
93210-12152	11 - 15	94307-19170	25 - 10	98902-05016	1 - 26						
93210-132A7	4 - 11	94414-19013	25 - 5	99009-10400	14 - 8						
93210-15620	32 - 3	94418-16006	27 - 7	99009-12400	11 - 10						
93210-19123	10 - 11	94682-43001	27 - 25	99009-17400	15 - 4						
93210-40745	8 - 2	94702-00368	1 - 2	99009-35500	27 - 6						
93210-56459	1 - 3	95022-06020	34 - 10	99530-08016	10 - 14						
93210-84724	1 - 4	95302-05600	34 - 6	99530-10014	9 - 3						
93300-60801	2 - 10	95307-08600	32 - 7		10 - 6						
93306-00105	4 - 8	95602-08200	19 - 19	99590-10114	1 - 12						
93306-00203	27 - 3	95602-10200	19 - 26	9Y582-43123	27 - 24						
93306-20103	25 - 3		21 - 12								
93306-20203	27 - 4	95602-12200	19 - 31								
93306-20333	13 - 23	95612-12100	19 - 4								
93306-20401	13 - 26	95701-06500	30 - 12								
93306-20438	3 - 14	95812-08125	16 - 4								
93306-30421	3 - 15	95814-06020	15 - 10								
93310-21417	3 - 12	95D02-06016	19 - 20								
	37 - 11	95E32-06012	11 - 20								
93310-420B1	3 - 5		16 - 17								
	37 - 8		32 - 18								
93315-11206	12 - 18	95E32-06014	19 - 13								
93315-31502	13 - 25	95E32-06016	4 - 12								
93315-31759	19 - 22		6 - 8								
93317-11245	13 - 24		23 - 3								
93317-21746	19 - 7	95E32-06025	4 - 17								
93317-31771	19 - 27		8 - 9								
	19 - 37		8 - 18								
93332-00079	21 - 1		10 - 15								
	22 - 40	95E32-06030	10 - 7								
93340-21505	2 - 17	95E32-06035	10 - 16								