



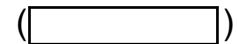
# PARTS CATALOGUE

**XTZ12EJ** ( BP94 ) U49

**XTZ12EJC** ( BP95 ) CALIFORNIA



1TBP9-110E1



XTZ12EJ/XTZ12EJC  
PARTS CATALOGUE  
©2017 by Yamaha Motor Co., Ltd.  
1st edition, September 2017  
All rights reserved.  
Any reprinting or unauthorized use  
without the written permission of  
Yamaha Motor Co., Ltd.  
is expressly prohibited.  
Printed in Japan.

# FOREWORD

This Parts Catalogue is related to the parts for the model(s) on the cover page. When you are ordering replacement parts, please refer to this Parts Catalogue and quote both part numbers and part names correctly.

1. Modifications or additions which have been made after the issue of the Parts Catalogue will be announced in the Parts News.  
It is advisable that you make the necessary corrections to the Parts Catalogue according to the Parts News.

2. Abbreviations

The following abbreviations are used in this Parts Catalogue.

“UR” Use specified parts number.

“UN” Use as many as needed.

“AP” Alternate Parts

“LM” Locally Made (Parts need to be ordered locally)

“F#” Frame No. (Applicable machine No.)

“O/S” Over Size

3. The number of components for assembly

- Parts, which are to be supplied in an assembly, are listed with a dot (.) in front of the part name as shown below.
- The numeral appearing to the right of each component part indicates the quantity of parts for each assembly unit.

PART NO.	DESCRIPTION	Q'TY	REMARKS
2F5-83310-60	FRONT FLASHER LIGHT ASSY	2	
115-83311-60	.BULB (6V-18W)	1	

4. Applicable colours of graphics are represented in the “REMARKS” as shown below.

PART NO.	DESCRIPTION	Q'TY	REMARKS
2N4-24110-00-X5	FUEL TANK COMP.	2	MXR
3J1-24240-10	.GRAPHIC, FUEL TANK	1	FOR MXR

5. Note that the illustrations for reference in finding parts numbers are not to be used for assembling. When assembling, please use the applicable service manual.

6. The asterisk (\*) before a reference number indicates modified items after the first edition.





# CONTENTS

## ENGINE

CYLINDER HEAD.....	1
CYLINDER.....	2
CRANKSHAFT & PISTON.....	3
VALVE.....	5
CAMSHAFT & CHAIN.....	7
WATER PUMP.....	8
RADIATOR & HOSE.....	9
OIL PUMP.....	10
INTAKE.....	12
INTAKE 2.....	14
EXHAUST.....	15
CRANKCASE.....	16
CRANKCASE COVER 1.....	18
STARTER CLUTCH.....	20
CLUTCH.....	21
TRANSMISSION.....	23
MIDDLE DRIVE GEAR.....	25
SHIFT CAM & FORK.....	27
SHIFT SHAFT.....	28

## CHASSIS

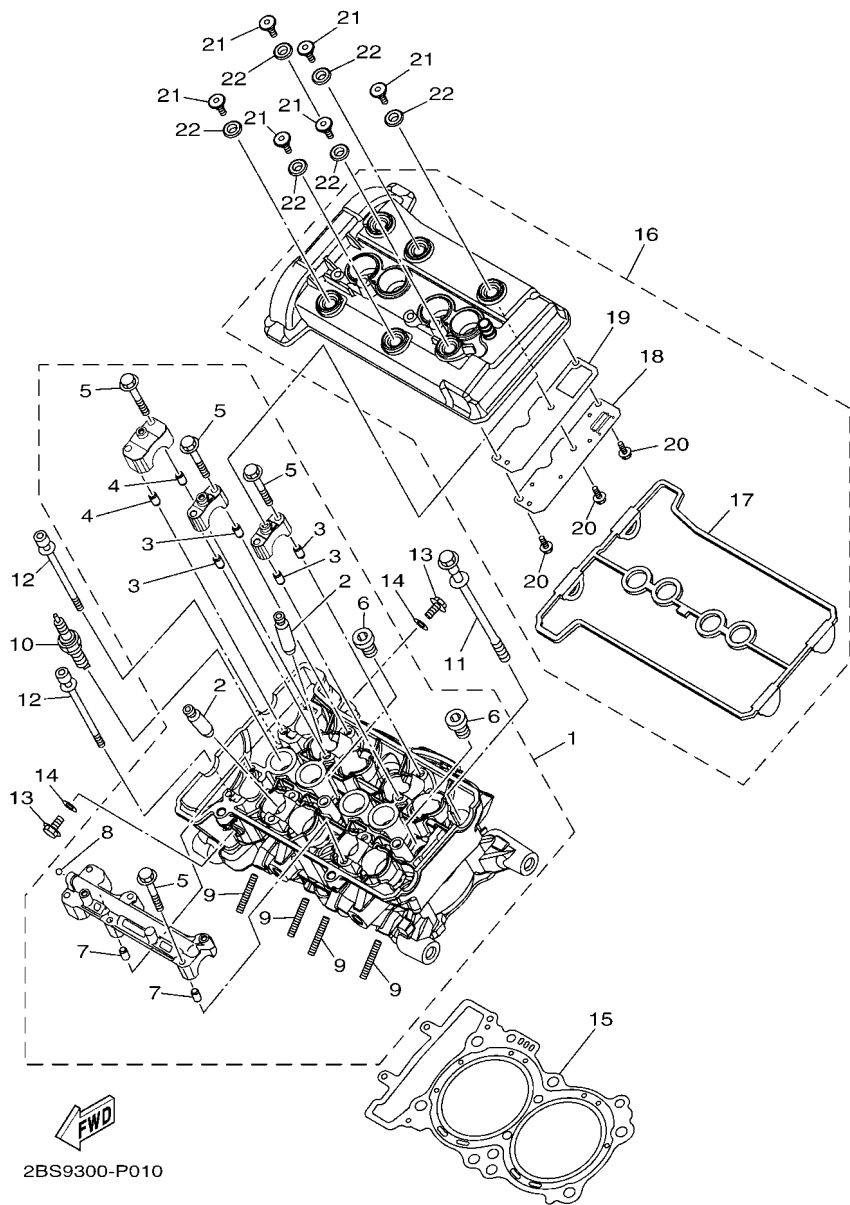
FRAME.....	29
FENDER.....	30
SIDE COVER.....	32
REAR ARM & SUSPENSION.....	34
DRIVE SHAFT.....	37
FRONT FORK.....	40
STEERING.....	42
FUEL.....	43
SEAT.....	45
FRONT WHEEL.....	47
FRONT BRAKE CALIPER.....	48
REAR WHEEL.....	50
REAR BRAKE CALIPER.....	51
STEERING HANDLE & CABLE.....	52
FRONT MASTER CYLINDER.....	54
FRONT MASTER CYLINDER 2.....	56
STAND & FOOTREST.....	57
REAR MASTER CYLINDER.....	60

WINDSHIELD.....	62
COWLING.....	65
GENERATOR.....	68
STARTING MOTOR.....	69
FLASHER LIGHT.....	70
METER.....	71
HEADLIGHT.....	72
TAILLIGHT.....	73
HANDLE SWITCH & LEVER.....	74
ELECTRICAL 1.....	75
ELECTRICAL 2.....	77
ELECTRICAL 3.....	79

## INDEX

NUMERICAL INDEX.....	80
----------------------	----

**FIG. 1 CYLINDER HEAD**

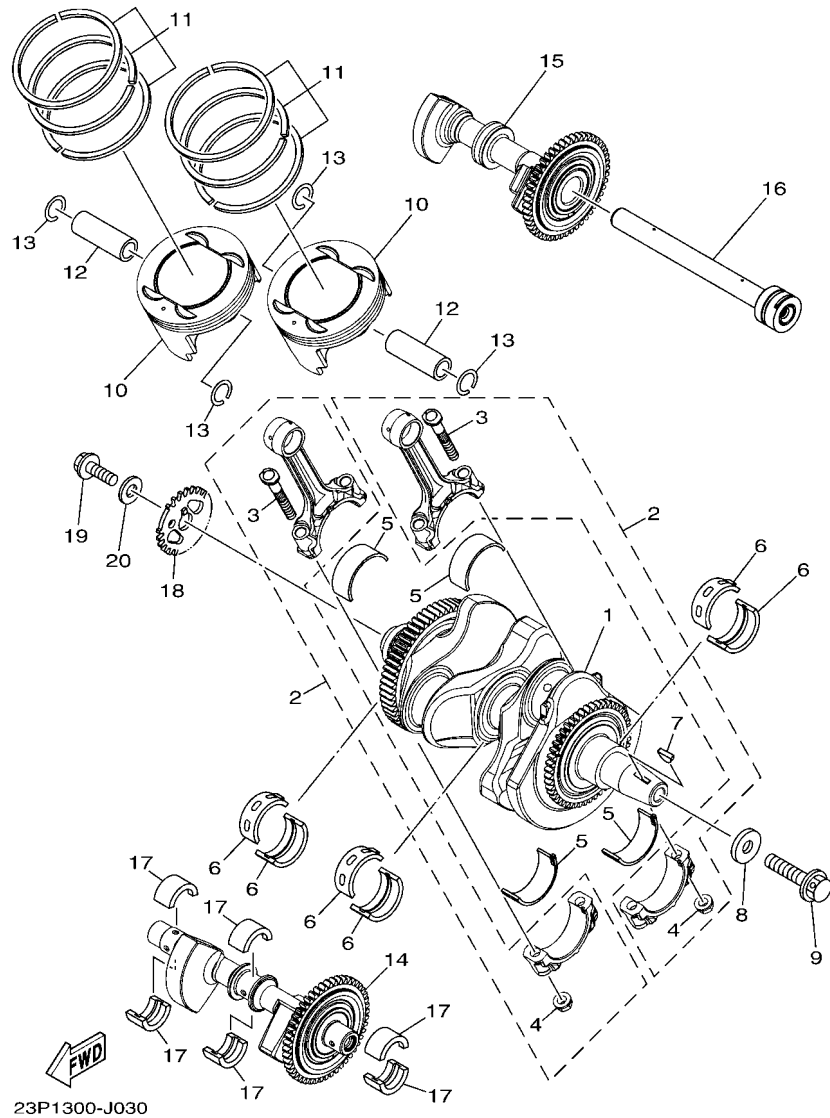


2BS9300-P010

REF. NO.	PART NO.	DESCRIPTION	BP94	BP95			REMARKS
1	2BS-11101-09	CYLINDER HEAD ASSY	1	1			
2	23P-11133-10	.GUIDE, VALVE 1	8	8			
3	91808-16023	.PIN, DOWEL	4	4			
4	91808-16023	.PIN, DOWEL	2	2			
5	90105-06027	.BOLT, FLANGE	12	12			
6	90340-12007	.PLUG, STRAIGHT SCREW	2	2			
7	91808-16023	.PIN, DOWEL	2	2			
8	93501-04011	.BALL	1	1			
9	95612-08625	.BOLT, STUD	4	4			
10	94702-00428	PLUG, SPARK (NGK CPR8EB-9)	4	4			
11	90119-12003	BOLT, WITH WASHER	6	6			
12	90110-06229	BOLT, HEXAGON SOCKET HEAD	2	2			
13	95022-08012	BOLT, FLANGE	2	2			
14	90430-08119	GASKET	2	2			
15	23P-11181-00	GASKET, CYLINDER HEAD 1	1	1			
16	2BS-11190-01	COVER, CYLINDER HEAD 1	1	1			
17	23P-11193-00	.GASKET, HEAD COVER 1	1	1			
18	2BS-11165-00	.PLATE, BREATHER	1	1			
19	23P-11169-00	.GASKET, BREATHER COVER	1	1			
20	90105-06201	.BOLT, FLANGE	3	3			
21	90109-066F0	BOLT	6	6			
22	5VY-1111G-00	RUBBER, MOUNT 1	6	6			



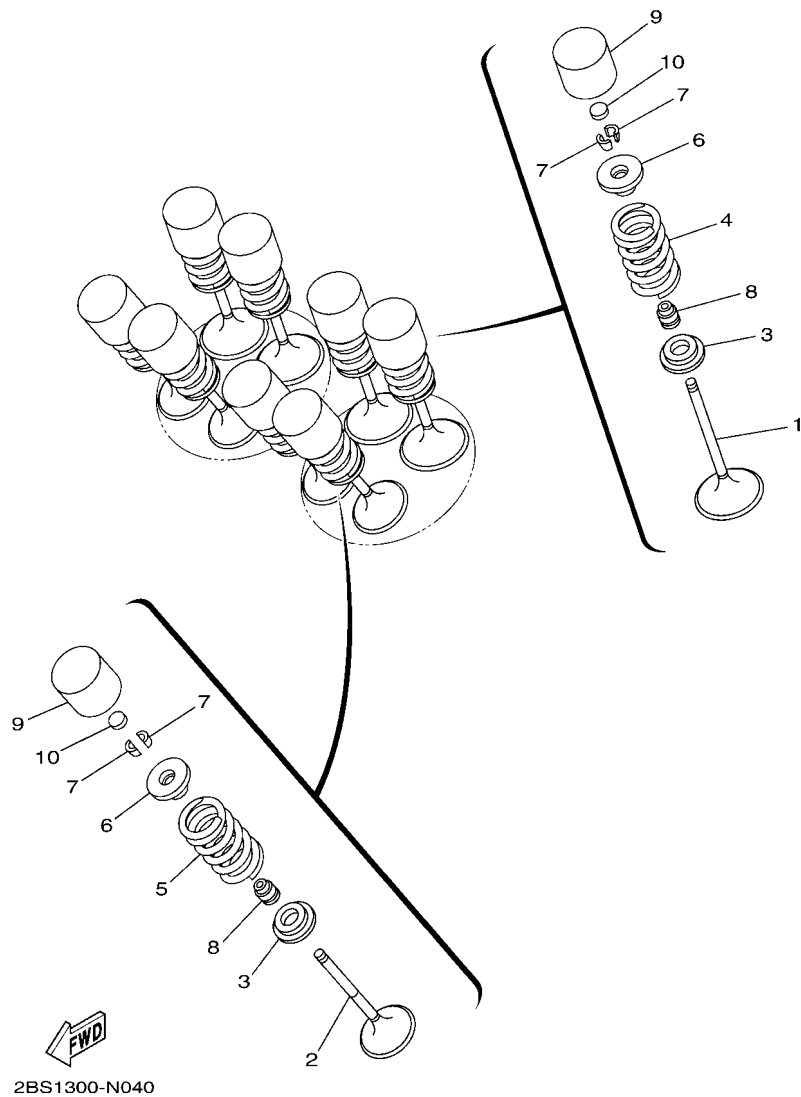




**FIG. 3 CRANKSHAFT & PISTON**

REF. NO.	PART NO.	DESCRIPTION	BP94	BP95	REMARKS
1	23P-11400-00	CRANKSHAFT ASSY	1	1	
2	23P-11650-00	CONNECTING ROD ASSY	2	2	
3	23P-11654-00	.BOLT, CONNECTING ROD	2	2	
4	90179-09379	.NUT	2	2	
5	23P-11656-00	PLANE BEARING, CONNECTING ROD	4	4	UR BLUE
	23P-11656-10	PLANE BEARING, CONNECTING ROD	4	4	UR BLACK
	23P-11656-20	PLANE BEARING, CONNECTING ROD	4	4	UR BROWN
	23P-11656-30	PLANE BEARING, CONNECTING ROD	4	4	UR GREEN
6	23P-11416-00	PLANE BEARING, CRANKSHAFT 1	6	6	UR BLUE
	23P-11416-10	PLANE BEARING, CRANKSHAFT 1	6	6	UR BLACK
	23P-11416-20	PLANE BEARING, CRANKSHAFT 1	6	6	UR BROWN
	23P-11416-30	PLANE BEARING, CRANKSHAFT 1	6	6	UR GREEN
	23P-11416-40	PLANE BEARING, CRANKSHAFT 1	6	6	UR YELLOW
7	90280-05029	KEY, WOODRUFF	1	1	
8	90201-121H0	WASHER, PLATE	1	1	
9	90105-12005	BOLT, FLANGE	1	1	
10	2BS-11631-00	PISTON (STD)	2	2	
11	2BS-11603-00	PISTON RING SET (STD)	2	2	
12	4WM-11633-00	PIN, PISTON	2	2	
13	93450-23167	CIRCLIP	4	4	
14	23P-11500-01	BALANCER ASSY	1	1	
15	23P-11510-01	BALANCER ASSY, 2	1	1	
16	23P-11583-00	SHAFT, BALANCER 1	1	1	
17	2S3-11413-00	METAL, BALANCE WEIGHT	6	6	UR BLUE
	2S3-11413-10	METAL, BALANCE WEIGHT	6	6	UR BLACK
	2S3-11413-20	METAL, BALANCE WEIGHT	6	6	UR BROWN
	2S3-11413-30	METAL, BALANCE WEIGHT	6	6	UR GREEN

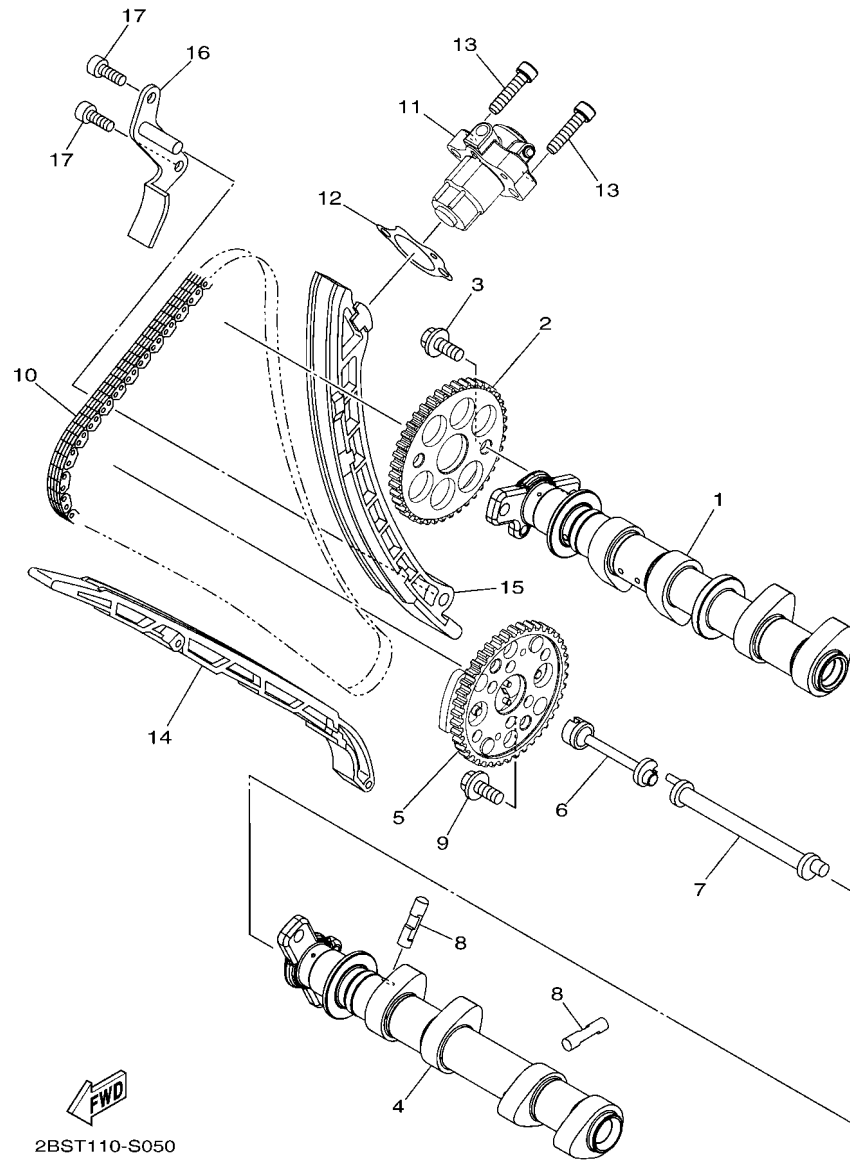




**FIG. 4 VALVE**

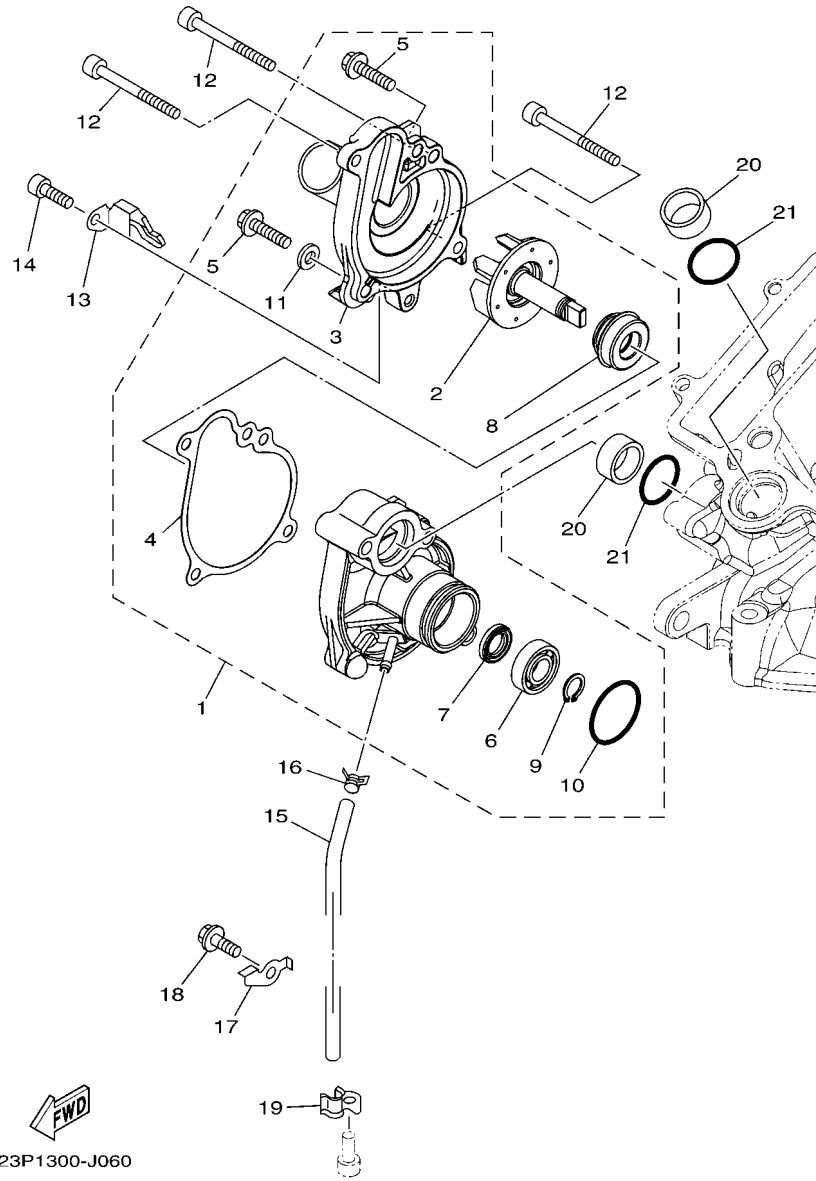
REF. NO.	PART NO.	DESCRIPTION	BP94	BP95	REMARKS
1	23P-12111-00	VALVE, INTAKE	4	4	
2	23P-12121-00	VALVE, EXHAUST	4	4	
3	23P-12116-00	SEAT, VALVE SPRING	8	8	
4	23P-12113-00	SPRING, 1	4	4	
5	2BS-12114-00	SPRING, VALVE OUTER	4	4	
6	23P-12117-00	RETAINER, VALVE SPRING	8	8	
7	3LD-12118-00	LOCK, VALVE SPRING RETAINER	16	16	
8	51Y-12119-00	SEAL, VALVE STEM	8	8	
9	23P-12153-09	LIFTER, VALVE	8	8	AP
10	3LD-12168-00	PAD, ADJUSTING (1.20)	8	8	UR
	3LD-12168-20	PAD, ADJUSTING (1.25)	8	8	UR
	3LD-12168-40	PAD, ADJUSTING (1.30)	8	8	UR
	3LD-12168-60	PAD, ADJUSTING (1.35)	8	8	UR
	3LD-12168-80	PAD, ADJUSTING (1.40)	8	8	UR
	3LD-12168-A0	PAD, ADJUSTING (1.45)	8	8	UR
	3LD-12168-F0	PAD, ADJUSTING (1.50)	8	8	UR
	3LD-12168-H1	PAD, ADJUSTING (1.55)	8	8	UR
	3LD-12168-K1	PAD, ADJUSTING (1.60)	8	8	UR
	3LD-12168-M1	PAD, ADJUSTING (1.65)	8	8	UR
	3LD-12168-R1	PAD, ADJUSTING (1.70)	8	8	UR
	3LD-12168-U1	PAD, ADJUSTING (1.75)	8	8	UR
	3LD-12168-W1	PAD, ADJUSTING (1.80)	8	8	UR
	3LD-12168-Y1	PAD, ADJUSTING (1.85)	8	8	UR
	3LD-12169-11	PAD, ADJUSTING (1.90)	8	8	UR
	3LD-12169-31	PAD, ADJUSTING (1.95)	8	8	UR
	3LD-12169-50	PAD, ADJUSTING (2.00)	8	8	UR
	3LD-12169-70	PAD, ADJUSTING (2.05)	8	8	UR





**FIG. 5 CAMSHAFT & CHAIN**

REF. NO.	PART NO.	DESCRIPTION	BP94	BP95	REMARKS
1	23P-12170-00	CAMSHAFT ASSY 1	1	1	
2	23P-12176-00	SPROCKET, CAM CHAIN (42T)	1	1	
3	90105-07006	BOLT, FLANGE	2	2	
4	23P-12181-00	CAMSHAFT 2	1	1	
5	23P-12280-00	DECOMPRESSION ASSY	1	1	
6	23P-12247-00	SHAFT, 1	1	1	
7	23P-12257-00	SHAFT 2	1	1	
8	23P-12288-00	CAM, DECOMPRESSION	2	2	
9	90105-07006	BOLT, FLANGE	2	2	
10	94591-61150	CHAIN (98XRH2015-150M)	1	1	
11	2BS-12210-01	TENSIONER ASSY, CAM CHAIN	1	1	
12	14B-12213-00	GASKET, TENSIONER CASE	1	1	
13	91312-06025	BOLT, HEXAGON SOCKET HEAD	2	2	
14	23P-12251-00	DAMPER, CHAIN 1	1	1	
15	23P-12252-00	DAMPER, CHAIN 2	1	1	
16	23P-12233-00	PLATE, GUIDE STOPPER 1	1	1	
17	90110-06182	BOLT, HEXAGON SOCKET HEAD	2	2	

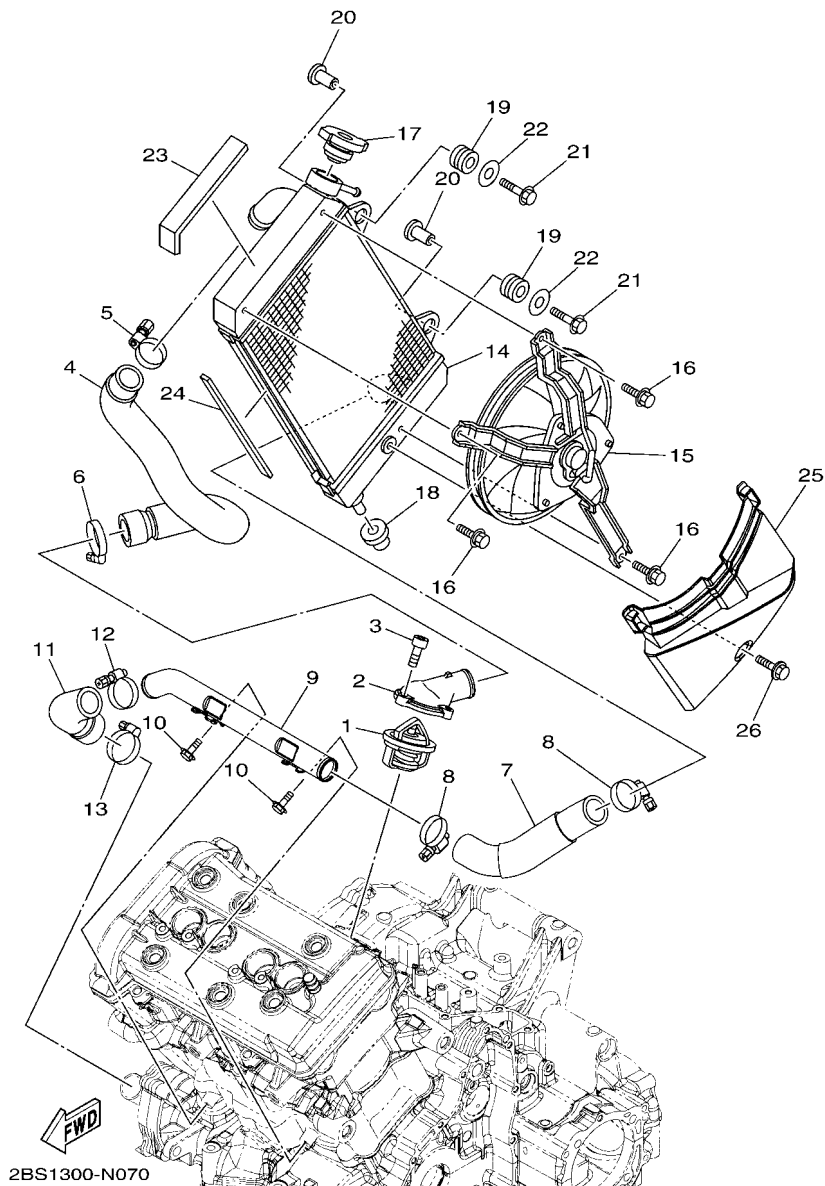


23P1300-J060

FIG. 6 WATER PUMP

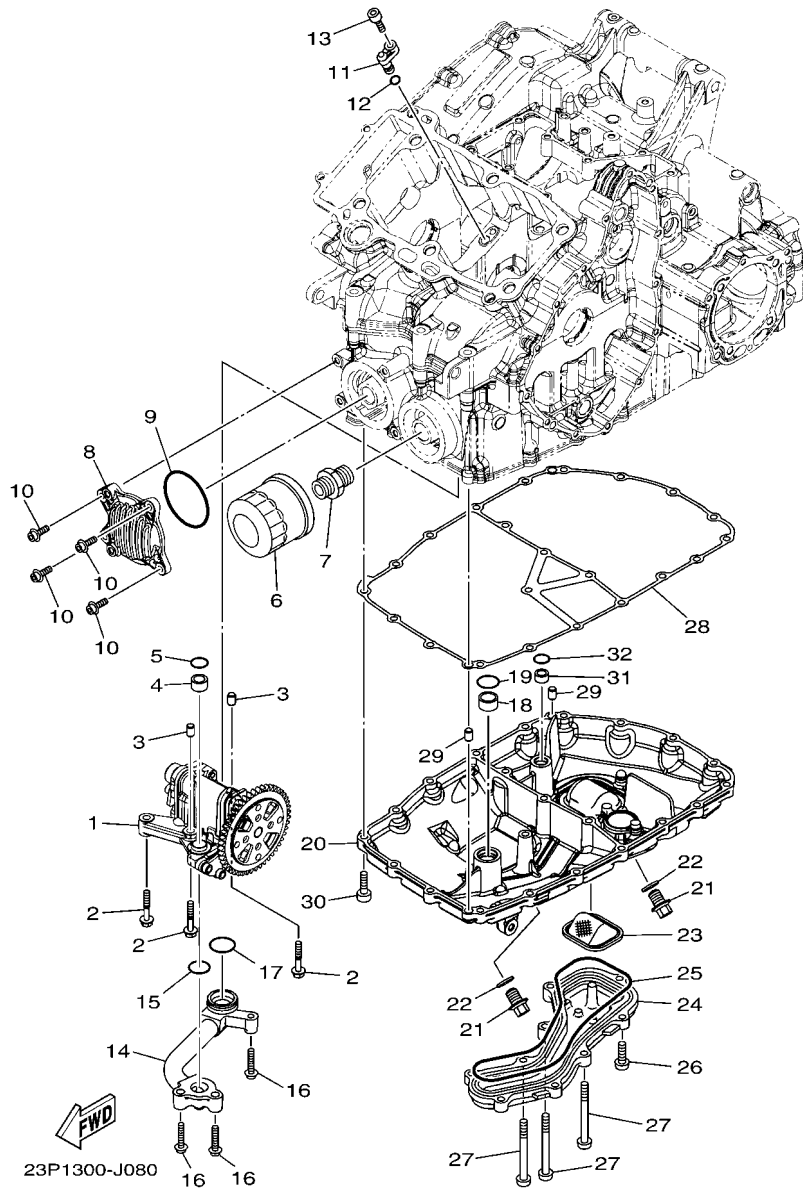
REF. NO.	PART NO.	DESCRIPTION	BP94	BP95	REMARKS
1	23P-12420-01	WATER PUMP ASSY	1	1	
2	23P-12450-00	.IMPELLER SHAFT ASSY	1	1	
3	23P-12422-01	.COVER, HOUSING	1	1	
4	23P-12428-00	.GASKET, HOUSING COVER 2	1	1	
5	95024-06025	.BOLT, FLG.(SMALL HEAD)	2	2	
6	93306-00106	.BEARING	1	1	
7	93101-12173	.OIL SEAL	1	1	
8	5VK-12438-00	.SEAL, MECHANICAL	1	1	
9	99009-12400	.CIRCLIP	1	1	
10	93210-33133	.O-RING	1	1	
11	90430-06014	.GASKET	1	1	
12	90110-06351	BOLT, HEXAGON SOCKET HEAD	3	3	
13	90462-08095	CLAMP	1	1	
14	91314-06012	BOLT, HEXAGON SOCKET HEAD	1	1	
15	90445-07030	HOSE	1	1	
16	90467-070A0	CLIP	1	1	
17	90462-08084	CLAMP	1	1	
18	95824-06016	BOLT, FLANGE	1	1	
19	90462-10059	CLAMP	1	1	
20	23P-12564-00	PIPE, WATER	2	2	
21	93210-24001	O-RING	2	2	

**FIG. 7 RADIATOR & HOSE**



2BS1300-N070

REF. NO.	PART NO.	DESCRIPTION	BP94	BP95	REMARKS
1	23P-12410-00	THERMOSTAT ASSY	1	1	
2	23P-12413-00	COVER, THERMOSTAT	1	1	
3	91312-06020	BOLT, HEXAGON SOCKET HEAD	3	3	
4	23P-12576-00	HOSE 1	1	1	
5	90450-35001	HOSE CLAMP ASSY	1	1	
6	90450-38003	HOSE CLAMP ASSY	1	1	
7	23P-12578-00	HOSE 3	1	1	
8	90450-35001	HOSE CLAMP ASSY	2	2	
9	23P-12483-00	PIPE 3	1	1	
10	95824-06010	BOLT, FLANGE	2	2	
11	23P-12588-00	HOSE 5	1	1	
12	90450-35001	HOSE CLAMP ASSY	1	1	
13	90450-38003	HOSE CLAMP ASSY	1	1	
14	23P-12461-00	RADIATOR COMP	1	1	
15	23P-12405-01	BLOWER ASSY	1	1	
16	3D8-12675-00	BOLT, BLOWER HOLDING	3	3	
17	22W-12462-00	CAP, RADIATOR	1	1	
18	90480-20003	GROMMET	1	1	
19	90480-17010	GROMMET	2	2	
20	90387-06256	COLLAR	2	2	
21	95812-06035	BOLT, FLANGE	2	2	
22	90201-06095	WASHER, PLATE	2	2	
23	4D9-21747-00	DAMPER	1	1	
24	4FU-21747-00	DAMPER	1	1	
25	23P-2137V-00	GUIDE, AIR 2	1	1	
26	90119-06044	BOLT, WITH WASHER	1	1	



**FIG. 8 OIL PUMP**

REF. NO.	PART NO.	DESCRIPTION	BP94	BP95	REMARKS
1	23P-13300-00	OIL PUMP ASSY	1	1	
2	95812-06035	BOLT, FLANGE	3	3	
3	99530-08012	PIN, DOWEL	2	2	
4	90387-13005	COLLAR	1	1	
5	93210-15566	O-RING	1	1	
6	5GH-13440-60	ELEMENT ASSY, OIL CLEANER	1	1	
7	90401-20008	BOLT, UNION	1	1	
8	23P-13461-00	PLATE, ADAPTOR	1	1	
9	93210-60426	O-RING	1	1	
10	90110-06347	BOLT, HEXAGON SOCKET HEAD	4	4	
11	23P-15155-00	NOZZLE 3	1	1	
12	93210-06422	O-RING	1	1	
13	90110-06161	BOLT, HEXAGON SOCKET HEAD	1	1	
14	23P-13416-00	PIPE, OIL 1	1	1	
15	93210-23326	O-RING	1	1	
16	90110-06345	BOLT, HEXAGON SOCKET HEAD	3	3	
17	93210-27778	O-RING	1	1	
18	23P-13117-00	COLLAR, DISTANCE	1	1	
19	93210-19003	O-RING	1	1	
20	23P-13417-00	COVER, STRAINER	1	1	
21	90340-12001	PLUG, STRAIGHT SCREW	2	2	
22	90430-12213	GASKET	2	2	
23	23P-13421-00	STRAINER 2	1	1	
24	23P-13447-00	COVER, OIL ELEMENT	1	1	
25	23P-13449-00	GASKET, ELEMENT COVER	1	1	
26	90149-06159	SCREW	6	6	
27	90149-06176	SCREW	3	3	





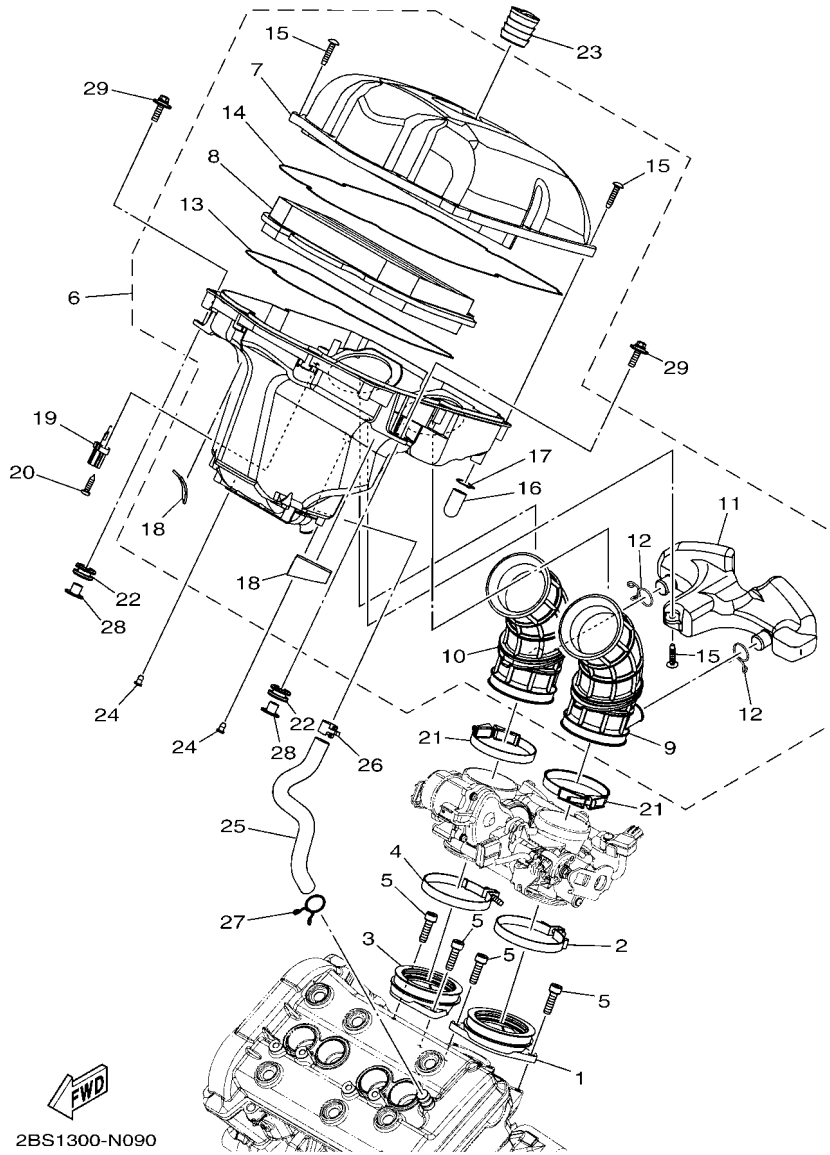
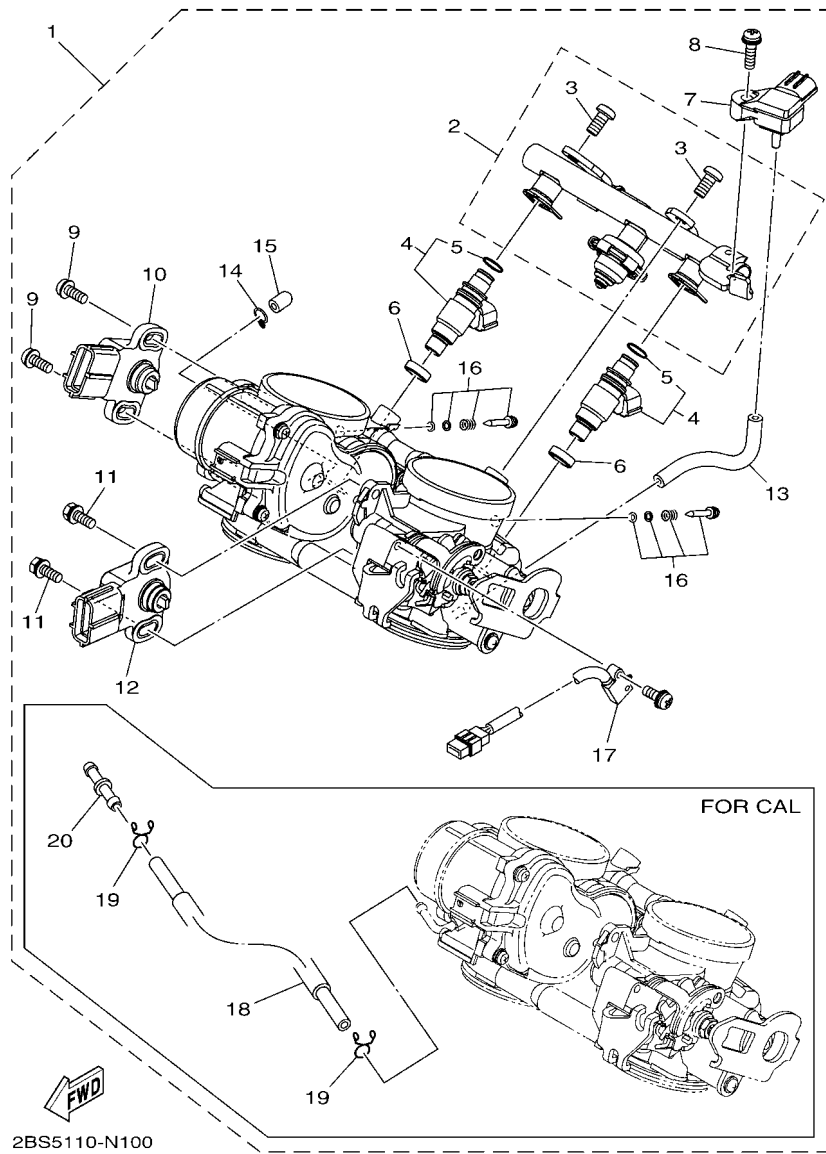


FIG. 9 INTAKE

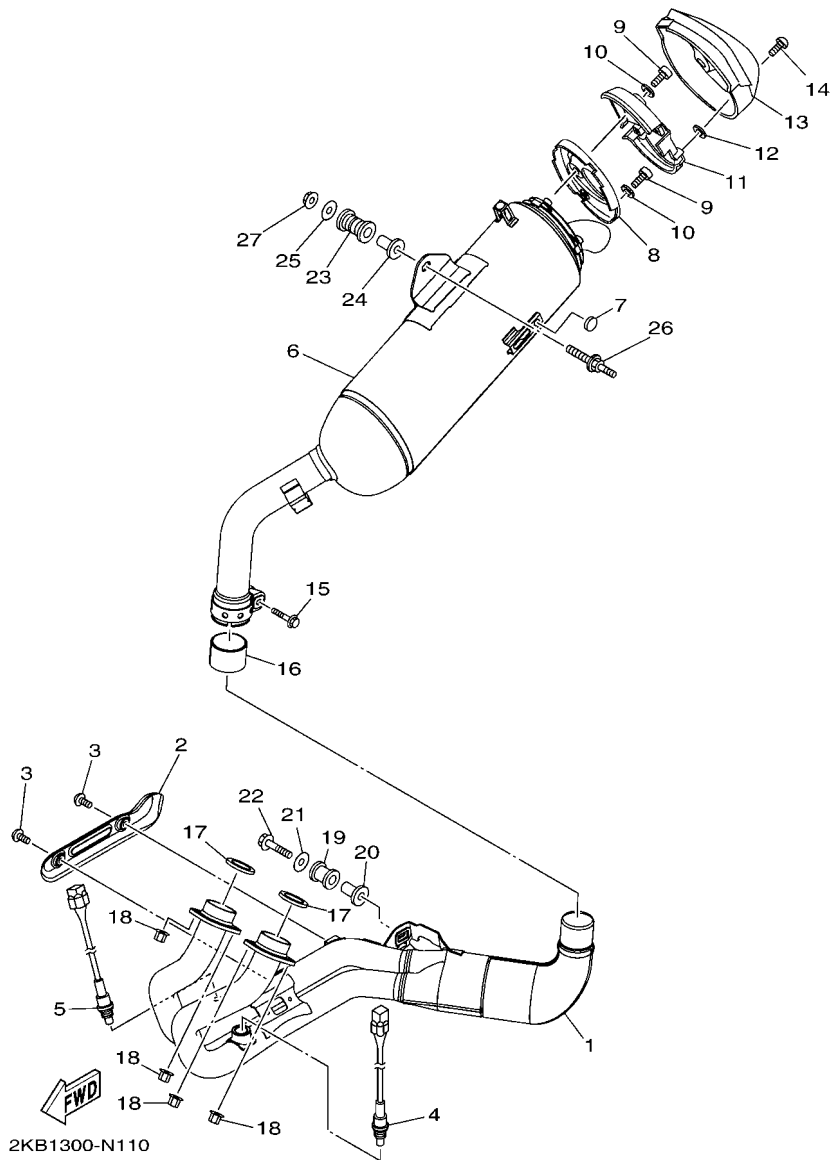
REF. NO.	PART NO.	DESCRIPTION	BP94	BP95	REMARKS
1	23P-13586-00	JOINT, CARBURETOR 1	1	1	
2	90450-69001	HOSE CLAMP ASSY	1	1	
3	23P-13596-00	JOINT, CARBURETOR 2	1	1	
4	90450-69001	HOSE CLAMP ASSY	1	1	
5	91312-06020	BOLT, HEXAGON SOCKET HEAD	4	4	
6	23P-14410-00	AIR CLEANER ASSY.	1	1	
7	23P-14421-00	.CASE, AIR CLEANER 2	1	1	
8	23P-14451-00	.ELEMENT, AIR CLEANER	1	1	
9	23P-14453-00	.JOINT, AIR CLEANER 1	1	1	
10	23P-14463-00	.JOINT, AIR CLEANER 2	1	1	
11	23P-13581-00	.CHAMBER, AIR	1	1	
12	90467-180A1	.CLIP	2	2	
13	23P-14452-00	.SEAL	1	1	
14	23P-14462-00	.SEAL	1	1	
15	90160-05013	.SCREW, ROUND TAPPING	11	11	
16	23P-1443E-00	.PIPE, DRAIN	1	1	
17	23P-14159-00	.CLIP	1	1	
18	5JW-2139X-00	.DAMPER	2	2	
19	8FP-85886-00	SENSOR, AIR TEMPERATURE	1	1	
20	97707-50520	SCREW, TAPPING	1	1	
21	90450-67003	HOSE CLAMP ASSY	2	2	
22	90480-14329	GROMMET	2	2	
23	23P-14862-00	PLUG	1	1	
24	90338-05056	PLUG	2	2	
25	23P-11166-10	PIPE, BREATHER 1	1	1	
26	90467-15168	CLIP	1	1	
27	90467-140A4	CLIP	1	1	





**FIG. 10 INTAKE 2**

REF. NO.	PART NO.	DESCRIPTION	BP94	BP95	REMARKS
1	2BS-13750-00	THROTTLE BODY ASSY	1		FOR U49
	2BS-13750-20	THROTTLE BODY ASSY		1	FOR CAL
2	23P-1393A-00	.PIPE, INLET	1	1	
3	98502-06012	..SCREW, PAN HEAD	2	2	
4	23P-13761-00	.INJECTOR	2	2	
5	5PS-14147-00	..O-RING	1	1	
6	8FP-13556-00	.RUBBER, INJECTOR	2	2	
7	2C0-82380-00	..SENSOR, PRESSURE	1	1	
8	2C0-14216-00	..SCREW	1	1	
9	8CC-14216-10	..SCREW	2	2	
10	13S-85885-00	..THROTTLE SENSOR ASSY	1	1	
11	5FL-14216-00	..SCREW	2	2	
12	1MC-85884-00	..ACCELERATOR SENSOR ASSY	1	1	
13	63P-13532-00	..HOSE, VACUUM SENSING 3	1	1	
14	8A7-14139-00	..CLIP, PIPE	1	1	
15	895-14169-00	..CAP	1	1	
16	2C0-14105-00	..PILOT SCREW SET	2	2	
17	2BS-81860-00	..SWITCH ASSY	1	1	
18	23P-14465-00	..PIPE		1	FOR CAL
19	90467-09006	..CLIP		2	FOR CAL
20	4XY-14568-00	..JOINT		1	FOR CAL

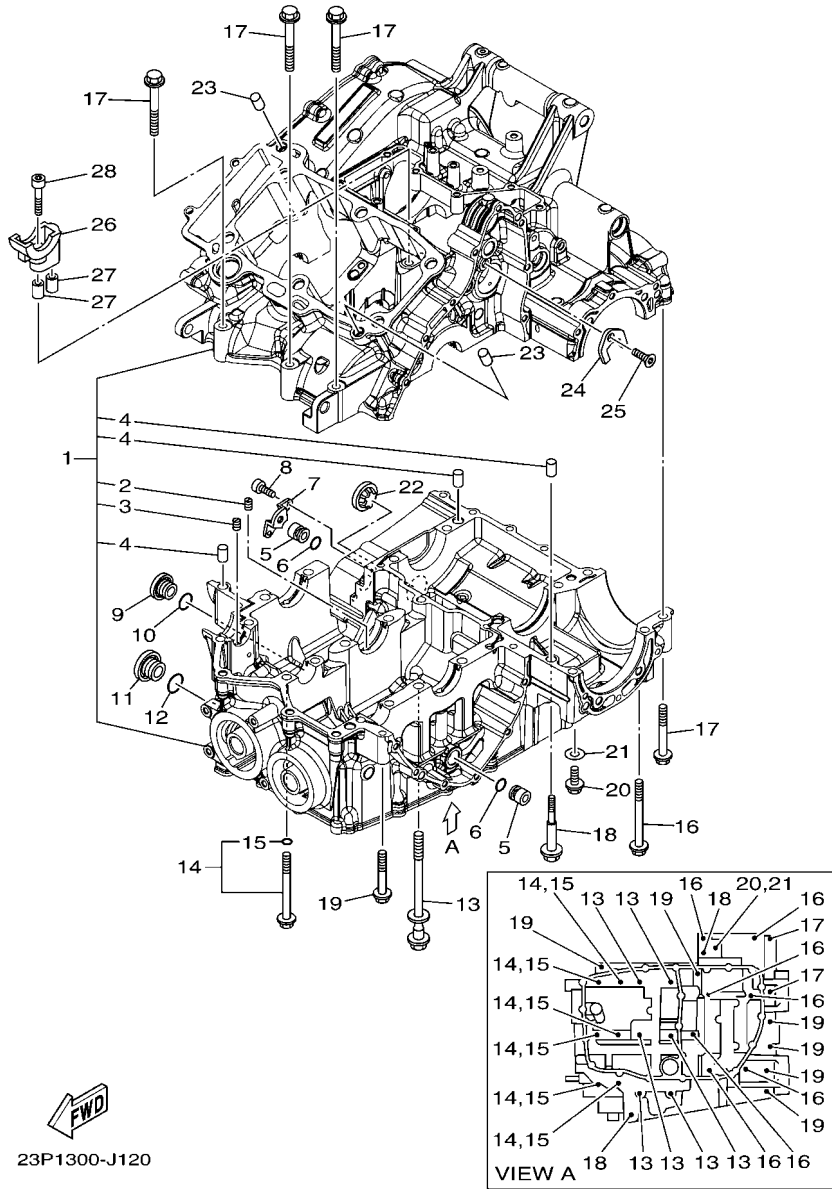


2KB1300-N110

FIG. 11 EXHAUST

REF. NO.	PART NO.	DESCRIPTION	BP94	BP95	REMARKS
1	2BS-14610-00	EXHAUST PIPE ASSY 1	1	1	
2	23P-14628-00	PROTECTOR, EXHAUST PIPE	1	1	
3	98980-06008	SCREW, BIND	2	2	
4	2BS-8592A-00	SENSOR, OXYGEN	1	1	
5	2BS-8592A-10	SENSOR, OXYGEN	1	1	
6	23P-14703-10	MUFFLER COMP. 1	1	1	
7	22W-24181-00	DAMPER, LOCATING 1	1	1	
8	23P-1473K-10	BRKT.3-1	1	1	
9	91380-06010	BOLT	7	7	
10	92990-06200	WASHER, PLAIN	7	7	
11	23P-1474K-10	BRACKET 4-1	1	1	
12	5GM-14766-00	WASHER, PROTECTOR	4	4	
13	23P-14798-00	CAP, SILENCER 2	1	1	
14	90110-06381	BOLT, HEXAGON SOCKET HEAD	4	4	
15	95814-08040	BOLT, FLANGE	1	1	
16	5VY-14714-00	GASKET, MUFFLER	1	1	
17	4FM-14613-00	GASKET, EXHAUST PIPE	2	2	
18	90179-08410	NUT	4	4	
19	5YU-14757-00	DAMPER, MUFFLER 2	1	1	
20	90387-082W9	COLLAR	1	1	
21	90201-08034	WASHER, PLATE	1	1	
22	95814-08040	BOLT, FLANGE	1	1	
23	36Y-27424-01	DAMPER, FOOTREST 2	1	1	
24	90387-10636	COLLAR	1	1	
25	90201-10043	WASHER, PLATE	1	1	
26	23P-14777-00	BOLT	1	1	
27	95704-10500	NUT, FLANGE	1	1	

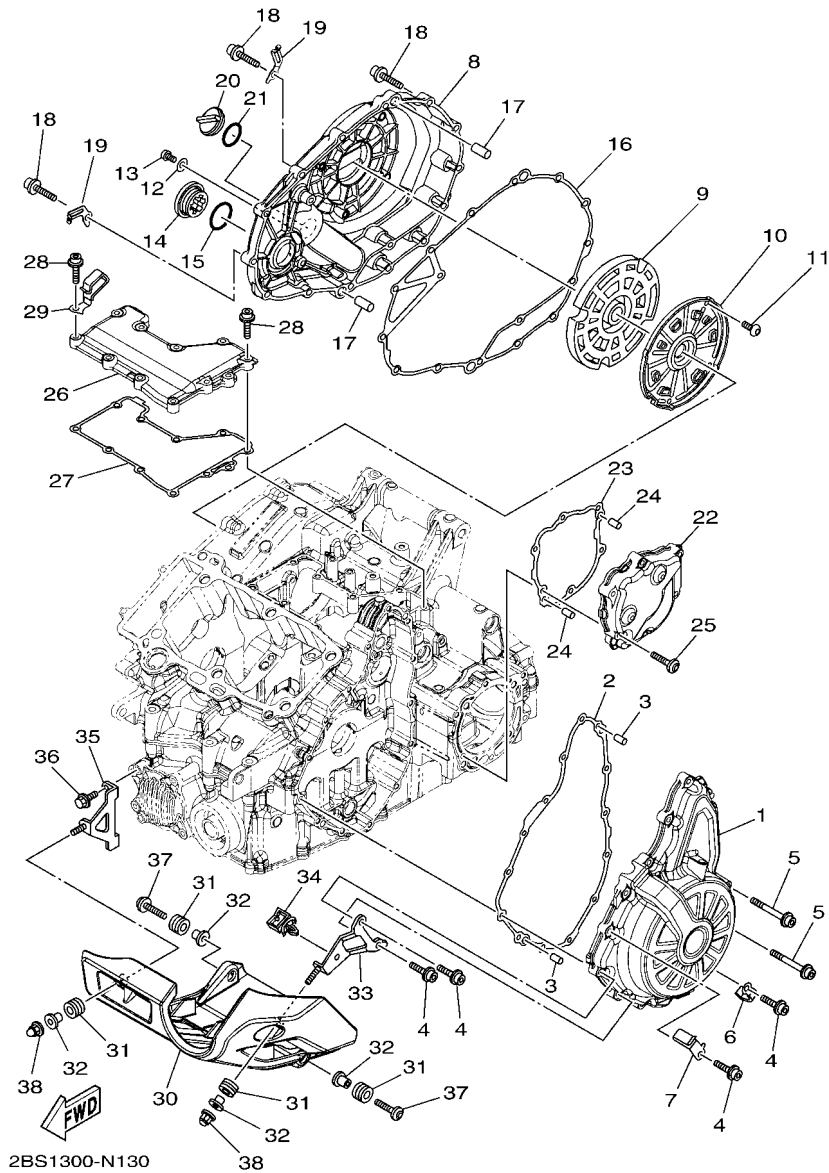
FIG. 12 CRANKCASE



23P1300-J120

REF. NO.	PART NO.	DESCRIPTION	BP94	BP95	REMARKS
1	23P-15100-09	CRANKCASE ASSY	1	1	
2	4H7-15138-00	.NOZZLE 1	1	1	
3	2UJ-15138-00	.NOZZLE 1	1	1	
4	99530-10014	.PIN, DOWEL	3	3	
5	90338-16262	PLUG	2	2	
6	93210-12790	O-RING	2	2	
7	23P-15128-00	HOLDER	1	1	
8	90110-06161	BOLT, HEXAGON SOCKET HEAD	2	2	
9	36Y-15189-00	PLUG	1	1	
10	93210-16325	O-RING	1	1	
11	4H7-15189-00	PLUG	1	1	
12	93210-207A0	O-RING	1	1	
13	90119-10051	BOLT, WITH WASHER	6	6	
14	23P-15156-00	BOLT, CRANKCASE JOURNAL	6	6	
15	93210-07540	.O-RING	1	1	
16	95812-08080	BOLT, FLANGE	7	7	
17	95812-08060	BOLT, FLANGE	5	5	
18	90109-06100	BOLT	2	2	
19	95812-06050	BOLT, FLANGE	6	6	
20	95022-08016	BOLT, FLANGE	1	1	
21	90430-08119	GASKET	1	1	
22	2H7-15361-00	GAUGE, LEVEL	1	1	
23	99530-10114	PIN, DOWEL	2	2	
24	3LD-15191-00	PLATE	1	1	
25	90151-06024	SCREW, COUNTERSUNK	1	1	
26	23P-15118-00	HOLDER	1	1	
27	99530-08016	PIN, DOWEL	2	2	





2BS1300-N130

FIG. 13 CRANKCASE COVER 1

REF. NO.	PART NO.	DESCRIPTION	BP94	BP95	REMARKS
1	23P-15411-00	COVER, CRANKCASE 1	1	1	
2	23P-15451-00	GASKET, CRANKCASE COVER 1	1	1	
3	99530-08012	PIN, DOWEL	2	2	
4	90110-06387	BOLT, HEXAGON SOCKET HEAD	12	12	
5	90110-06375	BOLT, HEXAGON SOCKET HEAD	2	2	
6	90462-08089	CLAMP	1	1	
7	23P-15199-00	BRACKET	1	1	
8	23P-15421-01	COVER, CRANKCASE 2	1	1	
9	23P-15316-00	DAMPER 1	1	1	
10	23P-15492-00	COVER	1	1	
11	90149-06158	SCREW	4	4	
12	90430-08143	GASKET	1	1	
13	90111-08075	BOLT, HEX. SOCKET BUTTON	1	1	
14	90340-32004	PLUG, STRAIGHT SCREW	1	1	
15	93210-32172	O-RING	1	1	
16	23P-15461-00	GASKET, CRANKCASE COVER 2	1	1	
17	93610-20189	PIN, DOWEL	2	2	
18	90110-06388	BOLT, HEXAGON SOCKET HEAD	16	16	
19	90465-08062	CLAMP	2	2	
20	3F9-15362-10	PLUG, OIL LEVEL	1	1	
21	93210-27370	O-RING	1	1	
22	23P-15431-10	COVER, CRANKCASE 3	1	1	
23	23P-15462-00	GASKET, CRANKCASE COVER 3	1	1	
24	99530-08012	PIN, DOWEL	2	2	
25	90149-06185	SCREW	6	6	
26	23P-15415-00	COVER, 1	1	1	
27	23P-15455-00	GASKET 1	1	1	



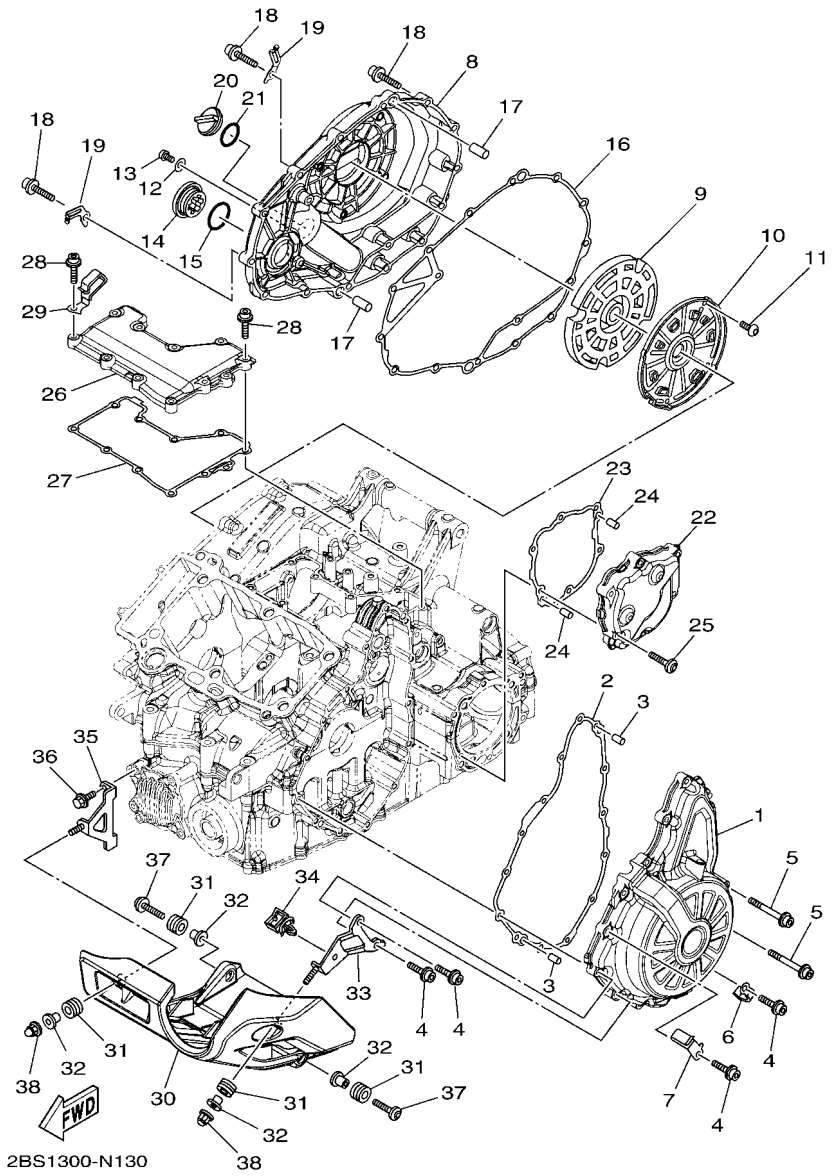
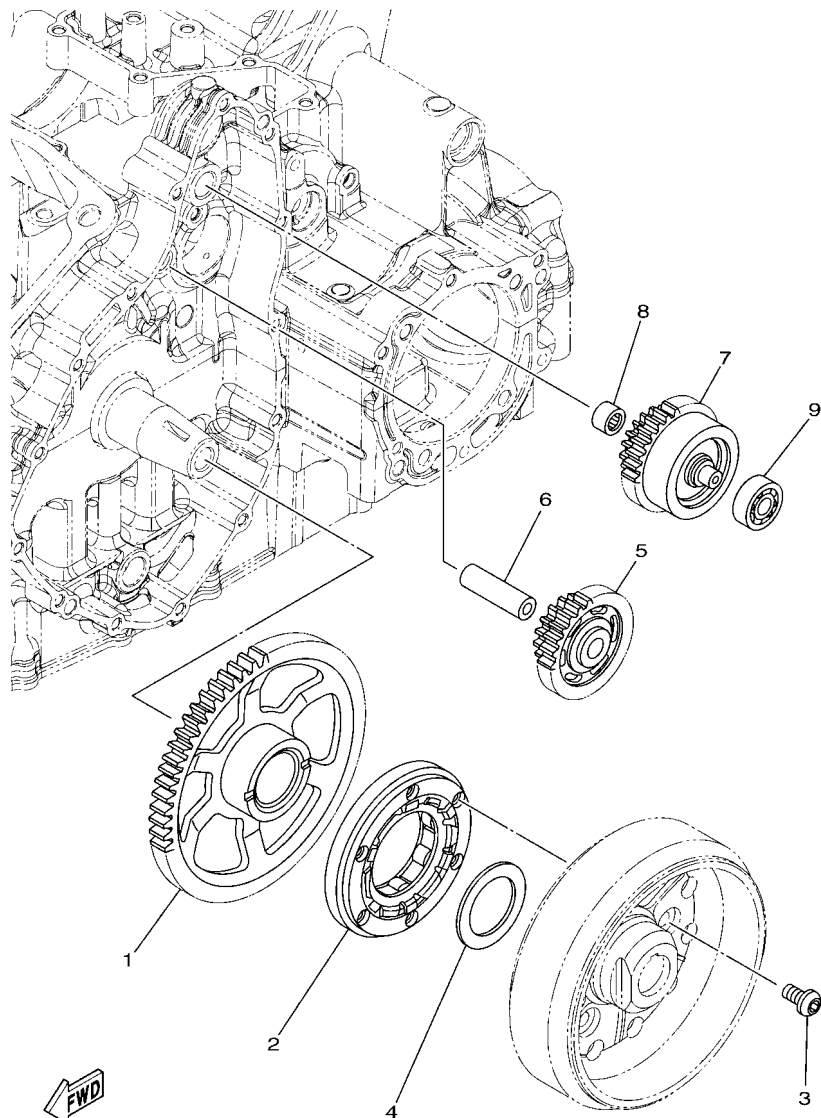


FIG. 13 CRANKCASE COVER 1

REF. NO.	PART NO.	DESCRIPTION	BP94	BP95	REMARKS
28	90110-06349	BOLT, HEXAGON SOCKET HEAD	11	11	
29	90462-08085	CLAMP	1	1	
30	23P-15491-00	PROTECTOR	1	1	
31	90480-12596	GROMMET	4	4	
32	90387-06265	COLLAR	4	4	
33	23P-15771-00	STAY 1	1	1	
34	90464-23199	CLAMP	1	1	
35	23P-15772-00	STAY 2	1	1	
36	90105-06066	BOLT, FLANGE	2	2	
37	90149-06328	SCREW	2	2	
38	90176-06047	NUT,CAP	2	2	



23P1300-J140

FIG. 14 STARTER CLUTCH

REF. NO.	PART NO.	DESCRIPTION	BP94	BP95				REMARKS
1	23P-15515-00	GEAR 3	1	1				
2	4NK-15590-00	STARTER ONE-WAY ASSY	1	1				
3	90149-08030	SCREW	3	3				
4	90201-350F3	WASHER, PLATE	1	1				
5	23P-15650-00	IDLE GEAR ASSY	1	1				
6	23P-15521-00	SHAFT 1	1	1				
7	23P-15560-00	DAMPER ASSY	1	1				
8	93317-11096	BEARING	1	1				
9	93306-00006	BEARING	1	1				

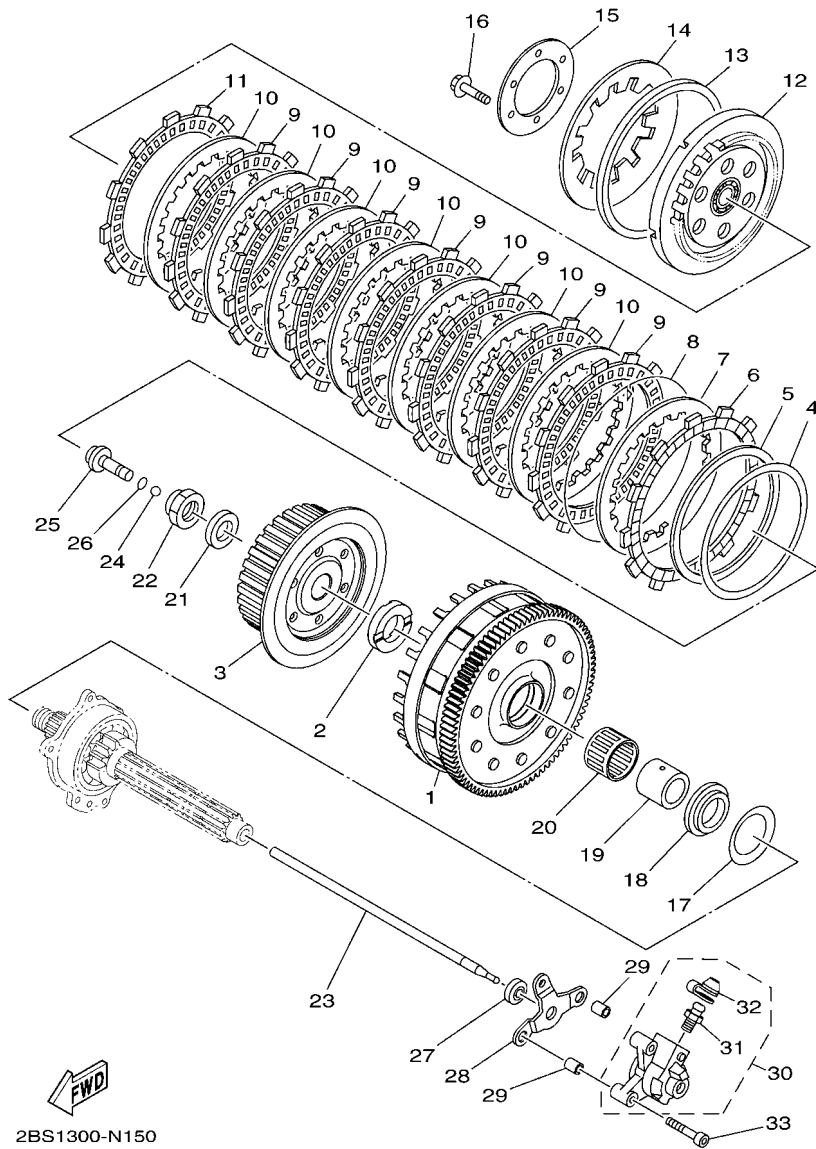
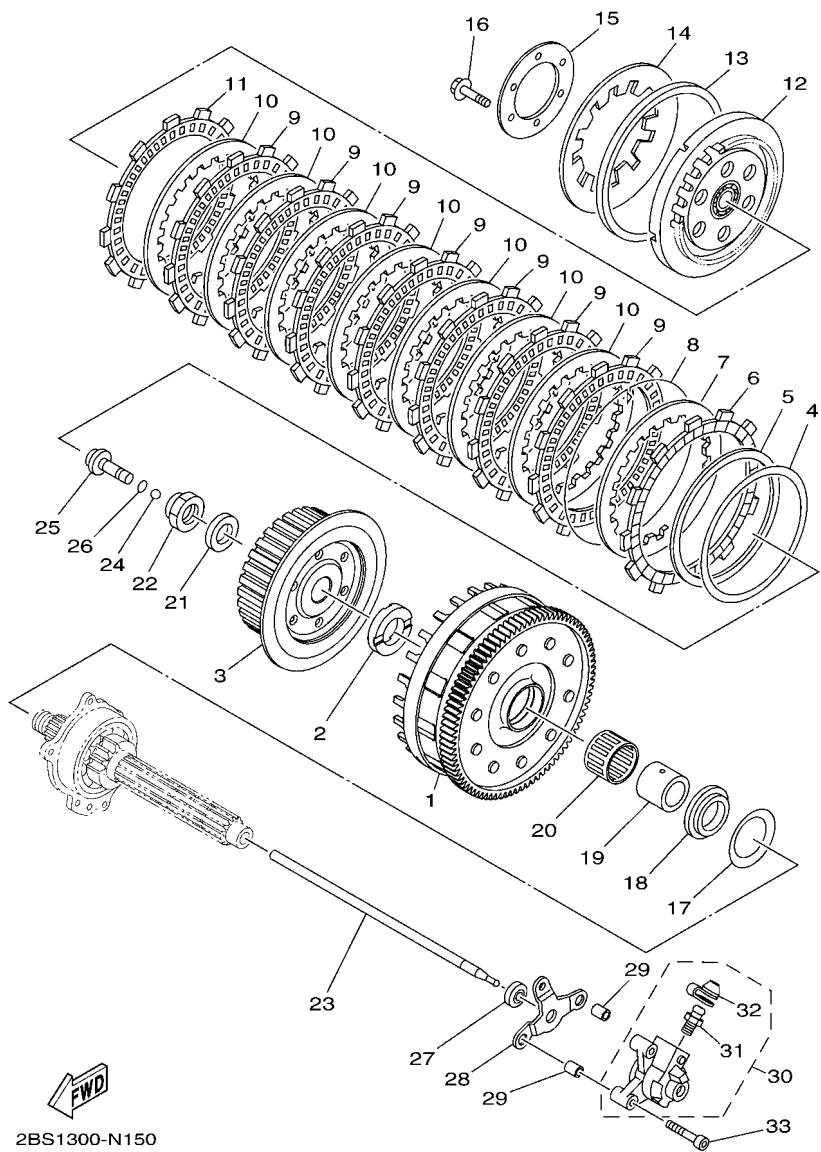


FIG. 15 CLUTCH

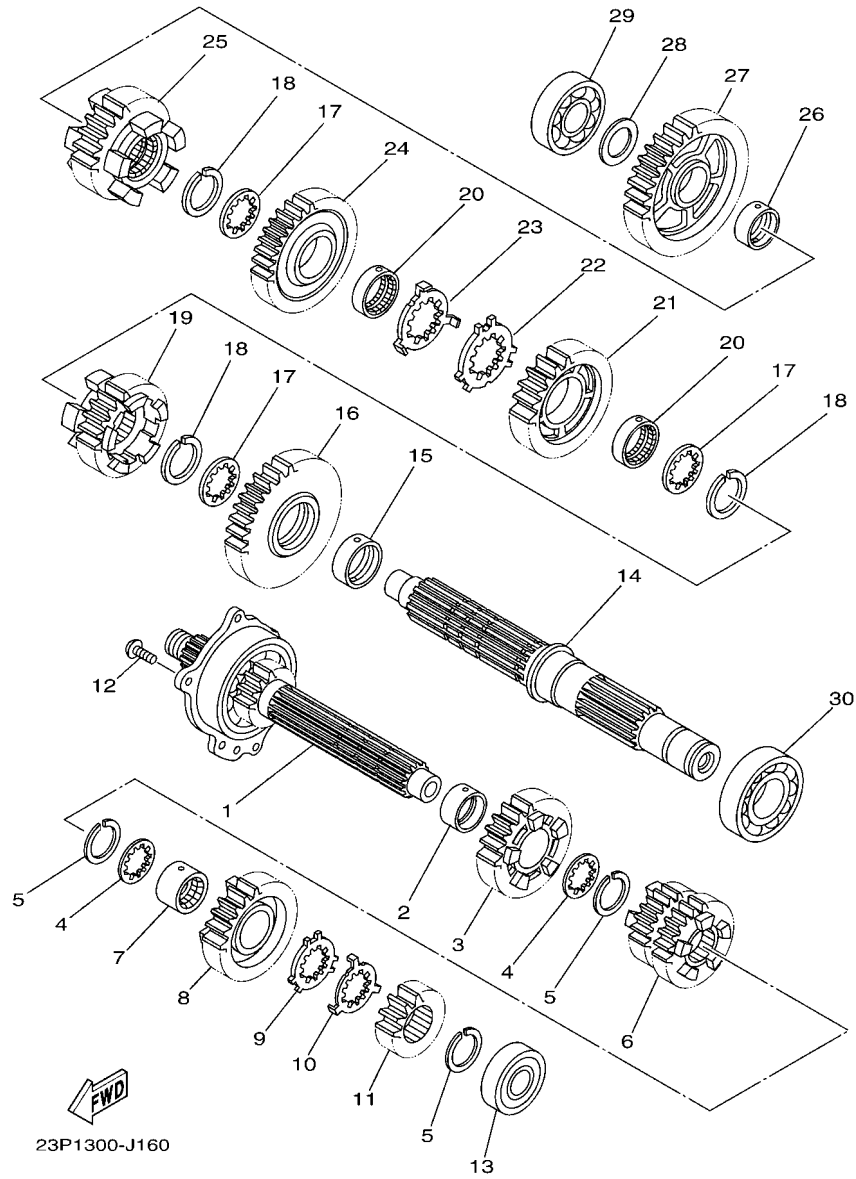
REF. NO.	PART NO.	DESCRIPTION	BP94	BP95	REMARKS
1	2BS-16150-00	PRIMARY DRIVEN GEAR COMP.	1	1	
2	5YU-16154-00	PLATE, THRUST 1	1	1	
3	23P-16371-00	BOSS, CLUTCH	1	1	
4	36Y-16384-00	PLATE, SEAT	1	1	
5	36Y-16383-00	SPRING., CUSHION	1	1	
6	4XV-16331-00	PLATE, FRICTION 2	1	1	
7	2H7-16325-00	PLATE, CLUTCH 2	1	1	
8	2H7-16385-00	RING SET	1	1	
9	5JW-16321-10	PLATE, FRICTION	7	7	
10	2H7-16325-00	PLATE, CLUTCH 2	7	7	
11	5YU-16321-00	PLATE, FRICTION	1	1	
12	23P-16350-00	PRESSURE PLATE ASSY	1	1	
13	36Y-16335-00	HOUSING, SPRING	1	1	
14	5JW-16334-00	SPRING, CLUTCH 2	1	1	
15	1TX-16352-00	PLATE, PRESSURE 2	1	1	
16	90105-06191	BOLT, FLANGE	6	6	
17	3P6-16587-00	SPRING., ABSORBER	1	1	
18	3P6-16183-00	SPACER 3	1	1	
19	23P-16181-00	SPACER 1	1	1	
20	93310-33560	BEARING	1	1	
21	90208-20001	WASHER, CONICAL SPRING	1	1	
22	90179-20007	NUT	1	1	
23	23P-16357-00	ROD, PUSH 2	1	1	
24	93511-32017	BALL	1	1	
25	4KG-16356-00	ROD, PUSH 1	1	1	
26	93210-06632	O-RING	1	1	
27	93109-08061	OIL SEAL	1	1	



2BS1300-N150

**FIG. 15 CLUTCH**

REF. NO.	PART NO.	DESCRIPTION	BP94	BP95	REMARKS
28	23P-15645-00	PLATE	1	1	
29	99590-08012	PIN, DOWEL	2	2	
30	23P-16381-00	PUSH LEVER COMP.	1	1	
31	1UY-25824-51	.SCREW, BLEED	1	1	
32	1UY-25825-51	.CAP	1	1	
<hr/>					
33	90110-06140	BOLT, HEXAGON SOCKET HEAD	3	3	
<hr/>					
<hr/>					
<hr/>					
<hr/>					
<hr/>					
<hr/>					
<hr/>					
<hr/>					
<hr/>					



**FIG. 16 TRANSMISSION**

REF. NO.	PART NO.	DESCRIPTION	BP94	BP95	REMARKS
1	23P-17401-00	MAIN AXLE ASSY	1	1	
2	90387-28003	COLLAR	1	1	
3	23P-17151-00	GEAR, 5TH PINION (24T)	1	1	
4	90209-25011	WASHER	2	2	
5	93440-28184	CIRCLIP	3	3	
6	23P-17131-00	GEAR, 3RD PINION (21T/24T)	1	1	
7	90387-25023	COLLAR	1	1	
8	23P-17161-00	GEAR, 6TH PINION (28T)	1	1	
9	90214-25004	WASHER, CLAW	1	1	
10	90214-25003	WASHER, CLAW	1	1	
11	5S7-17121-00	GEAR, 2ND PINION (16T)	1	1	
12	90149-06082	SCREW	3	3	
13	93306-20464	BEARING	1	1	
14	23P-17402-00	DRIVE AXLE ASSY	1	1	
15	90387-31003	COLLAR	1	1	
16	23P-17221-00	GEAR, 2ND WHEEL (33T)	1	1	
17	90209-28008	WASHER	3	3	
18	93440-31187	CIRCLIP	3	3	
19	23P-17261-00	GEAR, 6TH WHEEL (26T)	1	1	
20	90387-28004	COLLAR	2	2	
21	23P-17241-00	GEAR, 4TH WHEEL (30T)	1	1	
22	90214-29002	WASHER, CLAW	1	1	
23	90214-28002	WASHER, CLAW	1	1	
24	23P-17231-00	GEAR, 3RD WHEEL (33T)	1	1	
25	23P-17251-00	GEAR, 5TH WHEEL (25T)	1	1	
26	90387-25008	COLLAR	1	1	
27	23P-17211-00	GEAR, 1ST WHEEL (36T)	1	1	

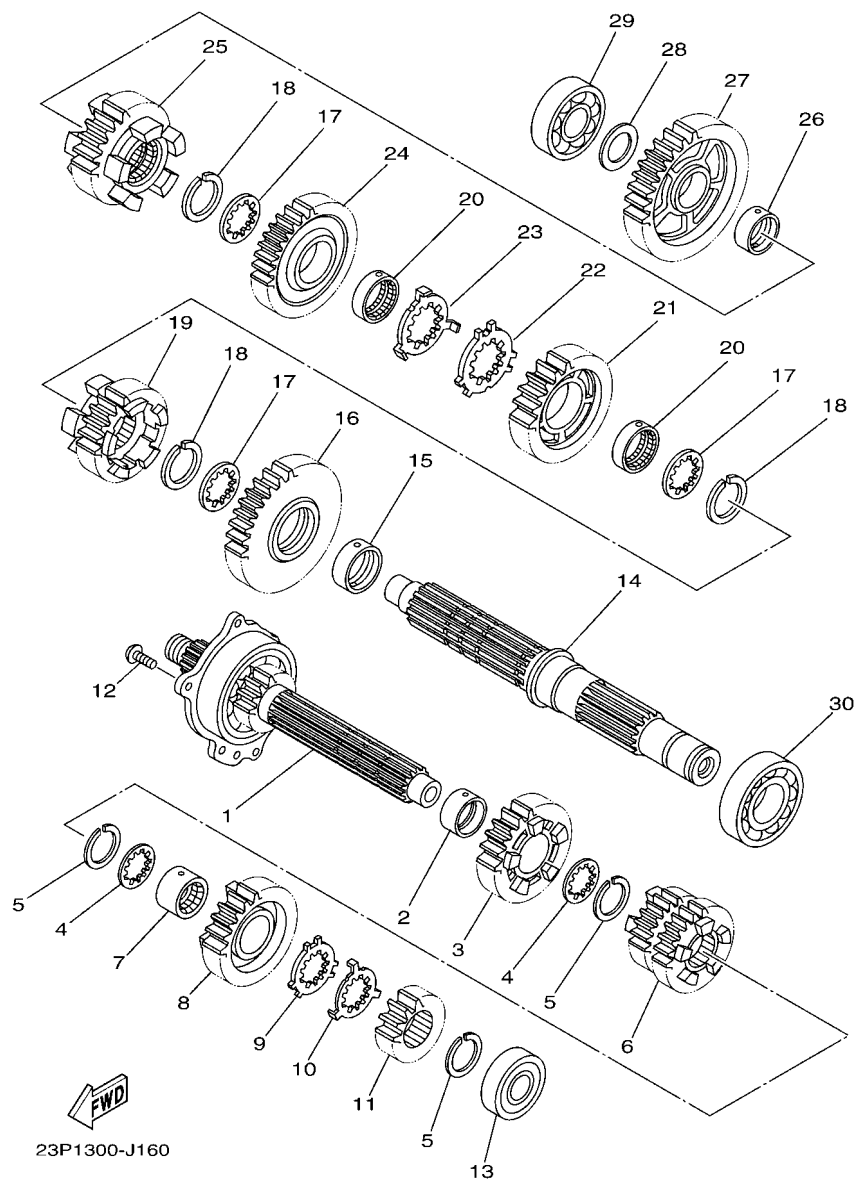
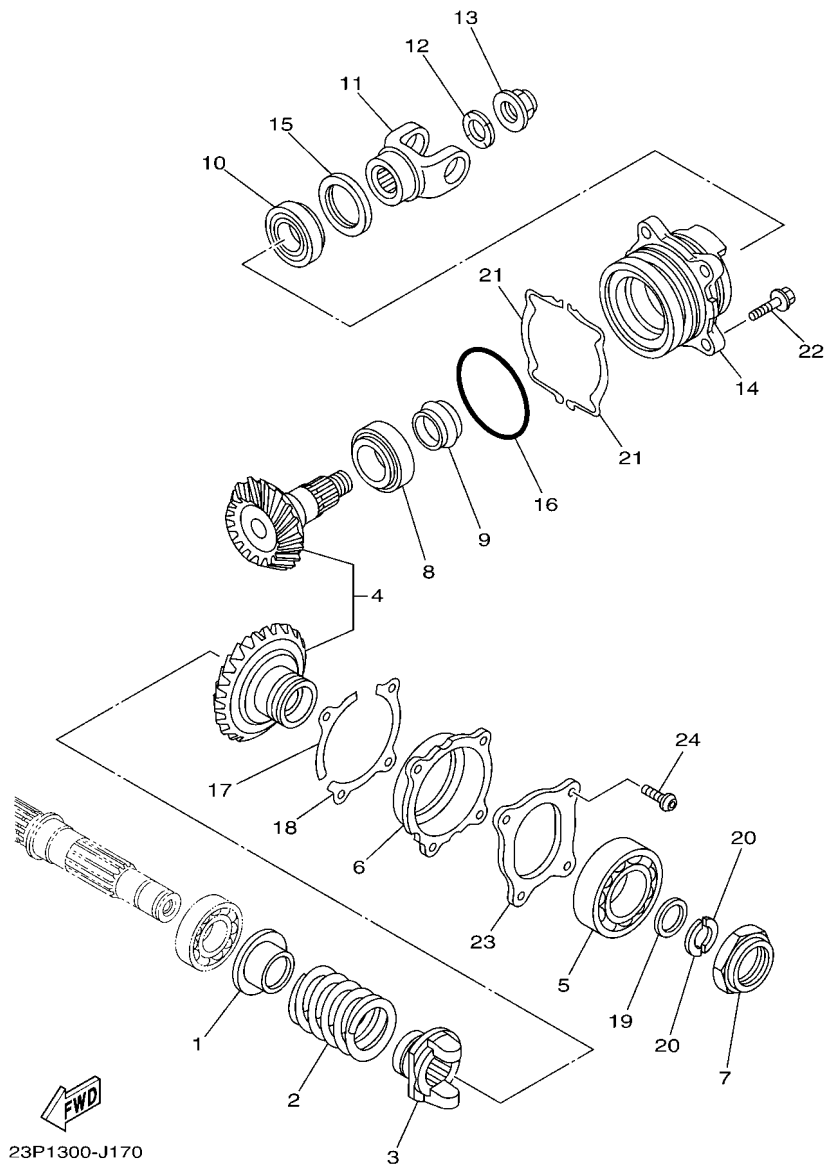


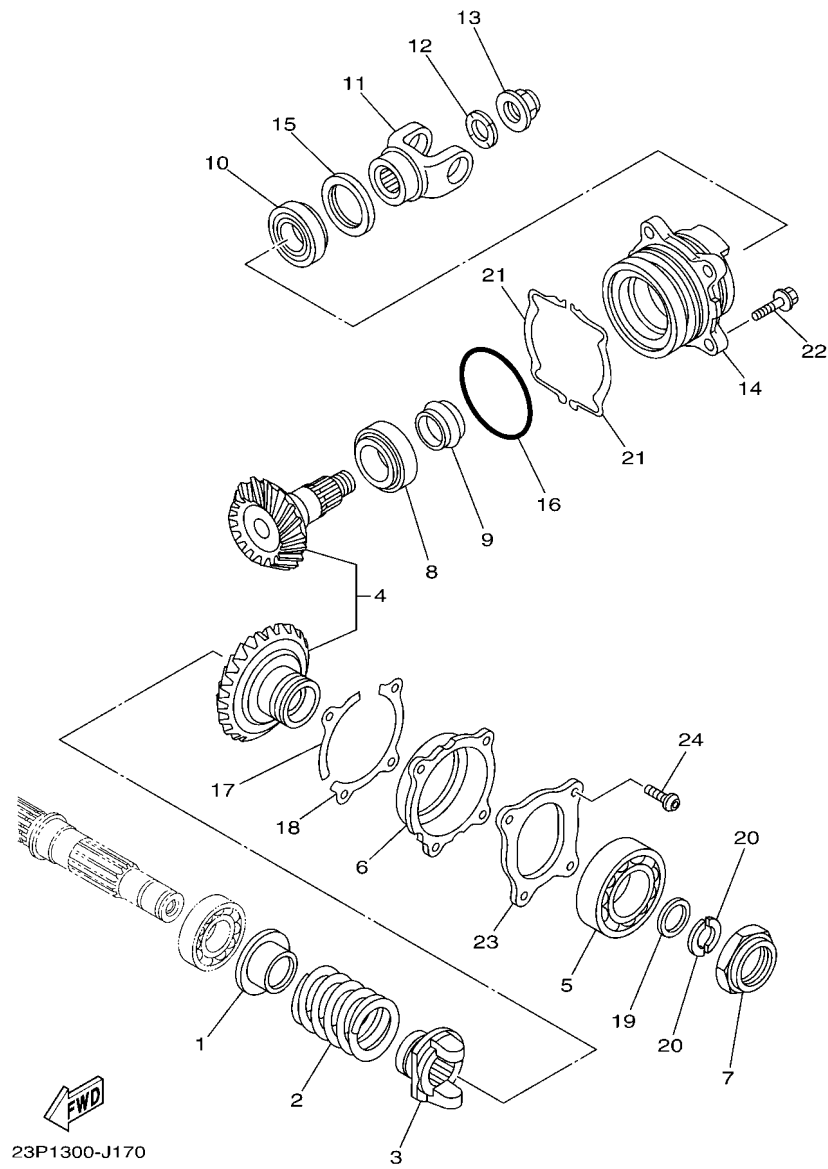
FIG. 16 TRANSMISSION

REF. NO.	PART NO.	DESCRIPTION	BP94	BP95		REMARKS
28	90201-224L4	WASHER, PLATE	1	1		
29	93306-37215	BEARING	1	1		
30	93306-28204	BEARING	1	1		
<hr/>						
<hr/>						
<hr/>						
<hr/>						
<hr/>						
<hr/>						
<hr/>						
<hr/>						
<hr/>						



**FIG. 17 MIDDLE DRIVE GEAR**

REF. NO.	PART NO.	DESCRIPTION	BP94	BP95			REMARKS
1	23P-17524-00	HOLDER	1	1			
2	23P-17528-00	SPRING, DAMPER	1	1			
3	23P-17527-00	CAM, DRIVEN	1	1			
4	23P-17530-00	PINION SET	1	1			
5	93306-20901	BEARING	1	1			
6	23P-17521-00	HOUSING, BEARING	1	1			
7	90179-44001	NUT	1	1			
8	93332-000A0	BEARING	1	1			
9	23P-17571-00	SPACER, EXPANSION	1	1			
10	93332-000A6	BEARING	1	1			
11	23P-17556-00	YOKE, JOINT	1	1			
12	90208-20001	WASHER, CONICAL SPRING	1	1			
13	90179-20015	NUT	1	1			
14	23P-17551-00	HOUSING, BEARING	1	1			
15	93102-43M42	OIL SEAL	1	1			
16	93210-82003	O-RING	1	1			
17	23P-17531-00	SHIM, PINION (0.10T)	1	1			UR
	23P-17531-10	SHIM, PINION (0.15T)	1	1			UR
	23P-17531-20	SHIM, PINION (0.20T)	1	1			UR
	23P-17531-30	SHIM, PINION (0.30T)	1	1			UR
	23P-17531-40	SHIM, PINION (0.40T)	1	1			UR
	23P-17531-50	SHIM, PINION (0.50T)	1	1			UR
18	23P-17687-00	SHIM (0.10T)	1	1			UR
	23P-17687-10	SHIM (0.15T)	1	1			UR
	23P-17687-20	SHIM (0.20T)	1	1			UR
	23P-17687-30	SHIM (0.30T)	1	1			UR
	23P-17687-40	SHIM (0.40T)	1	1			UR

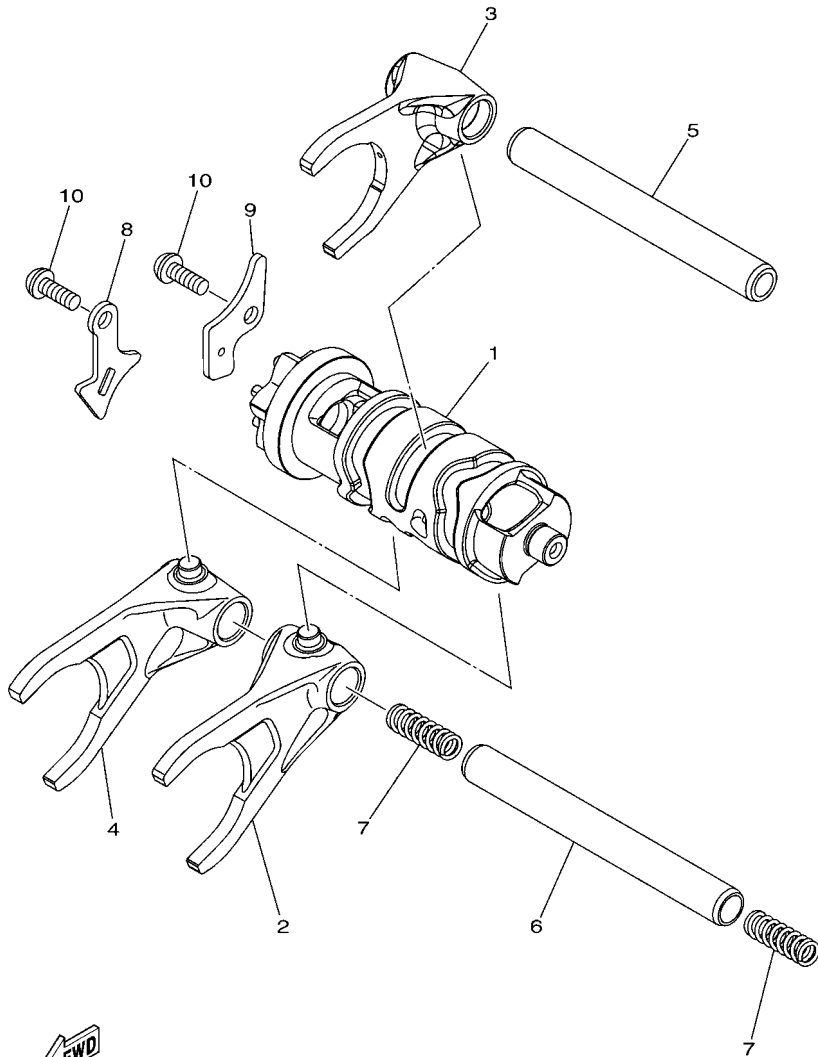


**FIG. 17 MIDDLE DRIVE GEAR**

REF. NO.	PART NO.	DESCRIPTION	BP94	BP95	REMARKS
18	23P-17687-50	SHIM (0.50T)	1	1	UR
19	90201-27014	WASHER, PLATE	1	1	
20	23P-17529-00	WASHER, THRUST	2	2	
21	23P-17537-00	SHIM, THRUST (0.10T)	2	2	UR
	23P-17537-10	SHIM, THRUST (0.15T)	2	2	UR
	23P-17537-20	SHIM, THRUST (0.20T)	2	2	UR
	23P-17537-30	SHIM, THRUST (0.30T)	2	2	UR
	23P-17537-40	SHIM, THRUST (0.40T)	2	2	UR
	23P-17537-50	SHIM, THRUST (0.50T)	2	2	UR
22	90105-08234	BOLT, FLANGE	4	4	
23	23P-17446-00	PLATE	1	1	
24	90149-08050	SCREW	4	4	

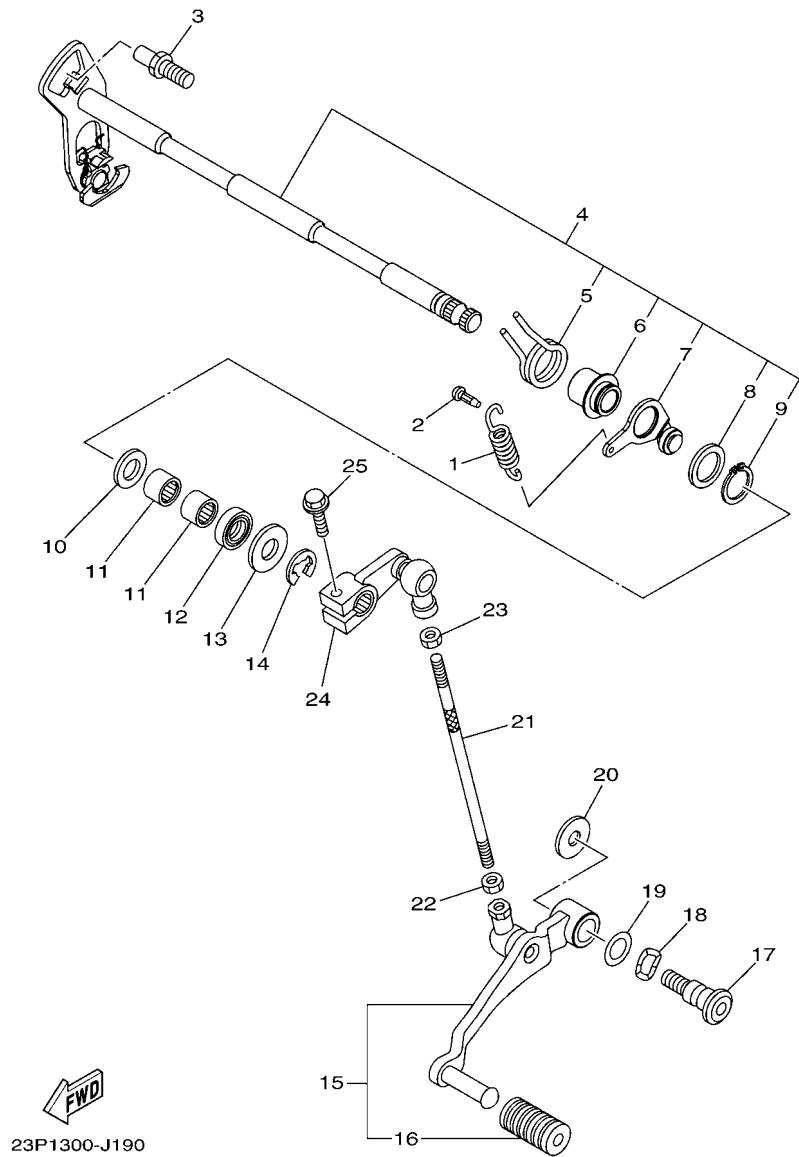


**FIG. 18 SHIFT CAM & FORK**



23P1300-J180

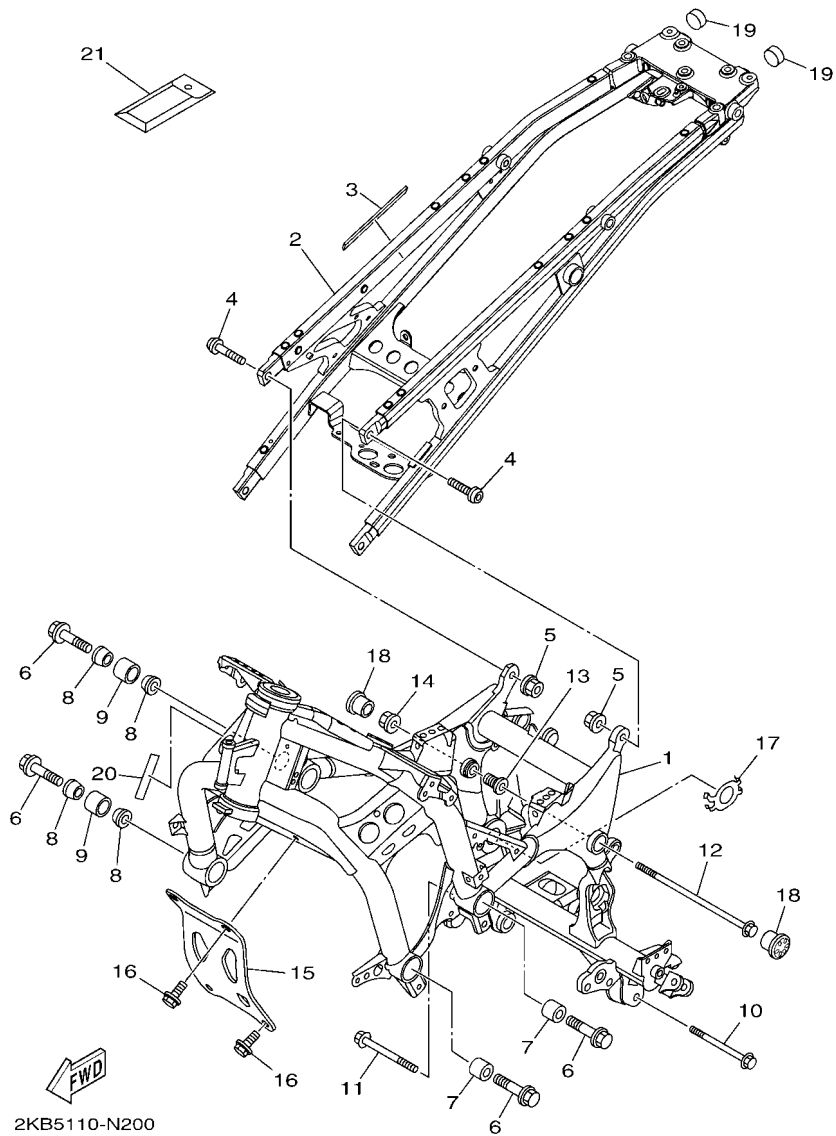
REF. NO.	PART NO.	DESCRIPTION	BP94	BP95	REMARKS
1	23P-18540-00	SHIFT CAM ASSY	1	1	
2	23P-18511-10	FORK, SHIFT 1	1	1	
3	23P-18512-10	FORK, SHIFT 2	1	1	
4	23P-18513-10	FORK, SHIFT 3	1	1	
5	23P-18531-00	BAR, SHIFT FORK GUIDE 1	1	1	
6	2C0-18535-00	BAR, SHIFT FORK GUIDE 2	1	1	
7	90501-080A2	SPRING, COMPRESSION	2	2	
8	23P-18536-00	STOPPER, SHIFT BAR	1	1	
9	23P-18562-00	PLATE, STOPPER 2	1	1	
10	90149-06177	SCREW	2	2	



23P1300-J190

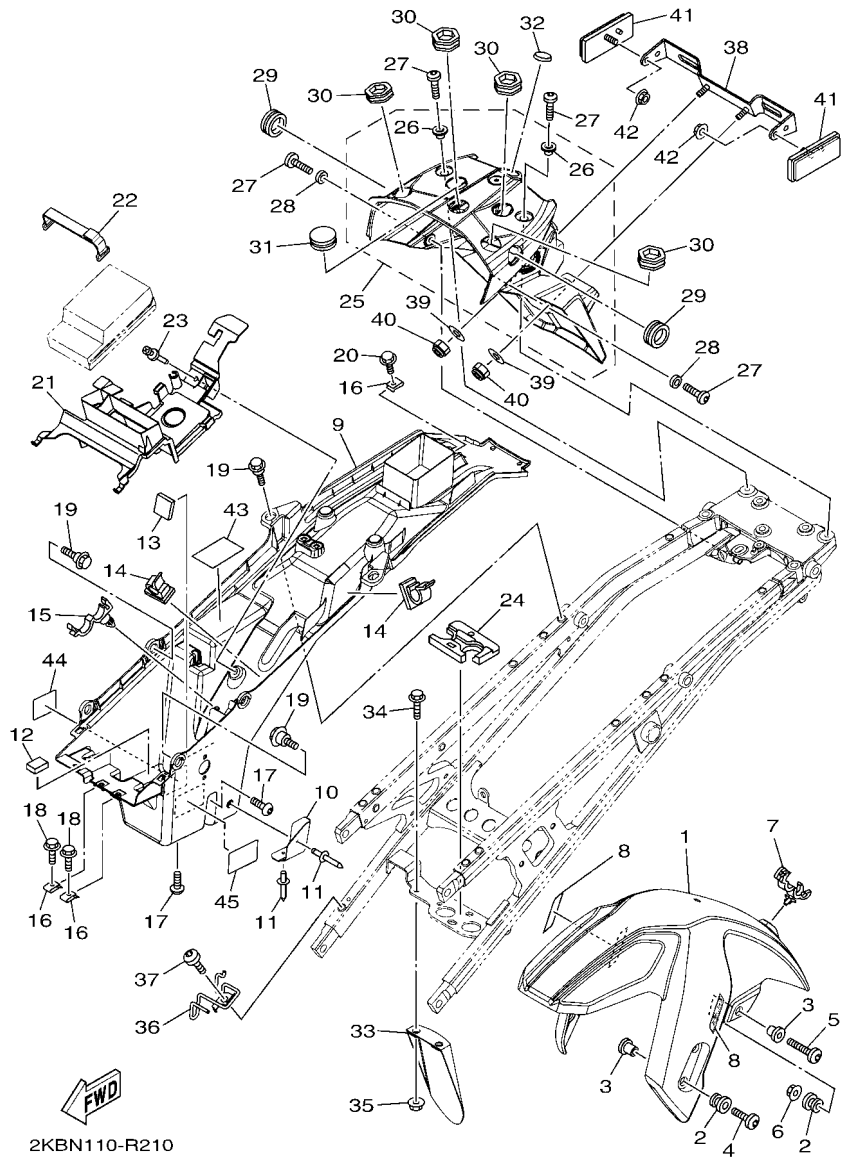
FIG. 19 SHIFT SHAFT

REF. NO.	PART NO.	DESCRIPTION	BP94	BP95	REMARKS
1	2C0-18144-00	HANGER, SPRING	1	1	
2	132-16346-00	HOOK, SPRING	1	1	
3	1D7-18127-00	STOPPER, SCREW	1	1	
4	23P-18101-02	SHIFT SHAFT ASSY	1	1	
5	90508-32141	.SPRING, TORSION	1	1	
6	2C0-18175-00	.SPACER	1	1	
7	2C0-18140-00	.STOPPER LEVER ASSY	1	1	
8	90201-177G4	.WASHER, PLATE	1	1	
9	99009-17400	.CIRCLIP	1	1	
10	90201-127E1	WASHER, PLATE	1	1	
11	93317-11295	BEARING	2	2	
12	93102-12106	OIL SEAL (SD 12-22-5 HS)	1	1	
13	90201-12575	WASHER, PLATE	1	1	
14	99002-10600	CIRCLIP	1	1	
15	23P-18110-00	SHIFT PEDAL ASSY	1	1	
16	1W6-18113-00	.COVER, SHIFT PEDAL	1	1	
17	4BP-27434-01	BOLT	1	1	
18	90206-12074	WASHER, WAVE	1	1	
19	90201-12013	WASHER, PLATE	1	1	
20	90201-08784	WASHER, PLATE	1	1	
21	2GV-18115-00	ROD, SHIFT	1	1	
22	90170-06228	NUT (COUNTER CLOCKWISE)	1	1	
23	95304-06700	NUT	1	1	
24	23P-18112-00	ARM, SHIFT	1	1	
25	95822-06020	BOLT, FLANGE	1	1	



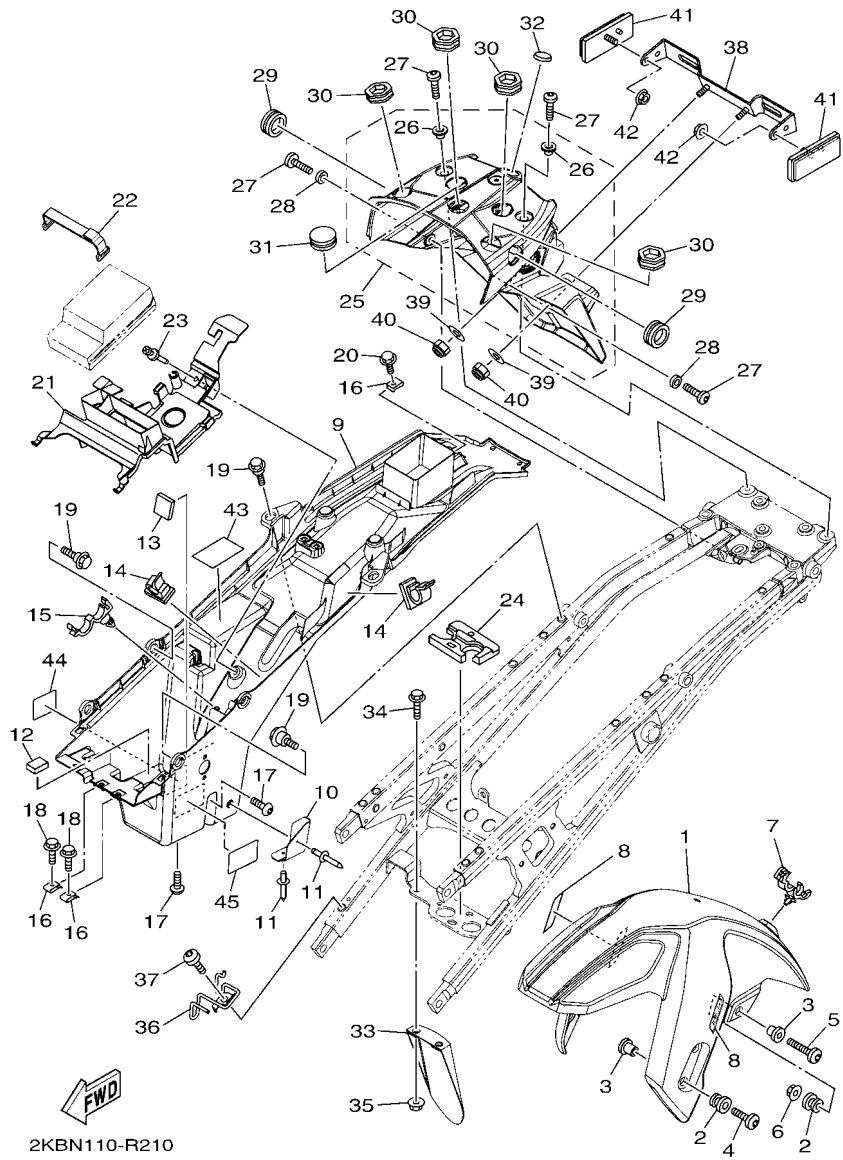
**FIG. 20 FRAME**

REF. NO.	PART NO.	DESCRIPTION	BP94	BP95	REMARKS
1	23P-21110-00	FRAME COMP.	1	1	
2	2KB-21190-10	REAR FRAME COMP.	1	1	
3	4D9-2837K-00	DAMPER 6	1	1	
4	90149-10003	SCREW	4	4	
5	95602-10200	NUT, S/L FLANGE	4	4	
6	90105-12077	BOLT, FLANGE	4	4	
7	23P-21116-00	COLLAR	2	2	
8	23P-21414-00	BOSS, ENGINE MOUNT	4	4	
9	23P-21424-00	BOSS, ENGINE MOUNT	2	2	
10	90105-10075	BOLT, FLANGE	1	1	
11	90105-10175	BOLT, FLANGE	1	1	
12	90105-10380	BOLT, FLANGE	1	1	
13	23P-21495-00	BOLT, ENGINE ADJUSTING	1	1	
14	90179-10028	NUT	1	1	
15	2BS-21318-00	STAY, ENGINE 4	1	1	
16	95812-12025	BOLT, FLANGE	4	4	
17	23P-2191B-00	PLATE 1	1	1	
18	2BS-2111A-00	CAP, MAIN PIPE	2	2	
19	3YX-2143A-00	CAP	2	2	
20	3HA-24141-00	PROTECTOR, FUEL TANK	1	1	
21	23P-28100-00	TOOL KIT	1	1	



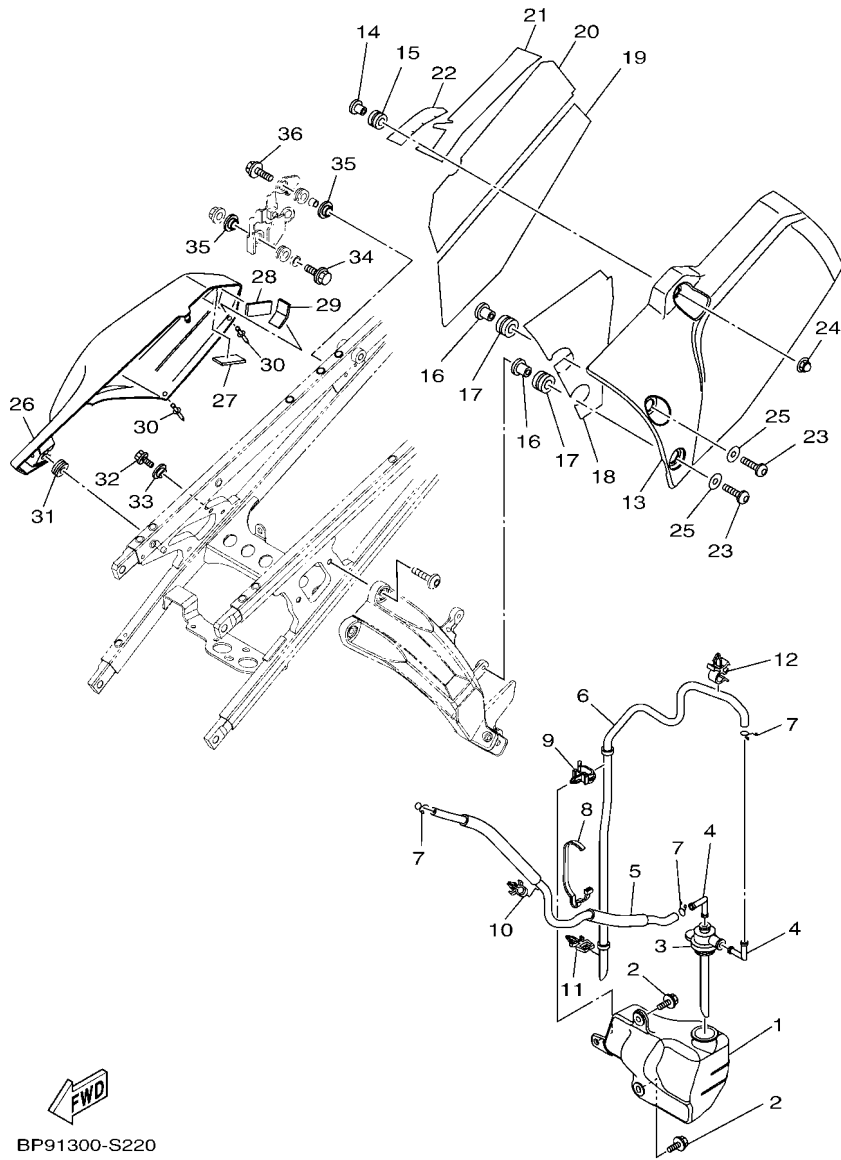
**FIG. 21 FENDER**

REF. NO.	PART NO.	DESCRIPTION	BP94	BP95	REMARKS
1	23P-21511-00-P6	FENDER, FRONT	1	1	MBL2 FOR DPBMC
2	90480-12072	GROMMET	6	6	
3	90387-06265	COLLAR	6	6	
4	90110-06202	BOLT, HEXAGON SOCKET HEAD	4	4	
5	90111-06063	BOLT, HEX. SOCKET BUTTON	2	2	
6	95602-06200	NUT, SELF-LOCKING	2	2	
7	90464-18002	CLAMP	1	1	
8	2BS-21578-00	EMBLEM	2	2	
9	23P-2160E-00	BOX	1	1	
10	23P-21652-00	PROTECTOR	1	1	
11	90267-40076	RIVET, BLIND	2	2	
12	4D9-24741-00	PAD, SEAT	1	1	
13	3KJ-24723-00	DAMPER, SEAT	1	1	
14	90464-20021	CLAMP	2	2	
15	90464-20010	CLAMP	1	1	
16	90183-060A6	NUT, SPRING	3	3	
17	92012-06014	BOLT, BUTTON HEAD	3	3	
18	95802-06014	BOLT, FLANGE	2	2	
19	90109-06208	BOLT	6	6	
20	95802-06020	BOLT, FLANGE	1	1	
21	2KB-2163A-00	COVER, REAR FENDER 1	1	1	
22	2D1-82131-00	BAND, BATTERY	1	1	
23	90269-06081	RIVET	1	1	
24	23P-21639-00	DAMPER 2	1	1	
25	23P-21685-10	BRACKET, LICENSE	1	1	
26	90387-06648	.COLLAR	2	2	
27	90111-06051	BOLT, HEX. SOCKET BUTTON	4	4	



**FIG. 21 FENDER**

REF. NO.	PART NO.	DESCRIPTION	BP94	BP95	REMARKS
28	90201-06778	WASHER, PLATE	2	2	
29	23P-24747-00	DAMPER, SEAT	2	2	
30	23P-21649-00	DAMPER	4	4	
31	90338-28239	PLUG	1	1	
32	4XV-2341B-00	EMBLEM	1	1	
33	23P-21642-00	GUARD, FLAP	1	1	
34	90119-06137	BOLT, WITH WASHER	2	2	
35	90179-06403	NUT	2	2	
36	2KB-21339-00	GUIDE, WIRE	1	1	
37	92012-06014	BOLT, BUTTON HEAD	1	1	
38	23P-84751-00	BRACKET, LICENSE	1	1	
39	90201-062A8	WASHER, PLATE	2	2	
40	95602-06100	NUT, S/L	2	2	
41	3Y6-85130-02	REAR REFLECTOR ASSY	2	2	
42	95707-05500	NUT, FLANGE	2	2	
43	5PS-21668-10	LABEL, TIRE	1	1	
44	5RU-21686-00	PLATE, ROUTING 2	1		FOR CAL
45	34B-21684-00	PLATE, ROUTING	1		FOR CAL

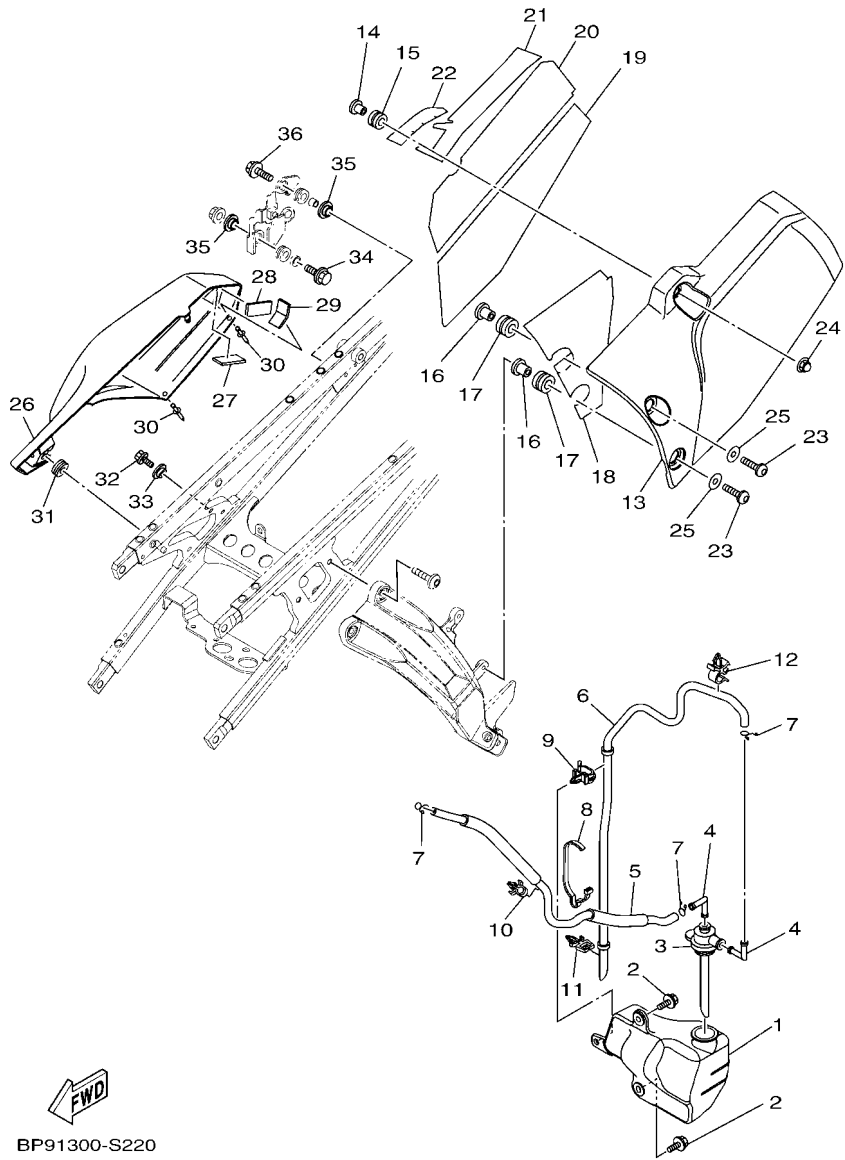


BP91300-S220

FIG. 22 SIDE COVER

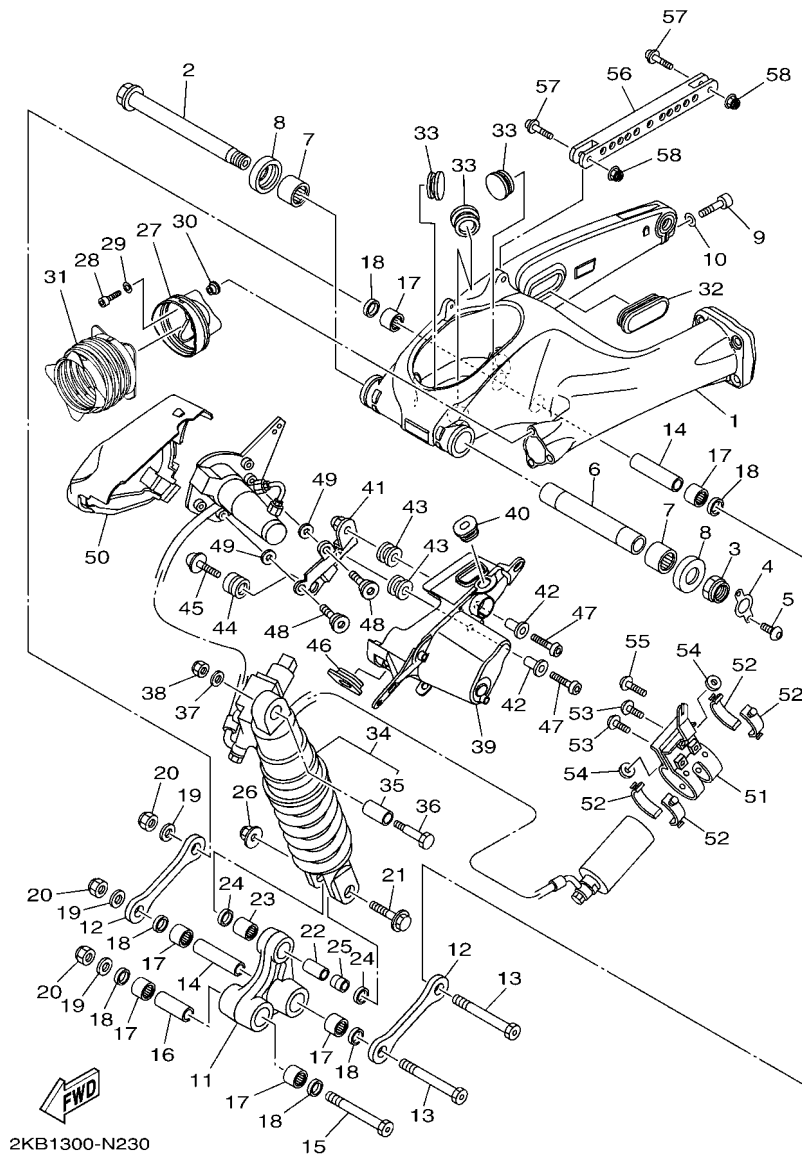
REF. NO.	PART NO.	DESCRIPTION	BP94	BP95	REMARKS
1	23P-21871-00	TANK, RECOVERY	1	1	
2	90119-06137	BOLT, WITH WASHER	2	2	
3	23P-21875-00	CAP	1	1	
4	26H-21828-00	ELBOW	2	2	
5	23P-21816-00	PIPE 1	1	1	
6	23P-21877-00	PIPE, OVERFLOW	1	1	
7	90467-08075	CLIP	3	3	
8	90464-07M40	CLAMP	1	1	
9	90464-14M55	CLAMP	1	1	
10	90464-08008	CLAMP	1	1	
11	90464-07M56	CLAMP	1	1	
12	90464-09129	CLAMP	1	1	
13	2BS-14718-00	PROTECTOR, MUFFLER 1	1	1	
14	90387-087L0	COLLAR	1	1	
15	90480-12581	GROMMET	1	1	
16	90387-10102	COLLAR	2	2	
17	90480-01025	GROMMET	2	2	
18	2BS-1475P-00	SEAT	1	1	
19	2BS-1476P-00	SEAT	1	1	
20	2BS-1477P-00	SEAT	1	1	
21	2BS-1479P-00	SEAT 5	1	1	
22	2BS-1471P-00	SEAT, 6	1	1	
23	90111-06038	BOLT,HEX. SOCKET BUTTON	2	2	
24	90176-06047	NUT,CAP	1	1	
25	90201-06112	WASHER, PLATE	2	2	
26	2KB-21721-00-P0	COVER, SIDE 2	1	1	MBL2 FOR DPBMC
27	1S3-82122-00	SEAT, BATTERY	1	1	

**FIG. 22 SIDE COVER**



BP91300-S220

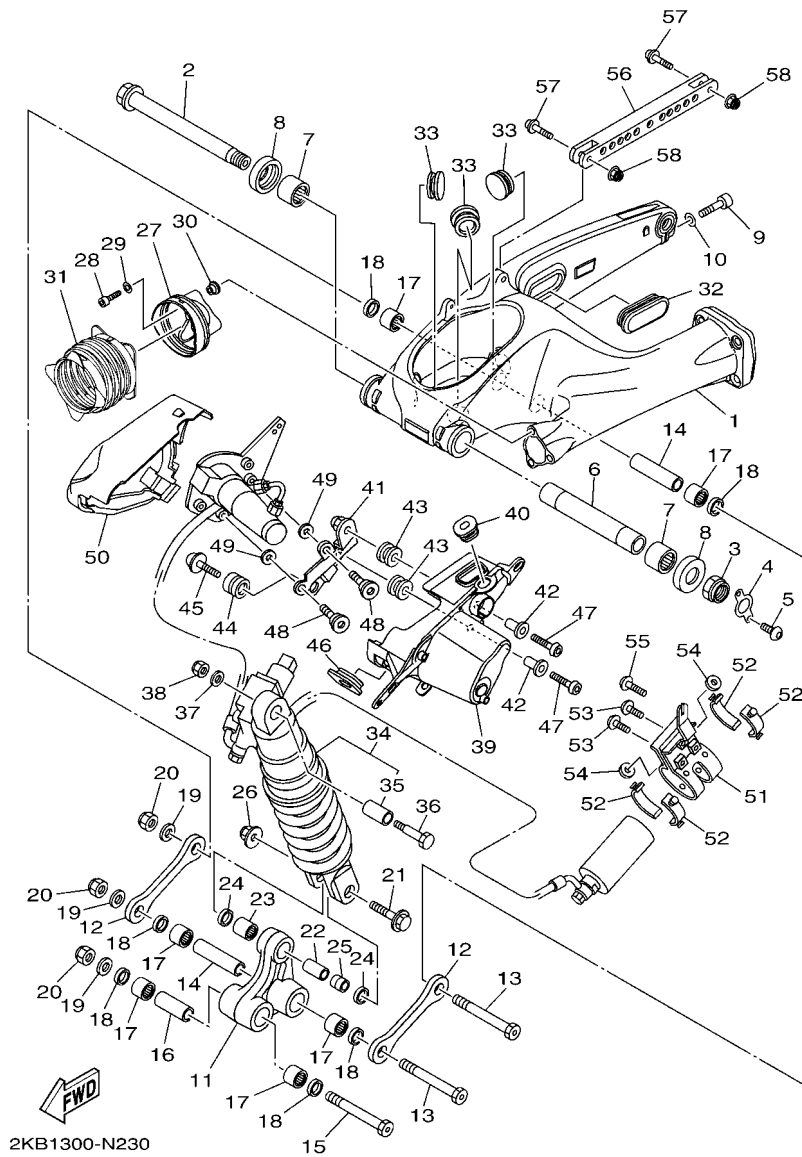
REF. NO.	PART NO.	DESCRIPTION	BP94	BP95	REMARKS
28	14B-28237-00	DAMPER 3	1	1	
29	3D7-1442H-00	DAMPER 4	1	1	
30	90269-06081	RIVET	2	2	
31	90480-12325	GROMMET	1	1	
32	95802-08016	BOLT, FLANGE	1	1	
33	90387-08079	COLLAR	1	1	
34	95802-06020	BOLT, FLANGE	1	1	
35	90387-06066	COLLAR	2	2	
36	95802-06025	BOLT, FLANGE	1	1	



**FIG. 23 REAR ARM & SUSPENSION**

REF. NO.	PART NO.	DESCRIPTION	BP94	BP95	REMARKS
1	23P-22110-00	REAR ARM COMP.	1	1	
2	23P-22141-00	SHAFT, PIVOT	1	1	
3	90185-22009	NUT, SELF-LOCKING	1	1	
4	23P-22163-00	BRACKET	1	1	
5	92012-05008	BOLT, BUTTON HEAD	2	2	
6	23P-22184-00	BUSH	1	1	
7	93317-330A0	BEARING	2	2	
8	23P-22128-00	COVER, THRUST 1	2	2	
9	91312-10040	BOLT, HEXAGON SOCKET HEAD	1	1	
10	92902-10600	WASHER, PLATE	1	1	
11	2KB-2217A-00	ARM, RELAY	1	1	
12	2KB-2217M-00	ARM 1	2	2	
13	90109-14008	BOLT	2	2	
14	90387-14014	COLLAR	2	2	
15	90109-14009	BOLT	1	1	
16	90387-14015	COLLAR	1	1	
17	93315-32057	BEARING	6	6	
18	93109-20076	OIL SEAL	6	6	
19	90201-14027	WASHER, PLATE	3	3	
20	90185-14010	NUT, SELF-LOCKING	3	3	
21	90105-10378	BOLT, FLANGE	1	1	
22	90387-10104	COLLAR	1	1	
23	93315-31759	BEARING	1	1	
24	93109-17071	OIL SEAL	2	2	
25	90387-10105	COLLAR	1	1	
26	95607-10200	NUT, U FLANGE	1	1	
27	23P-2217H-00	COVER, DUST	1	1	

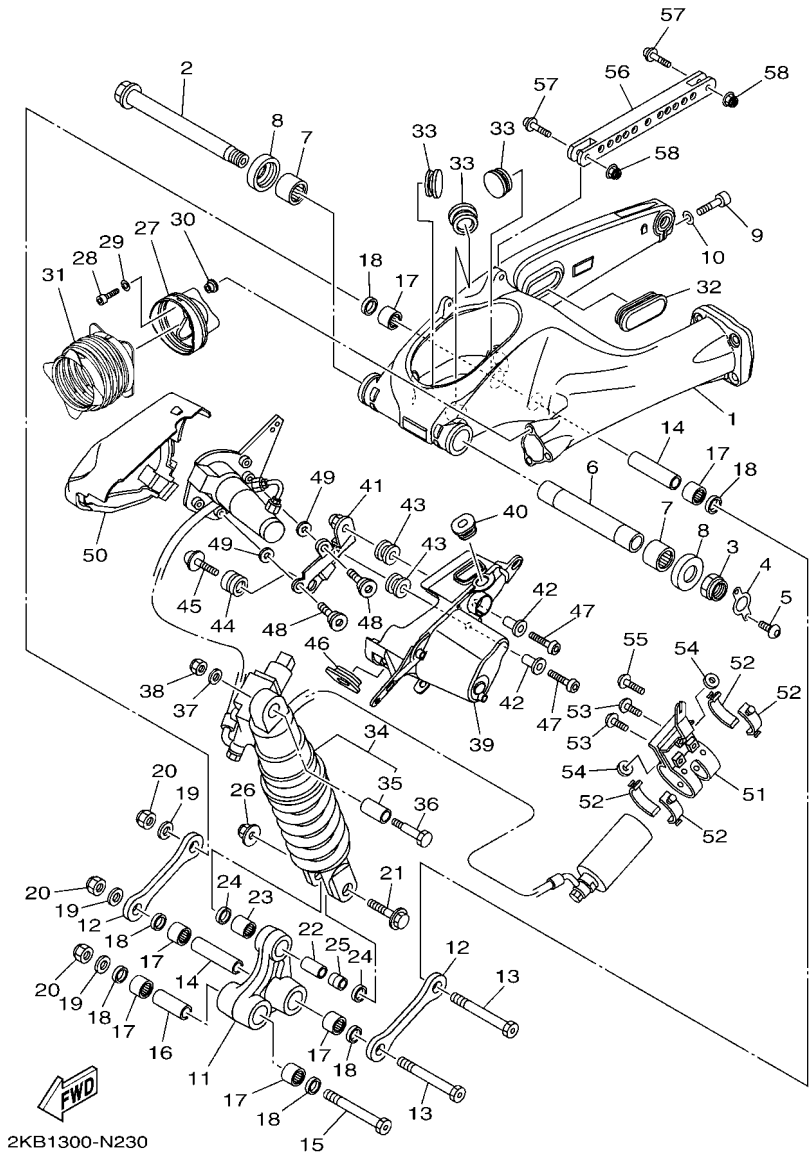




**FIG. 23 REAR ARM & SUSPENSION**

REF. NO.	PART NO.	DESCRIPTION	BP94	BP95	REMARKS
28	90110-05031	BOLT, HEXAGON SOCKET HEAD	3	3	
29	92902-05200	WASHER	3	3	
30	90387-05035	COLLAR	3	3	
31	23P-22189-00	BOOT, RUBBER	1	1	
32	5JW-2219X-00	COVER	1	1	
33	90338-30267	PLUG	3	3	
34	2KB-22210-10	SHOCK ABSORBER ASSY, REAR	1	1	
35	5RM-22216-00	.BUSH, REAR SHOCK ABSORBER	1	1	
36	90109-10028	BOLT	1	1	
37	90201-10036	WASHER, PLATE	1	1	
38	95612-10100	NUT, U	1	1	
39	2KB-22325-00	COVER, DUST	1	1	
40	90480-01558	GROMMET	1	1	
41	2KB-22324-00	STAY, DUST COVER	1	1	
42	90387-067K8	COLLAR	2	2	
43	4WM-84366-00	DAMPER, HEADLIGHT 1	2	2	
44	5J0-83513-00	DAMPER	1	1	
45	90164-05001	SCREW, TAPPING	1	1	
46	90480-13027	GROMMET	1	1	
47	92012-06020	BOLT, BUTTON HEAD	2	2	
48	90109-06182	BOLT	2	2	
49	90201-07081	WASHER, PLATE	2	2	
50	2KB-2171L-00	MOLE, SIDE COVER 1	1	1	
51	2KB-22262-00	HOLDER, SUB TANK	1	1	
52	24X-22261-00	DAMPER, SUB TANK	4	4	
53	92012-06010	BOLT, BUTTON HEAD	2	2	
54	90201-06025	WASHER, PLATE	2	2	

FIG. 23 REAR ARM & SUSPENSION



REF. NO.	PART NO.	DESCRIPTION	BP94	BP95	REMARKS
55	92012-08012	BOLT, BUTTON HEAD	1	1	
56	23P-25371-00	BAR, TENSION	1	1	
57	90110-08007	BOLT, HEXAGON SOCKET HEAD	2	2	
58	95602-08200	NUT, U FLANGE	2	2	

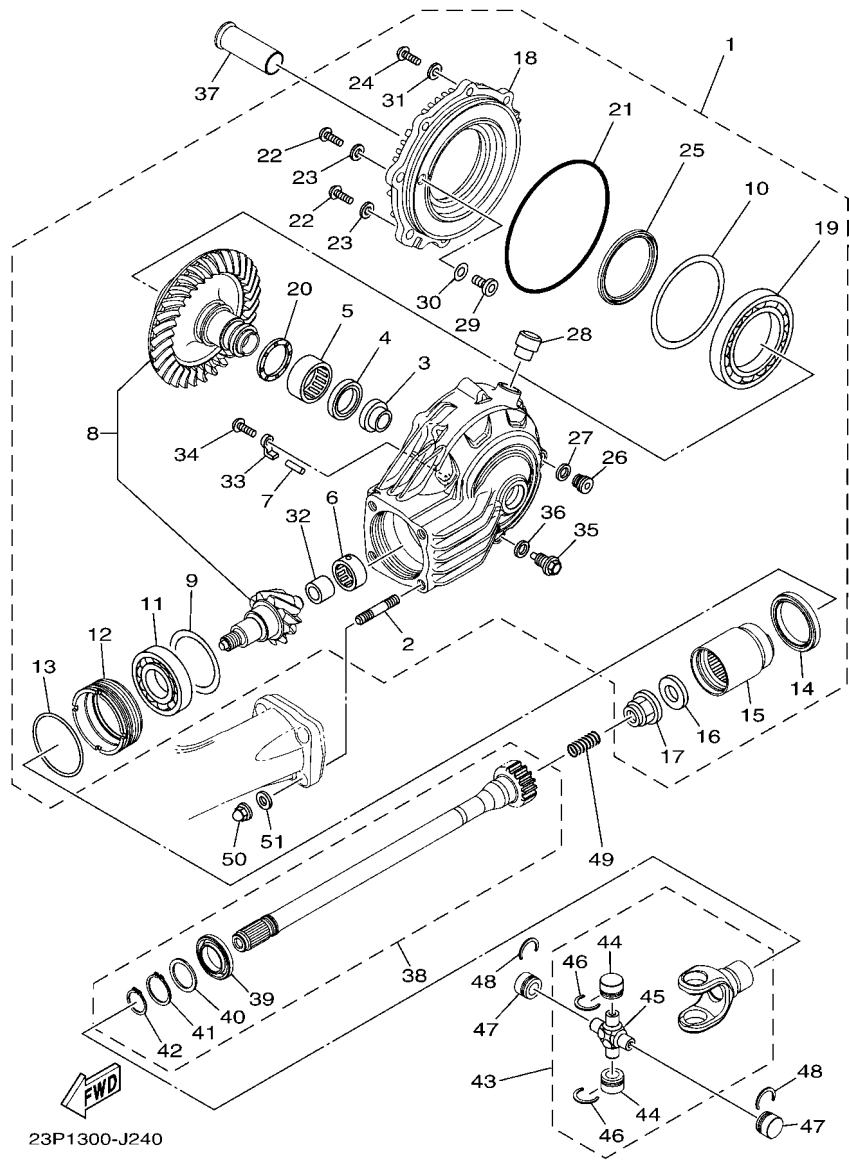


FIG. 24 DRIVE SHAFT

REF. NO.	PART NO.	DESCRIPTION	BP94	BP95	REMARKS
1	23P-46101-00	REAR AXLE GEAR CASE ASSY	1	1	
2	90116-10055	.BOLT, STUD	4	4	
3	23P-46153-00	.COLLAR, GUIDE	1	1	
4	93102-32480	.OIL SEAL	1	1	
5	93311-43729	.BEARING	1	1	
6	93311-62597	.BEARING	1	1	
7	93605-23164	.PIN, DOWEL	1	1	
8	23P-461A0-00	.GEAR SET	1	1	
9	2S3-46119-00	.SHIM, THRUST (T0.15)	1	1	UR
	2S3-46119-10	.SHIM, THRUST (T0.3)	1	1	UR
	2S3-46119-20	.SHIM, THRUST (T0.4)	1	1	UR
	2S3-46119-30	.SHIM, THRUST (T0.45)	1	1	UR
	2S3-46119-40	.SHIM, THRUST (T0.5)	1	1	UR
	2S3-46119-50	.SHIM, THRUST (T0.6)	1	1	UR
	2S3-46119-60	.SHIM, THRUST (T0.2)	1	1	UR
	2S3-46119-70	.SHIM, THRUST (T0.25)	1	1	UR
10	1J7-46117-Y0-25	.SHIM, RING GEAR (0.25T)	1	1	UR
	1J7-46117-Y0-30	.SHIM, RING GEAR (0.30T)	1	1	UR
	1J7-46117-Y0-40	.SHIM, RING GEAR (0.40T)	1	1	UR
	1J7-46117-Y0-50	.SHIM, RING GEAR (0.50T)	1	1	UR
11	93306-20724	.BEARING	1	1	
12	23P-46125-00	.RETAINER, BEARING	1	1	
13	93210-69628	.O-RING	1	1	
14	93102-50009	.OIL SEAL	1	1	
15	23P-46123-00	.COUPLING, GEAR	1	1	
16	90208-20001	.WASHER, CONICAL SPRING	1	1	
17	90179-20015	.NUT	1	1	

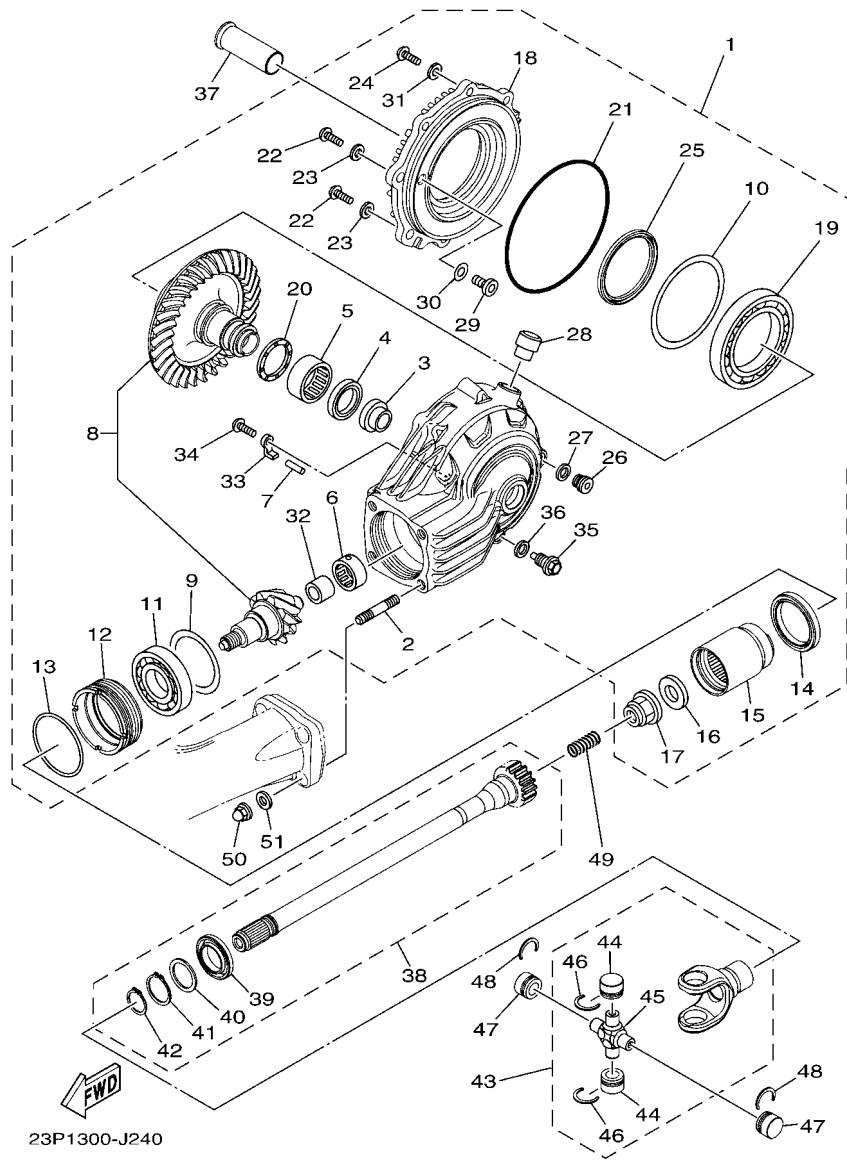


FIG. 24 DRIVE SHAFT

REF. NO.	PART NO.	DESCRIPTION	BP94	BP95	REMARKS
18	23P-46152-00	.HOUSING, BEARING	1	1	
19	93316-01403	.BEARING	1	1	
20	22U-46118-00-12	.SHIM, THRUST (1.2T)	1	1	UR
	22U-46118-00-14	.SHIM, THRUST (1.4T)	1	1	UR
	22U-46118-00-16	.SHIM, THRUST (1.6T)	1	1	UR
	22U-46118-00-18	.SHIM, THRUST (1.8T)	1	1	UR
	22U-46118-00-20	.SHIM, THRUST (2.0T)	1	1	UR
21	93211-54698	.O-RING	1	1	
22	90149-10055	.SCREW	2	2	
23	90201-10045	.WASHER, PLATE	2	2	
24	90149-08051	.SCREW	6	6	
25	93102-70004	.OIL SEAL	1	1	
26	90340-14002	.PLUG, STRAIGHT SCREW	1	1	
27	214-11198-01	.GASKET	1	1	
28	2H7-17590-00	.BREATHER COMP.	1	1	
29	1FK-46156-00	.STOPPER, RING GEAR	1	1	
30	1FK-46157-00-15	.SHIM, STOPPER (T=0.15)	1	1	UR
	1FK-46157-00-20	.SHIM, STOPPER (T=0.20)	1	1	UR
31	90201-08043	.WASHER, PLATE	6	6	
32	23P-46122-00	.RACE, INNER	1	1	
33	2S3-46862-00	.HOLDER	1	1	
34	90149-06158	.SCREW	1	1	
35	90340-14004	.PLUG, STRAIGHT SCREW	1	1	
36	214-11198-01	.GASKET	1	1	
37	23P-4615A-00	COLLAR, GUIDE 1	1	1	
38	23P-46171-00	SHAFT DRIVE ASSY	1	1	
39	93108-49003	.OIL SEAL	1	1	

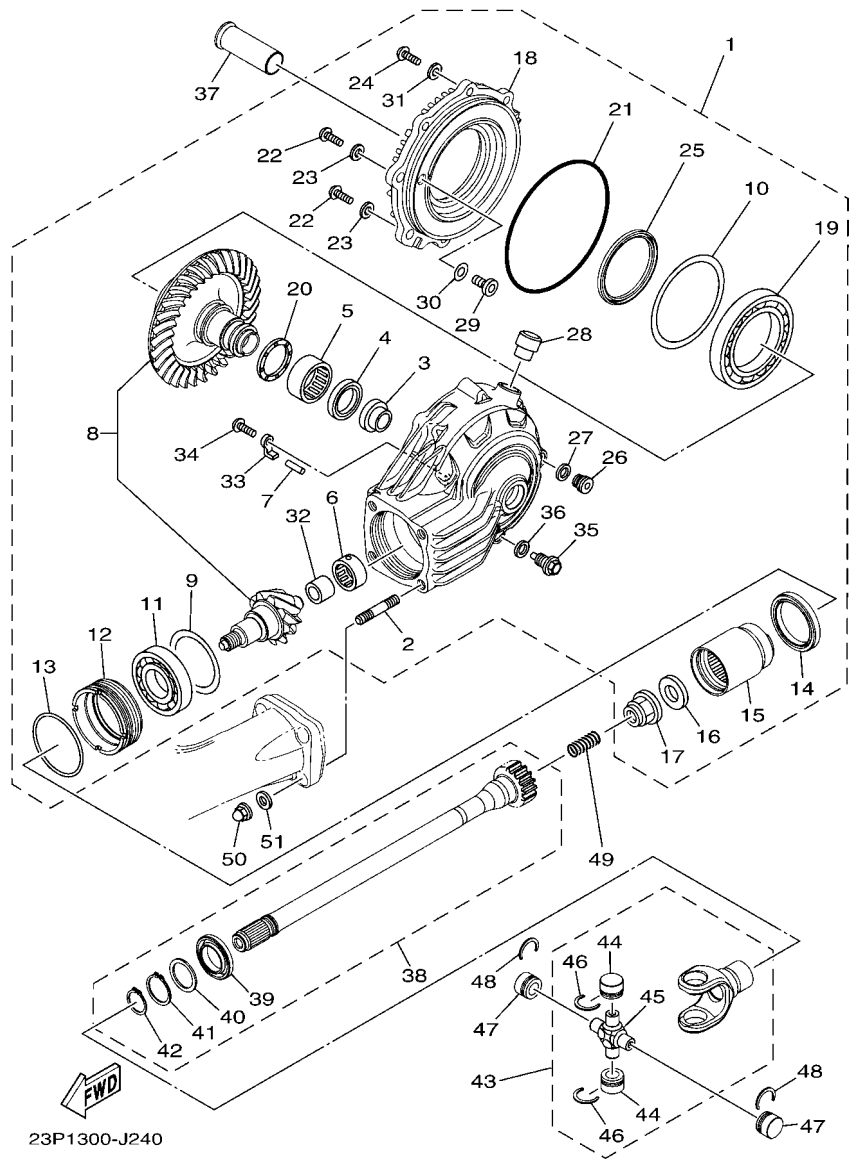
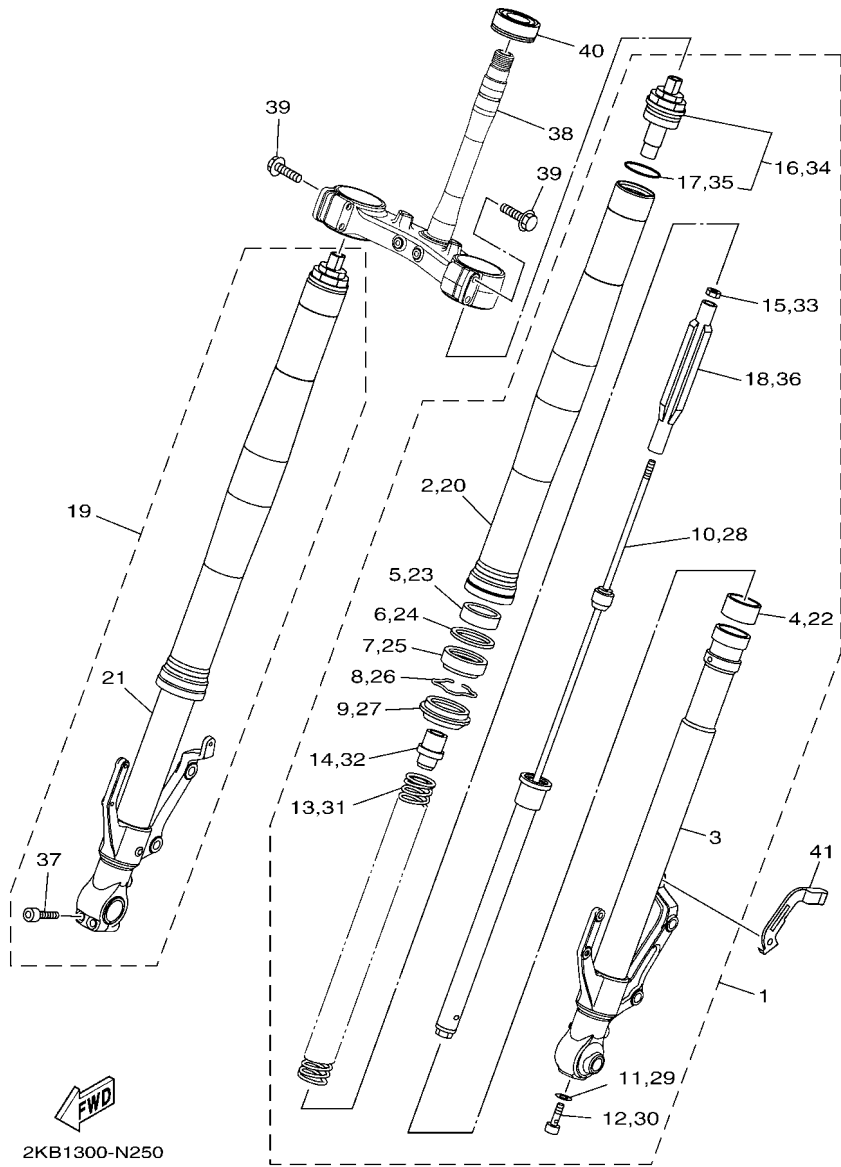


FIG. 24 DRIVE SHAFT

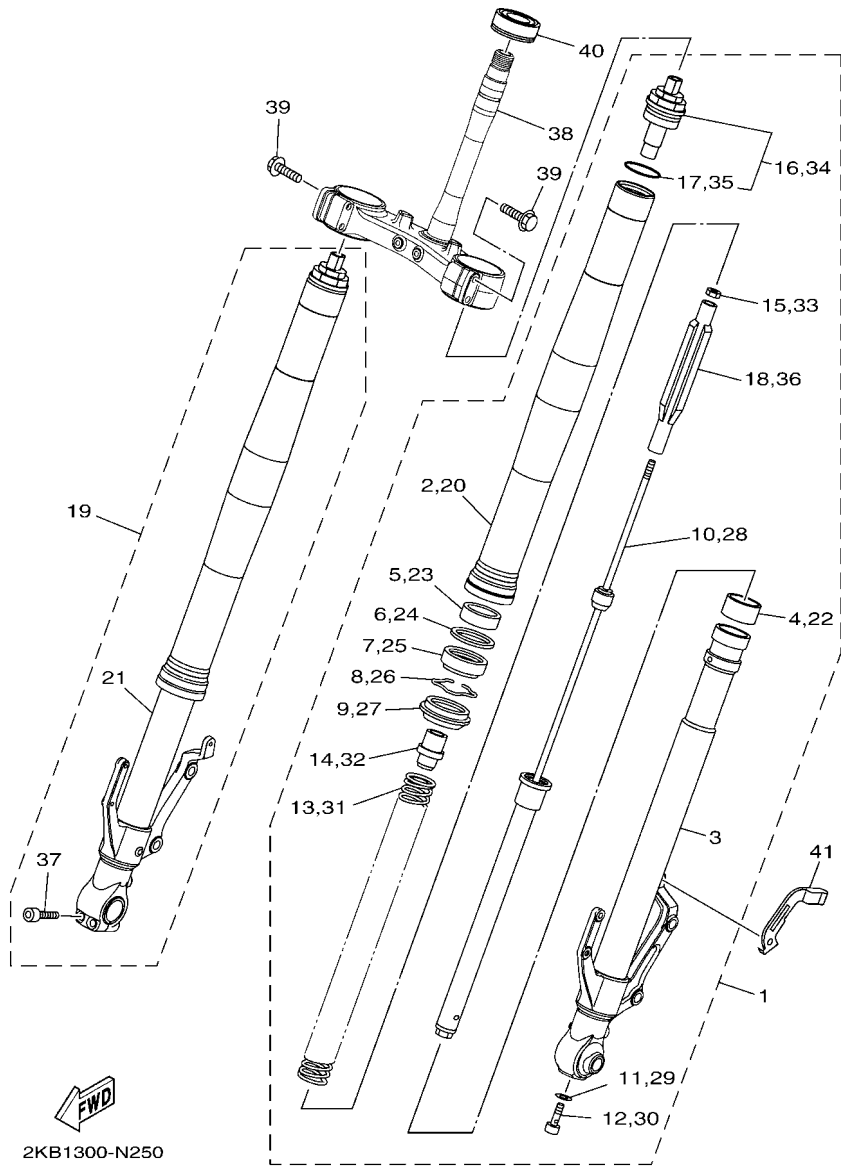
REF. NO.	PART NO.	DESCRIPTION	BP94	BP95	REMARKS
40	90201-29M01	.WASHER, PLATE	1	1	
41	93410-29095	.CIRCLIP	1	1	
42	93410-23056	.CIRCLIP	1	1	
43	23P-46180-00	CROSS JOINT COMP.	1	1	
44	93399-99963	.BEARING	2	2	
45	23P-46187-00	.SPIDER	1	1	
46	93440-22196	.CIRCLIP	2	2	
47	93399-99963	BEARING	2	2	
48	93440-22196	CIRCLIP	2	2	
49	90501-20122	SPRING, COMPRESSION	1	1	
50	90176-10075	NUT, CROWN	4	4	
51	92990-10600	WASHER, PLATE	4	4	

**FIG. 25 FRONT FORK**



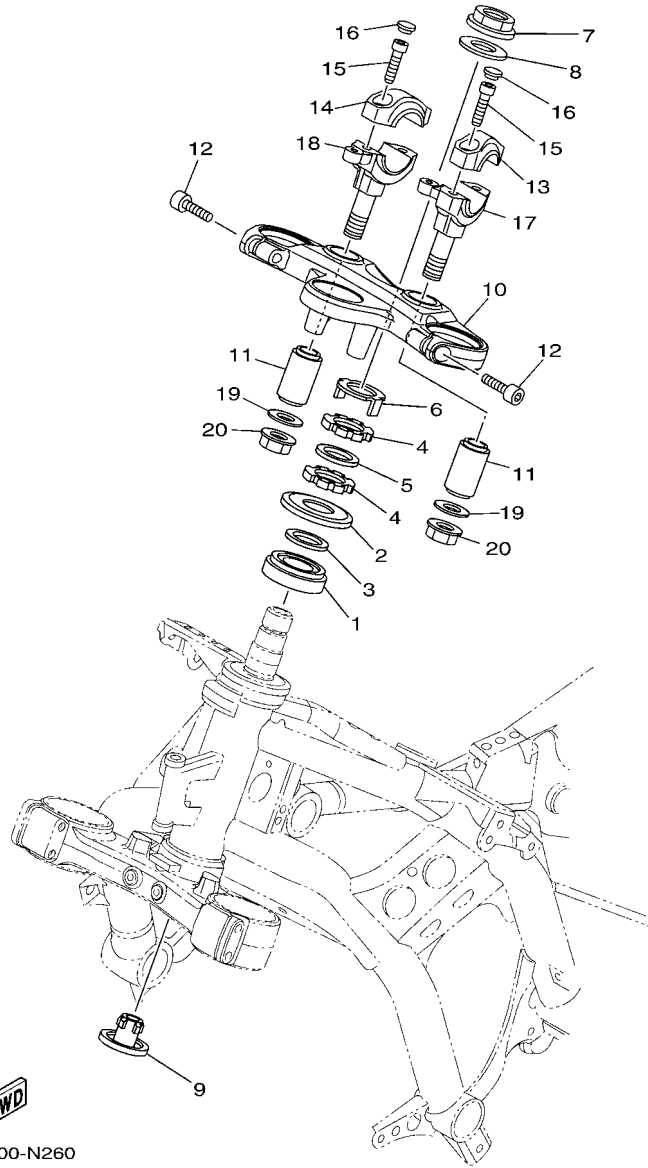
REF. NO.	PART NO.	DESCRIPTION	BP94	BP95	REMARKS
1	2KB-23102-20	FRONT FORK ASSY (L.H)	1	1	
2	2BS-23136-20	.TUBE, OUTER 2	1	1	
3	2KB-23110-00	.INNER TUBE COMP.1	1	1	
4	5EB-23171-00	.PISTON, FRONT FORK	1	1	
5	5EB-23125-00	.METAL, SLIDE 1	1	1	(KYB)
6	4V4-23146-L0	.WASHER, OIL SEAL	1	1	(KYB)
7	4PU-23145-01	.OIL SEAL	1	1	
8	4V4-23153-L0	.RING, SNAP	1	1	(KYB)
9	4PU-23144-00	.SEAL, DUST	1	1	
10	2KB-23170-10	.CYLINDER COMP., FRONT FORK	1	1	
11	509-23158-L0	.GASKET	1	1	(KYB)
12	278-23181-50	.BOLT, HEXAGON SOCKET HEAD	1	1	
13	2KB-23141-00	.SPRING, FRONT FORK	1	1	
14	2KB-23118-00	.SPACER	1	1	
15	3LC-23357-00	.NUT	1	1	
16	2KB-23111-00	.BOLT, CAP	1	1	
17	39P-23147-00	.O-RING	1	1	
18	2KB-23117-00	.GUIDE, SPRING	1	1	
19	2KB-23103-20	FRONT FORK ASSY (R.H)	1	1	
20	2BS-23136-20	.TUBE, OUTER 2	1	1	
21	2KB-23120-00	.INNER TUBE COMP.2	1	1	
22	5EB-23171-00	.PISTON, FRONT FORK	1	1	
23	5EB-23125-00	.METAL, SLIDE 1	1	1	(KYB)
24	4V4-23146-L0	.WASHER, OIL SEAL	1	1	(KYB)
25	4PU-23145-01	.OIL SEAL	1	1	
26	4V4-23153-L0	.RING, SNAP	1	1	(KYB)
27	4PU-23144-00	.SEAL, DUST	1	1	

**FIG. 25 FRONT FORK**



REF. NO.	PART NO.	DESCRIPTION	BP94	BP95	REMARKS
28	2KB-23170-00	.CYLINDER COMP., FRONT FORK	1	1	
29	509-23158-L0	.GASKET	1	1	(KYB)
30	278-23181-50	.BOLT, HEXAGON SOCKET HEAD	1	1	
31	2KB-23141-00	.SPRING, FRONT FORK	1	1	
32	2KB-23118-00	.SPACER	1	1	
33	3LC-23357-00	.NUT	1	1	
34	2KB-23111-00	.BOLT, CAP	1	1	
35	39P-23147-00	.O-RING	1	1	
36	2KB-23117-00	.GUIDE, SPRING	1	1	
37	91314-08040	.BOLT, HEXAGON SOCKET HEAD	2	2	
38	23P-23340-00	UNDER BRACKET COMP.	1	1	
39	95022-08040	BOLT, FLANGE	4	4	
40	93332-00081	BEARING	1	1	
41	23P-25875-00	HOLDER, BRAKE HOSE 1	1	1	

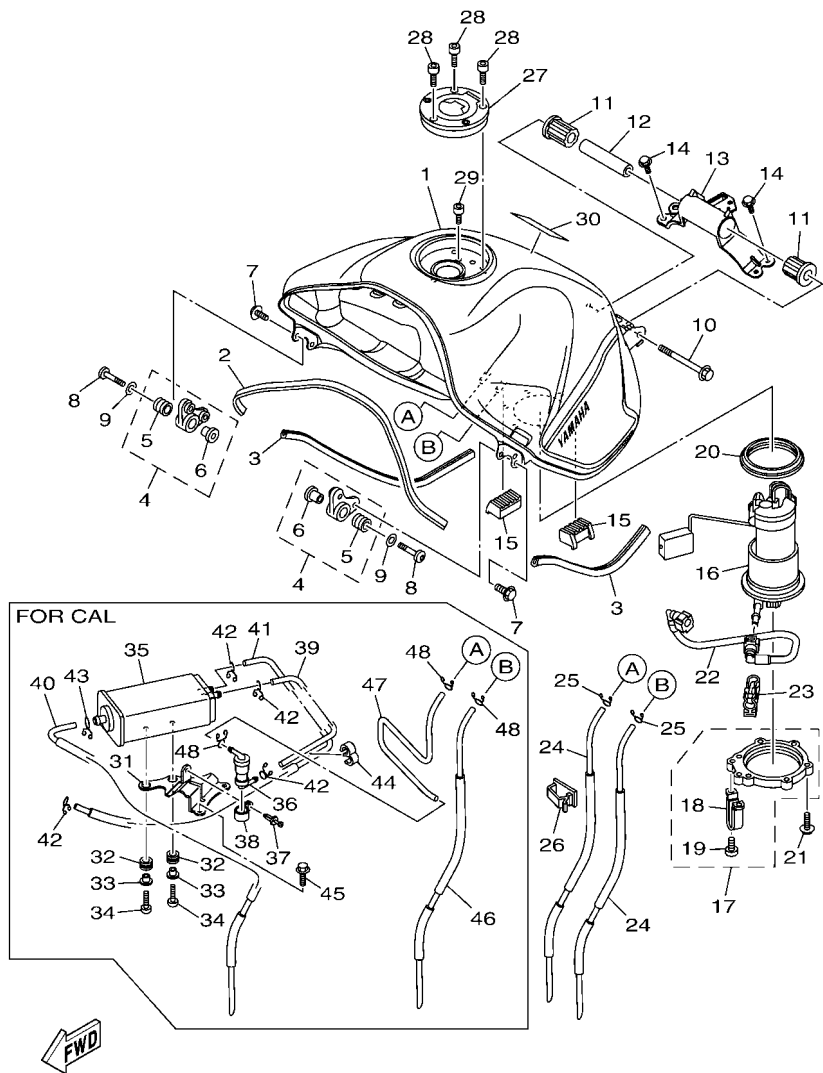
**FIG. 26 STEERING**



2BS1300-N260

REF. NO.	PART NO.	DESCRIPTION	BP94	BP95	REMARKS
1	93332-00078	BEARING	1	1	
2	23P-23416-00	COVER, BALL RACE 2	1	1	
3	90201-282R3	WASHER, PLATE	1	1	
4	90179-28011	NUT	2	2	
5	90202-28216	WASHER, PLATE	1	1	
6	4GY-23418-00	WASHER, SPECIAL	1	1	
7	2BS-23357-00	NUT	1	1	
8	90201-25019	WASHER, PLATE	1	1	
9	4KM-23123-01	COVER, UNDER 1	1	1	
10	2BS-23435-00	CROWN, HANDLE	1	1	
11	5VK-23434-00	HOLDER, DAMPER	2	2	
12	91312-08030	BOLT, HEXAGON SOCKET HEAD	2	2	
13	2BS-23441-00	HOLDER, HANDLE UPPER	1	1	
14	2BS-2344A-00	HOLDER, HANDLE UPPER 1	1	1	
15	91312-08030	BOLT, HEXAGON SOCKET HEAD	4	4	
16	90338-08163	PLUG	4	4	
17	2BS-24847-00	HOLDER 1	1	1	
18	2BS-24848-00	HOLDER 2	1	1	
19	90201-10626	WASHER, PLATE	2	2	
20	95602-10200	NUT, S/L FLANGE	2	2	

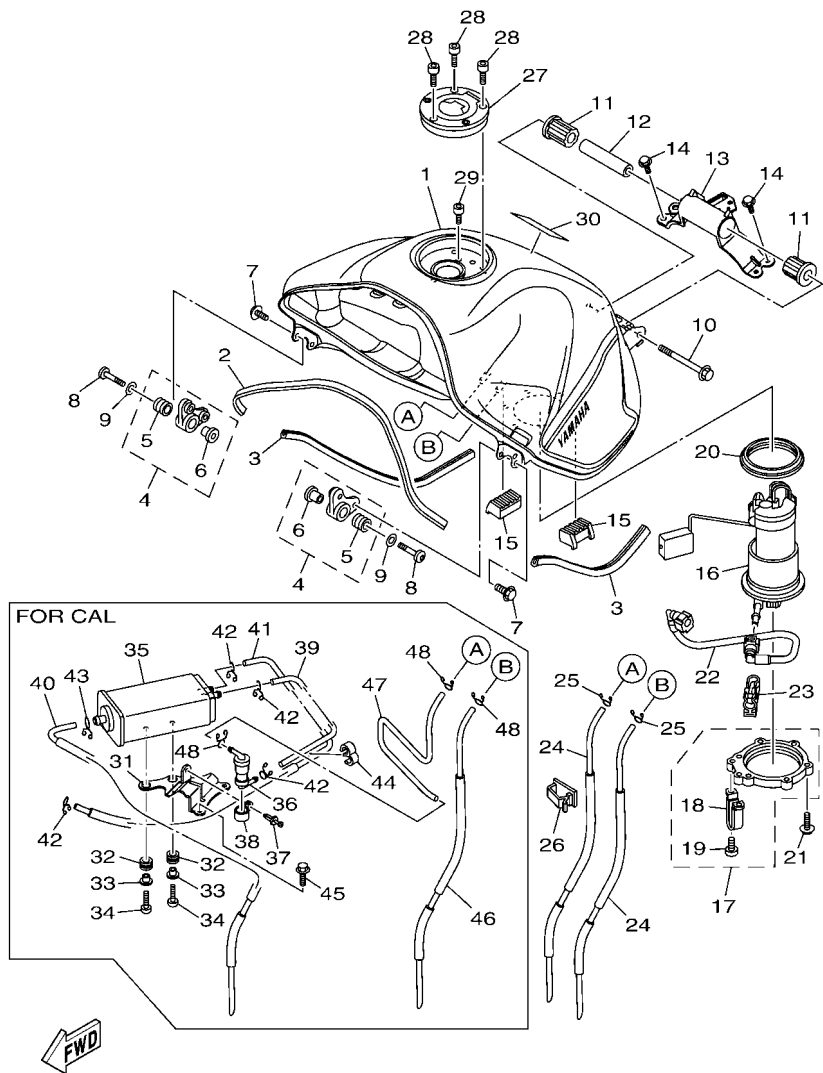




BP84110-T270

FIG. 27 FUEL

REF. NO.	PART NO.	DESCRIPTION	BP94	BP95	REMARKS
1	23P-Y2410-00-07	FUEL TANK COMP.	1	1	DPBMC
2	23P-24188-00	MOLD, FUEL TANK	1	1	
3	23P-24188-10	MOLD, FUEL TANK	2	2	
4	23P-24104-01	TANK BRACKET ASSY	2	2	
5	90480-18008	.GROMMET	1	1	
6	90387-06266	.COLLAR	1	1	
7	90119-06200	BOLT, WITH WASHER	4	4	
8	90149-06328	SCREW	2	2	
9	90201-06072	WASHER, PLATE	2	2	
10	95812-08110	BOLT, FLANGE	1	1	
11	23P-24183-00	DAMPER, LOCATING 3	2	2	
12	90387-12050	COLLAR	1	1	
13	23P-2413Y-00	BRACKET, TANK FITTING	1	1	
14	95802-06020	BOLT, FLANGE	4	4	
15	23P-24181-00	DAMPER, LOCATING 1	2	2	
16	23P-13907-00	FUEL PUMP COMP.	1	1	
17	23P-24105-00	TANK BRACKET ASSY 2	1	1	
18	2D1-24192-00	.BRACKET, FUEL TANK 2	1	1	
19	98902-05008	.SCREW, BIND	2	2	
20	19B-24486-01	O-RING	1	1	
21	90110-05028	BOLT, HEXAGON SOCKET HEAD	6	6	
22	23P-13971-00	PIPE, FUEL 1	1	1	
23	90464-16005	CLAMP	1	1	
24	23P-24318-00	PIPE, OVERFLOW	2		FOR U49
25	90467-09006	CLIP	2		FOR U49
26	90464-13012	CLAMP	1	1	
27	39P-24602-00	CAP ASSY	1	1	

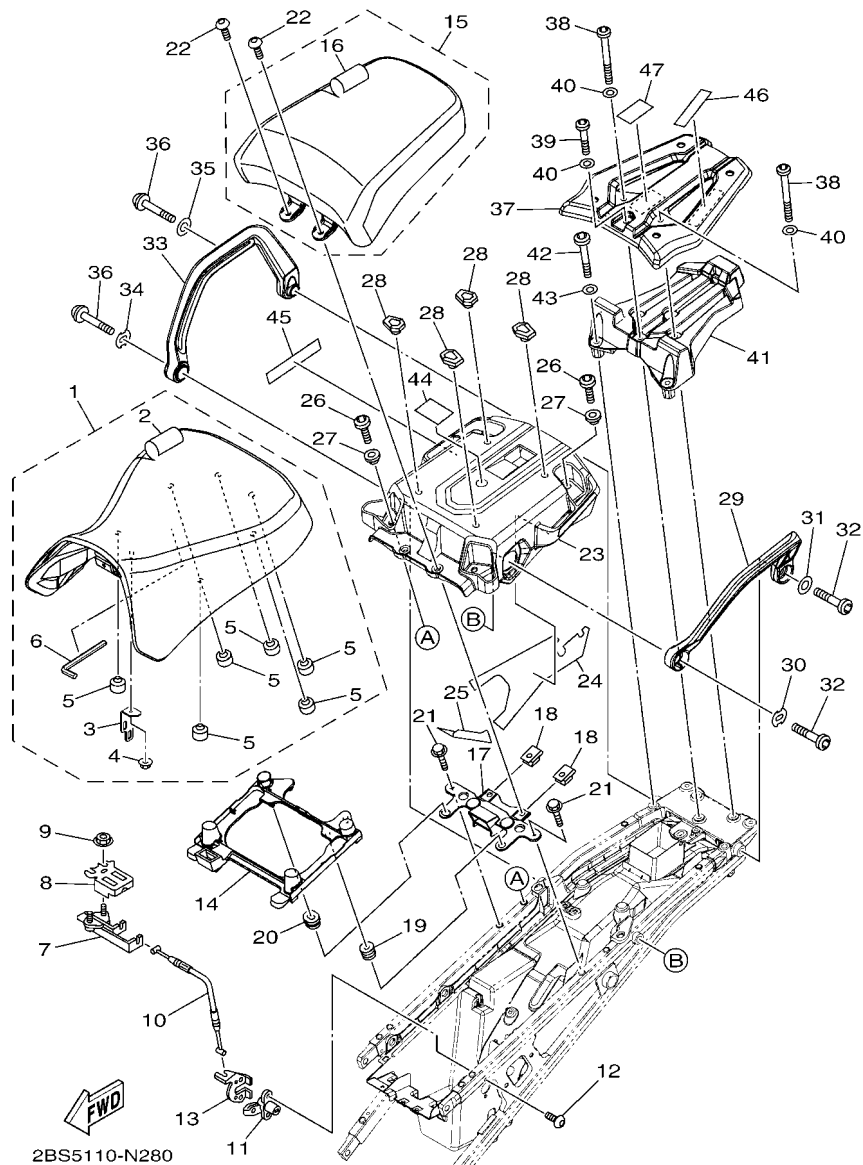


BP84110-T270

FIG. 27 FUEL

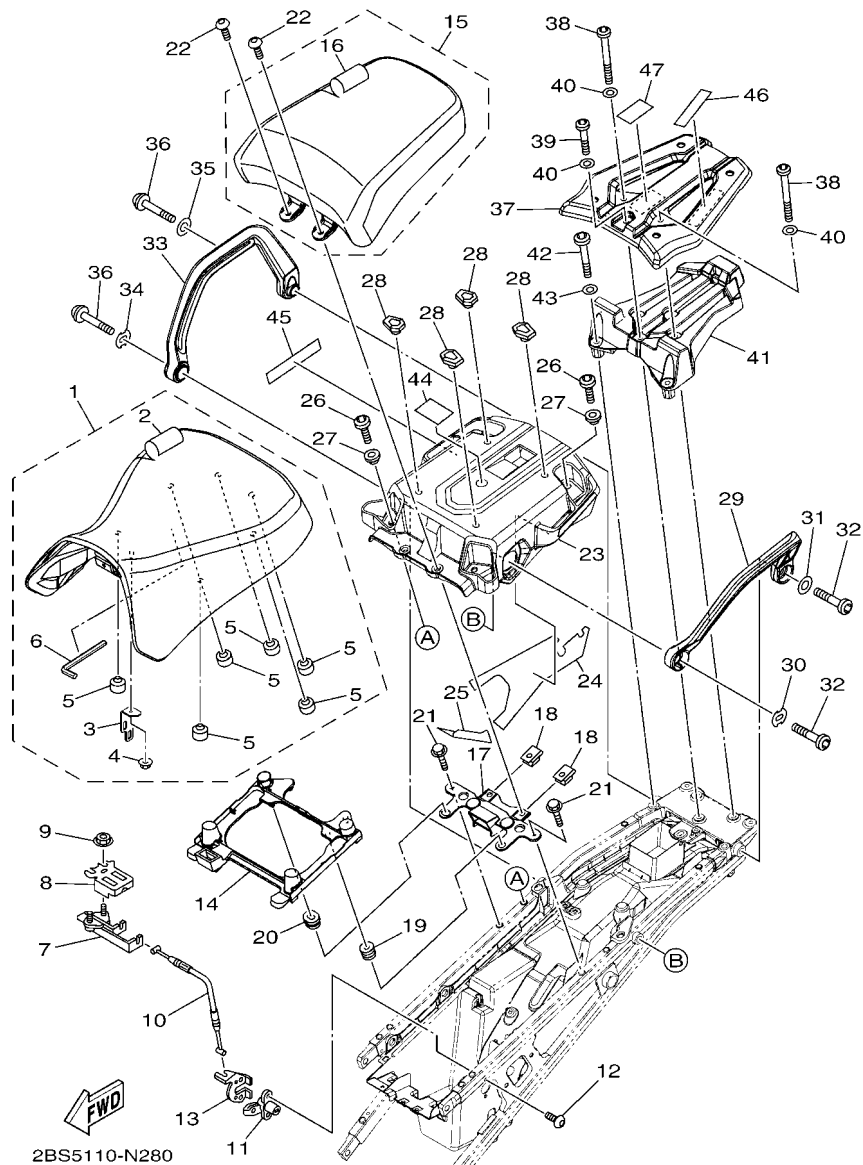
REF. NO.	PART NO.	DESCRIPTION	BP94	BP95	REMARKS
28	90110-05112	BOLT, HEXAGON SOCKET HEAD	3	3	
29	91312-05010	BOLT, HEXAGON SOCKET HEAD	1	1	
30	29P-2816R-00	LABEL, WARNING GENERAL INFO.	1	1	
31	23P-2419F-00	BRACKET, CANISTOR	1	1	FOR CAL
32	90480-13018	GROMMET	2	2	FOR CAL
33	90387-062L2	COLLAR	2	2	FOR CAL
34	92012-06016	BOLT, BUTTON HEAD	2	2	FOR CAL
35	5PX-24170-00	CANISTER ASSY	1	1	FOR CAL
36	2C0-24180-00	ROLL OVER VALVE ASSY	1	1	FOR CAL
37	90269-05001	RIVET	1	1	FOR CAL
38	90464-15014	CLAMP	1	1	FOR CAL
39	23P-24314-00	PIPE 4	1	1	FOR CAL
40	23P-24315-00	PIPE 5	1	1	FOR CAL
41	23P-24316-00	PIPE 6	1	1	FOR CAL
42	90467-09006	CLIP	4	4	FOR CAL
43	90467-10008	CLIP	1	1	FOR CAL
44	90464-09M31	CLAMP	1	1	FOR CAL
45	95802-06012	BOLT, FLANGE	2	2	FOR CAL
46	23P-24318-00	PIPE, OVERFLOW	1	1	FOR CAL
47	23P-24313-00	PIPE 3	1	1	FOR CAL
48	90467-09006	CLIP	3	3	FOR CAL

FIG. 28 SEAT

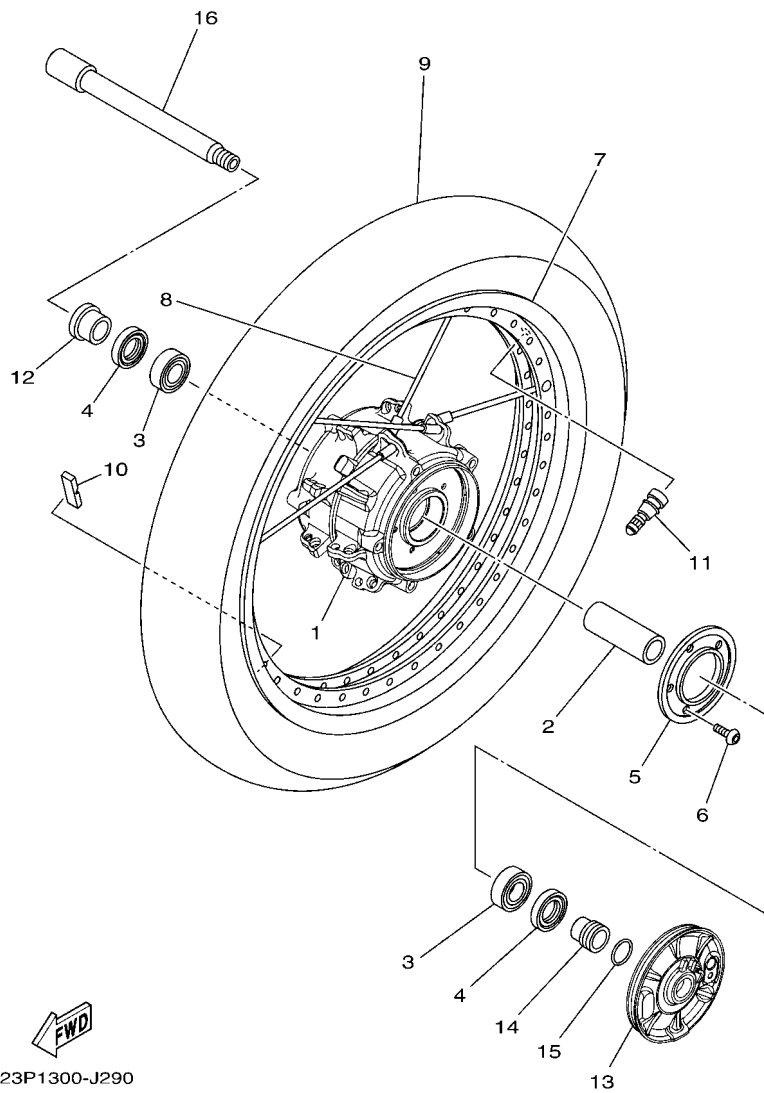


REF. NO.	PART NO.	DESCRIPTION	BP94	BP95	REMARKS
1	2KB-24710-00	SINGLE SEAT ASSY	1	1	
2	2KB-24711-00	.COVER, SINGLE SEAT	1	1	
3	23P-24718-00	.BRACKET, SEAT	1	1	
4	95602-06200	.NUT, SELF-LOCKING	1	1	
5	371-27114-00	.STOPPER, MAIN STAND	6	6	
6	23P-28164-00	.WRENCH, HEXAGON 8	1	1	
7	4BP-24780-00	SEAT LOCK ASSY	1	1	
8	23P-2475H-00	BRACKET, SEAT LEVER 1	1	1	
9	90179-06403	NUT	2	2	
10	23P-2478E-00	CABLE, SEAT LOCK	1	1	
11	2TV-24799-00	ROTOR ASSY	1	1	
12	90149-06308	SCREW	2	2	
13	23P-2117K-00	STAY, LOCK	1	1	
14	23P-24708-00	SEAT BRACKET ASSY	1	1	
15	2KB-24750-00	TANDEM SEAT ASSY	1	1	
16	2KB-24751-00	.COVER, TANDEM SEAT	1	1	
17	23P-2474F-00	STAY, FRONT 1	1	1	
18	90183-08060	NUT, SPRING	2	2	
19	90480-13398	GROMMET	1	1	
20	90480-01559	GROMMET	1	1	
21	95802-06020	BOLT, FLANGE	2	2	
22	92012-08025	BOLT, BUTTON HEAD	2	2	
23	23P-24842-10	CARRIER, 2	1	1	
24	23P-2172P-10	SEAT	1	1	
25	23P-2173P-00	SEAT 2	1	1	
26	90149-06121	SCREW	4	4	
27	90387-06264	COLLAR	4	4	

FIG. 28 SEAT

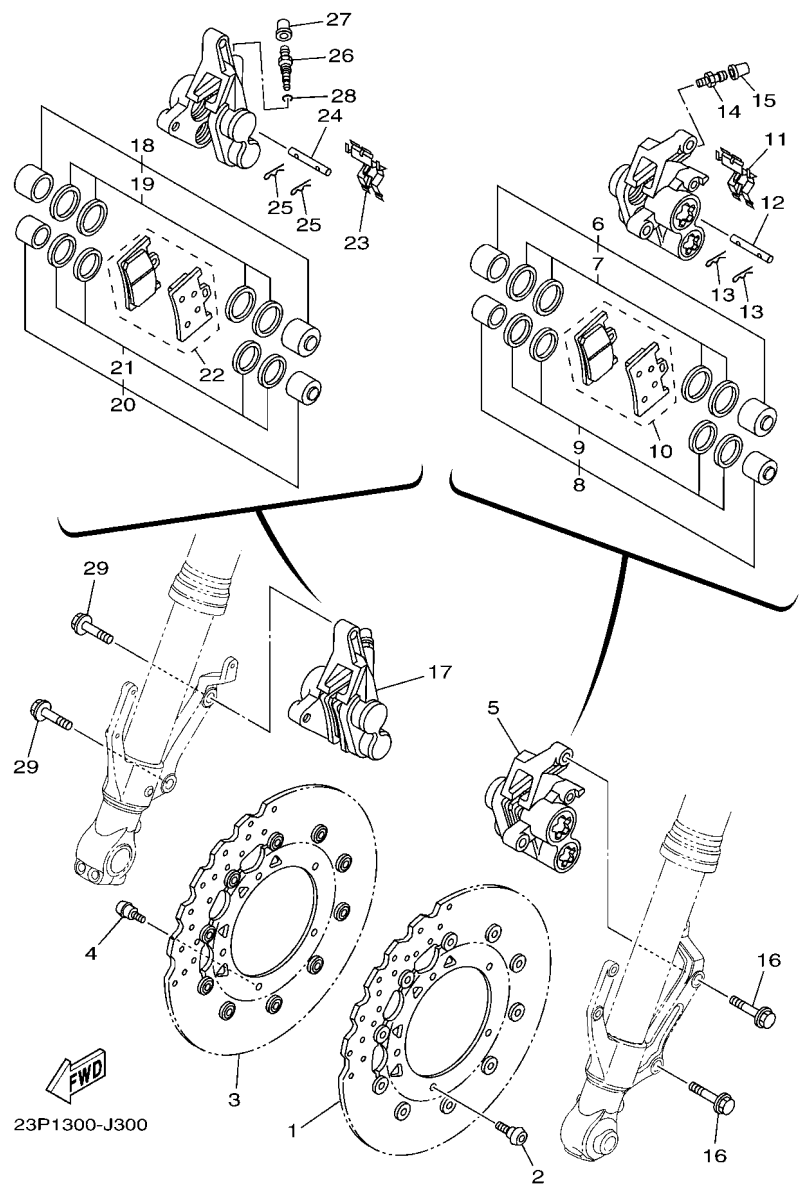


REF. NO.	PART NO.	DESCRIPTION	BP94	BP95	REMARKS
28	23P-24737-00	DAMPER, SEAT	4	4	
29	23P-2470J-00-P1	ASSIST GRIP ASSY., 1	1	1	MBL2 FOR DPBMC
30	23P-24736-00	WASHER	1	1	
31	92902-10200	WASHER	1	1	
32	90111-10054	BOLT,HEX. SOCKET BUTTON	2	2	
33	23P-2470K-00-P1	ASSIST GRIP ASSY., 2	1	1	MBL2 FOR DPBMC
34	23P-24736-00	WASHER	1	1	
35	92902-10200	WASHER	1	1	
36	90111-10054	BOLT,HEX. SOCKET BUTTON	2	2	
37	23P-24841-10	CARRIER, 1	1	1	
38	90111-08074	BOLT,HEX. SOCKET BUTTON	2	2	
39	90111-08076	BOLT,HEX. SOCKET BUTTON	1	1	
40	90201-08048	WASHER, PLATE	3	3	
41	23P-24884-00	STAY, BOX	1	1	
42	90111-08076	BOLT,HEX. SOCKET BUTTON	2	2	
43	90201-08048	WASHER, PLATE	2	2	
44	23P-2816K-10	LABEL, WARNING CARRIER 2	1	1	
45	23P-2816J-10	LABEL, WARNING CARRIER 1	1	1	
46	23P-2815T-10	LABEL, NOTICE CARRIER	1	1	
47	23P-2816K-10	LABEL, WARNING CARRIER 2	1	1	



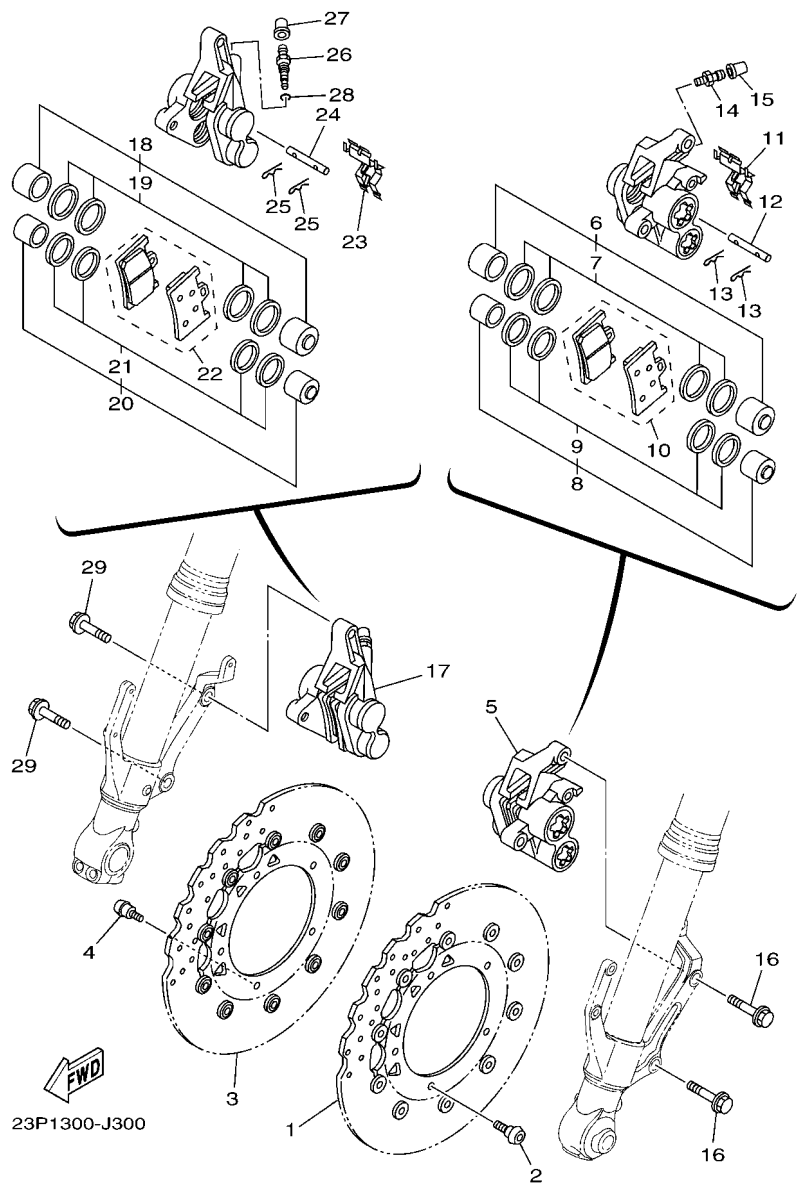
**FIG. 29 FRONT WHEEL**

REF. NO.	PART NO.	DESCRIPTION	BP94	BP95	REMARKS
1	23P-25111-00	HUB, FRONT	1	1	
2	23P-25117-00	SPACER, BEARING	1	1	
3	93306-07208	BEARING	2	2	
4	93106-28043	OIL SEAL	2	2	
5	2S3-2517G-00	ROTOR, SENSOR	1	1	
6	90149-05029	SCREW	5	5	
7	94425-19003	RIM (2.50-19)	1	1	
8	23P-25104-00	SPOKE SET, FRONT	1	1	
9	94111-19020	TIRE (110/80R19 M/C 59V)	1	1	BRIDGESTONE
10	23P-25398-00	BALANCER, WHEEL	1	1	UN
11	93900-00030	VALVE, RIM (TR412)	1	1	TAIHEIYO
12	23P-25186-00	COLLAR, WHEEL	1	1	
13	23P-2517A-00	HOUSING, SENSOR FRONT	1	1	
14	23P-25183-00	COLLAR, WHEEL	1	1	
15	93210-26668	O-RING	1	1	
16	4XV-25181-10	AXLE, WHEEL	1	1	



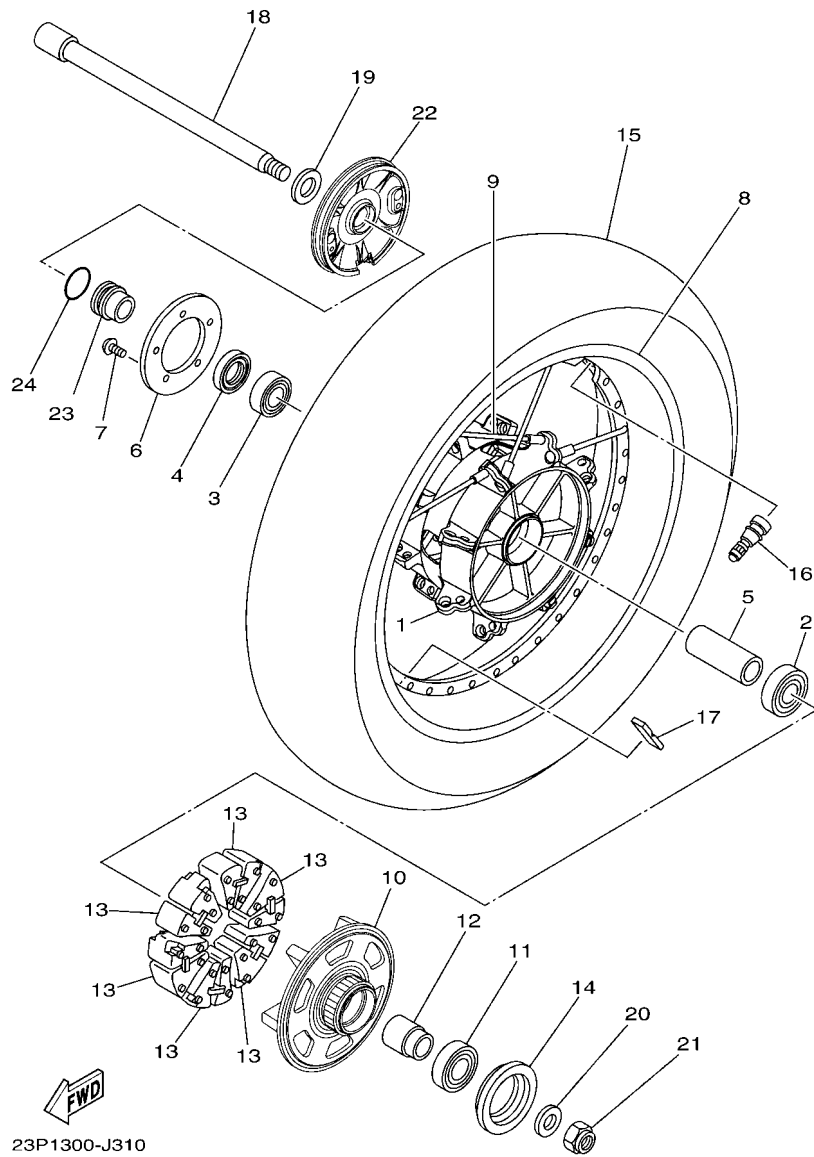
**FIG. 30 FRONT BRAKE CALIPER**

REF. NO.	PART NO.	DESCRIPTION	BP94	BP95	REMARKS
1	23P-2581T-00	DISK BRAKE ASSY	1	1	
2	90149-06043	SCREW	5	5	
3	23P-2581T-00	DISK BRAKE ASSY	1	1	
4	90149-06043	SCREW	5	5	
5	23P-2580T-10	CALIPER ASSY (LEFT)	1	1	
6	4SV-25802-10	.PISTON ASSY, CALIPER	1	1	
7	3GM-25803-10	..CALIPER SEAL KIT	1	1	
8	4SV-25802-00	.PISTON ASSY, CALIPER	1	1	
9	3MA-25803-10	..CALIPER SEAL KIT	1	1	
10	2C0-25805-00	.BRAKE PAD KIT	1	1	
11	13S-25919-00	.SUPPORT, PAD	1	1	
12	4SV-25924-00	.PIN, PAD	1	1	
13	3GM-25925-00	.CLIP	2	2	
14	1J3-25824-00	.SCREW, BLEED	1	1	
15	306-25825-01	.CAP	1	1	
16	90105-105A7	BOLT, FLANGE	2	2	
17	23P-2580U-10	CALIPER ASSY (RIGHT)	1	1	
18	4SV-25802-10	.PISTON ASSY, CALIPER	1	1	
19	3GM-25803-10	..CALIPER SEAL KIT	1	1	
20	4SV-25802-00	.PISTON ASSY, CALIPER	1	1	
21	3MA-25803-10	..CALIPER SEAL KIT	1	1	
22	2C0-25805-00	.BRAKE PAD KIT	1	1	
23	13S-25919-00	.SUPPORT, PAD	1	1	
24	4SV-25924-00	.PIN, PAD	1	1	
25	3GM-25925-00	.CLIP	2	2	
26	5VS-25824-00	.SCREW, BLEED	1	1	
27	306-25825-01	.CAP	1	1	



**FIG. 30 FRONT BRAKE CALIPER**

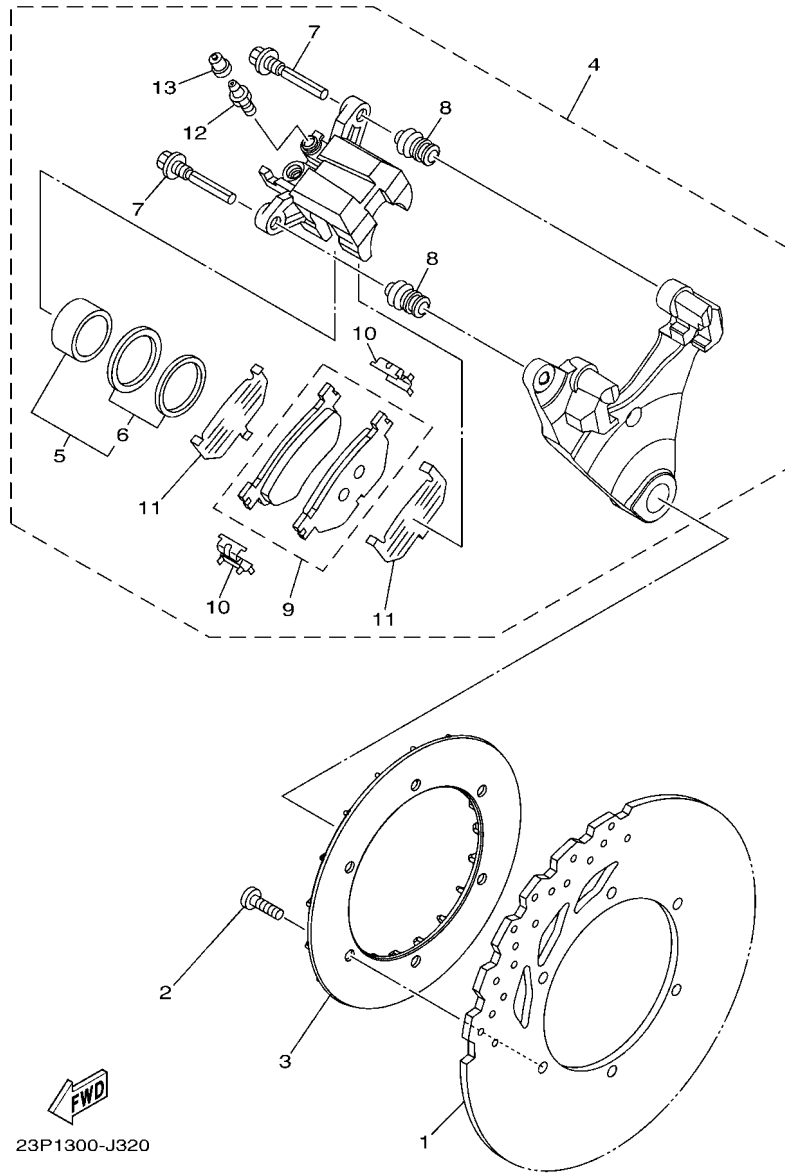
REF. NO.	PART NO.	DESCRIPTION	BP94	BP95	REMARKS
28	5VS-25975-00	.RUBBER, BUSHING	1	1	
29	90105-105A7	BOLT, FLANGE	2	2	



**FIG. 31 REAR WHEEL**

REF. NO.	PART NO.	DESCRIPTION	BP94	BP95	REMARKS
1	23P-25311-00	HUB, REAR	1	1	
2	93306-27212	BEARING	1	1	
3	93306-07208	BEARING	1	1	
4	93106-28043	OIL SEAL	1	1	
5	23P-25317-00	SPACER, BEARING	1	1	
6	2S3-2517G-00	ROTOR, SENSOR	1	1	
7	90149-05029	SCREW	5	5	
8	94440-17003	RIM (4.00-17)	1	1	
9	23P-25304-00	SPOKE SET, REAR	1	1	
10	23P-25366-00	CLUTCH, HUB	1	1	
11	93306-00521	BEARING	1	1	
12	23P-25377-00	COLLAR, WHEEL	1	1	
13	5JW-25364-00	DAMPER	6	6	
14	5JW-25319-00	SEAL, HUB DUST	1	1	
15	94115-17009	TIRE (150/70R17 M/C 69V)	1	1	BRIDGESTONE
16	93900-00030	VALVE, RIM (TR412)	1	1	TAIHEIYO
17	23P-25398-00	BALANCER, WHEEL	1	1	UN
18	23P-25381-00	AXLE, WHEEL	1	1	
19	90201-22014	WASHER, PLATE	1	1	
20	90201-18013	WASHER, PLATE	1	1	
21	90185-18009	NUT, SELF-LOCKING	1	1	
22	23P-2537A-00	HOUSING, SENSOR REAR	1	1	
23	23P-25183-00	COLLAR, WHEEL	1	1	
24	93210-26668	O-RING	1	1	

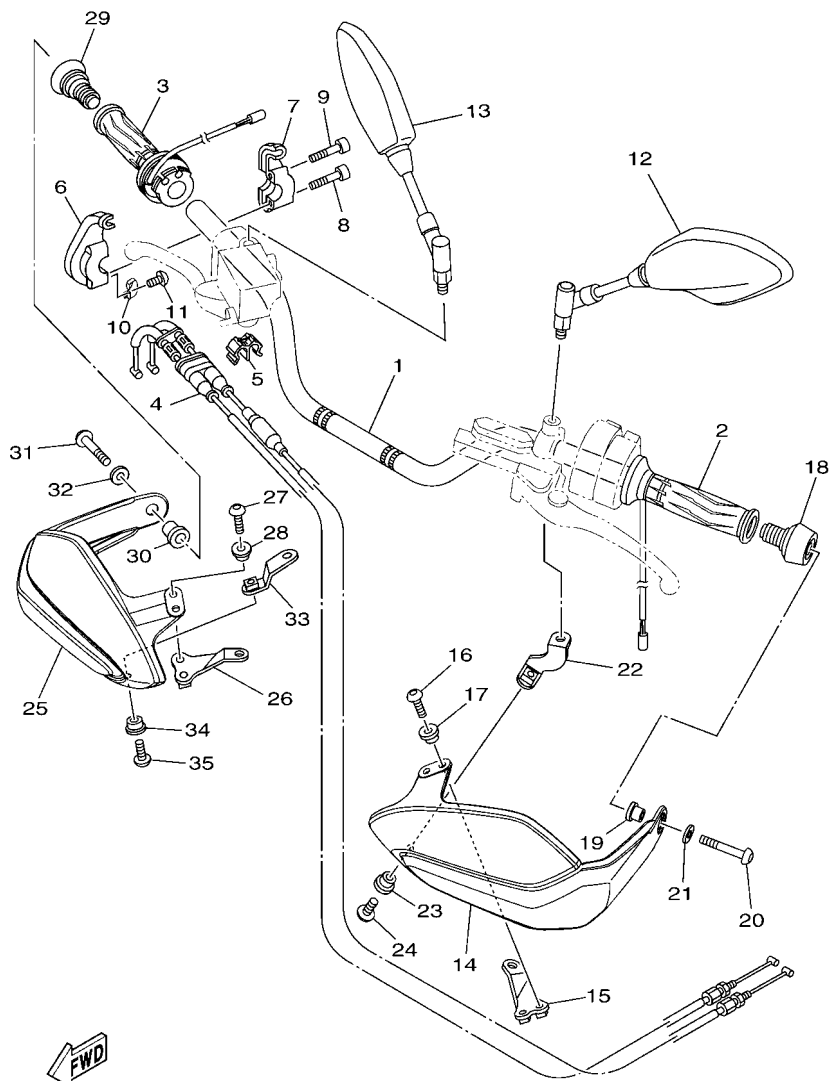




**FIG. 32 REAR BRAKE CALIPER**

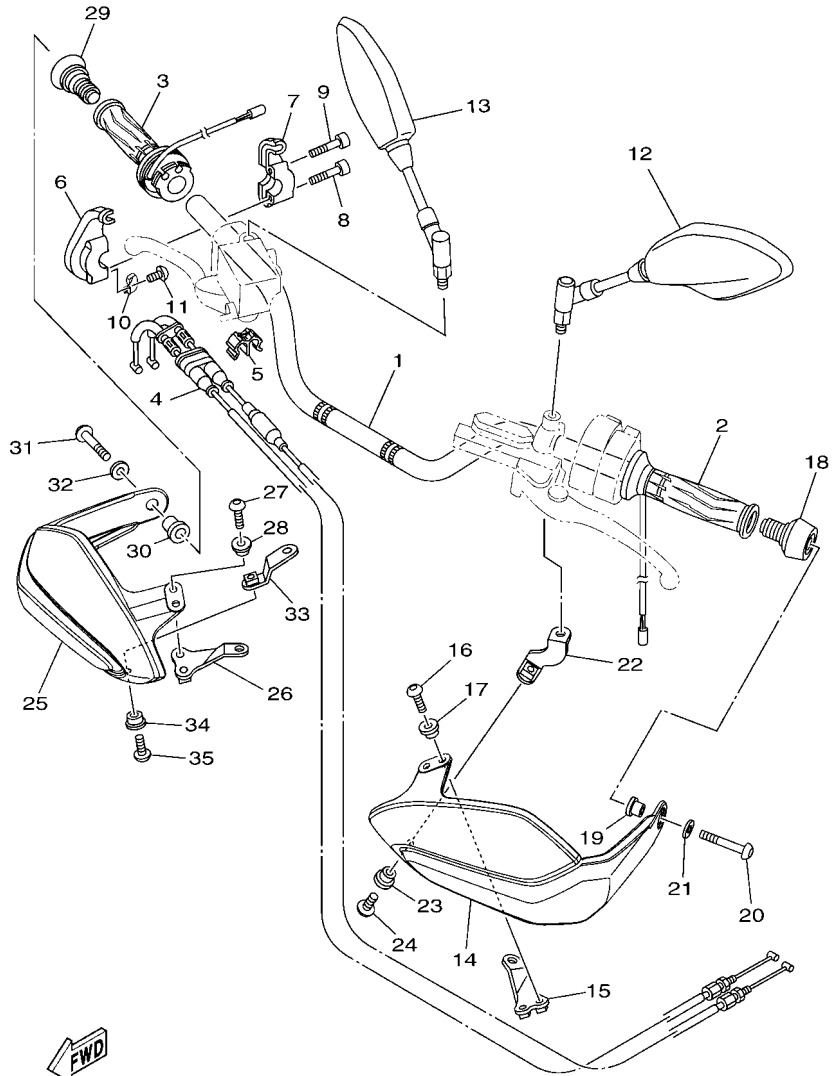
REF. NO.	PART NO.	DESCRIPTION	BP94	BP95	REMARKS
1	23P-2582W-00	DISK, REAR BRAKE 2	1	1	
2	90149-08024	SCREW	6	6	
3	23P-2581A-10	PLATE, DISK	1	1	
4	23P-2580W-00	CALIPER ASSY, REAR 2	1	1	
5	1D7-W0057-00	.PISTON ASSY, CALIPER	1	1	
6	5JW-W0047-00	..CALIPER SEAL KIT	1	1	
7	5JW-25914-10	.PIN, SLIDE	2	2	
8	4TT-25937-00	.BOOT 2	2	2	
9	1D7-W0046-00	.BRAKE PAD KIT 2	1	1	
10	5JW-25919-00	.SUPPORT, PAD	2	2	
11	5JW-25827-00	.SHIM, CALIPER	2	2	
12	5GM-25824-00	.SCREW, BLEED	1	1	
13	1D7-25825-00	.CAP	1	1	

**FIG. 33 STEERING HANDLE & CABLE**



2KB1300-N330

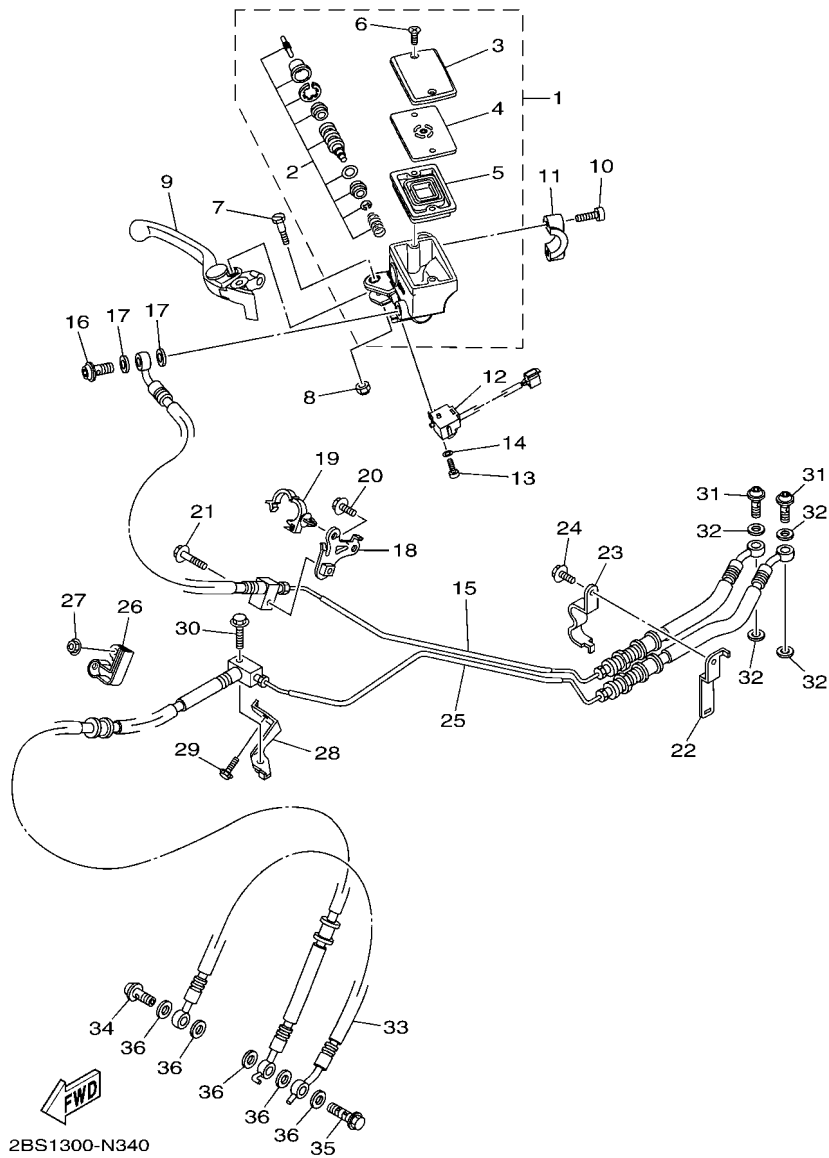
REF. NO.	PART NO.	DESCRIPTION	BP94	BP95			REMARKS
1	2BS-26111-00	HANDLEBAR	1	1			
2	2KB-82963-00	GRIP, WARMER (LEFT)	1	1			
3	2KB-82960-00	GRIP, WARMER (RIGHT)	1	1			
4	2BS-26302-00	THROTTLE CABLE ASSY	1	1			
5	90464-07M20	CLAMP	1	1			
6	2BS-26281-00	CAP, GRIP UPPER	1	1			
7	2BS-26282-00	CAP, GRIP UNDER	1	1			
8	91317-05025	BOLT,HEX.SOCKET HEAD	1	1			
9	91317-05020	BOLT,HEX.SOCKET HEAD	1	1			
10	2KB-2622K-00	PROTECTOR 1	1	1			
11	90157-03122	SCREW, PAN HEAD	1	1			
12	2BS-26280-00	REAR VIEW MIRROR ASSY (LEFT)	1	1			
13	2BS-26290-00	REAR VIEW MIRROR ASSY (RIGHT)	1	1			
14	23P-26141-01	GUARD, BRUSH 1	1	1			
15	23P-26223-00	BRACKET, HANDLE 1	1	1			
16	92014-05014	BOLT, BUTTON HEAD	2	2			
17	90387-05017	COLLAR	2	2			
18	2BS-26246-00	END, GRIP	1	1			
19	90387-08089	COLLAR	1	1			
20	92012-08025	BOLT, BUTTON HEAD	1	1			
21	90201-086P8	WASHER, PLATE	1	1			
22	23P-2622A-00	BRACKET, HANDLE 3	1	1			
23	90387-05021	COLLAR	1	1			
24	90111-05031	BOLT,HEX. SOCKET BUTTON	1	1			
25	23P-26142-01	GUARD, BRUSH 2	1	1			
26	23P-26224-00	BRACKET, HANDLE 2	1	1			
27	92014-05014	BOLT, BUTTON HEAD	2	2			



2KB1300-N330

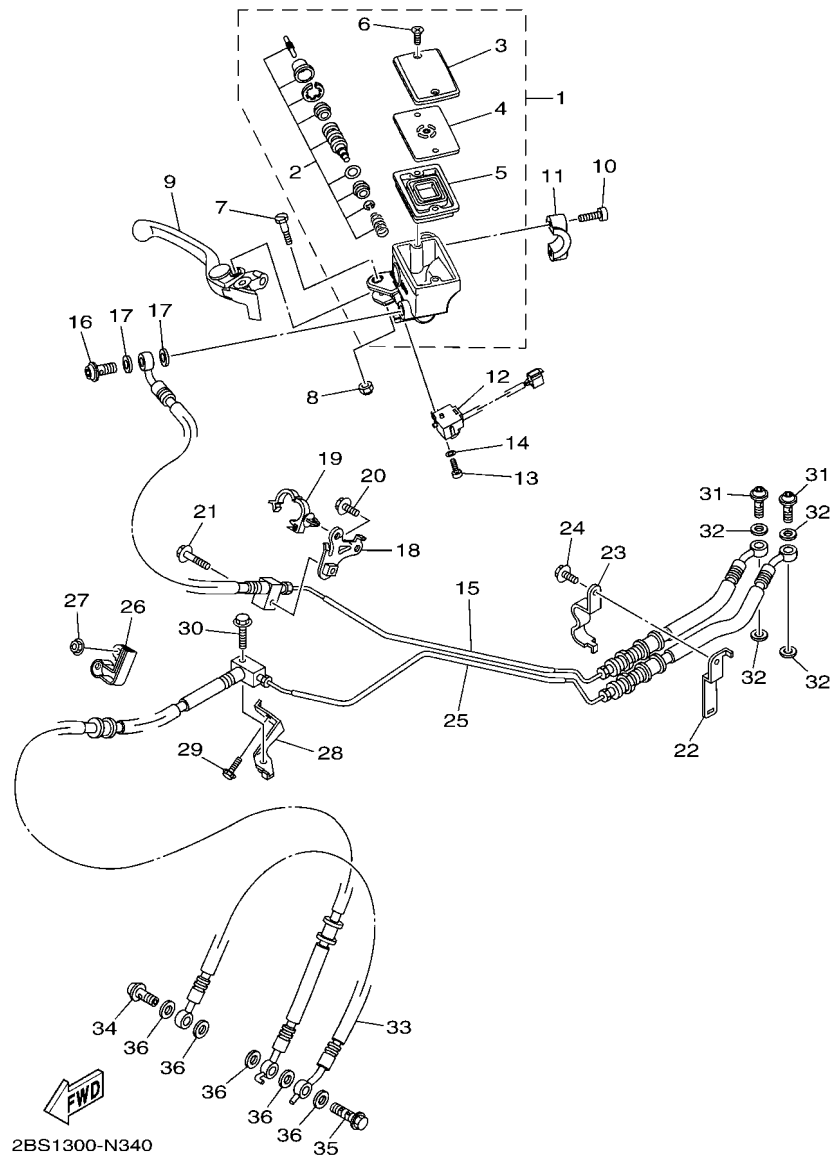
FIG. 33 STEERING HANDLE & CABLE

REF. NO.	PART NO.	DESCRIPTION	BP94	BP95	REMARKS
28	90387-05017	COLLAR	2	2	
29	2BS-26246-00	END, GRIP	1	1	
30	90387-08089	COLLAR	1	1	
31	92012-08025	BOLT, BUTTON HEAD	1	1	
32	90201-086P8	WASHER, PLATE	1	1	
33	23P-2622E-00	BRACKET, HANDLE 4	1	1	
34	90387-05021	COLLAR	1	1	
35	90111-05031	BOLT,HEX. SOCKET BUTTON	1	1	



**FIG. 34 FRONT MASTER CYLINDER**

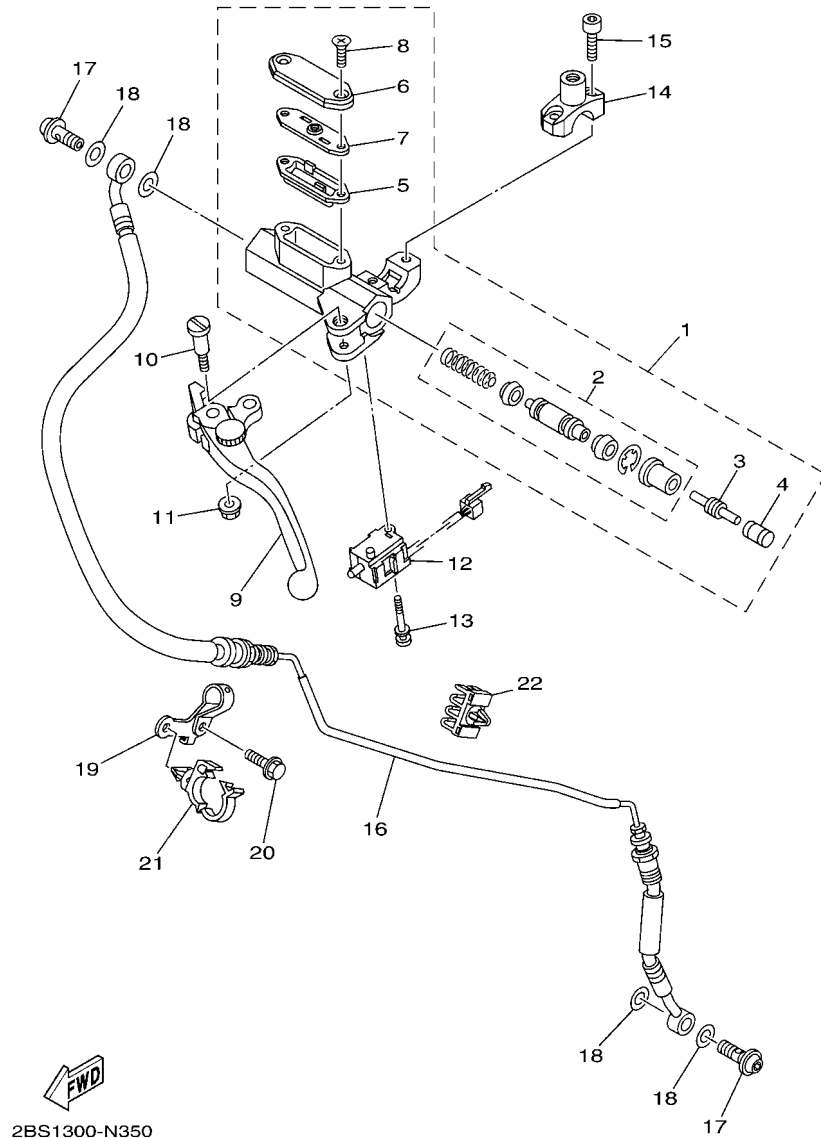
REF. NO.	PART NO.	DESCRIPTION	BP94	BP95	REMARKS
1	23P-2580A-00	MASTER CYLINDER SUB ASSY 2	1	1	
2	2D1-25807-00	.CYLINDER KIT, MASTER	1	1	
3	5VS-25852-00	.CAP, RESERVOIR	1	1	
4	5VS-25855-00	.BUSH,DIAPHRAGM	1	1	
5	20S-25854-00	.DIAPHRAGM, RESERVOIR	1	1	
6	5VS-2589H-00	.SCREW	2	2	
7	23P-2589F-10	BOLT, LEVER	1	1	
8	95617-06100	NUT, S/L	1	1	
9	5VS-83922-00	LEVER 2	1	1	
10	5VS-26332-00	BOLT	2	2	
11	5VS-25867-00	BRACKET, MASTER CYLINDER	1	1	
12	2BS-83980-00	FRONT STOP SWITCH ASSY	1	1	
13	98502-04014	SCREW, PAN HEAD	1	1	
14	92902-04600	WASHER, PLATE	1	1	
15	23P-2584B-00	HOSE, BRAKE	1	1	
16	90401-10172	BOLT, UNION	1	1	
17	90430-10005	GASKET	2	2	
18	23P-2588G-00	HOLDER, BRAKE HOSE 6	1	1	
19	90464-30001	CLAMP	1	1	
20	95022-06010	BOLT, FLANGE	1	1	
21	95022-06025	BOLT, FLANGE	1	1	
22	23P-2639F-00	HOLDER 2	1	1	
23	23P-26482-00	HOLDER, 3	1	1	
24	92012-06010	BOLT, BUTTON HEAD	1	1	
25	23P-2584C-00	HOSE, BRAKE	1	1	
26	2BS-2588F-00	HOLDER, BRAKE HOSE 5	1	1	
27	95702-06500	NUT, FLANGE	1	1	



**FIG. 34 FRONT MASTER CYLINDER**

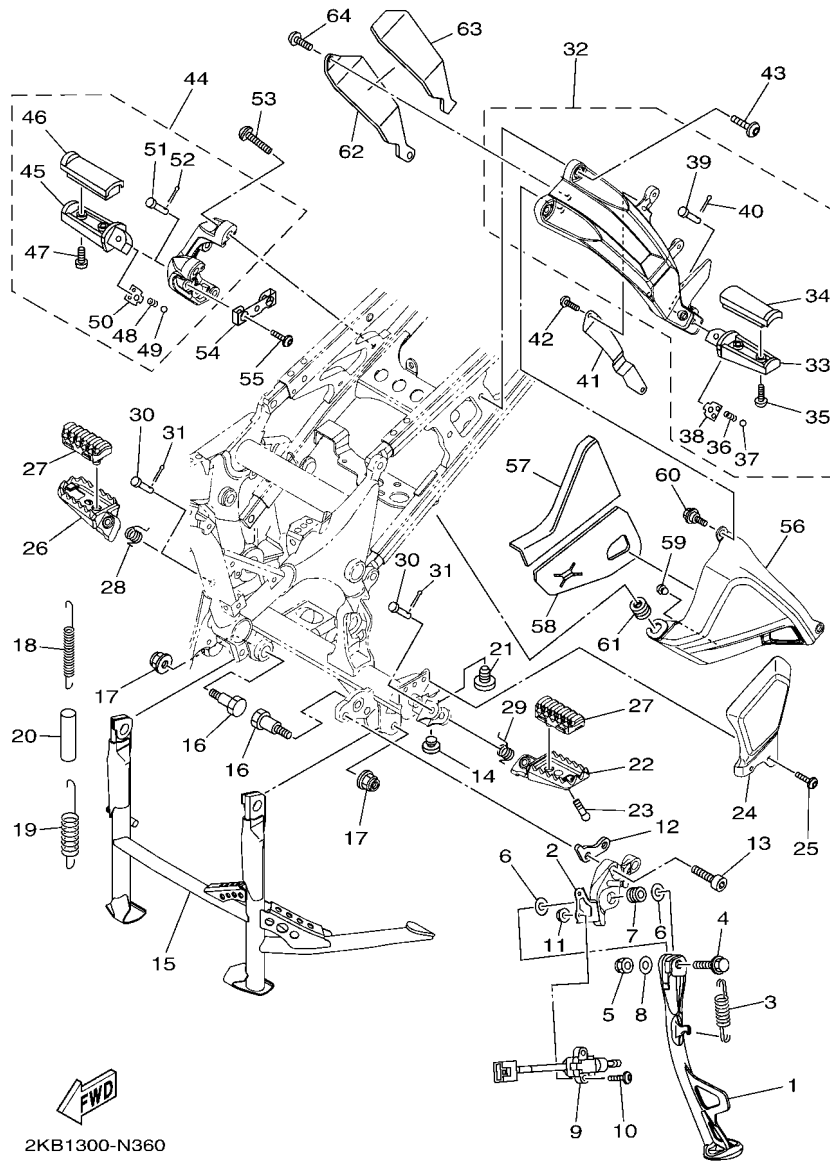
REF. NO.	PART NO.	DESCRIPTION			REMARKS
			BP94	BP95	
28	23P-26475-00	HOLDER	1	1	
29	95022-06016	BOLT, FLANGE	1	1	
30	95022-06025	BOLT, FLANGE	1	1	
31	90401-10172	BOLT, UNION	2	2	
32	90430-10005	GASKET	4	4	
33	23P-25872-00	HOSE, BRAKE 1	1	1	
34	90401-10172	BOLT, UNION	1	1	
35	90401-10038	BOLT, UNION	1	1	
36	90430-10005	GASKET	5	5	

**FIG. 35 FRONT MASTER CYLINDER 2**



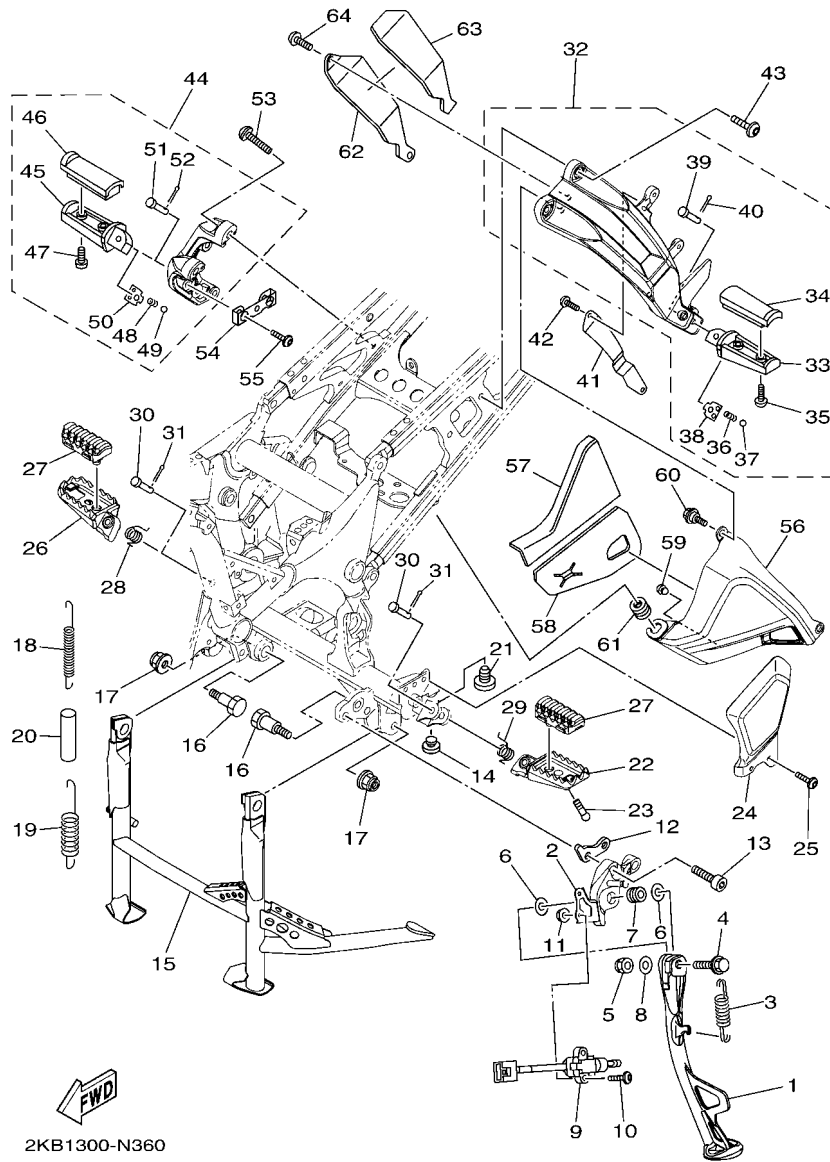
2BS1300-N350

REF. NO.	PART NO.	DESCRIPTION	BP94	BP95	REMARKS
1	2BS-26401-00	MASTER CYLINDER SUB ASSY	1	1	
2	2BS-26402-00	.CYLINDER KIT, MASTER (CLUTCH)	1	1	
3	5YU-26464-00	.ROD, PUSH	1	1	
4	3GM-26455-00	.BUSH	1	1	
5	5YU-25854-50	.DIAPHRAGM, RESERVOIR	1	1	
6	5YU-25852-50	.CAP, RESERVOIR	1	1	
7	5YU-25855-50	.BUSH,DIAPHRAGM	1	1	
8	98707-04012	.SCREW, FLAT HEAD	2	2	
9	5YU-83912-11	LEVER 1	1	1	
10	23P-2589F-00	BOLT, LEVER	1	1	
11	95607-06100	NUT, U	1	1	
12	1MC-82917-01	SWITCH	1	1	
13	90159-04011	SCREW, WITH WASHER	1	1	
14	5YU-26393-10	HOLDER	1	1	
15	5YU-26332-00	BOLT	2	2	
16	23P-26470-00	HOSE, CLUTCH	1	1	
17	90401-10172	BOLT, UNION	2	2	
18	90201-10118	WASHER, PLATE	4	4	
19	23P-26481-00	HOLDER, 2	1	1	
20	95022-06010	BOLT, FLANGE	1	1	
21	90464-20010	CLAMP	1	1	
22	90464-07262	CLAMP	1	1	



**FIG. 36 STAND & FOOTREST**

REF. NO.	PART NO.	DESCRIPTION	BP94	BP95	REMARKS
1	2BS-27311-00	STAND, SIDE	1	1	
2	23P-27321-00	BRACKET, SIDE STAND	1	1	
3	23P-27316-00	SPRING, SIDE STAND	1	1	
4	90105-102A6	BOLT, FLANGE	1	1	
5	90185-10012	NUT, SELF-LOCKING	1	1	
6	90201-10051	WASHER, PLATE	2	2	
7	90387-10020	COLLAR	1	1	
8	90201-101J1	WASHER, PLATE	1	1	
9	23P-82566-60	SWITCH, SIDE STAND	1	1	
10	92017-05020	BOLT, BUTTON HEAD	2	2	
11	95607-05200	NUT, S/L FLANGE	2	2	
12	23P-27322-00	WASHER	1	1	
13	90110-10010	BOLT, HEXAGON SOCKET HEAD	2	2	
14	128-27114-00	STOPPER, MAIN STAND	1	1	
15	23P-27111-00	STAND, MAIN	1	1	
16	90109-10057	BOLT	2	2	
17	95602-10200	NUT, S/L FLANGE	2	2	
18	23P-27116-00	SPRING, MAIN STAND	1	1	
19	23P-27116-10	SPRING, MAIN STAND	1	1	
20	90445-19003	HOSE	1	1	
21	23P-27114-00	STOPPER, MAIN STAND	1	1	
22	23P-27451-00	FOOTREST	1	1	
23	90109-08174	BOLT	1	1	
24	23P-27445-10	PLATE 1	1	1	
25	92012-06012	BOLT, BUTTON HEAD	2	2	
26	23P-27461-00	FOOTREST	1	1	
27	23P-27413-00	COVER, FOOTREST	2	2	



**FIG. 36 STAND & FOOTREST**

REF. NO.	PART NO.	DESCRIPTION	BP94	BP95	REMARKS
28	90508-20051	SPRING, TORSION	1	1	
29	90508-20041	SPRING, TORSION	1	1	
30	91701-08040	PIN	2	2	
31	91401-25015	PIN, COTTER	2	2	
32	23P-27430-10	REAR FOOTREST ASSY 1	1	1	
33	5RT-27431-00	.FOOTREST, REAR 1	1	1	
34	4D9-27413-00	.COVER, FOOTREST	1	1	
35	90157-05079	.SCREW, PAN HEAD	2	2	
36	90501-12743	.SPRING, COMPRESSION	1	1	
37	93501-04011	.BALL	1	1	
38	5VX-27437-00	.WASHER, SPECIAL	1	1	
39	91702-08040	.PIN, CLEVIS	1	1	
40	91401-25015	.PIN, COTTER	1	1	
41	23P-27412-00	BRACKET, FOOTREST 1	1	1	
42	92012-05008	BOLT, BUTTON HEAD	2	2	
43	90109-085G6	BOLT	2	2	
44	23P-27440-10	REAR FOOTREST ASSY 2	1	1	
45	5RT-27441-00	.FOOTREST, REAR 2	1	1	
46	4D9-27413-00	.COVER, FOOTREST	1	1	
47	90157-05079	.SCREW, PAN HEAD	2	2	
48	90501-12743	.SPRING, COMPRESSION	1	1	
49	93501-04011	.BALL	1	1	
50	5VX-27437-00	.WASHER, SPECIAL	1	1	
51	91702-08040	.PIN, CLEVIS	1	1	
52	91401-25015	.PIN, COTTER	1	1	
53	90109-085G6	BOLT	2	2	
54	2KB-27333-00	BRKT	1	1	



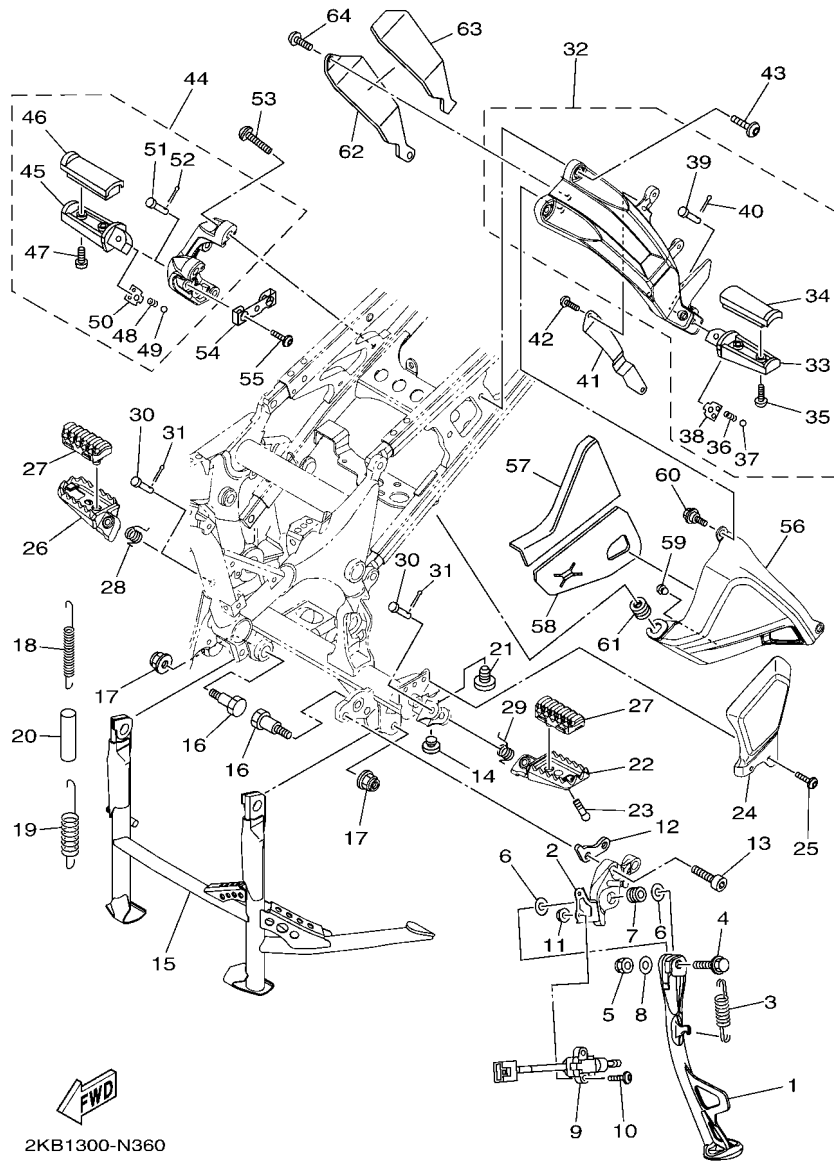
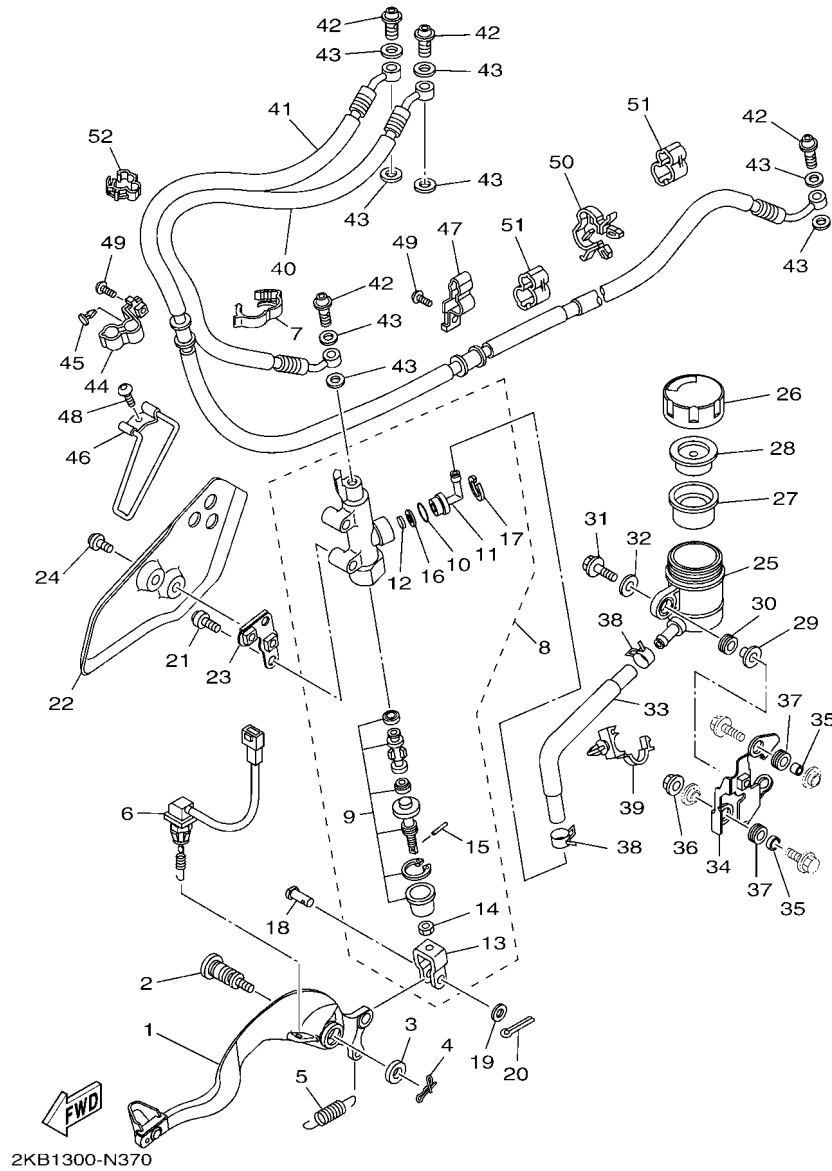


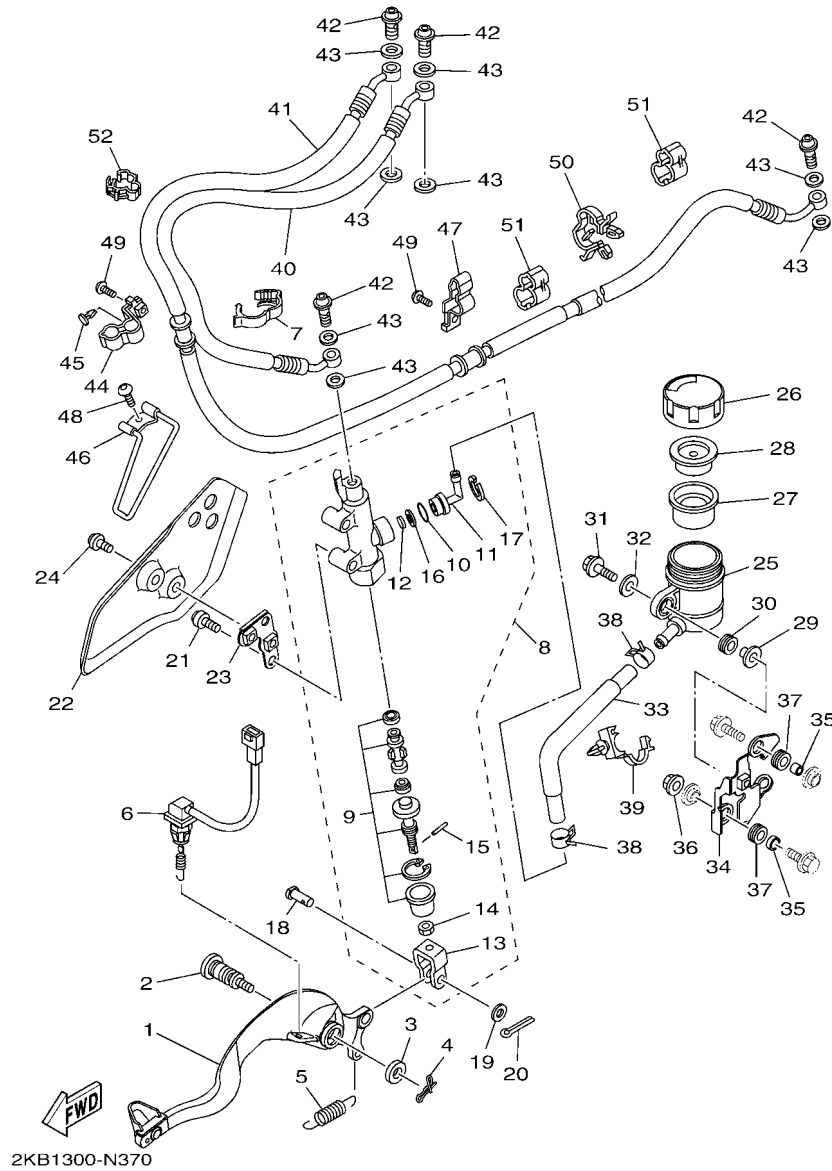
FIG. 36 STAND & FOOTREST

REF. NO.	PART NO.	DESCRIPTION	BP94	BP95	REMARKS
55	92012-08014	BOLT, BUTTON HEAD	2	2	
56	23P-27491-00	PROTECTOR	1	1	
57	23P-2749A-00	SEAT 3	1	1	
58	23P-2749B-00	SEAT 4	1	1	
59	1J7-21717-00	DAMPER	1	1	
60	90109-06264	BOLT	2	2	
61	90480-12325	GROMMET	1	1	
62	2BS-27422-00	BRACKET, FOOTREST 2	1	1	
63	2BS-2175P-00	SEAT 4	1	1	
64	92012-08012	BOLT, BUTTON HEAD	2	2	



**FIG. 37 REAR MASTER CYLINDER**

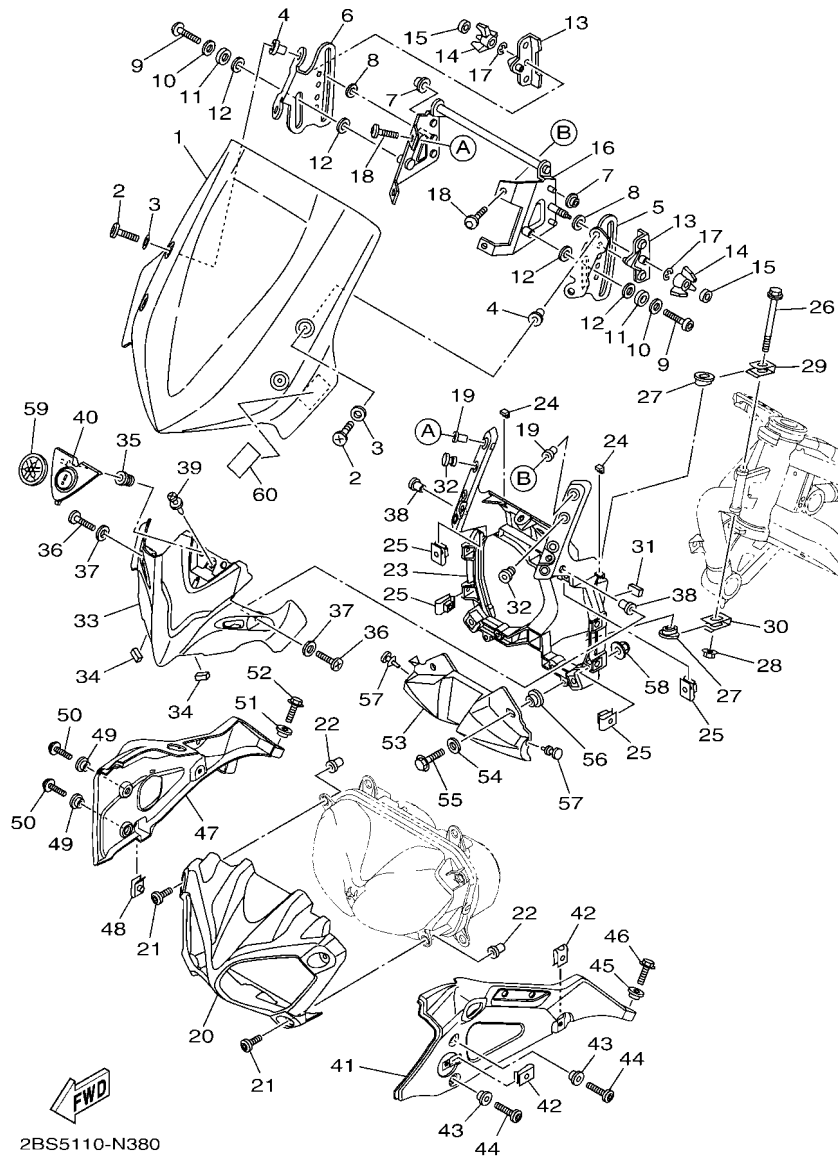
REF. NO.	PART NO.	DESCRIPTION	BP94	BP95	REMARKS
1	23P-27200-00	PEDAL, BRAKE	1	1	
2	5XC-27217-90	BOLT	1	1	
3	90201-08060	WASHER, PLATE	1	1	
4	90468-16191	CLIP	1	1	
5	90506-20193	SPRING, TENSION	1	1	
6	2BS-82530-00	STOP SWITCH ASSY	1	1	
7	90464-16003	CLAMP	1	1	
8	23P-2583V-00	RR. MASTER CYLINDER ASSY.	1	1	
9	23P-W0042-50	.CYLINDER KIT, MASTER	1	1	
10	93210-15620	.O-RING	1	1	
11	4ML-2582A-50	.JOINT	1	1	
12	23P-2586G-00	.FILTER	1	1	
13	23P-27222-00	.JOINT	1	1	
14	4SS-27218-00	.NUT	1	1	
15	3KW-27234-00	.PIN, BRAKE ROD	1	1	
16	23P-2586H-00	.PLATE, FILTER	1	1	
17	2VN-25866-00	.CIRCLIP	1	1	
18	90240-08120	PIN, CLEVIS	1	1	
19	90201-08044	WASHER, PLATE	1	1	
20	91402-20012	PIN, COTTER	1	1	
21	92012-08035	BOLT, BUTTON HEAD	2	2	
22	2BS-27432-00	BRACKET 1	1	1	
23	2BS-27446-00	PLATE 2	1	1	
24	90111-08037	BOLT, HEX. SOCKET BUTTON	2	2	
25	14B-25894-00	TANK, RESERVOIR	1	1	
26	2C0-25852-00	CAP, RESERVOIR	1	1	
27	2VN-25854-00	DIAPHRAGM, RESERVOIR	1	1	



**FIG. 37 REAR MASTER CYLINDER**

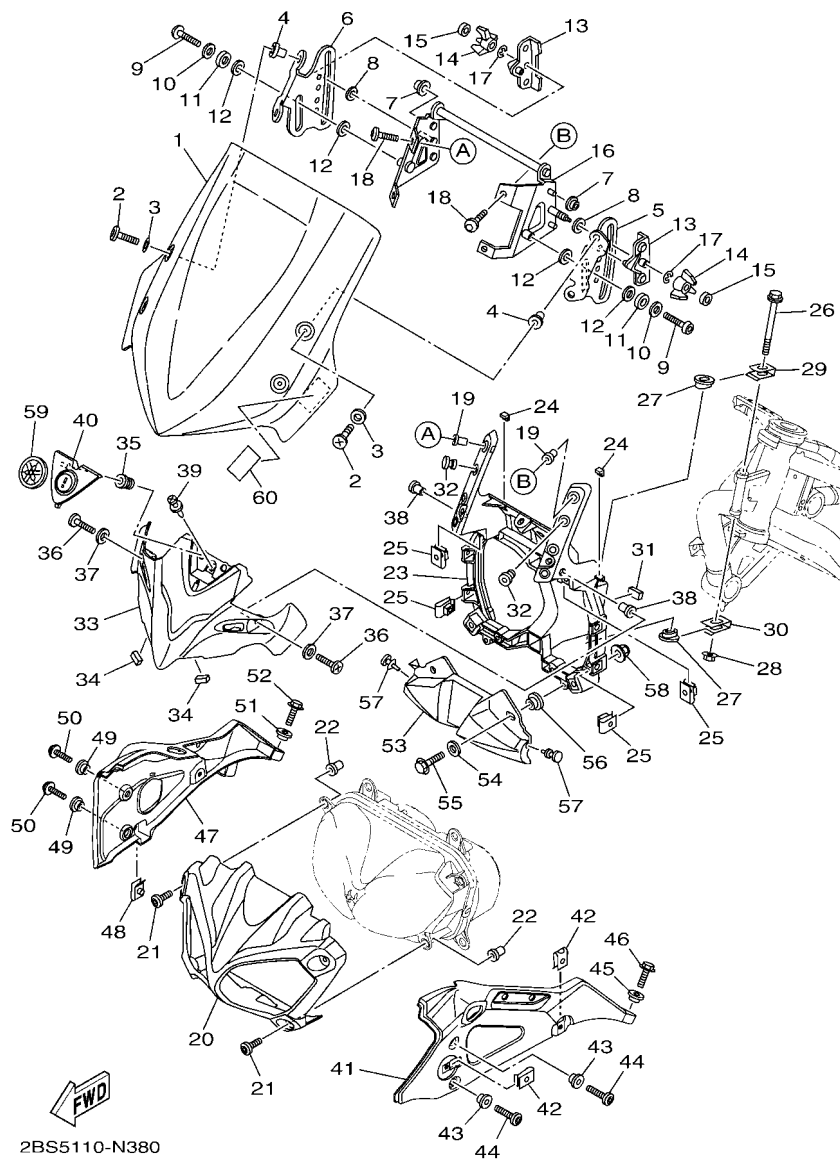
REF. NO.	PART NO.	DESCRIPTION	BP94	BP95	REMARKS
28	2VN-25855-00	BUSH,DIAPHRAGM	1	1	
29	90387-05028	COLLAR	1	1	
30	2C0-26326-00	GROMMET	1	1	
31	91312-05020	BOLT, HEXAGON SOCKET HEAD	1	1	
32	90201-054K4	WASHER, PLATE	1	1	
33	2KB-25895-00	HOSE, RESERVOIR	1	1	
34	2KB-22538-00	STAY	1	1	
35	90480-12010	GROMMET	2	2	
36	95702-06500	NUT, FLANGE	1	1	
37	90387-06023	COLLAR	2	2	
38	90467-120A3	CLIP	2	2	
39	90464-17003	CLAMP	1	1	
40	23P-2581J-00	HOSE, BRAKE 4	1	1	
41	23P-2581K-00	HOSE, BRAKE 5	1	1	
42	90401-10172	BOLT, UNION	4	4	
43	90430-10005	GASKET	8	8	
44	23P-25886-00	HOLDER, BRAKE HOSE	1	1	
45	90269-07011	RIVET	1	1	
46	23P-27911-00	HOLDER	1	1	
47	23P-2587A-00	HOLDER, BRAKE HOSE	1	1	
48	92012-06014	BOLT, BUTTON HEAD	1	1	
49	92012-06012	BOLT, BUTTON HEAD	2	2	
50	90464-23239	CLAMP	1	1	
51	90464-10233	CLAMP	2	2	
52	90464-12013	CLAMP	1	1	

FIG. 38 WINDSHIELD



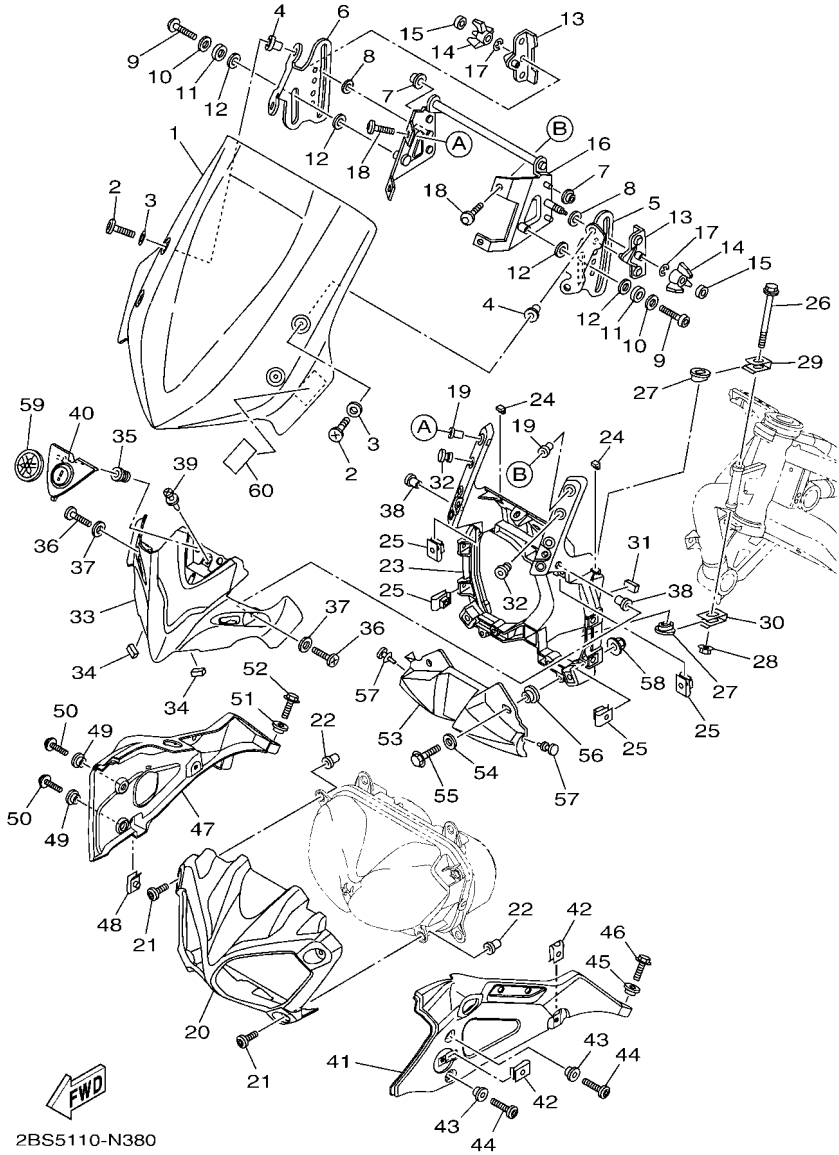
REF. NO.	PART NO.	DESCRIPTION	BP94	BP95	REMARKS
1	2BS-28381-00	WINDSHIELD	1	1	
2	90154-05011	SCREW, BINDING	4	4	
3	90202-05180	WASHER, PLATE	4	4	
4	90179-05003	NUT	4	4	
5	2BS-2831U-00	STAY, SIDE 1	1	1	
6	2BS-2832U-00	STAY, SIDE 1	1	1	
7	90386-07MA2	BUSH	4	4	
8	90202-07015	WASHER, PLATE	2	2	
9	902017-06016	BOLT, BUTTON HEAD	2	2	
10	90201-06021	WASHER, PLATE	2	2	
11	90430-12072	GASKET	2	2	
12	90201-123F2	WASHER, PLATE	4	4	
13	2BS-2831E-00	STAY, GUIDE 1	2	2	
14	2BS-26383-00	NUT, ADJUSTING	2	2	
15	2BS-28349-00	CAP	2	2	
16	2BS-2831R-00	STAY, MAIN 1	1	1	
17	99002-03600	CIRCLIP	2	2	
18	90111-05021	BOLT,HEX. SOCKET BUTTON	4	4	
19	90179-05523	NUT	4	4	
20	23P-2835G-00	BODY, FRONT UPPER 1	1	1	
21	90111-06038	BOLT,HEX. SOCKET BUTTON	4	4	
22	90179-06520	NUT	4	4	
23	23P-28356-01	STAY 1	1	1	
24	90520-02005	DAMPER, PLATE	2	2	
25	90183-060A1	NUT, SPRING	8	8	
26	90105-085A5	BOLT, FLANGE	1	1	
27	5PS-28373-01	COLLAR	2	2	

FIG. 38 WINDSHIELD



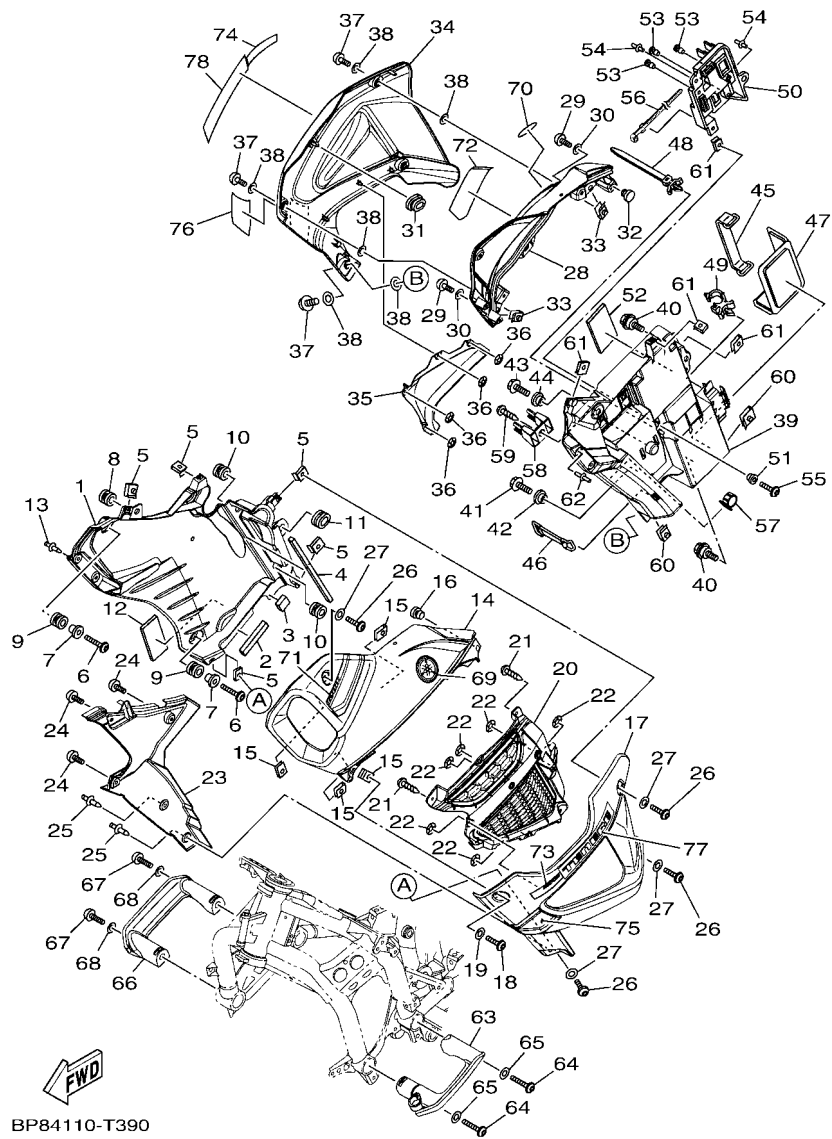
REF. NO.	PART NO.	DESCRIPTION	BP94	BP95	REMARKS
28	95707-08500	NUT, FLANGE	1	1	
29	23P-28336-00	PLATE	1	1	
30	23P-28397-00	PLATE 2	1	1	
31	23P-28344-00	TAPE	1	1	
32	90338-10132	PLUG	2	2	
33	2BS-283M3-00	DEFLECTOR	1	1	
34	1HX-28227-00	DAMPER 2	2	2	
35	90480-10003	GROMMET	2	2	
36	90154-05011	SCREW, BINDING	2	2	
37	90202-05180	WASHER, PLATE	2	2	
38	90179-05003	NUT	2	2	
39	90269-06081	RIVET	1	1	
40	2BS-83559-00	COVER, METER	1	1	
41	23P-2837L-00	PANEL, CONSOLE 1	1	1	
42	90183-060A6	NUT, SPRING	2	2	
43	90387-06048	COLLAR	2	2	
44	90111-06051	BOLT,HEX. SOCKET BUTTON	2	2	
45	90387-08080	COLLAR	1	1	
46	95822-08016	BOLT, FLANGE	1	1	
47	23P-2837M-00	PANEL, CONSOLE 2	1	1	
48	90183-060A6	NUT, SPRING	1	1	
49	90387-06048	COLLAR	2	2	
50	90111-06051	BOLT,HEX. SOCKET BUTTON	2	2	
51	90387-08080	COLLAR	1	1	
52	95822-08016	BOLT, FLANGE	1	1	
53	2BS-28365-00	COVER	1	1	
54	90201-061A5	WASHER, PLATE	2	2	

**FIG. 38 WINDSHIELD**



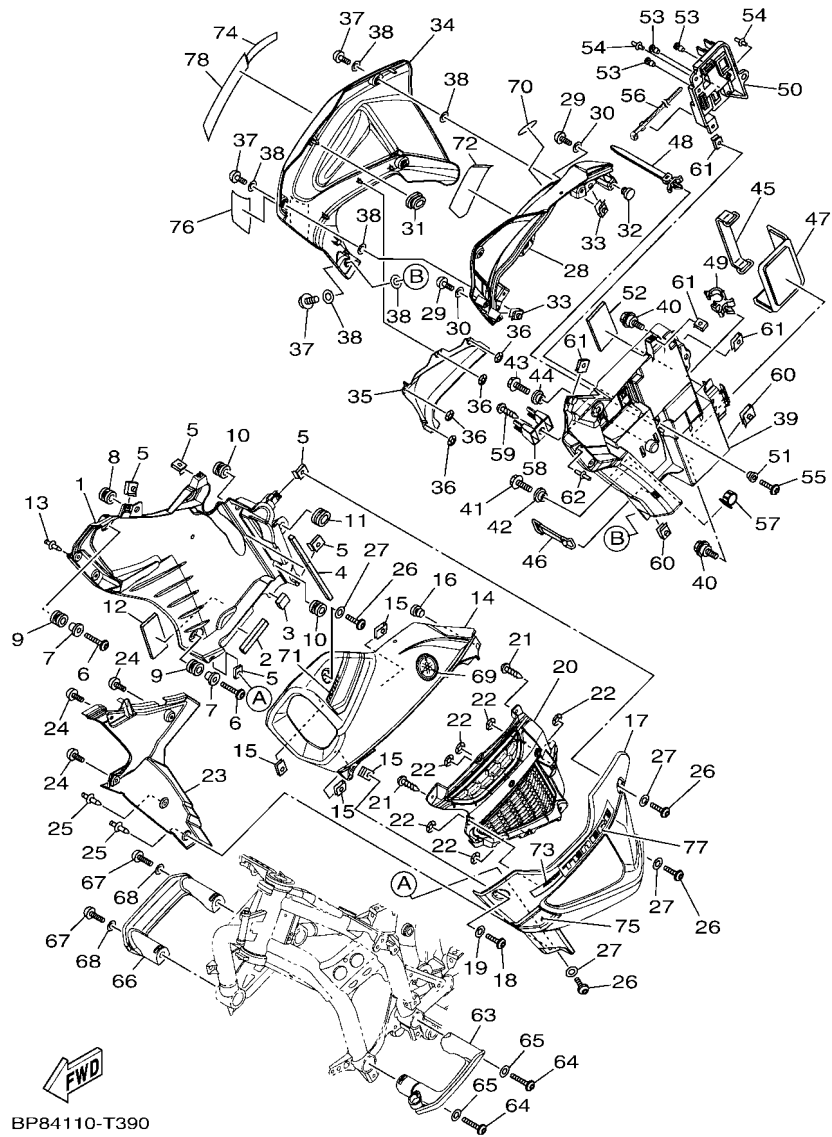
REF. NO.	PART NO.	DESCRIPTION	BP94	BP95	REMARKS
55	95807-06025	BOLT, FLANGE	2	2	
56	90387-06200	COLLAR	2	2	
57	90480-04166	GROMMET	2	2	
58	90176-06016	NUT, CAP	2	2	
59	8GC-2836B-02	TUNING FORK MARK	1	1	
60	4B5-2815K-00	LABEL, NOTICE WINDSHIELD 1	1	1	
-----					
-----					
-----					
-----					
-----					
-----					
-----					
-----					
-----					
-----					
-----					

FIG. 39 COWLING



BP84110-T390

REF. NO.	PART NO.	DESCRIPTION	BP94	BP95	REMARKS
1	23P-2137U-00	GUIDE, AIR 1	1	1	
2	90520-10006	DAMPER, PLATE	1	1	
3	90520-10007	DAMPER, PLATE	1	1	
4	2D1-2174Y-00	DAMPER	1	1	
5	90183-05076	NUT, SPRING	5	5	
6	90111-06137	BOLT,HEX. SOCKET BUTTON	3	3	
7	90387-07042	COLLAR	3	3	
8	90480-12596	GROMMET	1	1	
9	90480-14452	GROMMET	3	3	
10	90480-18431	GROMMET	2	2	
11	90480-01558	GROMMET	1	1	
12	5XT-21746-00	DAMPER	1	1	
13	90269-06008	RIVET	2	2	
14	23P-2842M-00-P6	COVER 1	1	1	MBL2 FOR DPBMC
15	90183-05076	NUT, SPRING	4	4	
16	90338-10132	PLUG	1	1	
17	23P-2835U-00-P1	PANEL 1	1	1	MBL2 FOR DPBMC
18	90111-05003	BOLT,HEX. SOCKET BUTTON	1	1	
19	90202-05180	WASHER, PLATE	1	1	
20	23P-2837V-00	GRILL, AIR OUTLET 1	1	1	
21	97702-50014	SCREW, TAPPING	4	4	
22	90183-05M02	NUT, SPRING	6	6	
23	23P-2836K-00	PANEL, INNER 1	1	1	
24	90111-05002	BOLT,HEX. SOCKET BUTTON	3	3	
25	90269-06008	RIVET	2	2	
26	90111-05003	BOLT,HEX. SOCKET BUTTON	5	5	
27	90202-05180	WASHER, PLATE	5	5	



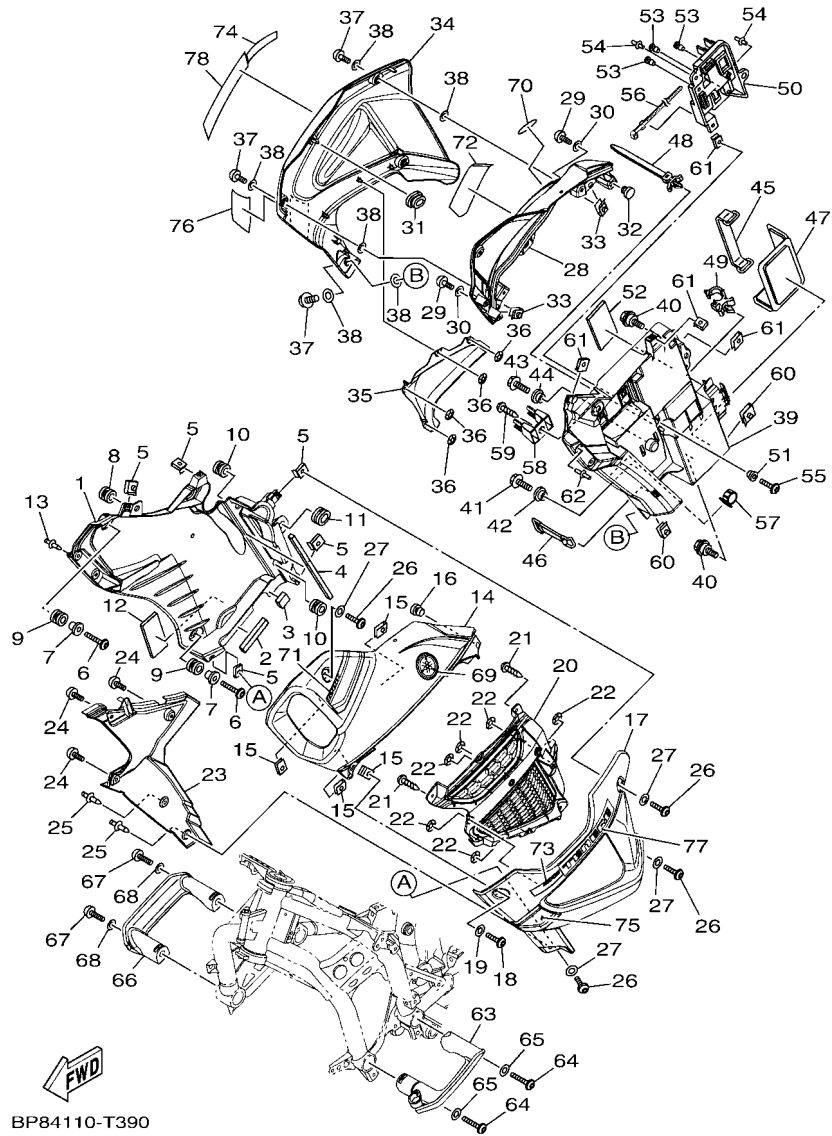
BP84110-T390

FIG. 39 COWLING

REF. NO.	PART NO.	DESCRIPTION	BP94	BP95	REMARKS
28	23P-2842N-00-P6	COVER 2	1	1	MBL2 FOR DPBMC
29	90111-05003	BOLT,HEX. SOCKET BUTTON	4	4	
30	90202-05180	WASHER, PLATE	4	4	
31	90480-01558	GROMMET	1	1	
32	90338-10132	PLUG	1	1	
33	5PW-2177L-01	PLATE, SPRING	2	2	
34	23P-2835V-00-P1	PANEL 2	1	1	MBL2 FOR DPBMC
35	23P-28365-00	COVER	1	1	
36	90183-05M02	NUT, SPRING	4	4	
37	14B-28386-00	HEAD	4	4	
38	2TK-21757-00	WASHER, SPECIAL 1	8	8	
39	23P-8210E-01	BATTERY BOX ASSY	1	1	
40	90109-06171	BOLT	2	2	
41	95822-06016	BOLT, FLANGE	1	1	
42	90387-06153	COLLAR	1	1	
43	95802-06016	BOLT, FLANGE	1	1	
44	90387-066R8	COLLAR	1	1	
45	137-82131-01	BAND, BATTERY	1	1	
46	116-82131-00	BAND, BATTERY	1	1	
47	23P-82122-00	SEAT, BATTERY	1	1	
48	90464-50001	CLAMP	1	1	
49	90464-16006	CLAMP	1	1	
50	23P-28396-00	PLATE 1	1	1	
51	90387-06184	COLLAR	1	1	
52	5TH-21268-01	SEAL	1	1	
53	90338-06018	PLUG	3	3	
54	90269-06008	RIVET	2	2	

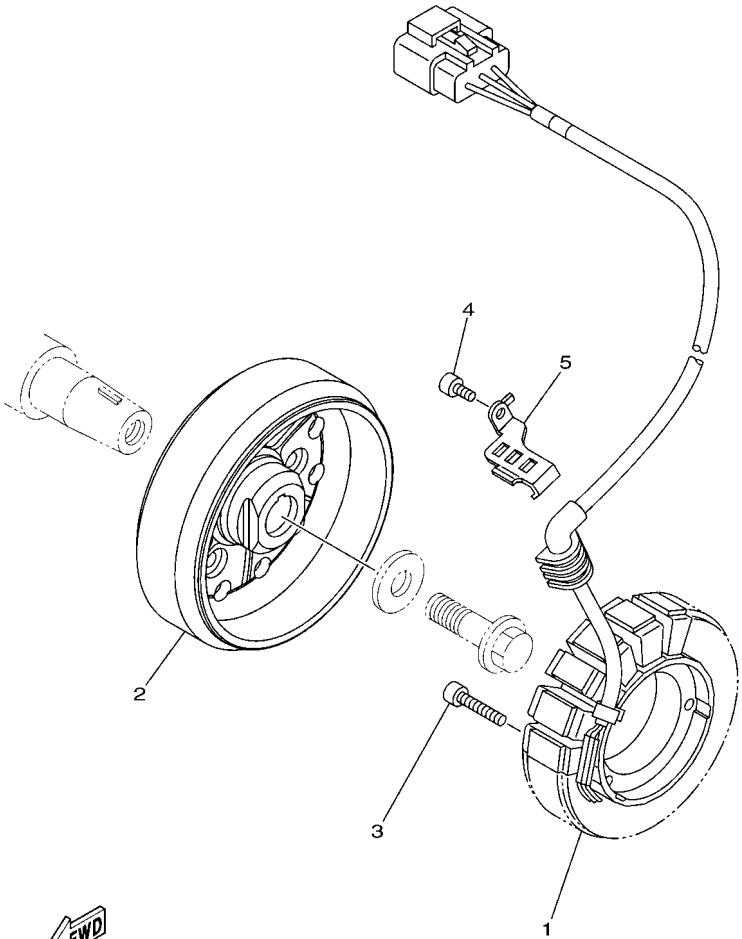


**FIG. 39 COWLING**



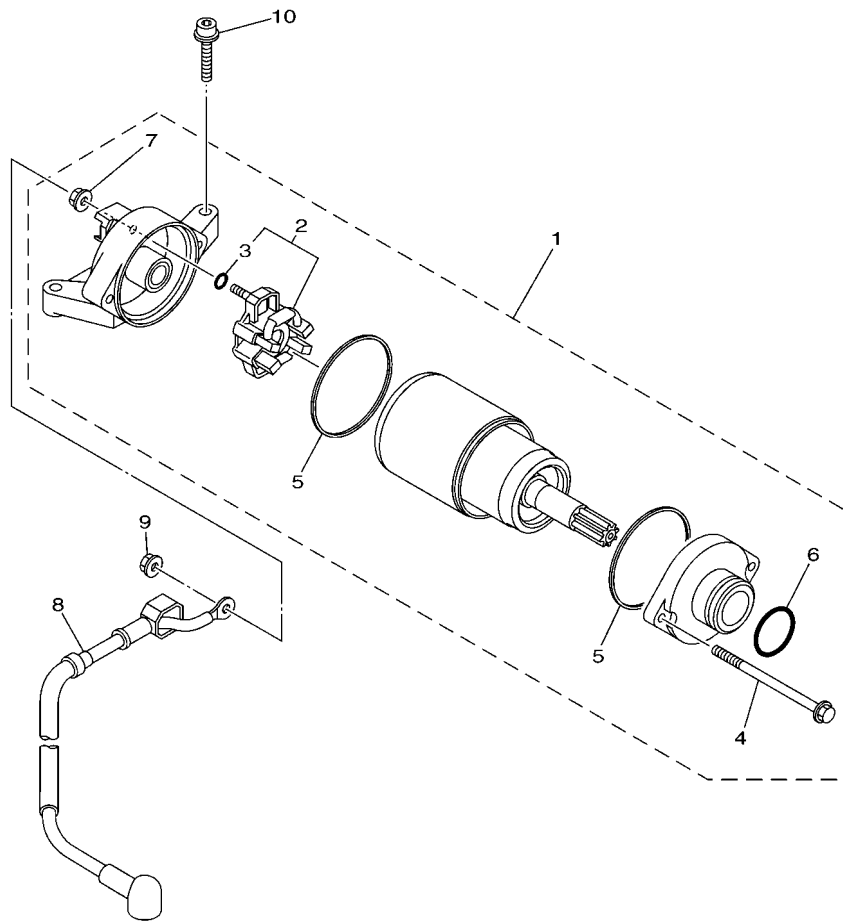
REF. NO.	PART NO.	DESCRIPTION	BP94	BP95	REMARKS
55	90111-06038	BOLT,HEX. SOCKET BUTTON	1	1	
56	90464-34002	CLAMP	1	1	
57	90464-20021	CLAMP	1	1	
58	23P-28321-00	STAY 1	1	1	
59	97702-50016	SCREW, TAPPING	1	1	
60	5PW-2177L-01	PLATE, SPRING	2	2	
61	90183-05076	NUT, SPRING	4	4	
62	90269-06008	RIVET	2	2	
63	23P-2834V-00	PROTECTOR 1	1	1	
64	92012-08030	BOLT, BUTTON HEAD	2	2	
65	90201-08043	WASHER, PLATE	2	2	
66	23P-2834W-00	PROTECTOR 2	1	1	
67	92012-08030	BOLT, BUTTON HEAD	2	2	
68	90201-08043	WASHER, PLATE	2	2	
69	5YU-2411B-01	EMBLEM	1	1	
70	5YU-2411B-01	EMBLEM	1	1	
71	BP8-28391-10	GRAPHIC 1	1	1	
72	BP8-28392-10	GRAPHIC 2	1	1	
73	BP8-28315-10	EMBLEM	1	1	
74	BP8-28315-10	EMBLEM	1	1	
75	BP8-28393-00	GRAPHIC 3	1	1	
76	BP8-28394-00	GRAPHIC 4	1	1	
77	BP8-2839B-00	EMBLEM 3D	1	1	
78	BP8-2839B-00	EMBLEM 3D	1	1	

**FIG. 40 GENERATOR**



  
23P1300-J400

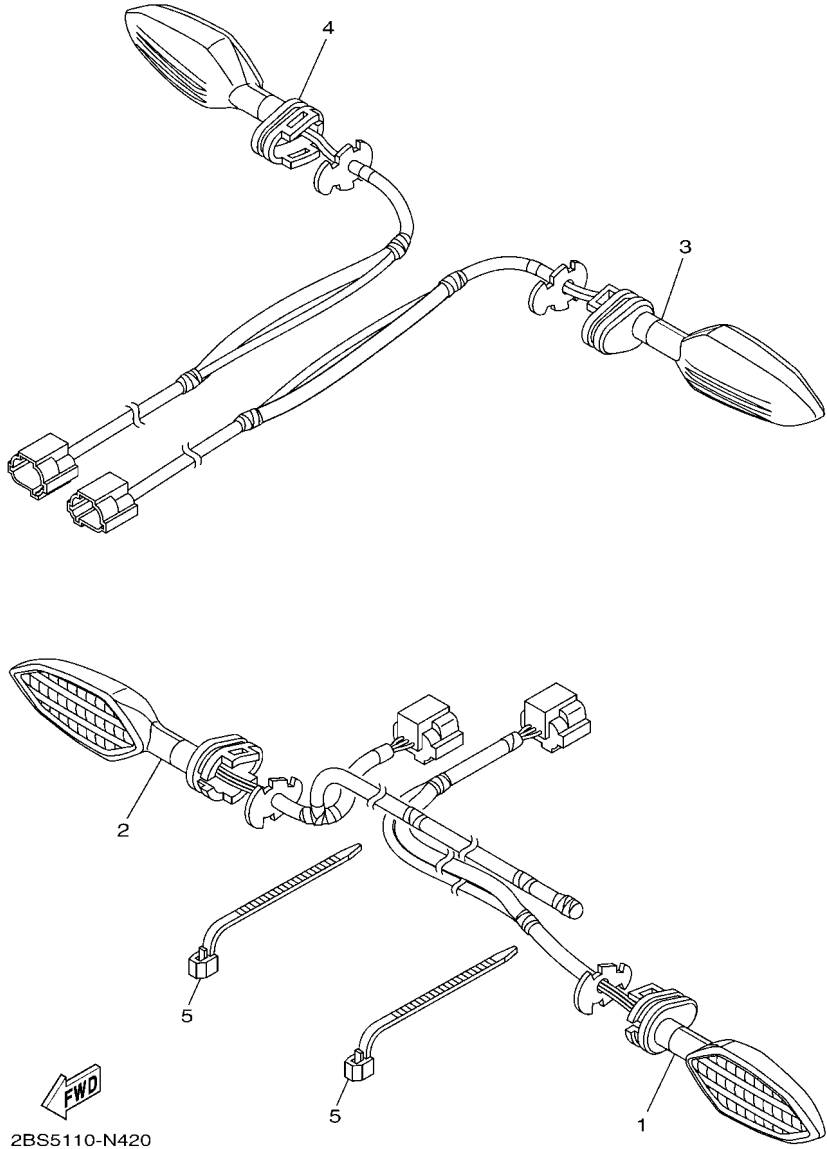
REF. NO.	PART NO.	DESCRIPTION	BP94	BP95	REMARKS
1	23P-81410-00	STATOR ASSY	1	1	
2	23P-81450-00	ROTOR ASSY	1	1	
3	90110-06177	BOLT, HEXAGON SOCKET HEAD	3	3	
4	90110-06182	BOLT, HEXAGON SOCKET HEAD	1	1	
5	23P-15484-00	CLAMP 2	1	1	
<hr/>					
<hr/>					
<hr/>					
<hr/>					
<hr/>					
<hr/>					
<hr/>					
<hr/>					
<hr/>					



  
 23P1300-J410

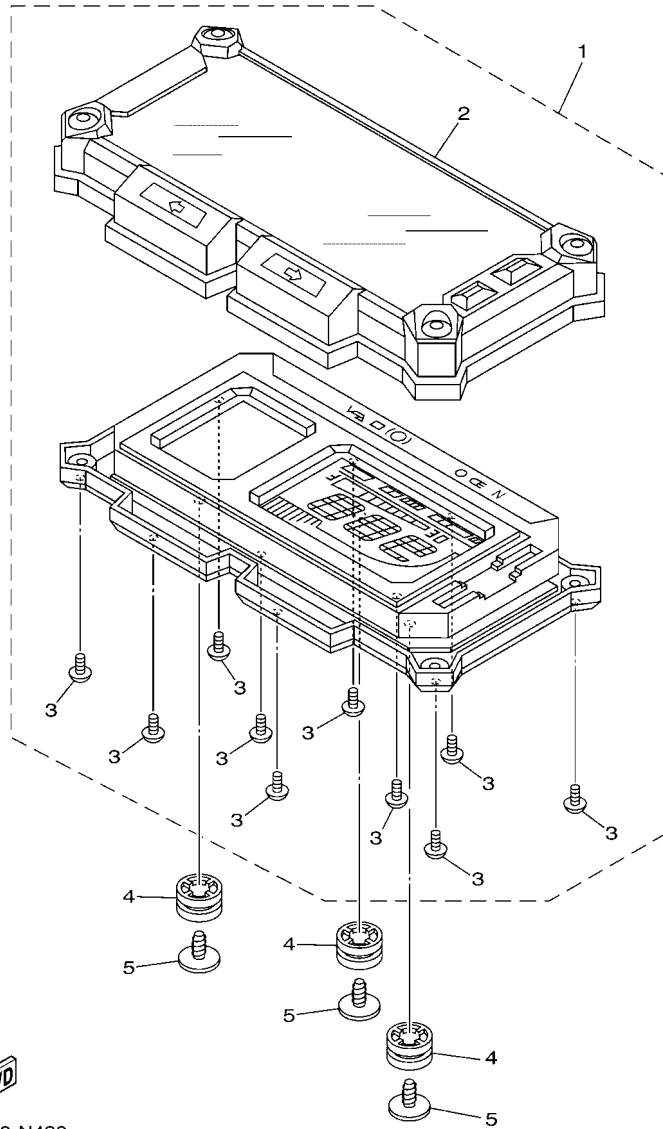
**FIG. 41 STARTING MOTOR**

REF. NO.	PART NO.	DESCRIPTION	BP94	BP95	REMARKS
1	23P-81890-00	MOTOR ASSY	1	1	
2	4B5-81840-00	.BRUSH HOLDER ASSY	1	1	
3	3TB-81847-00	.O-RING	1	1	
4	18P-81826-00	.BOLT	2	2	
5	4B5-81844-00	.GASKET	2	2	
6	1FK-81847-00	.O-RING	1	1	
7	4XV-8182A-00	.NUT	1	1	
8	23P-81815-00	CORD, STARTER MOTOR	1	1	
9	4XV-8182A-00	NUT	1	1	
10	90110-06349	BOLT, HEXAGON SOCKET HEAD	2	2	



**FIG. 42 FLASHER LIGHT**

REF. NO.	PART NO.	DESCRIPTION	BP94	BP95			REMARKS
			1	1			
1	2BS-83310-10	FRONT FLASHER LIGHT ASSY 1	1	1			
2	2BS-83320-10	FRONT FLASHER LIGHT ASSY 2	1	1			
3	2BS-83330-10	REAR FLASHER LIGHT ASSY 1	1	1			
4	2BS-83340-10	REAR FLASHER LIGHT ASSY 2	1	1			
5	90464-13073	CLAMP	2	2			
-----							
-----							
-----							
-----							
-----							
-----							
-----							
-----							
-----							

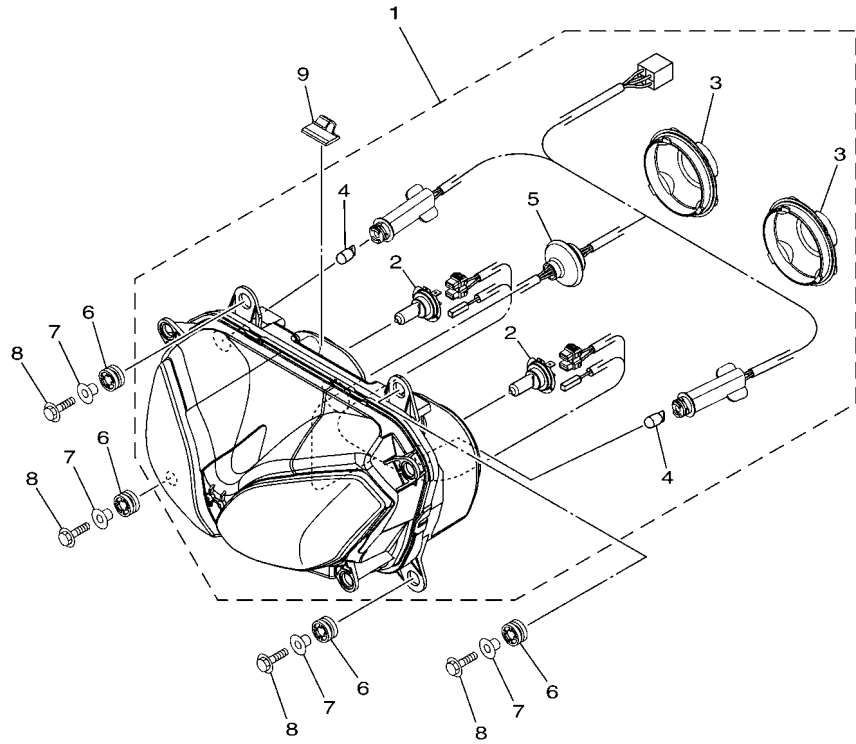


  
2BS1300-N430

**FIG. 43 METER**

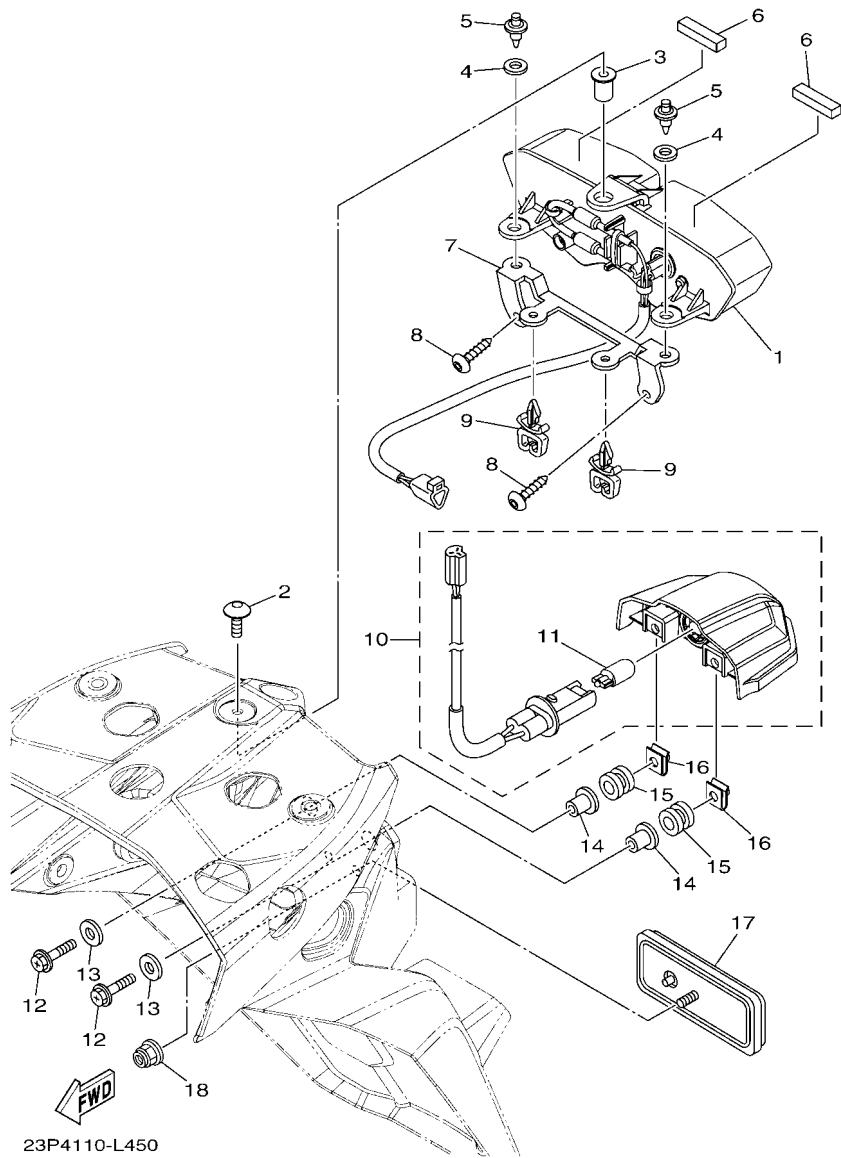
REF. NO.	PART NO.	DESCRIPTION	BP94	BP95			REMARKS
1	2KB-83500-21	METER ASSY	1	1			
2	2BS-8353E-01	.CASE, METER UPPER	1	1			
3	5PW-8352S-00	.SCREW, PANEL FTING	10	10			
4	4XV-83513-00	DAMPER	3	3			
5	90164-05001	SCREW, TAPPING	3	3			

**FIG. 44 HEADLIGHT**



REF. NO.	PART NO.	DESCRIPTION	BP94	BP95	REMARKS
1	2BS-84300-00	HEADLIGHT ASSY	1	1	
2	5PS-84314-00	.BULB (12V-55W H7)	2	2	HALOGEN
3	14B-84396-00	.COVER	2	2	
4	5DM-84347-00	.BULB (12V-5W)	2	2	
5	2BS-84312-00	.CORD ASSY	1	1	
6	4XV-83513-00	DAMPER	4	4	
7	90387-065G0	COLLAR	4	4	
8	95807-06025	BOLT, FLANGE	4	4	
9	90464-10012	CLAMP	1	1	

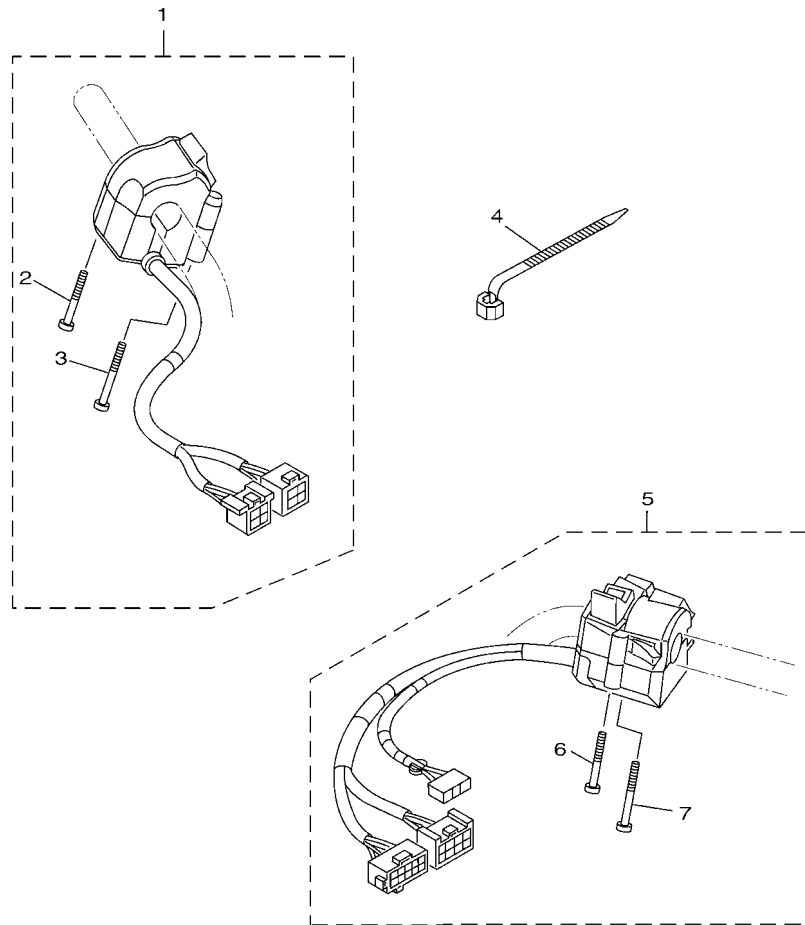
  
23P1300-J440



**FIG. 45 TAILLIGHT**

REF. NO.	PART NO.	DESCRIPTION	BP94	BP95	REMARKS
1	23P-84710-10	TAILLIGHT UNIT ASSY	1	1	
2	90111-05021	BOLT,HEX. SOCKET BUTTON	1	1	
3	90179-05523	NUT	1	1	
4	5SL-84753-00	DAMPER	2	2	
5	90269-06001	RIVET	2	2	
6	5PS-28217-00	DAMPER 1	2	2	
7	23P-84519-00	BRACKET, TAILLIGHT	1	1	
8	97702-50016	SCREW, TAPPING	2	2	
9	90464-11121	CLAMP	2	2	
10	23P-84745-00	LICENCE LIGHT UNIT ASSY	1	1	
11	5DM-84347-00	.BULB (12V-5W)	1	1	
12	90105-05005	BOLT, FLANGE	2	2	
13	90201-054K4	WASHER, PLATE	2	2	
14	90387-05052	COLLAR	2	2	
15	90480-11009	GROMMET	2	2	
16	90183-05076	NUT, SPRING	2	2	
17	3Y6-85130-02	REAR REFLECTOR ASSY	1	1	
18	95604-05200	NUT, U FLANGE	1	1	

**FIG. 46 HANDLE SWITCH & LEVER**



REF. NO.	PART NO.	DESCRIPTION	BP94	BP95	REMARKS
1	2BS-83963-00	SWITCH, HANDLE 3	1	1	
2	98507-05035	.SCREW, PAN HEAD	1	1	
3	98507-05045	.SCREW, PAN HEAD	1	1	
4	90464-13073	CLAMP	5	5	
5	2BS-83954-00	SWITCH, HANDLE 7	1	1	
6	98507-05040	.SCREW, PAN HEAD	1	1	
7	98507-05055	.SCREW, PAN HEAD	1	1	

**FWD**  
2BS1300-N460



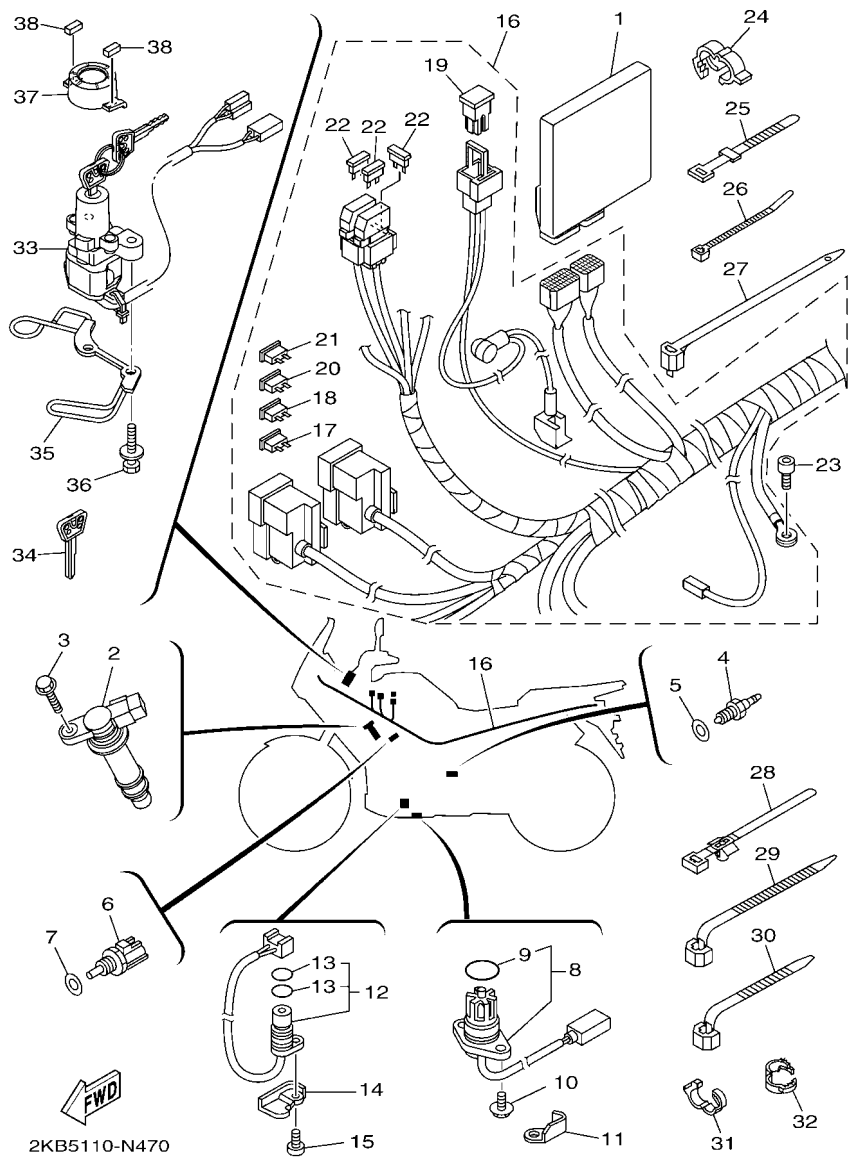


FIG. 47 ELECTRICAL 1

REF. NO.	PART NO.	DESCRIPTION	BP94	BP95	REMARKS
1	2BS-8591A-30	ENGINE CONTROL UNIT ASSY	1	1	
2	23P-82310-00	IGNITION COIL ASSY	4	4	
3	90105-06198	BOLT, FLANGE	4	4	
4	3GB-82540-01	NEUTRAL SWITCH ASSY	1	1	
5	90430-10148	GASKET	1	1	
6	5YP-85790-00	THERMOSENSOR ASSY	1	1	
7	90201-12790	WASHER, PLATE	1	1	
8	23P-85720-00	OIL LEVEL GAUGE ASSY	1	1	
9	5VY-8A8E0-00	.O-RING	1	1	
10	95022-06016	BOLT, FLANGE	2	2	
11	90465-10040	CLAMP	1	1	
12	23P-81670-00	PICK-UP ASSY	1	1	
13	5VY-8A8E1-00	.O-RING 1	2	2	
14	23P-15589-00	PLATE	1	1	
15	90110-06161	BOLT, HEXAGON SOCKET HEAD	1	1	
16	2KB-82590-10	WIRE HARNESS ASSY	1	1	
17	5JJ-82151-00	.FUSE (7.5A-BL)	6	6	
18	5JJ-82151-20	.FUSE (20A-BL)	7	7	
19	5JW-82151-10	.FUSE (50A)	1	1	
20	5JJ-82151-10	.FUSE (15A-BL)	2	2	
21	5JJ-82151-50	.FUSE (3A-BL)	2	2	
22	1MC-82151-00	.FUSE (1A-BL)	3	3	
23	91312-06012	BOLT, HEXAGON SOCKET HEAD	1	1	
24	90464-16003	CLAMP	3	3	
25	437-83936-01	BAND, SWITCH CORD	2	2	
26	90465-10098	CLAMP	5	5	
27	90464-55001	CLAMP	1	1	

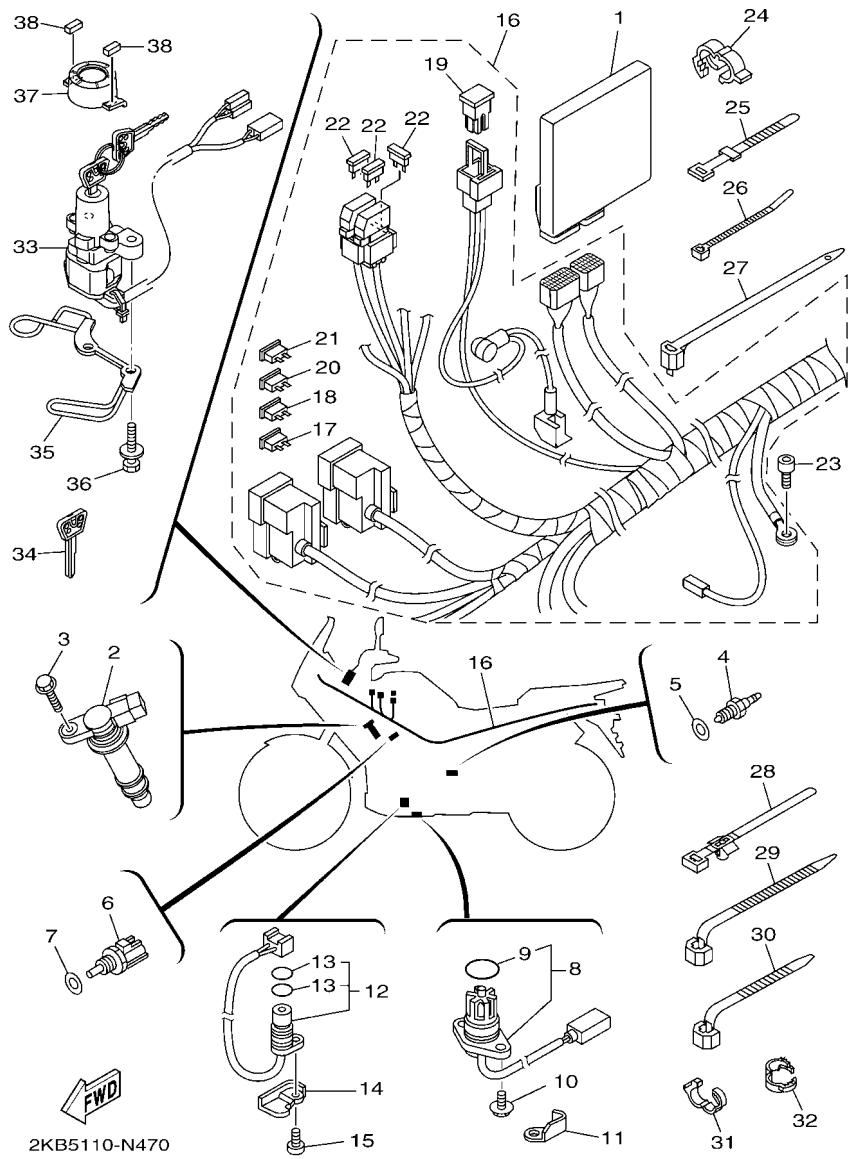
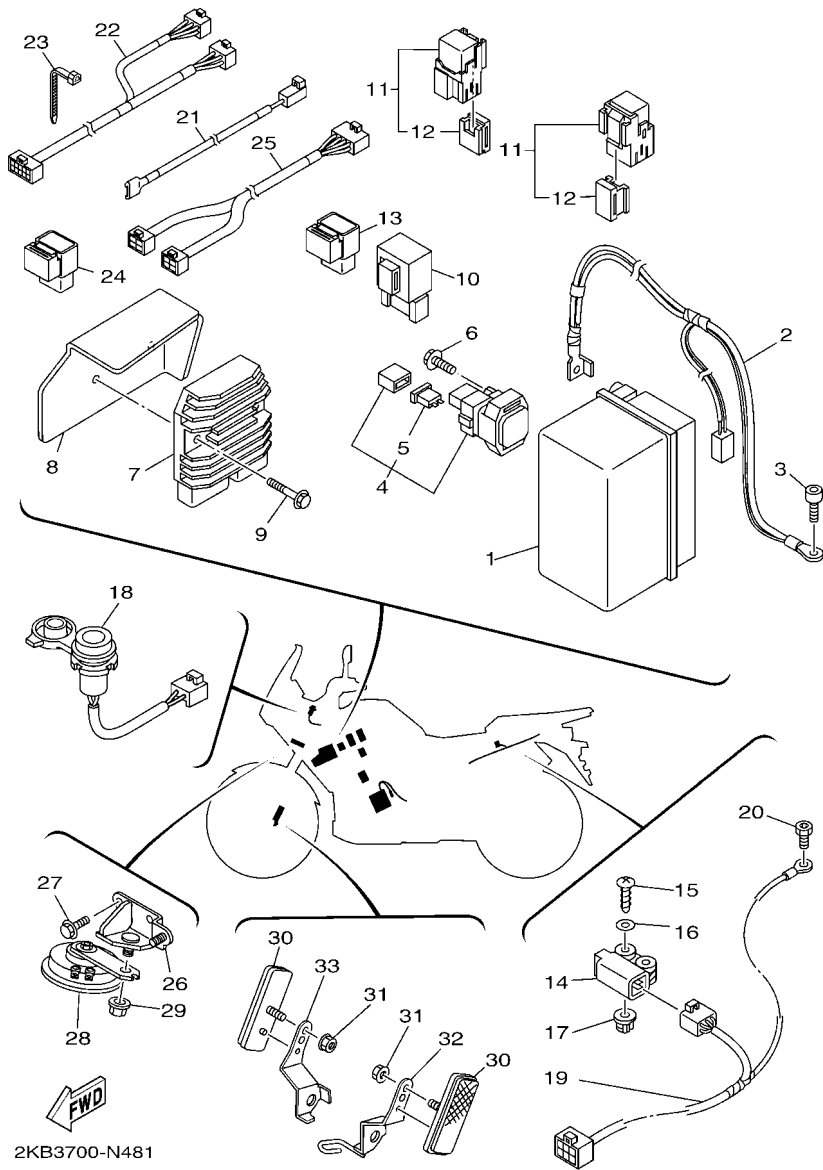


FIG. 47 ELECTRICAL 1

REF. NO.	PART NO.	DESCRIPTION	BP94	BP95	REMARKS
28	90464-34002	CLAMP	4	4	
29	90464-15195	CLAMP	1	1	
30	90464-13073	CLAMP	2	2	
31	90464-26001	CLAMP	2	2	
32	90464-16003	CLAMP	2	2	
33	2BS-82501-10	MAIN SWITCH STEERING LOCK	1	1	
34	4BH-82511-09	BLANK KEY	1	1	AP
35	2BS-23389-00	GUIDE, CABLE	1	1	
36	90109-08195	BOLT	2	2	
37	3P6-82568-00	COVER, MAIN SWITCH	1	1	
38	3C3-28372-00	DAMPER	2	2	



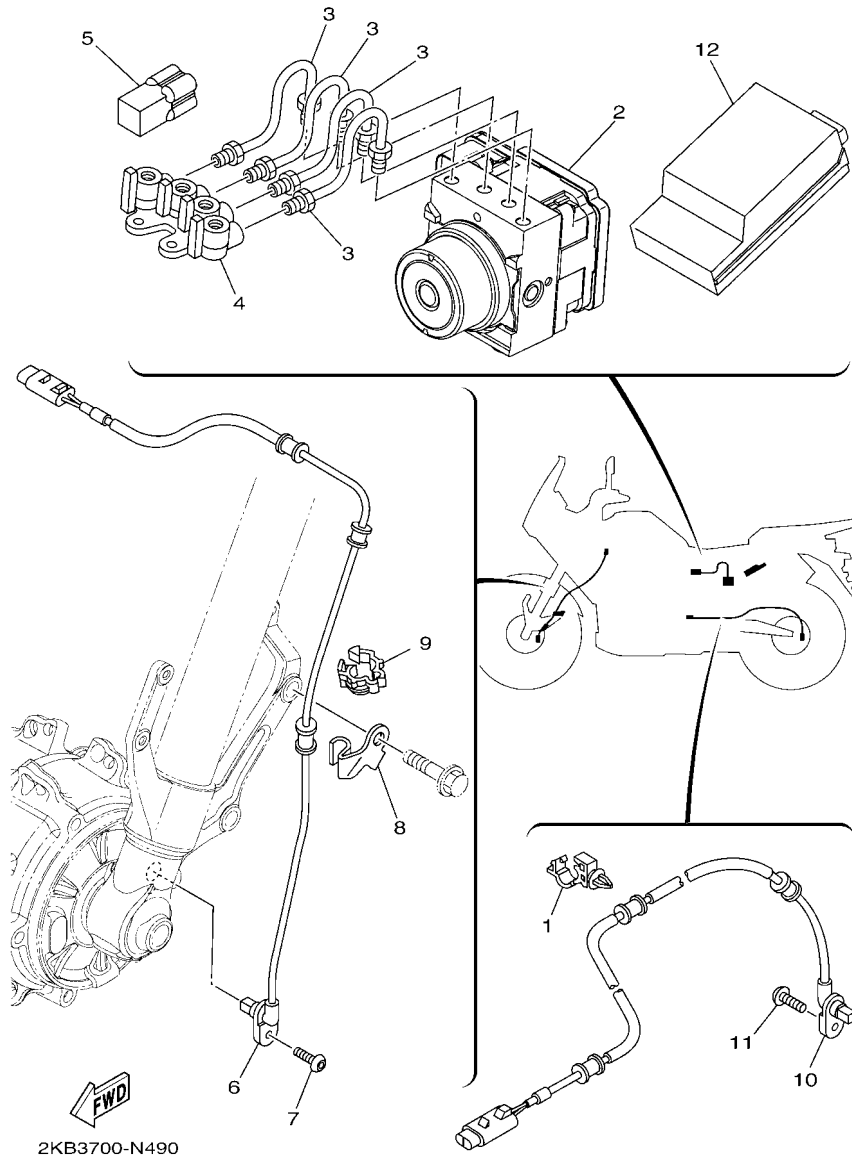
2KB3700-N481

FIG. 48 ELECTRICAL 2

REF. NO.	PART NO.	DESCRIPTION	BP94	BP95	REMARKS
1	23P-82100-00	BATTERY ASSY (GS YUASA YTZ12S)	1	1	
2	23P-82116-00	WIRE, MINUS LEAD	1	1	
3	91312-06012	BOLT, HEXAGON SOCKET HEAD	1	1	
4	4YR-81940-02	STARTER RELAY ASSY (RC19-018)	1	1	
5	1AE-82151-00	.FUSE (30A-BL)	2	2	
6	95022-06008	BOLT, FLANGE	2	2	
7	1D7-81960-01	RECTIFIER & REGULATOR ASSY	1	1	
8	23P-81975-00	PLATE, RECTIFIER FITTING	1	1	
9	95802-06030	BOLT, FLANGE	2	2	
10	5VK-81950-40	RELAY ASSY (5VK-40)	1	1	
11	1ST-81950-00	RELAY ASSY (1ST-00)	2	2	
12	5JJ-81952-00	.HOLDER, RELAY	1	1	
13	5JJ-81950-10	RELAY ASSY (G8HN-1C4T-DJ-Y51)	1	1	
14	5VU-82576-01	SENSOR, LEAN ANGLE	1	1	
15	97702-40025	SCREW, TAPPING	2	2	
16	90201-04030	WASHER, PLATE	2	2	
17	4B4-84334-00	NUT, ADJUSTING	2	2	
18	23P-8254B-00	TERMINAL COMP.	1	1	
19	23P-82509-00	WIRE, SUB LEAD	1	1	
20	90153-06044	SCREW, HEXAGON	1	1	
21	23P-82541-00	WIRE, LEAD	1	1	
22	2KB-82509-00	WIRE, SUB LEAD	1	1	
23	90464-15195	CLAMP	1	1	
24	5DM-81950-00	RELAY ASSY (G8HN-1C4T-DJ-Y52)	1	1	
25	2KB-82509-10	WIRE, SUB LEAD	1	1	
26	2BS-8332P-00	STAY, HORN	1	1	
27	90105-06181	BOLT, FLANGE	2	2	



**FIG. 49 ELECTRICAL 3**



REF. NO.	PART NO.	DESCRIPTION	BP94	BP95	REMARKS
1	90464-10008	CLAMP	1	1	
2	23P-85930-19	HYDRAULIC UNIT ASSY	1	1	
3	23P-25871-00	PIPE, BRAKE	4	4	
4	23P-25885-00	JOINT	1	1	
5	3YA-82378-00	CONNECTOR	1	1	
6	23P-85970-00	WHEEL SENSOR ASSY, FRONT	1	1	
7	92014-06014	BOLT, BUTTON HEAD	1	1	
8	23P-23318-00	WIRE, HOLDER 1	1	1	
9	90464-12013	CLAMP	2	2	
10	23P-85980-00	WHEEL SENSOR ASSY, REAR	1	1	
11	92014-06014	BOLT, BUTTON HEAD	1	1	
12	2KB-85902-00	SUSPENSION CONTROL UNIT ASSY	1	1	

NUMERICAL INDEX

PART NO.	REF. NO.	PART NO.	REF. NO.	PART NO.	REF. NO.	PART NO.	REF. NO.	PART NO.	REF. NO.	PART NO.	REF. NO.
2BS-11101-09	1 - 1	3LD-12168-60	4 - 10	23P-12588-00	7 - 11	2BS-1471P-00	22 - 22	23P-16181-00	15 - 19	23P-17537-30	17 - 21
5VY-1111G-00	1 - 22	3LD-12168-80	4 - 10	3D8-12675-00	7 - 16	23P-1473K-10	11 - 8	3P6-16183-00	15 - 18	23P-17537-40	17 - 21
23P-11133-10	1 - 2	3LD-12168-A0	4 - 10	3D8-12675-00	8 - 18	23P-1474K-10	11 - 11	5YU-16321-00	15 - 11	23P-17537-50	17 - 21
2BS-11165-00	1 - 18	3LD-12168-F0	4 - 10	23P-13300-00	8 - 1	5YU-14757-00	11 - 19	5JW-16321-10	15 - 9	23P-17551-00	17 - 14
23P-11166-10	9 - 25	3LD-12168-H1	4 - 10	23P-13414-00	8 - 28	2BS-1475P-00	22 - 18	2H7-16325-00	15 - 7	23P-17556-00	17 - 11
23P-11169-00	1 - 19	3LD-12168-K1	4 - 10	23P-13416-00	8 - 14	5GM-14766-00	11 - 12		15 - 10	23P-17571-00	17 - 9
23P-11181-00	1 - 15	3LD-12168-M1	4 - 10	23P-13417-00	8 - 20	2BS-1476P-00	22 - 19	4XV-16331-00	15 - 6	2H7-17590-00	24 - 28
2BS-11190-01	1 - 16	3LD-12168-R1	4 - 10	23P-13421-00	8 - 23	23P-14777-00	11 - 26	5JW-16334-00	15 - 14	23P-17687-00	17 - 18
23P-11193-00	1 - 17	3LD-12168-U1	4 - 10	5GH-13440-60	8 - 6	2BS-1477P-00	22 - 20	36Y-16335-00	15 - 13	23P-17687-10	17 - 18
214-11198-01	24 - 27	3LD-12168-W1	4 - 10	23P-13447-00	8 - 24	23P-14798-00	11 - 13	132-16346-00	19 - 2	23P-17687-20	17 - 18
	24 - 36	3LD-12168-Y1	4 - 10	23P-13449-00	8 - 25	2BS-1479P-00	22 - 21	23P-16350-00	15 - 12	23P-17687-30	17 - 18
23P-11311-01	2 - 2	3LD-12169-11	4 - 10	23P-13461-00	8 - 8	23P-14862-00	9 - 23	1TX-16352-00	15 - 15	23P-17687-40	17 - 18
23P-1131M-00	2 - 4	3LD-12169-31	4 - 10	63P-13532-00	10 - 13	23P-15100-09	12 - 1	4KG-16356-00	15 - 25	23P-17687-50	17 - 18
23P-11351-00	2 - 3	3LD-12169-50	4 - 10	8FP-13556-00	10 - 6	23P-15118-00	12 - 26	23P-16357-00	15 - 23	23P-18101-02	19 - 4
23P-11400-00	3 - 1	3LD-12169-70	4 - 10	23P-13581-00	9 - 11	23P-15128-00	12 - 7	23P-16371-00	15 - 3	23P-18110-00	19 - 15
2S3-11413-00	3 - 17	3LD-12169-90	4 - 10	23P-13586-00	9 - 1	2UJ-15138-00	12 - 3	23P-16381-00	15 - 30	23P-18112-00	19 - 24
2S3-11413-10	3 - 17	3LD-12169-E0	4 - 10	23P-13596-00	9 - 3	4H7-15138-00	12 - 2	36Y-16383-00	15 - 5	1W6-18113-00	19 - 16
2S3-11413-20	3 - 17	3LD-12169-U0	4 - 10	2BS-13750-00	10 - 1	23P-15155-00	8 - 11	36Y-16384-00	15 - 4	2GV-18115-00	19 - 21
2S3-11413-30	3 - 17	3LD-12169-J0	4 - 10	2BS-13750-20	10 - 1	23P-15156-00	12 - 14	2H7-16385-00	15 - 8	1D7-18127-00	19 - 3
23P-11416-00	3 - 6	3LD-12169-L0	4 - 10	23P-13761-00	10 - 4	36Y-15189-00	12 - 9	3P6-16587-00	15 - 17	2C0-18140-00	19 - 7
23P-11416-10	3 - 6	3LD-12169-N0	4 - 10	23P-13907-00	27 - 16	4H7-15189-00	12 - 11	5S7-17121-00	16 - 11	2C0-18144-00	19 - 1
23P-11416-20	3 - 6	3LD-12169-T0	4 - 10	23P-1393A-00	10 - 2	3LD-15191-00	12 - 24	23P-17131-00	16 - 6	2C0-18175-00	19 - 6
23P-11416-30	3 - 6	23P-12170-00	5 - 1	23P-13971-00	27 - 22	23P-15199-00	13 - 7	23P-17151-00	16 - 3	23P-18511-10	18 - 2
23P-11416-40	3 - 6	23P-12176-00	5 - 2	2C0-14105-00	10 - 16	23P-15316-00	13 - 9	23P-17161-00	16 - 8	23P-18512-10	18 - 3
23P-11500-01	3 - 14	23P-12181-00	5 - 4	8A7-14139-00	10 - 14	2H7-15361-00	12 - 22	23P-17211-00	16 - 27	23P-18513-10	18 - 4
23P-11510-01	3 - 15	2BS-12210-01	5 - 11	5PS-14147-00	10 - 5	3F9-15362-10	13 - 20	23P-17221-00	16 - 16	23P-18531-00	18 - 5
23P-11583-00	3 - 16	14B-12213-00	5 - 12	23P-14159-00	9 - 17	23P-15411-00	13 - 1	23P-17231-00	16 - 24	2C0-18535-00	18 - 6
2BS-11603-00	3 - 11	23P-12233-00	5 - 16	895-14169-00	10 - 15	23P-15415-00	13 - 26	23P-17241-00	16 - 21	23P-18536-00	18 - 8
2BS-11631-00	3 - 10	23P-12247-00	5 - 6	2C0-14216-00	10 - 8	23P-15421-01	13 - 8	23P-17251-00	16 - 25	23P-18540-00	18 - 1
4WM-11633-00	3 - 12	23P-12251-00	5 - 14	5FL-14216-00	10 - 11	23P-15431-10	13 - 22	23P-17261-00	16 - 19	23P-18562-00	18 - 9
23P-11650-00	3 - 2	23P-12252-00	5 - 15	8CC-14216-10	10 - 9	23P-15451-00	13 - 2	23P-17401-00	16 - 1	23P-21110-00	20 - 1
23P-11654-00	3 - 3	23P-12257-00	5 - 7	23P-14410-00	9 - 6	23P-15455-00	13 - 27	23P-17402-00	16 - 14	23P-21116-00	20 - 7
23P-11656-00	3 - 5	23P-12280-00	5 - 5	23P-14421-00	9 - 7	23P-15461-00	13 - 16	23P-17446-00	17 - 23	2BS-2111A-00	20 - 18
23P-11656-10	3 - 5	23P-12288-00	5 - 8	3D7-1442H-00	22 - 29	23P-15462-00	13 - 23	23P-17521-00	17 - 6	23P-2117K-00	28 - 13
23P-11656-20	3 - 5	23P-12405-01	7 - 15	23P-1443E-00	9 - 16	23P-15484-00	40 - 5	23P-17524-00	17 - 1	2KB-21190-10	20 - 2
23P-11656-30	3 - 5	23P-12410-00	7 - 1	23P-14451-00	9 - 8	23P-15491-00	13 - 30	23P-17527-00	17 - 3	5TH-21268-01	39 - 52
23P-12111-00	4 - 1	23P-12413-00	7 - 2	23P-14452-00	9 - 13	23P-15492-00	13 - 10	23P-17528-00	17 - 2	2BS-21318-00	20 - 15
23P-12113-00	4 - 4	23P-12420-01	6 - 1	23P-14453-00	9 - 9	23P-15515-00	14 - 1	23P-17529-00	17 - 20	2KB-21339-00	21 - 36
2BS-12114-00	4 - 5	23P-12422-01	6 - 3	23P-14462-00	9 - 14	23P-15521-00	14 - 6	23P-17530-00	17 - 4	23P-2137U-00	39 - 1
23P-12116-00	4 - 3	23P-12428-00	6 - 4	23P-14463-00	9 - 10	23P-15560-00	14 - 7	23P-17531-00	17 - 17	23P-2137V-00	7 - 25
23P-12117-00	4 - 6	5VK-12438-00	6 - 8	23P-14465-00	10 - 18	23P-15589-00	47 - 14	23P-17531-10	17 - 17	5JW-2139X-00	9 - 18
3LD-12118-00	4 - 7	23P-12450-00	6 - 2	4XY-14568-00	10 - 20	4NK-15590-00	14 - 2	23P-17531-20	17 - 17	23P-21414-00	20 - 8
51Y-12119-00	4 - 8	23P-12461-00	7 - 14	2BS-14610-00	11 - 1	23P-15645-00	15 - 28	23P-17531-30	17 - 17	23P-21424-00	20 - 9
23P-12121-00	4 - 2	22W-12462-00	7 - 17	4FM-14613-00	11 - 17	23P-15650-00	14 - 5	23P-17531-40	17 - 17	3YX-2143A-00	20 - 19
23P-12153-09	4 - 9	23P-12483-00	7 - 9	23P-14628-00	11 - 2	23P-15771-00	13 - 33	23P-17531-50	17 - 17	23P-21495-00	20 - 13
3LD-12168-00	4 - 10	23P-12564-00	6 - 20	23P-14703-10	11 - 6	23P-15772-00	13 - 35	23P-17537-00	17 - 21	23P-21511-00-P6	21 - 1
3LD-12168-20	4 - 10	23P-12576-00	7 - 4	5VY-14714-00	11 - 16	2BS-16150-00	15 - 1	23P-17537-10	17 - 21	2BS-21578-00	21 - 8
3LD-12168-40	4 - 10	23P-12578-00	7 - 7	2BS-14718-00	22 - 13	5YU-16154-00	15 - 2	23P-17537-20	17 - 21	23P-2160E-00	21 - 9

NUMERICAL INDEX

PART NO.	REF. NO.	PART NO.	REF. NO.	PART NO.	REF. NO.	PART NO.	REF. NO.	PART NO.	REF. NO.	PART NO.	REF. NO.
23P-21639-00	21 - 24	2KB-23111-00	25 - 16	5YU-2411B-01	39 - 70	2S3-2517G-00	29 - 5	23P-2582W-00	32 - 1	2BS-26246-00	33 - 18
2KB-2163A-00	21 - 21		25 - 34	23P-2413Y-00	27 - 13		31 - 6	23P-2583V-00	37 - 8		33 - 29
23P-21642-00	21 - 33	2KB-23117-00	25 - 18	23P-2413Y-00	20 - 20	4XV-25181-10	29 - 16	23P-2584B-00	34 - 15	2BS-26280-00	33 - 12
23P-21649-00	21 - 30		25 - 36	5FX-24170-00	27 - 35	23P-25183-00	29 - 14	23P-2584C-00	34 - 25	2BS-26281-00	33 - 6
23P-21652-00	21 - 10	2KB-23118-00	25 - 14	2C0-24180-00	27 - 36		31 - 23	2C0-25852-00	37 - 26	2BS-26282-00	33 - 7
5PS-21668-10	21 - 43		25 - 32	22W-24181-00	11 - 7	23P-25186-00	29 - 12	5VS-25852-00	34 - 3	2BS-26290-00	33 - 13
34B-21684-00	21 - 45	2KB-23120-00	25 - 21	23P-24181-00	27 - 15	23P-25304-00	31 - 9	5YU-25852-50	35 - 6	2BS-26302-00	33 - 4
23P-21685-10	21 - 25	4KM-23123-01	26 - 9	23P-24183-00	27 - 11	23P-25311-00	31 - 1	20S-25854-00	34 - 5	2C0-26326-00	37 - 30
5RU-21686-00	21 - 44	5EB-23125-00	25 - 5	23P-24188-00	27 - 2	23P-25317-00	31 - 5	2VN-25854-00	37 - 27	5VS-26332-00	34 - 10
1J7-21717-00	36 - 59		25 - 23	23P-24188-10	27 - 3	5JW-25319-00	31 - 14	5YU-25854-50	35 - 5	5YU-26332-00	35 - 15
2KB-2171L-00	23 - 50	2BS-23136-20	25 - 2	2D1-24192-00	27 - 18	5JW-25364-00	31 - 13	2VN-25855-00	37 - 28	2BS-26383-00	38 - 14
2KB-21721-00-PO	22 - 26		25 - 20	23P-2419F-00	27 - 31	23P-25366-00	31 - 10	5VS-25855-00	34 - 4	5YU-26393-10	35 - 14
23P-2172P-10	28 - 24	2KB-23141-00	25 - 13	23P-24313-00	27 - 47	23P-25371-00	23 - 56	5YU-25855-50	35 - 7	23P-2639F-00	34 - 22
23P-2173P-00	28 - 25		25 - 31	23P-24314-00	27 - 39	23P-25377-00	31 - 12	2VN-25866-00	37 - 17	2BS-26401-00	35 - 1
5XT-21746-00	39 - 12	4PU-23144-00	25 - 9	23P-24315-00	27 - 40	23P-2537A-00	31 - 22	5VS-25867-00	34 - 11	2BS-26402-00	35 - 2
4D9-21747-00	7 - 23		25 - 27	23P-24316-00	27 - 41	23P-25381-00	31 - 18	23P-2586G-00	37 - 12	3GM-26455-00	35 - 4
4FU-21747-00	7 - 24	4PU-23145-01	25 - 7	23P-24318-00	27 - 24	23P-25398-00	29 - 10	23P-2586H-00	37 - 16	5YU-26464-00	35 - 3
2D1-2174Y-00	39 - 4		25 - 25		27 - 46		31 - 17	23P-25871-00	49 - 3	23P-26470-00	35 - 16
2TK-21757-00	39 - 38	4V4-23146-L0	25 - 6	19B-24486-01	27 - 20	4SV-25802-00	30 - 8	23P-25872-00	34 - 33	23P-26475-00	34 - 28
2BS-2175P-00	36 - 63		25 - 24	39P-24602-00	27 - 27		30 - 20	23P-25875-00	25 - 41	23P-26481-00	35 - 19
5PW-2177L-01	39 - 33	39P-23147-00	25 - 17	23P-24708-00	28 - 14	4SV-25802-10	30 - 6	23P-2587A-00	37 - 47	23P-26482-00	34 - 23
	39 - 60		25 - 35	23P-2470J-00-P1	28 - 29		30 - 18	23P-25885-00	49 - 4	23P-27111-00	36 - 15
23P-21816-00	22 - 5	4V4-23153-L0	25 - 8	23P-2470K-00-P1	28 - 33	3GM-25803-10	30 - 7	23P-25886-00	37 - 44	128-27114-00	36 - 14
26H-21828-00	22 - 4		25 - 26	2KB-24710-00	28 - 1		30 - 19	23P-2588F-00	34 - 26	23P-27114-00	36 - 21
23P-21871-00	22 - 1	509-23158-L0	25 - 11	2KB-24711-00	28 - 2	3MA-25803-10	30 - 9	23P-2588G-00	34 - 18	371-27114-00	28 - 5
23P-21875-00	22 - 3		25 - 29	23P-24718-00	28 - 3		30 - 21	14B-25894-00	37 - 25	23P-27116-00	36 - 18
23P-21877-00	22 - 6	2KB-23170-00	25 - 28	3KJ-24723-00	21 - 13	2C0-25805-00	30 - 10	2KB-25895-00	37 - 33	23P-27116-10	36 - 19
23P-2191B-00	20 - 17	2KB-23170-10	25 - 10	23P-24736-00	28 - 30		30 - 22	23P-2589F-00	35 - 10	23P-27200-00	37 - 1
23P-22110-00	23 - 1	5EB-23171-00	25 - 4		28 - 34	2D1-25807-00	34 - 2	23P-2589F-10	34 - 7	5XC-27217-90	37 - 2
23P-22128-00	23 - 8		25 - 22	23P-24737-00	28 - 28	23P-2580A-00	34 - 1	5VS-2589H-00	34 - 6	4SS-27218-00	37 - 14
23P-22141-00	23 - 2	278-23181-50	25 - 12	4D9-24741-00	21 - 12	23P-2580T-10	30 - 5	5JW-25914-10	32 - 7	23P-27222-00	37 - 13
23P-22163-00	23 - 4		25 - 30	23P-24747-00	21 - 29	23P-2580U-10	30 - 17	13S-25919-00	30 - 11	3KW-27234-00	37 - 15
2KB-2217A-00	23 - 11	23P-23318-00	49 - 8	23P-2474F-00	28 - 17	23P-2580W-00	32 - 4		30 - 23	2BS-27311-00	36 - 1
23P-2217H-00	23 - 27	23P-23340-00	25 - 38	2KB-24750-00	28 - 15	23P-2581A-10	32 - 3	5JW-25919-00	32 - 10	23P-27316-00	36 - 3
2KB-2217M-00	23 - 12	2BS-23357-00	26 - 7	2KB-24751-00	28 - 16	23P-2581J-00	37 - 40	4SV-25924-00	30 - 12	23P-27321-00	36 - 2
23P-22184-00	23 - 6	3LC-23357-00	25 - 15	23P-2475H-00	28 - 8	23P-2581K-00	37 - 41		30 - 24	23P-27322-00	36 - 12
23P-22189-00	23 - 31		25 - 33	4BP-24780-00	28 - 7	23P-2581T-00	30 - 1	3GM-25925-00	30 - 13	2KB-27333-00	36 - 54
5JW-2219X-00	23 - 32	2BS-23389-00	47 - 35	23P-2478E-00	28 - 10		30 - 3		30 - 25	23P-27412-00	36 - 41
2KB-22210-10	23 - 34	23P-23416-00	26 - 2	2TV-24799-00	28 - 11	1J3-25824-00	30 - 14	4TT-25937-00	32 - 8	23P-27413-00	36 - 27
5RM-22216-00	23 - 35	4GY-23418-00	26 - 6	23P-24841-10	28 - 37	5GM-25824-00	32 - 12	5VS-25975-00	30 - 28	4D9-27413-00	36 - 34
24X-22261-00	23 - 52	4XV-2341B-00	21 - 32	23P-24842-10	28 - 23	5VS-25824-00	30 - 26	2BS-26111-00	33 - 1		36 - 46
2KB-22262-00	23 - 51	5VK-23434-00	26 - 11	2BS-24847-00	26 - 17	1UY-25824-51	15 - 31	23P-26141-01	33 - 14	2BS-27422-00	36 - 62
2KB-22324-00	23 - 41	2BS-23435-00	26 - 10	2BS-24848-00	26 - 18	1D7-25825-00	32 - 13	23P-26142-01	33 - 25	36Y-27424-01	11 - 23
2KB-22325-00	23 - 39	2BS-23441-00	26 - 13	23P-24884-00	28 - 41	306-25825-01	30 - 15	23P-26223-00	33 - 15	23P-27430-10	36 - 32
2KB-22538-00	37 - 34	2BS-2344A-00	26 - 14	23P-25104-00	29 - 8		30 - 27	23P-26224-00	33 - 26	5RT-27431-00	36 - 33
2KB-23102-20	25 - 1	23P-24104-01	27 - 4	23P-25111-00	29 - 1	1UY-25825-51	15 - 32	23P-2622A-00	33 - 22	2BS-27432-00	37 - 22
2KB-23103-20	25 - 19	23P-24105-00	27 - 17	23P-25117-00	29 - 2	5JW-25827-00	32 - 11	23P-2622E-00	33 - 33	4BP-27434-01	19 - 17
2KB-23110-00	25 - 3	5YU-2411B-01	39 - 69	23P-2517A-00	29 - 13	4ML-2582A-50	37 - 11	2KB-2622K-00	33 - 10	5VX-27437-00	36 - 38

NUMERICAL INDEX

PART NO.	REF. NO.	PART NO.	REF. NO.	PART NO.	REF. NO.	PART NO.	REF. NO.	PART NO.	REF. NO.	PART NO.	REF. NO.
5VX-27437-00	36 - 50	2BS-28381-00	38 - 1	23P-81673-00	3 - 18	5VU-82576-01	48 - 14	2BS-8591A-30	47 - 1	90110-05028	27 - 21
23P-27440-00	36 - 44	14B-28386-00	39 - 37	23P-81815-00	41 - 8	2KB-82590-10	47 - 16	2BS-8592A-00	11 - 4	90110-05031	23 - 28
5RT-27441-00	36 - 45	BP8-28391-10	39 - 71	23P-81815-00	41 - 4	1MC-82917-01	35 - 12	2BS-8592A-10	11 - 5	90110-05112	27 - 28
23P-27445-10	36 - 24	BP8-28392-10	39 - 72	4XV-8182A-00	41 - 7	2KB-82960-00	33 - 3	23P-85930-19	49 - 2	90110-06140	15 - 33
2BS-27446-00	37 - 23	BP8-28393-00	39 - 75		41 - 9	2KB-82963-00	33 - 2	23P-85970-00	49 - 6	90110-06161	8 - 13
23P-27451-00	36 - 22	BP8-28394-00	39 - 76	4B5-81840-00	41 - 2	2BS-83310-10	42 - 1	23P-85980-00	49 - 10		12 - 8
23P-27461-00	36 - 26	23P-28396-00	39 - 50	4B5-81844-00	41 - 5	2BS-83320-10	42 - 2	5VY-8A8E0-00	47 - 9		47 - 15
23P-27491-00	36 - 56	23P-28397-00	38 - 30	1FK-81847-00	41 - 6	2BS-8332P-00	48 - 26	5VY-8A8E1-00	47 - 13	90110-06177	40 - 3
23P-2749A-00	36 - 57	BP8-2839B-00	39 - 77	3TB-81847-00	41 - 3	2BS-83330-10	42 - 3	23P-W0042-50	37 - 9	90110-06182	5 - 17
23P-2749B-00	36 - 58		39 - 78	2BS-81860-00	10 - 17	2BS-83340-10	42 - 4	1D7-W0046-00	32 - 9		40 - 4
23P-27911-00	37 - 46	2BS-283M3-00	38 - 33	23P-81890-00	41 - 1	2BS-83371-00	48 - 28	5JW-W0047-00	32 - 6	90110-06202	21 - 4
23P-28100-00	20 - 21	23P-2842M-00-P6	39 - 14	4YR-81940-02	48 - 4	2KB-83500-21	43 - 1	1D7-W0057-00	32 - 5	90110-06208	12 - 28
4B5-2815K-00	38 - 60	23P-2842N-00-P6	39 - 28	1ST-81950-00	48 - 11	4XV-83513-00	43 - 4	23P-Y2410-00-07	27 - 1	90110-06229	1 - 12
23P-2815T-10	28 - 46	23P-46101-00	24 - 1	5DM-81950-00	48 - 24		44 - 6	90105-05005	45 - 12	90110-06345	8 - 16
23P-28164-00	28 - 6	1J7-46117-Y0-25	24 - 10	5JJ-81950-10	48 - 13	5J0-83513-00	23 - 44	90105-06027	1 - 5	90110-06347	8 - 10
23P-2816J-10	28 - 45	1J7-46117-Y0-30	24 - 10	5VK-81950-40	48 - 10	5PW-8352S-00	43 - 3	90105-06066	13 - 36	90110-06349	13 - 28
23P-2816K-10	28 - 44	1J7-46117-Y0-40	24 - 10	5JJ-81952-00	48 - 12	2BS-8353E-01	43 - 2	90105-06181	48 - 27		41 - 10
	28 - 47	1J7-46117-Y0-50	24 - 10	1D7-81960-01	48 - 7	2BS-83559-00	38 - 40	90105-06191	15 - 16	90110-06351	6 - 12
29P-2816R-00	27 - 30	22U-46118-00-12	24 - 20	23P-81975-00	48 - 8	5YU-83912-11	35 - 9	90105-06198	47 - 3	90110-06375	13 - 5
5PS-28217-00	45 - 6	22U-46118-00-14	24 - 20	23P-82100-00	48 - 1	5VS-83922-00	34 - 9	90105-06201	1 - 20	90110-06381	11 - 14
1HX-28227-00	38 - 34	22U-46118-00-16	24 - 20	23P-8210E-01	39 - 39	437-83936-01	47 - 25	90105-07006	5 - 3	90110-06387	13 - 4
14B-28237-00	22 - 28	22U-46118-00-18	24 - 20	23P-82116-00	48 - 2	2BS-83954-00	46 - 5		5 - 9	90110-06388	13 - 18
BP8-28315-10	39 - 73	22U-46118-00-20	24 - 20	1S3-82122-00	22 - 27	2BS-83963-00	46 - 1	90105-08234	17 - 22	90110-06395	2 - 6
	39 - 74	2S3-46119-00	24 - 9	23P-82122-00	39 - 47	2BS-83980-00	34 - 12	90105-085A5	38 - 26	90110-08007	23 - 57
2BS-2831E-00	38 - 13	2S3-46119-10	24 - 9	116-82131-00	39 - 46	2BS-84300-00	44 - 1	90105-10075	20 - 10	90110-10010	36 - 13
2BS-2831R-00	38 - 16	2S3-46119-20	24 - 9	2D1-82131-00	21 - 22	2BS-84312-00	44 - 5	90105-10153	3 - 19	90111-05002	39 - 24
2BS-2831U-00	38 - 5	2S3-46119-30	24 - 9	137-82131-01	39 - 45	5PS-84314-00	44 - 2	90105-10175	20 - 11	90111-05003	39 - 18
23P-28321-00	39 - 58	2S3-46119-40	24 - 9	1AE-82151-00	48 - 5	4B4-84334-00	48 - 17	90105-102A6	36 - 4		39 - 26
2BS-2832U-00	38 - 6	2S3-46119-50	24 - 9	1MC-82151-00	47 - 22	5DM-84347-00	44 - 4	90105-10378	23 - 21		39 - 29
23P-28336-00	38 - 29	2S3-46119-60	24 - 9	5JJ-82151-00	47 - 17		45 - 11	90105-10380	20 - 12	90111-05021	38 - 18
23P-28344-00	38 - 31	2S3-46119-70	24 - 9	5JJ-82151-10	47 - 20	4WM-84366-00	23 - 43	90105-105A7	30 - 16		45 - 2
2BS-28349-00	38 - 15	23P-46122-00	24 - 32	5JW-82151-10	47 - 19	14B-84396-00	44 - 3		30 - 29	90111-05031	33 - 24
23P-2834V-00	39 - 63	23P-46123-00	24 - 15	5JJ-82151-20	47 - 18	23P-84519-00	45 - 7	90105-12005	3 - 9		33 - 35
23P-2834W-00	39 - 66	23P-46125-00	24 - 12	5JJ-82151-50	47 - 21	23P-84710-10	45 - 1	90105-12077	20 - 6	90111-06038	22 - 23
23P-28356-01	38 - 23	23P-46152-00	24 - 18	23P-82310-00	47 - 2	23P-84745-00	45 - 10	90109-06100	12 - 18		38 - 21
23P-2835G-00	38 - 20	23P-46153-00	24 - 3	3YA-82378-00	49 - 5	23P-84751-00	21 - 38	90109-06171	39 - 40		39 - 55
23P-2835U-00-P1	39 - 17	1FK-46156-00	24 - 29	2C0-82380-00	10 - 7	5SL-84753-00	45 - 4	90109-06182	23 - 48	90111-06051	21 - 27
23P-2835V-00-P1	39 - 34	1FK-46157-00-15	24 - 30	2BS-82501-10	47 - 33	11H-85110-01	48 - 30	90109-06208	21 - 19		38 - 44
23P-28365-00	39 - 35	1FK-46157-00-20	24 - 30	23P-82509-00	48 - 19	23P-85112-01	48 - 32	90109-06264	36 - 60		38 - 50
2BS-28365-00	38 - 53	23P-4615A-00	24 - 37	2KB-82509-00	48 - 22	23P-85122-01	48 - 33	90109-066F0	1 - 21	90111-06063	21 - 5
8GC-2836B-02	38 - 59	23P-46171-00	24 - 38	2KB-82509-10	48 - 25	3Y6-85130-02	21 - 41	90109-08174	36 - 23	90111-06137	39 - 6
23P-2836K-00	39 - 23	23P-46180-00	24 - 43	4BH-82511-09	47 - 34		45 - 17	90109-08195	47 - 36	90111-08037	37 - 24
3C3-28372-00	47 - 38	23P-46187-00	24 - 45	2BS-82530-00	37 - 6	23P-85720-00	47 - 8	90109-085G6	36 - 43	90111-08074	28 - 38
5PS-28373-01	38 - 27	23P-461A0-00	24 - 8	3GB-82540-01	47 - 4	5YP-85790-00	47 - 6		36 - 53	90111-08075	13 - 13
4D9-2837K-00	20 - 3	2S3-46862-00	24 - 33	23P-82541-00	48 - 21	1MC-85884-00	10 - 12	90109-10028	23 - 36	90111-08076	28 - 39
23P-2837L-00	38 - 41	23P-81410-00	40 - 1	23P-8254B-00	48 - 18	13S-85885-00	10 - 10	90109-10057	36 - 16		28 - 42
23P-2837M-00	38 - 47	23P-81450-00	40 - 2	23P-82566-60	36 - 9	8FP-85886-00	9 - 19	90109-14008	23 - 13	90111-10054	28 - 32
23P-2837V-00	39 - 20	23P-81670-00	47 - 12	3P6-82568-00	47 - 37	2KB-85902-00	49 - 12	90109-14009	23 - 15		28 - 36



NUMERICAL INDEX

PART NO.	REF. NO.	PART NO.	REF. NO.	PART NO.	REF. NO.	PART NO.	REF. NO.	PART NO.	REF. NO.	PART NO.	REF. NO.
90116-10055	24 - 2	90179-05523	45 - 3	90201-086P8	33 - 32	90269-06008	39 - 25	90387-07042	39 - 7	90450-67003	9 - 21
90119-06044	7 - 26	90179-06403	21 - 35	90201-08784	19 - 20		39 - 54	90387-08079	22 - 33	90450-69001	9 - 2
90119-06137	21 - 34		28 - 9	90201-08784	23 - 37		39 - 62	90387-08080	38 - 45		9 - 4
	22 - 2	90179-06520	38 - 22	90201-10043	11 - 25	90269-06081	21 - 23		38 - 51	90462-08084	6 - 17
90119-06172	9 - 29	90179-08410	11 - 18	90201-10045	24 - 23		22 - 30	90387-08089	33 - 19	90462-08085	13 - 29
90119-06200	27 - 7	90179-09379	3 - 4	90201-10051	36 - 6		38 - 39		33 - 30	90462-08089	13 - 6
90119-10051	12 - 13	90179-10028	20 - 14	90201-10065	3 - 20	90269-07011	37 - 45	90387-082W9	11 - 20	90462-08095	6 - 13
90119-12003	1 - 11	90179-20007	15 - 22	90201-10118	35 - 18	90280-05029	3 - 7	90387-087L0	22 - 14	90462-10059	6 - 19
90149-05029	29 - 6	90179-20015	17 - 13	90201-101J1	36 - 8	90338-05056	9 - 24	90387-10020	36 - 7	90464-07262	35 - 22
	31 - 7		24 - 17	90201-10626	26 - 19	90338-06018	39 - 53	90387-10102	22 - 16	90464-07M20	33 - 5
90149-06043	30 - 2	90179-28011	26 - 4	90201-12013	19 - 19	90338-08163	26 - 16	90387-10104	23 - 22	90464-07M40	22 - 8
	30 - 4	90179-44001	17 - 7	90201-121H0	3 - 8	90338-10132	38 - 32	90387-10105	23 - 25	90464-07M56	22 - 11
90149-06082	16 - 12	90183-05076	39 - 5	90201-123F2	38 - 12		39 - 16	90387-10636	11 - 24	90464-08008	22 - 10
90149-06121	28 - 26		39 - 15	90201-12575	19 - 13		39 - 32	90387-106W6	8 - 31	90464-09129	22 - 12
90149-06158	13 - 11		39 - 61	90201-12790	47 - 7	90338-16262	12 - 5	90387-12050	27 - 12	90464-09M31	27 - 44
	24 - 34		45 - 16	90201-127E1	19 - 10	90338-28239	21 - 31	90387-13005	8 - 4	90464-10008	49 - 1
90149-06159	8 - 26	90183-05M02	39 - 22	90201-14027	23 - 19	90338-30267	23 - 33	90387-14014	23 - 14	90464-10012	44 - 9
90149-06176	8 - 27		39 - 36	90201-177G4	19 - 8	90340-12001	8 - 21	90387-14015	23 - 16	90464-10233	37 - 51
90149-06177	18 - 10	90183-060A1	38 - 25	90201-18013	31 - 20	90340-12007	1 - 6	90387-25008	16 - 26	90464-11121	45 - 9
90149-06185	13 - 25	90183-060A6	21 - 16	90201-22014	31 - 19	90340-14002	24 - 26	90387-25023	16 - 7	90464-12013	37 - 52
90149-06308	28 - 12		38 - 42	90201-224L4	16 - 28	90340-14004	24 - 35	90387-28003	16 - 2		49 - 9
90149-06328	13 - 37		38 - 48	90201-25019	26 - 8	90340-32004	13 - 14	90387-28004	16 - 20	90464-13012	27 - 26
	27 - 8	90183-08060	28 - 18	90201-27014	17 - 19	90386-07MA2	38 - 7	90387-31003	16 - 15	90464-13073	42 - 5
90149-08024	32 - 2	90185-10012	36 - 5	90201-282R3	26 - 3	90387-05017	33 - 17	90401-10038	34 - 35		46 - 4
90149-08030	14 - 3	90185-14010	23 - 20	90201-29M01	24 - 40		33 - 28	90401-10172	34 - 16		47 - 30
90149-08050	17 - 24	90185-18009	31 - 21	90201-350F3	14 - 4	90387-05021	33 - 23		34 - 31	90464-14M55	22 - 9
90149-08051	24 - 24	90185-22009	23 - 3	90202-05180	38 - 3		33 - 34		34 - 34	90464-15014	27 - 38
90149-10003	20 - 4	90201-04030	48 - 16		38 - 37	90387-05028	37 - 29		35 - 17	90464-15195	47 - 29
90149-10055	24 - 22	90201-054K4	37 - 32		39 - 19	90387-05035	23 - 30		37 - 42		48 - 23
90151-06024	12 - 25		45 - 13		39 - 27	90387-05052	45 - 14	90401-20008	8 - 7	90464-16003	37 - 7
90153-06044	48 - 20	90201-06021	38 - 10		39 - 30	90387-06023	37 - 37	90430-06014	6 - 11		47 - 24
90154-05011	38 - 2	90201-06025	23 - 54	90202-07015	38 - 8	90387-06033	9 - 28	90430-08119	1 - 14		47 - 32
	38 - 36	90201-06072	27 - 9	90202-28216	26 - 5	90387-06048	38 - 43		12 - 21	90464-16005	27 - 23
90157-03122	33 - 11	90201-06095	7 - 22	90206-12074	19 - 18		38 - 49	90430-08143	13 - 12	90464-16006	39 - 49
90157-05079	36 - 35	90201-06112	22 - 25	90208-20001	15 - 21	90387-06066	22 - 35	90430-10005	34 - 17	90464-17003	37 - 39
	36 - 47	90201-061A5	38 - 54		17 - 12	90387-06153	39 - 42		34 - 32	90464-18002	21 - 7
90159-04011	35 - 13	90201-062A8	21 - 39		24 - 16	90387-06184	39 - 51		34 - 36	90464-20010	21 - 15
90160-05013	9 - 15	90201-06778	21 - 28	90209-25011	16 - 4	90387-06200	38 - 56		37 - 43		35 - 21
90164-05001	23 - 45	90201-07081	23 - 49	90209-28008	16 - 17	90387-06256	7 - 20	90430-10148	47 - 5	90464-20021	21 - 14
	43 - 5	90201-08034	11 - 21	90214-25003	16 - 10	90387-06264	28 - 27	90430-12072	38 - 11		39 - 57
90170-06228	19 - 22	90201-08043	24 - 31	90214-25004	16 - 9	90387-06265	13 - 32	90430-12213	8 - 22	90464-23199	13 - 34
90176-06016	38 - 58		39 - 65	90214-28002	16 - 23		21 - 3	90445-07030	6 - 15	90464-23239	37 - 50
90176-06047	13 - 38		39 - 68	90214-29002	16 - 22	90387-06266	27 - 6	90445-19003	36 - 20	90464-26001	47 - 31
	22 - 24	90201-08044	37 - 19	90240-08120	37 - 18	90387-062L2	27 - 33	90450-35001	7 - 5	90464-30001	34 - 19
90176-10075	24 - 50	90201-08048	28 - 40	90267-40076	21 - 11	90387-065G0	44 - 7		7 - 8	90464-34002	39 - 56
90179-05003	38 - 4		28 - 43	90269-05001	27 - 37	90387-06648	21 - 26		7 - 12		47 - 28
	38 - 38	90201-08060	37 - 3	90269-06001	45 - 5	90387-066R8	39 - 44	90450-38003	7 - 6	90464-50001	39 - 48
90179-05523	38 - 19	90201-086P8	33 - 21	90269-06008	39 - 13	90387-067K8	23 - 42		7 - 13	90464-55001	47 - 27

NUMERICAL INDEX

PART NO.	REF. NO.	PART NO.	REF. NO.	PART NO.	REF. NO.	PART NO.	REF. NO.	PART NO.	REF. NO.	PART NO.	REF. NO.
90465-08062	13 - 19	90520-10006	39 - 2	92014-05014	33 - 16	93306-00006	14 - 9	95022-06010	34 - 20	95812-08080	12 - 16
90465-10040	47 - 11	90520-10007	39 - 3		33 - 27	93306-00106	6 - 6		35 - 20	95812-08110	27 - 10
90465-10098	47 - 26	91312-05010	27 - 29	92014-05014	49 - 7	93306-00521	31 - 11	95022-06016	34 - 29	95812-12025	20 - 16
90467-070A0	6 - 16	91312-05020	37 - 31		49 - 11	93306-07208	29 - 3		47 - 10	95814-08040	11 - 15
90467-08075	22 - 7	91312-06012	47 - 23	92017-05020	36 - 10		31 - 3	95022-06025	34 - 21		11 - 22
90467-09006	10 - 19		48 - 3	92017-06016	38 - 9	93306-20464	16 - 13		34 - 30	95822-06016	39 - 41
	27 - 25	91312-06020	7 - 3	92902-04600	34 - 14	93306-20724	24 - 11	95022-08012	1 - 13	95822-06020	19 - 25
	27 - 42		9 - 5	92902-05200	23 - 29	93306-20901	17 - 5	95022-08016	12 - 20	95822-08016	38 - 46
	27 - 48	91312-06025	5 - 13	92902-10200	28 - 31	93306-27212	31 - 2	95022-08040	25 - 39		38 - 52
	27 - 43		8 - 30		28 - 35	93306-28204	16 - 30	95024-06025	6 - 5	95824-06010	7 - 10
90467-10008	37 - 38	91312-08030	26 - 12	92902-10600	23 - 10	93306-37215	16 - 29	95304-06700	19 - 23	95824-06016	6 - 18
90467-120A3	9 - 27		26 - 15	92990-06200	11 - 10	93310-33560	15 - 20	95602-06100	21 - 40	97702-40025	48 - 15
90467-140A4	9 - 26	91312-10040	23 - 9	92990-10600	24 - 51	93311-43729	24 - 5	95602-06200	21 - 6	97702-50014	39 - 21
90467-15168	9 - 12	91314-06012	6 - 14	93101-12173	6 - 7	93311-62597	24 - 6		28 - 4	97702-50016	39 - 59
90467-180A1	37 - 4	91314-08040	25 - 37	93102-12106	19 - 12	93315-31759	23 - 23	95602-08200	23 - 58		45 - 8
90468-16191	22 - 17	91317-05020	33 - 9	93102-32480	24 - 4	93315-32057	23 - 17	95602-10200	20 - 5	97707-50520	9 - 20
90480-01025	23 - 40	91317-05025	33 - 8	93102-43M42	17 - 15	93316-01403	24 - 19		26 - 20	98502-04014	34 - 13
90480-01558	39 - 11	91380-06010	11 - 9	93102-50009	24 - 14	93317-11096	14 - 8		36 - 17	98502-06012	10 - 3
	39 - 31	91401-25015	36 - 31	93102-70004	24 - 25	93317-11295	19 - 11	95604-05200	45 - 18	98507-05035	46 - 2
	28 - 20		36 - 40	93106-28043	29 - 4	93317-330A0	23 - 7	95607-05200	36 - 11	98507-05040	46 - 6
90480-01559	38 - 57		36 - 52		31 - 4	93332-00078	26 - 1	95607-06100	35 - 11	98507-05045	46 - 3
90480-04166	38 - 35	91402-20012	37 - 20	93108-49003	24 - 39	93332-00081	25 - 40	95607-10200	23 - 26	98507-05055	46 - 7
90480-10003	45 - 15	91701-08040	36 - 30	93109-08061	15 - 27	93332-000A0	17 - 8	95612-08625	1 - 9	98707-04012	35 - 8
90480-11009	37 - 35	91702-08040	36 - 39	93109-17071	23 - 24	93332-000A6	17 - 10	95612-10100	23 - 38	98902-05008	27 - 19
90480-12010	21 - 2		36 - 51	93109-20076	23 - 18	93399-99963	24 - 44	95617-06100	34 - 8	98980-06008	11 - 3
90480-12072	22 - 31	91808-16023	1 - 3	93210-06422	8 - 12		24 - 47	95702-05500	48 - 31	99002-03600	38 - 17
90480-12325	36 - 61		1 - 4	93210-06632	15 - 26	93410-23056	24 - 42	95702-06500	34 - 27	99002-10600	19 - 14
	22 - 15		1 - 7	93210-07540	12 - 15	93410-29095	24 - 41		37 - 36	99009-12400	6 - 9
90480-12581	13 - 31	92012-05008	23 - 5	93210-12790	8 - 32	93440-22196	24 - 46		48 - 29	99009-17400	19 - 9
90480-12596	39 - 8		36 - 42		12 - 6		24 - 48	95704-10500	11 - 27	99530-08012	8 - 3
	27 - 32	92012-06010	23 - 53	93210-15566	8 - 5	93440-28184	16 - 5	95707-05500	21 - 42		8 - 29
90480-13018	23 - 46		34 - 24	93210-15620	37 - 10	93440-31187	16 - 18	95707-08500	38 - 28		13 - 3
90480-13027	28 - 19	92012-06012	36 - 25	93210-16275	2 - 5	93450-23167	3 - 13	95802-06012	27 - 45		13 - 24
90480-13398	9 - 22		37 - 49	93210-16325	12 - 10	93501-04011	1 - 8	95802-06014	21 - 18	99530-08016	12 - 27
90480-14329	39 - 9	92012-06014	21 - 17	93210-19003	8 - 19		36 - 37	95802-06016	39 - 43	99530-10014	12 - 4
90480-14452	7 - 19		21 - 37	93210-207A0	12 - 12		36 - 49	95802-06020	21 - 20	99530-10114	2 - 1
90480-17010	27 - 5		37 - 48	93210-23326	8 - 15	93511-32017	15 - 24		22 - 34		12 - 23
90480-18008	39 - 10	92012-06016	27 - 34	93210-24001	6 - 21	93605-23164	24 - 7		27 - 14	99590-08012	15 - 29
90480-18431	7 - 18	92012-06020	23 - 47	93210-26668	29 - 15	93610-20189	13 - 17		28 - 21		
90480-20003	18 - 7	92012-08012	23 - 55		31 - 24	93900-00030	29 - 11	95802-06025	22 - 36		
90501-080A2	36 - 36		36 - 64	93210-27370	13 - 21		31 - 16	95802-06030	48 - 9		
90501-12743	36 - 48	92012-08014	36 - 55	93210-27778	8 - 17	94111-19020	29 - 9	95802-08016	22 - 32		
	24 - 49	92012-08025	28 - 22	93210-32172	13 - 15	94115-17009	31 - 15	95807-06025	38 - 55		
90501-20122	37 - 5		33 - 20	93210-33133	6 - 10	94425-19003	29 - 7		44 - 8		
90506-20193	36 - 29		33 - 31	93210-60426	8 - 9	94440-17003	31 - 8	95812-06035	7 - 21		
90508-20041	36 - 28	92012-08030	39 - 64	93210-69628	24 - 13	94591-61150	5 - 10		8 - 2		
90508-20051	19 - 5		39 - 67	93210-82003	17 - 16	94702-00428	1 - 10	95812-06050	12 - 19		
90508-32141	38 - 24	92012-08035	37 - 21	93211-54698	24 - 21	95022-06008	48 - 6	95812-08060	12 - 17		